

QUICK START GUIDE

Models 8000 and 8200

RESIDENTIAL
STANDARD LIFT WINDLOAD

EXTENSION

PLEASE DO NOT RETURN THIS PRODUCT TO
THE STORE

If you need assistance, please call 1-866-569-3799 (press Option 1) and follow the prompts to contact a customer service representative. They will be happy to handle any questions that you may have.

QUICK START GUIDE IMPORTANT NOTICES!

This Quick Start Guide is only meant to be used as an aid and / or introduction to garage door installation, and does not replace the complete Installation Instructions and Owner's manual. Carefully read and fully understand the enclosed instructions before installing and operating the garage door. Pay close attention to all warnings and notes. After installation is complete, fasten this manual near garage door for easy reference.

The complete Installation Instructions and Owner's Manual are available at no charge from:

- Your local Wayne Dalton Sales Center
- Online at www.Wayne-Dalton.com
- By mailing a request to: Wayne Dalton, a division of Overhead Door Corporation, P.O. Box 67, Mt. Hope, OH., 44660

Table Of Contents

| | |
|--|-----------|
| PRE-INSTALLATION | 3 |
| Important Safety Instructions | 3 |
| REMOVING AN EXISTING DOOR AND PREPARING THE OPENING | 5 |
| BREAKDOWN OF DOOR COMPONENTS | 7 |
| BREAKDOWN OF COUNTERBALANCE COMPONENTS | 8 |
| INSTALLATION INSTRUCTIONS | 9 |
| Door Installation Instructions | 9 |
| Counterbalance Installation Instructions | 13 |
| OPTIONAL INSTALLATION | 18 |
| Inside Lock | 18 |
| Pull Down Rope | 18 |
| MAINTENANCE | 19 |
| Cleaning Your Garage Door | 19 |
| Painting Your Garage Door | 19 |
| Maintaining The Finish On Your Garage Door | 19 |
| Operation And Maintenance | 19 |
| WARRANTY | 21 |

Important Safety Instructions

DEFINITION OF KEY WORDS USED IN THIS MANUAL:

DANGER

INDICATES A HAZARDOUS SITUATION THAT, IF NOT AVOIDED, WILL RESULT IN DEATH OR SERIOUS INJURY.

WARNING

INDICATES A HAZARDOUS SITUATION THAT, IF NOT AVOIDED, COULD RESULT IN DEATH OR SERIOUS INJURY.

CAUTION

INDICATES A HAZARDOUS SITUATION THAT, IF NOT AVOIDED, COULD RESULT IN MINOR OR MODERATE INJURY.

NOTICE

INDICATES INFORMATION CONSIDERED IMPORTANT, THAT IT IS NOT RELATED TO INJURY, BUT MAY RESULT IN PROPERTY DAMAGE.

IMPORTANT: Required key step for proper door operation.

NOTE: Information only.

Installation:

WARNING

INSTALLING THIS DOOR PROPERLY REQUIRES THE USE OF SPECIAL TOOLS AND TECHNIQUES. ALWAYS USE THE CORRECT TOOLS OR TECHNIQUES WHEN PERFORMING INSTALLATION. FAILURE TO USE PROPER TOOLS OR TECHNIQUES OR ADHERE TO SAFETY MESSAGES, COULD RESULT IN SEVERE OR FATAL INJURY.

DANGER

EXTREME CAUTION SHOULD BE USED WHEN WINDING SPRINGS AS FAILURE TO FOLLOW THE INSTRUCTIONS OR USE THE PROPER TOOLS CAN LEAD TO SERIOUS INJURY TO PERSONS AND PROPERTY. BEFORE ATTEMPTING TO WIND THE SPRING, MAKE SURE YOU HAVE READ AND UNDERSTAND THE INSTRUCTIONS. IF YOU ARE UNCLEAR ON ANY ASPECT OF THE INSTALLATION PROCEDURES, YOU SHOULD CONSULT A TRAINED DOOR SYSTEMS TECHNICIAN.

- READ THESE INSTRUCTIONS CAREFULLY BEFORE ATTEMPTING INSTALLATION. IF YOU ARE IN QUESTION ABOUT ANY OF THE PROCEDURES, DO NOT PERFORM THE WORK. INSTEAD, HAVE A TRAINED DOOR SYSTEMS TECHNICIAN DO THE INSTALLATION OR REPAIRS.
- Wear protective gloves and eye protection during installation, to avoid possible injury.
- **DO NOT** install door in windy conditions. Door could fall during the installation, causing severe or fatal injury.
- Doors 12'-0" wide and larger should be installed by two persons, to avoid possible injury.
- On electrically operated doors, pull down ropes must be removed and locks must be removed or made inoperative in the open (unlocked) position, unless electrical interlocks are installed.
- Impact guns are not recommended. When installing 5/16" lag screws using an electric drill/ driver, the drill/ drivers clutch must be set to deliver no more than 200 in-lbs of torque. Fastener failure could occur at higher settings.
- Check with your local building official for wind load code requirements and building permit information.
- For windloaded doors, the wind performance is achieved via the entire door system and component substitution is not authorized without express permission by the manufacturer.

CAUTION



IF ANY PART OF THE DOOR IS TO BE INSTALLED ONTO PRESERVATIVE-TREATED WOOD, PTFE-COATED OR STAINLESS STEEL FASTENERS MUST BE OBTAINED AND USED. REPLACEMENT FASTENERS MUST BE OF AT LEAST EQUAL STRENGTH AND SIZE AS ORIGINAL FASTENERS. IF THE ORIGINAL FASTENER WAS RED-HEAD, THE REPLACEMENT FASTENER MUST BE RED-HEAD ALSO. CONTACT WAYNE DALTON FOR FASTENER STRENGTH VALUES IF NEEDED.

Operation:

⚠ WARNING

TO PREVENT DEATH OR SERIOUS INJURY WHILE OPERATING THE DOOR, ENSURE THE PATH OF THE DOOR IS NOT OBSTRUCTED BY ANY PERSON OR OBJECT AND ADHERE TO THE FOLLOWING SAFETY MEASURES.

- Operate door only when it is properly adjusted and free from obstructions.
- If a door becomes hard to operate, inoperative or is damaged, immediately have necessary adjustments and/ or repairs made by a trained door system technician using proper tools and instructions.
- **DO NOT** stand or walk under a moving door, or permit anybody to stand or walk under an electrically operated door.
- **DO NOT** place fingers or hands into open section joints when closing a door. Use lift handles/ gripping points when operating door manually.
- **DO NOT** permit children to operate garage door or door controls. Severe or fatal injury could result should the child become entrapped between the door and the floor.
- Visually inspect door and hardware monthly for worn and or broken parts. Check to ensure door operates freely. Test electric opener's safety features monthly, following opener manufacturer's instructions.
- **NEVER** hang tools, bicycles, hoses, clothing or anything else from horizontal tracks. Track systems are not intended or designed to support extra weight.

| Potential Hazard | Effect | Prevention |
|--|---|---|
|  Moving door | <p>⚠ WARNING</p> Could result in Death or Serious Injury | Keep people clear of opening while Door is moving. Do NOT allow children to play with the Door Opener. Do NOT operate a Door that jams or one that has a broken spring. |
|  High tension spring | <p>⚠ DANGER</p> Will result in Death or Serious Injury | Do NOT try to remove, install, repair or adjust springs or anything to which door spring parts are fastened, such as, wood blocks, steel brackets, cables or other like items. Installations, repairs and adjustments must be done by a trained door system technician using proper tools and instructions. |

IMPORTANT: RIGHT and LEFT hand is determined inside the building looking out.

REMOVING AN EXISTING DOOR AND PREPARING THE OPENING

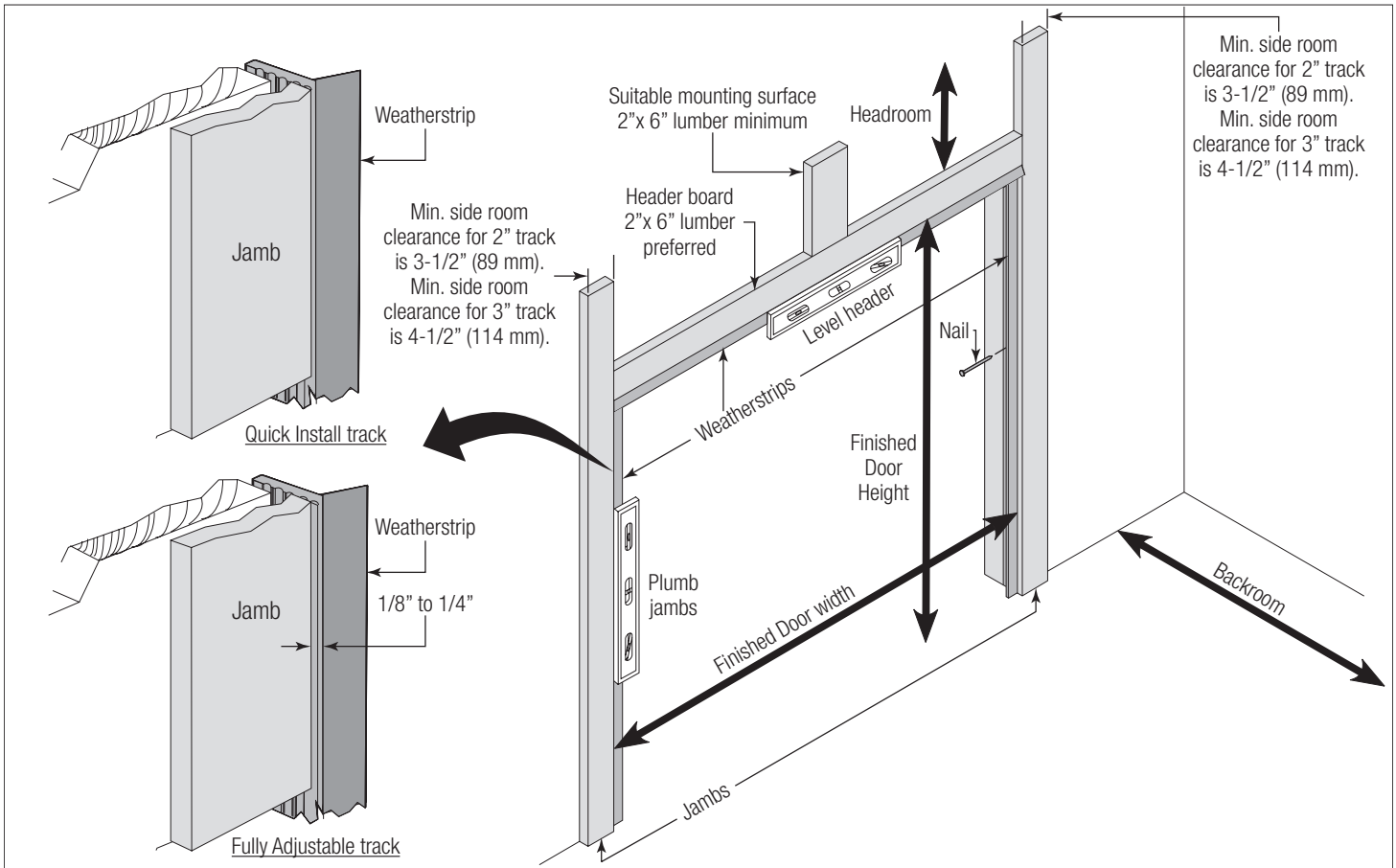


Figure 1

See Figure 1 for the following steps.

To ensure secure mounting of track brackets, side and center brackets, or steel angles to new or retro-fit construction, it is recommended to follow the procedures outlined in DASMA technical data sheets #156, #161 and #164 at www.dasma.com.

- The inside perimeter of your garage door opening should be framed with wood jamb and header material.
- The jambs and header must be securely fastened to sound framing members. It is recommended that 2" x 6" lumber be used. The jambs must be plumb and the header level.
- The jambs should extend a minimum of 12" (305 mm) above the top of the opening for Torsion counterbalance systems.
- For low headroom applications, the jambs should extend to the ceiling height. Minimum side clearance required, from the opening to the wall, is 3-1/2" (89 mm).

! DANGER

AVOID INJURY! A POWERFUL SPRING RELEASING ITS ENERGY SUDDENLY CAN CAUSE SEVERE OR FATAL INJURY. ALWAYS HAVE A TRAINED DOOR SYSTEMS TECHNICIAN, USING PROPER TOOLS AND INSTRUCTIONS, RELEASE THE SPRING TENSION.

! WARNING

TO AVOID POSSIBLE INJURY AND TO ENSURE PROPER INSTALLATION, IT'S HIGHLY RECOMMENDED THAT YOU READ AND FULLY UNDERSTAND THE COMPLETE INSTRUCTIONS ON REMOVING AN EXISTING DOOR & PREPARING THE OPENING. THESE ARE AVAILABLE FOR DOWNLOAD AT WWW.WAYNE-DALTON.COM OR AT YOUR LOCAL WAYNE DALTON SALES CENTER.

! DANGER

COUNTERBALANCE SPRING TENSION MUST ALWAYS BE RELEASED BEFORE ANY ATTEMPT IS MADE TO START REMOVING AN EXISTING DOOR. EXTREME CAUTION SHOULD BE USED WHEN UNWINDING SPRINGS AS FAILURE TO FOLLOW THE INSTRUCTIONS OR USE PROPER TOOLS CAN LEAD TO SERIOUS INJURY.

NOTICE

CLOSELY INSPECT JAMBS, HEADER AND MOUNTING SURFACE. ANY WOOD FOUND NOT TO BE SOUND, MUST BE REPLACED.

For Torsion counterbalance systems, a suitable mounting surface (2" x 6") must be firmly attached to the wall, above the header at the center of the opening.

NOTICE

DRILL A SUITABLE PILOT HOLE IN THE MOUNTING SURFACE TO AVOID SPLITTING THE LUMBER. DO NOT ATTACH THE MOUNTING SURFACE WITH NAILS.

Weatherstrips (Not Included):

Depending on the size of your door, you may have to cut or trim the weatherstrips to properly fit into the header and jambs.

NOTICE

IF NAILING PRODUCT AT 40°F, (4.4°C) OR BELOW, PRE-DRILLING IS REQUIRED.

1. For the header, align the weatherstrip with the inside edge of the header and temporarily secure it to the header with equally spaced nails, approximately 12" to 18" (305 mm - 457 mm) apart.
2. Starting at either side of the jamb, fit the weatherstrip up tight against the temporarily attached weatherstrip in the header and flush with the inside edge of the jamb.
3. Temporarily secure the weatherstrip with equally spaced nails. Repeat for other side. This will keep the bottom door section from falling out of the opening during installation.

BREAKDOWN OF DOOR COMPONENTS

NOTE: The illustrations shown on this page are general representations of the door parts. Each specific door models may have unique variations.

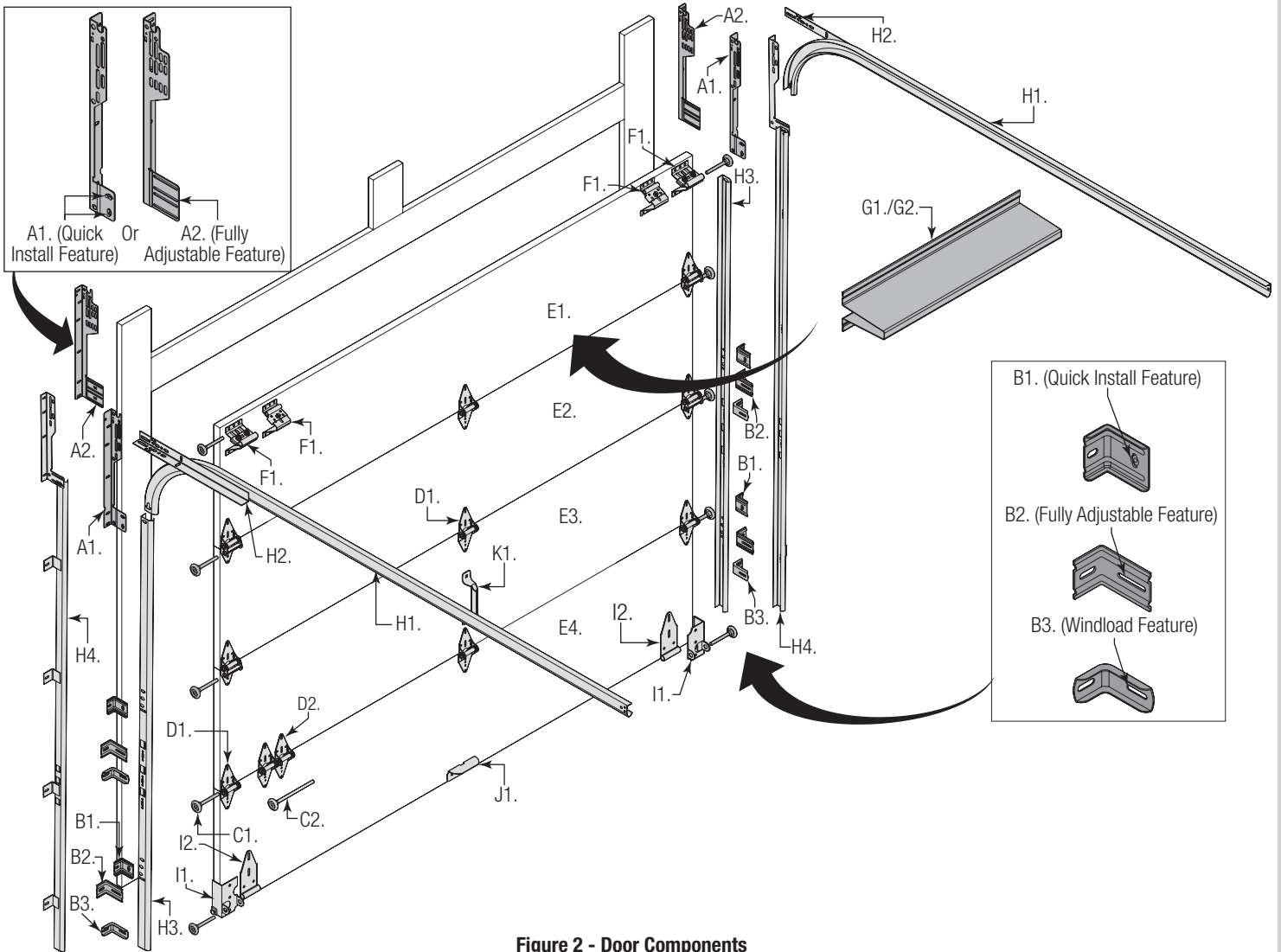


Figure 2 - Door Components

A. FLAG ANGLES (AS REQUIRED):

- A1. Quick Install (Q.I.) Flag Angles
- A2. Fully Adjustable (F.A.) Flag Angles

B. JAMB BRACKETS (AS REQUIRED):

- B1. Quick Install (Q.I.) Jamb Brackets
- B2. Fully Adjustable (F.A.) Jamb Brackets
- B3. Windload Jamb Brackets

C. TRACK ROLLERS (AS REQUIRED):

- C1. Short Stem Track Rollers
- C2. Long Stem Track Rollers

D. GRADUATED END HINGES:

- D1. Single Graduated End Hinges (S.E.H.), Industry Standard
- D2. Double Graduated End Hinges (D.E.H.), Industry Standard

E. STACKED SECTIONS:

- E1. Top Section
- E2. Intermediate(s) Section
- E3. Lock Section
- E4. Bottom Section

F. TOP FIXTURES:

- F1. Top Fixture Assemblies

G. STRUT(S) (AS REQUIRED):

- G1. 2" Strut (U-shaped)
- G2. 3" Strut (U-shaped)

H. TRACKS (AS REQUIRED):

- H1. Left and Right Hand Horizontal Track Assemblies
- H2. Left and Right Hand Horizontal Track Angles
- H3. Left and Right Hand Vertical Tracks
- H4. Left and Right Hand Riveted Vertical Track Assemblies

I. BOTTOM CORNER BRACKETS (AS REQUIRED):

- I1. Left Hand And Right Hand Bottom Corner Brackets
- I2. Left Hand And Right Hand Extension Brackets

J. STEP PLATES:

- J1. Step Plates

K. LIFT HANDLES:

- K1. Lift Handles

BREAKDOWN OF COUNTERBALANCE COMPONENTS

NOTE: The illustrations shown on this page are general representations of the door parts. Each specific door models may have unique variations.

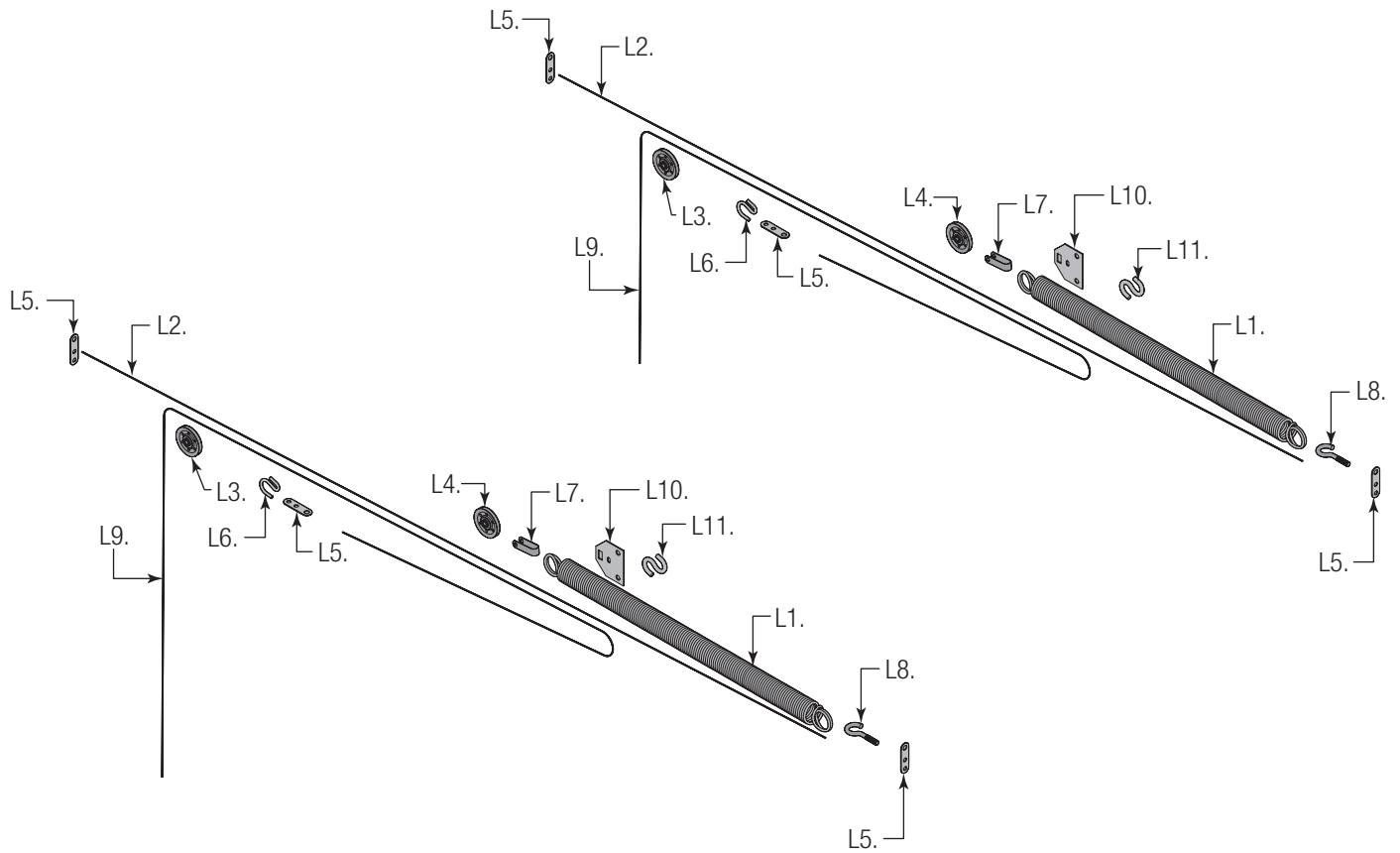


Figure 2 - Counterbalance Components

L. EXTENSION SPRING ASSEMBLY (AS REQUIRED):

- L1. Extension Springs
- L2. Spring Restraint Cables
- L3. Front Cable Lift Sheaves
- L4. Rear Cable Lift Sheaves
- L5. 3 Hole Clips
- L6. Small S-Hooks
- L7. Sheave Forks
- L8. 5/16" - 18 x 3-3/4" Eye Bolts
- L9. Counterbalance Lift Cables
- L10. Hook Plates (As Required)
- L11. Large S-Hooks

INSTALLATION INSTRUCTIONS

Door Installation Instructions

BEFORE INSTALLING YOUR DOOR, BE CERTAIN THAT YOU HAVE READ AND FOLLOWED ALL OF THE INSTRUCTIONS COVERED IN THE PRE-INSTALLATION SECTION OF THIS MANUAL. FAILURE TO DO SO MAY RESULT IN AN IMPROPERLY INSTALLED DOOR.

IMPORTANT: Reference TDS 160 for general garage door terminology at www.dasma.com.

NOTICE

IF THE DOOR WILL BE EXPOSED TO A SIGNIFICANT AMOUNT OF ROAD SALT, PAINT THE BOTTOM GALVANIZED STEEL WEATHER RETAINER TO INHIBIT RUSTING.

1 VERTICAL TRACK ASSEMBLY

IMPORTANT: If you have Riveted Track, skip this step.

NOTE: Refer to Package Contents or Breakdown Of Parts, to determine which type of jamb bracket you received.

NOTE: For clarity, all graphics shown are of the left side, right side will be the same.

IMPORTANT: The bottom jamb bracket is always the shortest bracket, while the center jamb bracket is the next tallest. If three jamb brackets per side are included with your door, you will have received a top jamb bracket, which is the tallest.

For Doors With Quick Install Flag Angles:

1a. Locate the flag angle and align the lower Quick Install tab to the vertical track Quick Install feature. Rotate the flag angle 1/4 turn to lock in place.

IMPORTANT: Each jamb bracket will have a unique ID that starts with "QJJB" followed by a number. Use this number for the correct jamb bracket outlined in Table 1. Jamb Bracket Schedule. If not installed correctly, the jamb brackets won't fit up against the jamb correctly.

1b. Measure the length of the vertical tracks. Using the jamb bracket schedule in Table 1, determine the placement of the jamb brackets for your door height and track length. See Figure 8.

1c. To install the jamb brackets, align the Quick Install tab to the vertical track Quick Install feature. Rotate the jamb bracket 1/4 turn to lock in place.

IMPORTANT: Mounting flange is toward the back (flat) leg of the track.

1d. Repeat the same process for right hand side.

For Doors With Fully Adjustable Flag Angle:

1a. Hand tighten the flag angle to the vertical track using two 1/4" - 20 x 9/16" track bolts and two 1/4" - 20 flange hex nuts.

1b. attach the shortest jamb bracket by aligning the slot in the shortest jamb bracket with the lower hole of the hole/ slot pattern of the vertical track. Hand tighten the jamb bracket using (1) 1/4" - 20 x 9/16" track bolt and (1) 1/4" - 20 flange hex nut.

1c. Place the tallest jamb bracket over the lower hole of the hole/ slot pattern that is centered between the bottom jamb bracket and flag angle of the 2nd hole set. Hand tighten the jamb bracket using (1) 1/4" - 20 x 9/16" track bolt and (1) 1/4" - 20 flange hex nut.

1d. Repeat this process for the right hand side.

2

ATTACHING (WL) JAMB BRACKETS TO VERTICAL TRACKS

NOTE: Windload specification **0356** only uses the Quick Install (Q.I.) jamb bracket schedule.

NOTE: Reference Step Quick Install Flag Angles (Q.I.) or Step Fully Adjustable Flag Angles (F.A.T.), to determine which type of track you have.

2a. Measure the length of the vertical tracks.

2b. Using the Jamb Bracket Schedule (shown on the Windload Specification Sheet), determine the placement of the windload jamb brackets for your door height.

2c. Loosely fasten the jamb bracket to the vertical track with one 1/4" - 20 x 9/16" track bolt and one 1/4" - 20 flange hex nut.

2d. Repeat same process for other side.

3

ATTACHING HORIZONTAL TRACK ANGLES

NOTE: For clarity, all graphics shown are of the left side, right side will be the same.

NOTE: For larger doors, a full length horizontal track angle may not already be spot welded to the horizontal track. If the horizontal track angle is not welded, the horizontal track angle will be installed, as shown.

3a. Position the horizontal track angle.

3b. Place the Quick Install tabs of the horizontal track angle in the key slot of the horizontal track. Using a hammer, tap the horizontal track angle towards the curved end of the track until the alignment hole in the track and angle are aligned.

3c. Repeat for other side. Set tracks aside.

4

ATTACHING BOTTOM CORNER BRACKETS

IMPORTANT: Refer to door section identification, located in the pre-installation section of this manual or refer to Breakdown of Parts.

! WARNING

ENSURE TIGHT FIT OF CABLE LOOP OVER PIN TO PREVENT COUNTERBALANCE LIFT CABLE FROM COMING OFF THE PIN, WHICH COULD ALLOW THE DOOR TO FALL AND RESULT IN DEATH OR SERIOUS INJURY.

IMPORTANT: Verify bottom weather seal is aligned with bottom section. If there is more than 1/2" excess weather seal on either side, trim weather seal even with bottom section.

IMPORTANT: The 1/4" - 14 x 7/8" red head self drilling screws must be installed through the holes of the bottom corner brackets.

NOTE: Refer to the Windload Specification Sheet to determine if your bottom section requires extension brackets.

4a. Uncoil the counterbalance lift cables.

4b. Depending on which bottom corner brackets you have, slip the cable loop at the ends of the counterbalance lift cable over the milford pin of the bottom corner bracket. Repeat this process for the opposite side.

4c. Refer to the Windload Specification Sheet to determine if your bottom section requires a strut to be installed over the bottom corner brackets.

To Attach Bottom Corner Brackets:

4d. Position the left hand bottom corner bracket to the left corner of the bottom section, making sure it is seated against the edges of the end stile.

4e. Repeat same process for other side.

4f. **If applicable**, position the strut over the bottom corner brackets and center the strut side to side on the bottom section.

4g. Secure the strut (if applicable) and the bottom corner brackets to the endstile using three 1/4" - 14 x 7/8" RED HEAD self drilling screws.

4h. Finish securing the strut to the bottom section using two 1/4" - 14 x 7/8" self drilling screws at each center stile(s) location.

If Your Door Doesn't Require Extension Brackets To Be Installed:

4i. Insert a short stem track roller with a roller spacer into each of the bottom corner brackets.

To Attach Extension Brackets:

4i. Position the extension bracket flush against the end stile and slide it underneath the strut. Align the extension bracket with the bottom corner bracket by inserting a long shaft roller with a roller spacer through the bottom corner bracket and the extension bracket hinge tubes. Attach the extension bracket to the endstile using three 1/4" - 14 x 7/8" self drilling screw. Repeat same process for other side.

4j. Insert a long stem track roller with roller spacer into the bottom corner brackets.

5 ATTACHING HINGES TO SECTIONS

NOTE: Refer to door section identification, located in the pre-installation section of this manual.

NOTE: The graduated hinges can be identified by the number stamped on the lower hinge leaf.

NOTE: The #1 graduated end hinges serves as end hinges on the bottom section. The #1 graduated end hinges also serves as center hinges on all sections, except for the top section.

NOTE: The #2 graduated end hinges serves as end hinges on the Lock section.

NOTE: The #3 graduated end hinges serves as end hinges on the Intermediate I section.

NOTE: The #4 graduated end hinges serves as end hinges on the Intermediate II section.

5a. Locate the bottom section, using #1 graduated end hinges for the end stiles and depending on the width of your door, enough #1 center hinge(s) for each of the center stile(s).

5b. At the top of the bottom section, position the graduated end hinge(s) onto the end stile of the bottom section, so that the lower (#) hinge leaf is over the pre-punched holes in the end stiles and over the pre-punched holes in the center stile(s).

5c. Secure each graduated end hinge and each center hinge to the bottom section using (2) 1/4" - 14 x 5/8" self tapping screws.

NOTE: Refer to the Windload Specification Sheet to determine if two more graduated end hinges are required to be installed next to the previously installed graduated end hinges, as shown.

5d. At the top of the bottom section, position the graduated end hinge onto the inner end stile of the bottom section, so that the lower (#) hinge leaf is over the pre-punched holes in the end stile.

5e. Secure each graduated end hinge to the bottom section using (2) 1/4" - 14 x 5/8" self tapping screws.

NOTE: Refer to the Windload Specification Sheet to determine if additional 1/4" - 14 x 7/8" self drilling screws are required to be installed into the graduated end hinges, as shown.

For Single Graduated End Hinges:

5f. Insert a short stem track roller into the hinge tube of the graduated end hinge on each side.

For Double Graduated End Hinges:

5f. Insert a long stem track roller into the hinge tubes of the graduated end hinges on each side.

IMPORTANT: When placing track rollers into the #2 graduated end hinges and higher, the track roller goes into hinge tube furthest away from section.

IMPORTANT: Once the 1/4" - 14 x 5/8" self tapping screws are snug against the lower hinge leaf, tighten an additional 1/4 to 1/2 turn to receive maximum design holding power.

5g. Repeat the same graduated end and center hinge attachment process using the appropriate graduated end hinges for all remaining sections, except the top section.

6 ATTACHING TOP FIXTURES TO TOP SECTION

NOTE: If your door came with two top fixtures, then one top fixture and a short stem track roller are required for each side.

NOTE: If your door came with four top fixtures, then two top fixtures and a long stem track roller are required for each side.

NOTE: The top fixture slide will be tightened and adjusted later, in "Adjusting Top Fixtures" step.

IMPORTANT: Ensure the top fixture slide is able to slide along the top fixture base. If needed, loosen the 1/4" - 20 flange hex nuts / 5/16" - 18 nuts.

6a. Starting on the left hand side, align the upper-center hole of top fixture base with the hole in the outer end stile of the top section.

6b. Ensure the top fixture base is level and aligned with edge of the top section.

6c. Fasten to section using four 1/4" - 14 x 7/8" self drilling screws.

6d. Repeat the same process for the right hand side.

If Your Door Came With Two Top Fixtures:

6e. Insert a short stem track roller into each top fixture slides.

If Your Door Came With Four Top Fixtures:

6e. If needed, loosen the 5/16" hex nut on the top fixture assembly.

6f. Position the top fixture assembly flush against the inner end stile and centered on the end stile.

6g. Insert a long stem track roller through both top fixture slides, ensuring they are leveled and aligned with each other.

6h. Secure the top fixture assembly to the end stile using four 1/4" - 14 x 7/8" self drilling screws.

6i. Repeat the same process for the other side.

7 ATTACHING STRUT(S) TO SECTION

NOTE: Refer to door section identification, located in the pre-installation section of this manual or refer to Breakdown Of Parts.

NOTE: Refer to the Windload Specification Sheet to determine how many struts your door needs and on what sections they are needed to be installed.

Installation For The Bottom Section:

7a. All struts are placed either up against the bottom of the graduated hinges and or up against the top portion of the bottom corner brackets.

Installation For The Lock And Intermediate Sections:

7a. All struts are placed either up against the bottom of the graduated hinges up against the top portion of the graduated hinges.

Installation For The Top Section:

7a. All struts are placed either at the top of the section and or up against the top portion of the graduated hinges.

7b. Locate the section and center the strut appropriately onto the section surface.

7c. Center the strut side to side.

7d. Secure strut to the section using two 1/4" - 14 x 7/8" self drilling screws at each end and center stile locations.

For Double Graduated End Hinges (Refer To The Windload Specification Sheet):

7e. Secure two 1/4" - 14 x 7/8" self drilling screws more at the inner end stiles of the section.

8 ATTACHING STEP PLATES TO SECTION

IMPORTANT: Do not mount the step plate higher than 6" from the bottom of the section.

8a. Locate the center most center stile of the bottom section of the door.

8b. On the inside of the door, center the step plate on the center most stile no higher than 6" from the bottom of the door.

8c. Using the step plate holes as a template, drill a 5/16" dia. hole along each side of the center stile, through the face of the door.

IMPORTANT: Be extremely careful to keep drill straight.

8d. Mount the inside step plate and the outside step plate back to back, straddling the center stile. Secure with (2) 1/4" - 20 x 2-3/4" carriage bolts and 1/4" - 20 hex nuts.

9 ATTACHING LIFT HANDLES TO SECTION

NOTE: Doors with a Keyed lock do not require this lift handle.

9a. Locate the inside center stile or the desired lift handle location on the second section of the door. Position the lower hole in the lift handle 4" from the bottom of the second section.

IMPORTANT: The distance between the step plate and the middle of the lift handle must be 20" minimum to 30" maximum. If necessary, reposition the upper lift handle to stay within the required dimension.

9b. Using the lift handle holes as a template, drill (2) 9/32" dia. holes through the second section. Enlarge the holes from the outside the door to 1/2" dia.

IMPORTANT: Be extremely careful to keep drill straight.

IMPORTANT: Do not drill through or enlarge holes on the inside of the door.

9c. Assemble the lift handles to the second section using (2) spacers, (2) 1/4" - 20 x 2-1/2" carriage bolts, and (2) 1/4" - 20 hex nuts.

10 POSITIONING BOTTOM SECTION

10a. Center the bottom section in the door opening.

10b. Use a level and wood shims (if necessary) to level the bottom section. When the bottom section is leveled, temporarily hold it in place by driving a nail into the jamb and bending it over the edge of the bottom section on both sides.

11 ATTACHING VERTICAL TRACKS TO JAMBS

IMPORTANT: Depending on your door, you may have Quick Install Flag Angles, Fully Adjustable Flag Angles or you may have Riveted Vertical Track Assemblies. Refer to Package Contents / Breakdown of Parts, to determine which Flag Angles / Vertical Track Assemblies you have.

IMPORTANT: If this door is to be installed prior to a finishing construction of the building's floor, the vertical tracks and the door bottom section assembly should be installed such that when the floor is constructed, no door or track parts are trapped in the floor construction.

IMPORTANT: If the bottom section was leveled with shims, the vertical track on the shimmed side must be raised the same height as the shim. Recheck the top of the vertical tracks to be level from side to side.

IMPORTANT: Make sure the counterbalance lift cable is located between the track rollers and the door jamb.

11a. Starting on the left hand side of the bottom section, remove the nail. Position the left hand vertical track assembly over the track rollers of the bottom section and install, as shown. Drill 3/16" pilot holes into the door jamb for the lag screws.

IMPORTANT: For proper flag angle lag screw location, note the flag angle styles.

For Doors With Quick Install Flag Angle or Fully Adjustable Flag Angles:

11b. Loosely fasten jamb brackets and flag angle to the jamb using 5/16" x 1-5/8" lag screws.

11c. Tighten lag screws, securing the bottom jamb bracket to jamb, maintain 3/8" to 5/8" spacing, between the bottom section and vertical track.

11d. Hang counterbalance lift cable over flag angle. Repeat same process for other side.

For Doors With Riveted Vertical Track Assemblies:

11b. Loosely fasten jamb brackets and flag angle to the jamb using 5/16" x 1-5/8" lag screws.

11c. Tighten lag screws, securing the bottom jamb bracket to jamb, maintain 3/8" to 5/8" spacing as shown, between the bottom section and vertical track.

11c. Hang counterbalance lift cable over flag angle. Repeat same process for other side.

12 STACKING SECTIONS

NOTE: Refer to door section identification, located in the pre-installation section of this manual or refer to Breakdown of Parts.

NOTICE

BEFORE STACKING SECTIONS, MAKE SURE GRADUATED END AND CENTER HINGES ARE FLIPPED DOWN TO AVOID POSSIBLE DAMAGE TO YOUR DOOR, WHEN STACKING ANOTHER SECTION ON TOP.

12a. With a helper, lift second section and guide the track rollers into the vertical tracks. Lower section until it is seated against bottom section.

12b. Flip hinges up. Fasten center hinge(s) first; then graduated end hinges last using 1/4" - 14 x 5/8" self tapping screws.

12c. Repeat same process for other sections, except top section.

12d. Refer to the Windload Specification Sheet to determine if additional 1/4" - 14 x 7/8" self drilling screws are required to be installed into the graduated end hinges.

IMPORTANT: Push & hold the hinge leaves securely against the sections while securing with fasteners to it. There should be no gap between the hinge leaves and the sections.

13 STACKING TOP SECTION

IMPORTANT: The dimension between the flag angles must be door width plus 3-3/8" - 3-1/2" (86 mm - 89 mm).

13a. Place the top section in the opening, on top of the section stacked.

13b. Install a nail to temporarily hold the top section.

13c. Flip up the hinge leaves, hold tight against section, and fasten center hinges first and end hinges last (see Stacking Sections).

13d. Position flag angle between 1-11/16" to 1-3/4" (43 mm - 44 mm) from the edge of the door, then tighten the bottom lag screw. Flag angles must be parallel to the door sections. Repeat for other side.

13e. Complete the vertical track installation.

If you have quick install track: Secure the jamb brackets and tightening the other lag screws. Repeat for other side.

If you have fully adjustable track or riveted track: Secure the jamb bracket(s) and tightening the other lag screws. Push the vertical track against the track rollers so that the track rollers are touching the deepest part of the curved side of the track; tighten all the track bolts and nuts. Repeat for other side.

IMPORTANT: Accurately positioning the pushnut onto the roller stem is critical. Once the pushnut is pushed onto the roller stem, the tabs making contact with the steel surface will make it difficult to reposition the pushnut.

NOTE: When positioning the pushnut onto roller stem, ensure the tabs on the pushnut are pointing away from roller stem.

15e. Starting with the top fixture assembly, slide one pushnut over the roller stem and push the pushnut towards the outside edge of the top fixture assembly leaving 1/4" spacing between the outside edge of top fixture assembly and the pushnut.

15f. Repeat same process for the graduate end hinges and the bottom corner brackets on the left hand side of door, then repeat same process for the right hand side of door.

14 ATTACHING HORIZONTAL TRACKS

NOTE: Depending on your door, you may have Quick Install Flag Angles, Fully Adjustable Flag Angles or you may have Riveted Vertical Track Assemblies. Refer to Package Contents / Breakdown of Parts, to determine which Flag Angles / Vertical Track Assemblies you have.

WARNING

DO NOT RAISE DOOR UNTIL HORIZONTAL TRACKS ARE SECURED AT REAR, AS OUTLINED IN STEP 16, ATTACHING REAR BACK HANGS. THE REAR BACK HANGS OR DOOR COULD FALL FROM OVERHEAD POSITION CAUSING DEATH OR SERIOUS INJURY.

For Quick Install Flag Angles:

14a. Place the curved end of the horizontal track over the top track roller of the top section.

14b. Align key slot of the horizontal track with the Quick Install tab of the flag angle. Push curved portion of horizontal track down to lock tab in place.

For Other Flag Angles:

14c. Place the curved end of the horizontal track over the top track roller of the top section.

14d. Attach the horizontal track to the flag angle with two 1/4" - 20 x 9/16" track bolts and two 1/4" - 20 flange hex nuts.

14e. Level the horizontal track assembly and bolt the horizontal track angle to the first encountered slot in the flag angle using one 3/8" - 16 x 3/4" truss-head bolt and one 3/8" - 16 hex nut.

14f. Repeat for right side.

14g. When complete, remove the nail that was holding the top section in position.

NOTICE

FAILURE TO REMOVE NAIL BEFORE ATTEMPTING TO RAISE DOOR COULD CAUSE PERMANENT DAMAGE TO TOP SECTION.

15 ADJUSTING TOP FIXTURES

15a. Vertically align the top section of the door with the lower sections. Position the top fixture slide(s), out against the horizontal track.

15b. Maintaining the slide's position, tighten the 1/4" - 20 flange hex nuts / 5/16" - 18 hex nut to secure the top fixture slide(s) to the top fixture base(s).

15c. Repeat for other side.

NOTE: Refer to the Windload Specification Sheet to determine if additional 1/4" - 20 x 9/16" track bolt and one 1/4" - 20 flange hex nut is required to be installed into the top fixture slide.

15d. Lock each of the top fixture slide in position using one 1/4" - 20 x 9/16" track bolt and one 1/4" - 20 flange hex nut through any aligning hole.

NOTE: Refer to the Windload Specification Sheet to determine if pushnuts are required to be installed onto the shaft of track roller stems.

Counterbalance Installation Instructions

16 ATTACHING REAR BACK HANGS (NOT INCLUDED)

See Figures 3, 4, and 5 for the following steps.

16a. Raise the door until the top section and half of the next section are in the horizontal track radius. Do not raise door any further since rear of horizontal tracks are not yet supported.

WARNING

RAISING THE DOOR FURTHER INTO THE LOOSE HORIZONTAL TRACKS CAN RESULT IN DOOR FALLING CAUSING DEATH OR SERIOUS INJURY.

IMPORTANT: If an opener is installed, position horizontal tracks one hole above level when securing them to the rear back hangs.

16b. Using the chart below, select the appropriate perforated angle. Fabricate and install rear back hangs, as shown.

Perforated Angle Gauge Weight Limitations:

| Perforated Angle Gauge | Door Balance Weight |
|----------------------------|---------------------|
| 1-1/4" x 1-1/4" x 15 Gauge | 220 lb. to 440 lb. |
| 1-1/4" x 1-1/4" x 16 Gauge | 175 lb. to 350 lb. |

WARNING

KEEP HORIZONTAL TRACKS PARALLEL AND WITHIN 3/4" TO 7/8" (19 MM - 22 MM) MAXIMUM OF DOOR EDGE. OTHERWISE THE TRACK ROLLERS CAN COME OUT AND DOOR WILL FALL, RESULTING IN DEATH OR SERIOUS INJURY.

WARNING

MAKE SURE BACK HANGS ARE BRACED SUFFICIENTLY TO RESIST ANY MOTION DURING SPRING APPLICATION AND DOOR TRAVEL. IF BACK HANGS PIVOT OR DEFLECT, ADD REINFORCEMENT UNTIL THEY REMAIN FIRM AND STATIONARY. ANY BACK HANG THAT HAS BEEN BENT MUST BE REPLACED. FAILURE TO SECURELY BRACE THE HORIZONTAL TRACK CAN RESULT IN DOOR FALLING CAUSING DEATH OR SERIOUS INJURY.

NOTICE

DO NOT SUPPORT THE WEIGHT OF THE DOOR ON ANY PART OF THE REAR BACK HANGS THAT IS 4" (102 MM) OR MORE BEYOND A SOUND FRAMING MEMBER.

NOTICE

IF REAR BACK HANGS ARE TO BE INSTALLED OVER DRYWALL, USE TWO 5/16" X 2" HEX-HEAD LAG SCREWS AND MAKE SURE LAG SCREWS ENGAGE INTO SOLID STRUCTURAL LUMBER.

DANGER

FAILURE TO ASSEMBLE AND ATTACH REAR BACK HANGS PROPERLY ACCORDING TO THE ABOVE INSTRUCTIONS MAY RESULT IN DOOR FALLING WHEN RAISED, CAUSING DEATH OR SERIOUS INJURY.

NOTICE

PERFORATED ANGLE MUST BE ATTACHED TO SOUND FRAMING MEMBERS AND NAILS SHOULD NOT BE USED.

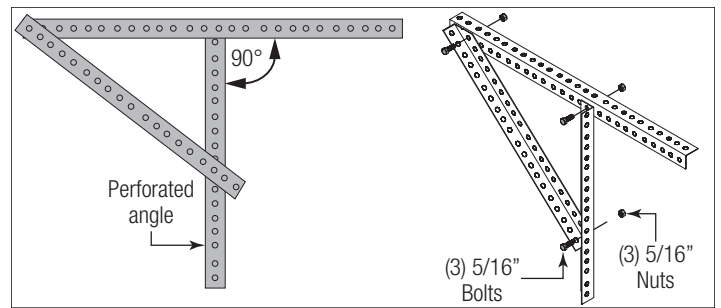


Figure 3

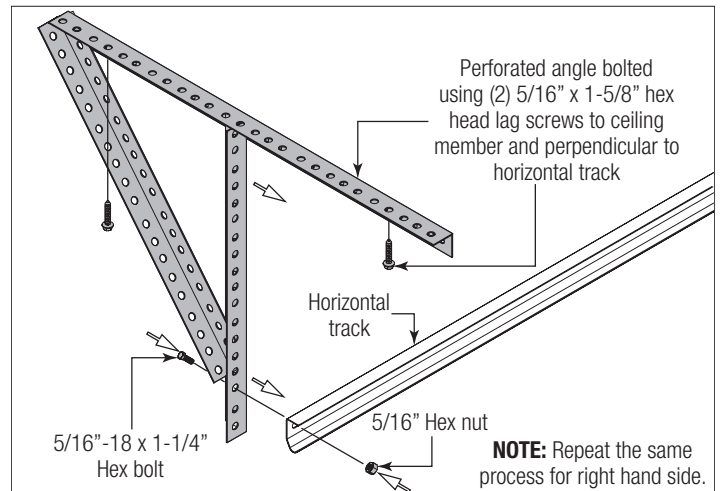


Figure 4

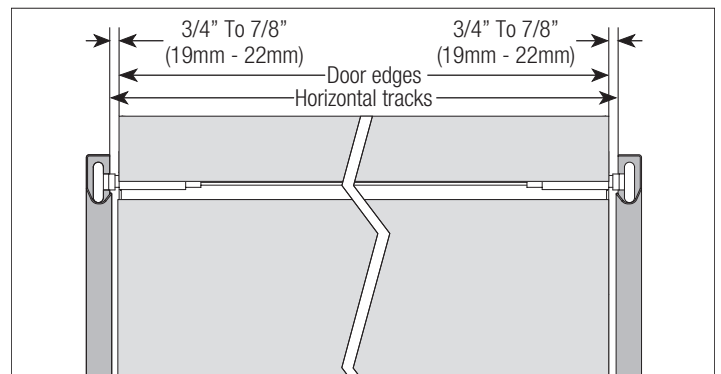


Figure 5

17 ATTACHING FRONT CABLE LIFT SHEAVES

See Figure 6 through Figure 8 for the following steps.

If you have 3" front cable lift sheave and a 12" radius horizontal track:

17a. Starting on the left hand side and using one 3/8" - 16 hex nut ①, secure the 3" front cable lift sheave ② to the 13/32" hole ③ near the top of the flag angle ④.

17b. Repeat the same process for the right hand side.

If you have 3" or 4" front cable lift sheave and a 15" radius horizontal track:

17a Starting on the left hand side and using one 3/8" - 16 hex nut ①, secure the front cable lift sheave ② ⑤ to the first 13/32" hole ③ in the horizontal track angle ⑥.

17b. Repeat the same process for the right hand side.

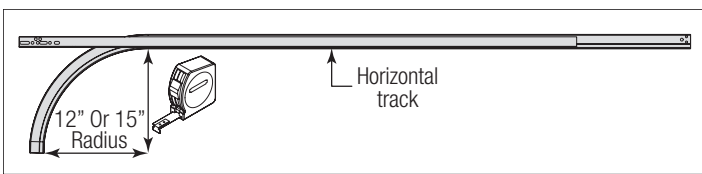


Figure 6, Left Side Shown

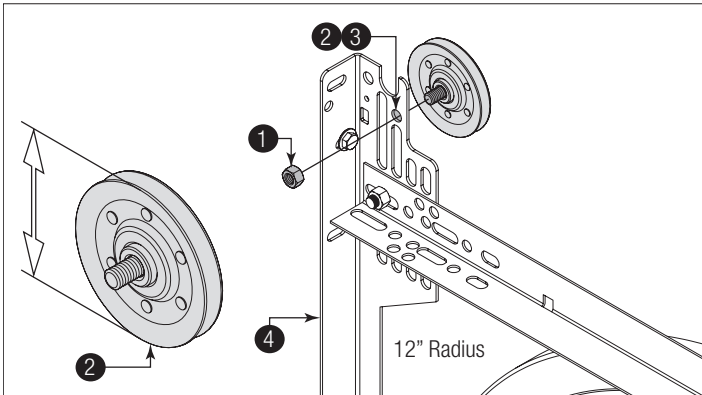


Figure 7, Left Side Shown

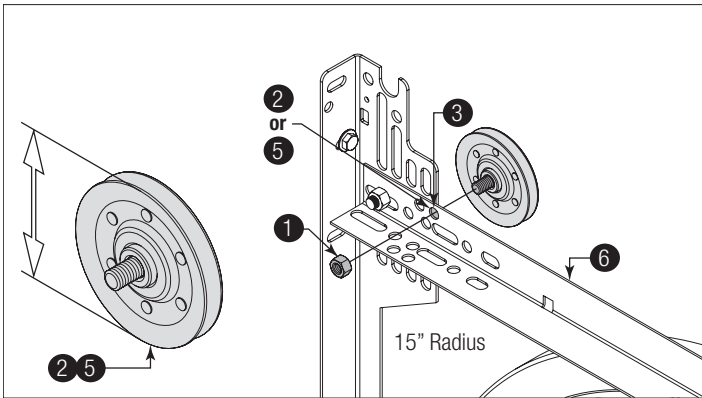


Figure 8, Left Side Shown

| | | | |
|---|----------------------------|---|----------------------------|
| 1 | 3/8" - 16 Hex Nut | 4 | Flag Angle |
| 2 | 3" Front Cable Lift Sheave | 5 | 4" Front Cable Lift Sheave |
| 3 | 13/32" Hole | 6 | Horizontal Track Angle |

18 ATTACHING EXTENSION SPRINGS

WARNING

WITH ASSISTANCE, RAISE THE DOOR SLOWLY INTO THE OPEN POSITION MAKING SURE THE DOOR TRAVELS SMOOTHLY THROUGH THE TRACKS. CLAMP LOCKING PLIERS (1) TO THE BACK LEG OF BOTH HORIZONTAL TRACKS (2), BELOW THE BOTTOM TRACK ROLLERS (3) TO KEEP THE DOOR FROM LOWERING.

WARNING

FAILURE TO INSTALL SPRING RESTRAINT CABLES CAN RESULT IN SEVERE OR FATAL INJURY IN CASE OF SPRING BREAKAGE.

NOTE: Some larger doors feature two pairs of extension springs (15). A spring restraint cable must be installed through each spring.

IMPORTANT: Spring restraint cables must be taut and equalized.

See Figure 9 through Figure 12 for the following steps.

18a. Remove the locking pliers from the vertical tracks.

18b. Position one 5/16" - 18 x 3-3/4" eye bolt (4) and one 5/16" - 18 hex nut (5) into the rear back hang (6), 6" to 8" (7) above the horizontal track.

18c. Feed the spring safety cable (8) through the rear back hang and tie the special knot (9) around the "room side" of the 3 hole clip (10).

18d. Secure the eye bolt (11) and 3 hole clip to the rear back hang using one 5/16" - 18 hex nut.

18e. Hook one end of the extension spring (12) onto the eye bolt. Feed the spring safety cable through the rear extension spring loop and center of the extension spring then front spring loop, pull the spring safety cable taut and tie the special knot around the "jamb side" of the 3 hole clip.

18f. Attach the "jamb side" 3 hole clip to the jamb near the flag angle (13) using one 5/16" x 1-5/8" lag bolt (14).

18g. Repeat the same process for the other side.

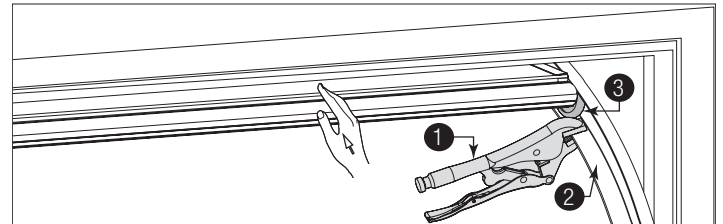


Figure 9, Outside Of The Door In The Open Position

| | | | |
|---|------------------------------------|---|----------------------|
| 1 | Locking Pliers | 3 | Bottom Track Rollers |
| 2 | Back Leg Of Both Horizontal Tracks | | |

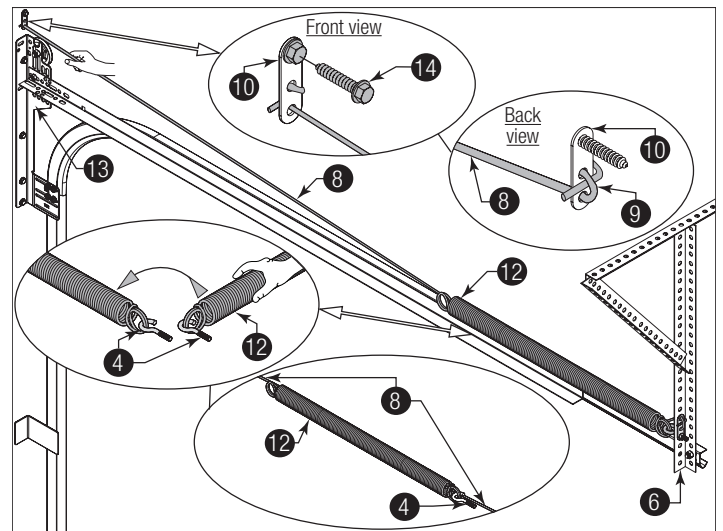


Figure 10, Left Side Shown

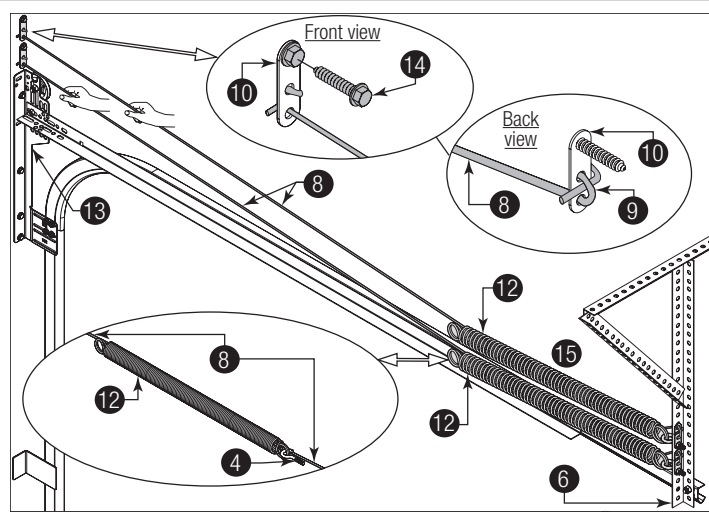


Figure 11, Left Side Shown

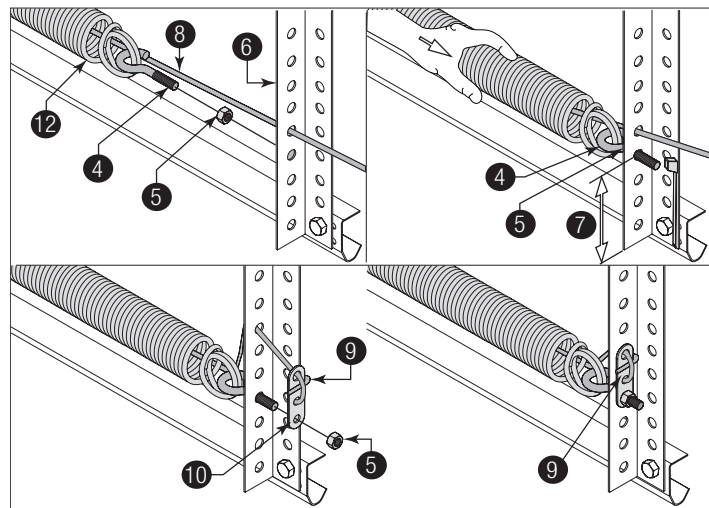


Figure 12, Left Side Shown

| | | | |
|---|------------------------------|----|--------------------------------|
| 4 | 5/16" - 18 x 3-3/4" Eye Bolt | 10 | 3 Hole Clip |
| 5 | 5/16" - 18 Hex Nut | 11 | Eye Bolt |
| 6 | Rear Back Hang | 12 | Extension Spring |
| 7 | 6" To 8" | 13 | Flag Angle |
| 8 | Spring Safety Cable | 14 | 5/16" x 1-5/8" Lag Bolt |
| 9 | Special Knot | 15 | Two Pairs Of Extension Springs |

19 ATTACHING SPRING SHEAVES

NOTE: Some larger doors feature 2 pairs of extension springs (14). A spring restraint cable must be installed through each spring.

IMPORTANT: Close "S" hooks and eye bolts (13) with locking pliers, to prevent springs from coming loose.



FAILURE TO CLOSE "S" HOOKS AND EYE BOLTS CAN RESULT IN SEVERE OR FATAL INJURY IF SPRINGS COME LOOSE.

See Figure 13 through Figure 15 for the following steps.

If you have one pair of extension springs:

19a. Hook the sheave fork (1) through the front loop of the extension spring (2) and attach the sheave fork to the rear cable lift sheave (3) using one 3/8" - 16 x 1-1/4" hex head bolt (4) and one 3/8" - 16 hex nut (5).

19b. Thread the counterbalance lift cable (6) over the front cable lift sheave (7) and around the rear cable lift sheave.

19c. Tie the special knot around the "horizontal track angle (8)" using a 3 hole clip (9).

19d. Insert one end of the small "S" hook (10) into the "horizontal track angle" with the 3 hole clip and the other end into the second slot of the horizontal track angle.

19e. Repeat same process for the other side.

If you have two pair of extension springs:

19a. Insert two large "S" hooks (11) and the sheave fork (1) into the hook plate (12).

19b. Attach the sheave fork to the rear cable lift sheave (3) using one 3/8" - 16 x 1-1/4" hex head bolt (4) and one 3/8" - 16 hex nut (5).

19c. Thread the counterbalance lift cable (6) over the front cable lift sheave (7) and around the rear cable lift sheave.

19d. Tie the special knot around the "horizontal track angle (8)" using a 3 hole clip (9).

19e. Insert one end of the small "S" hook (10) into the "horizontal track angle" with the 3 hole clip and the other end into the second slot of the horizontal track angle.

19f. Repeat same process for the other side.

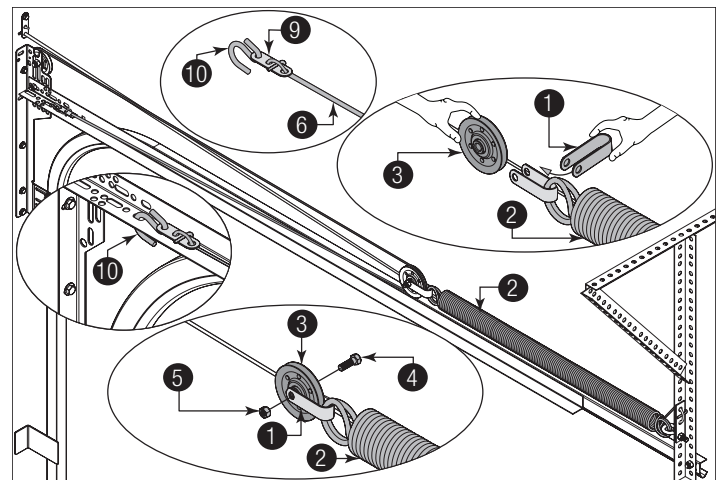


Figure 13, Left Side Shown

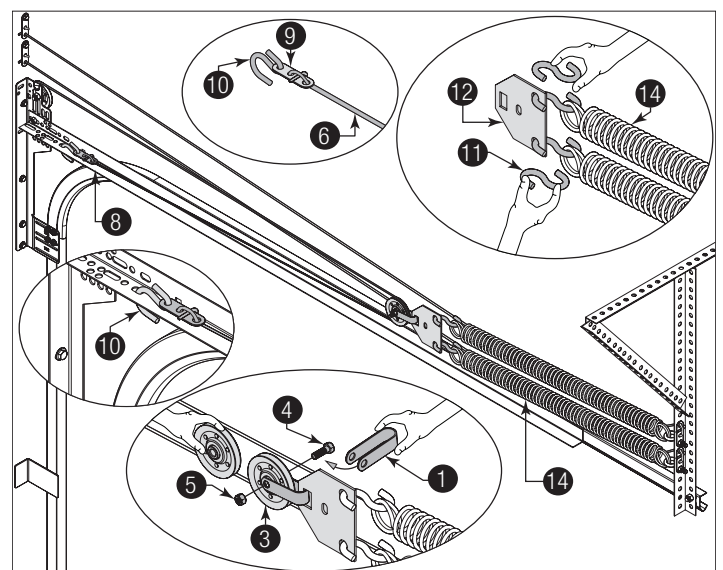


Figure 14, Left Side Shown

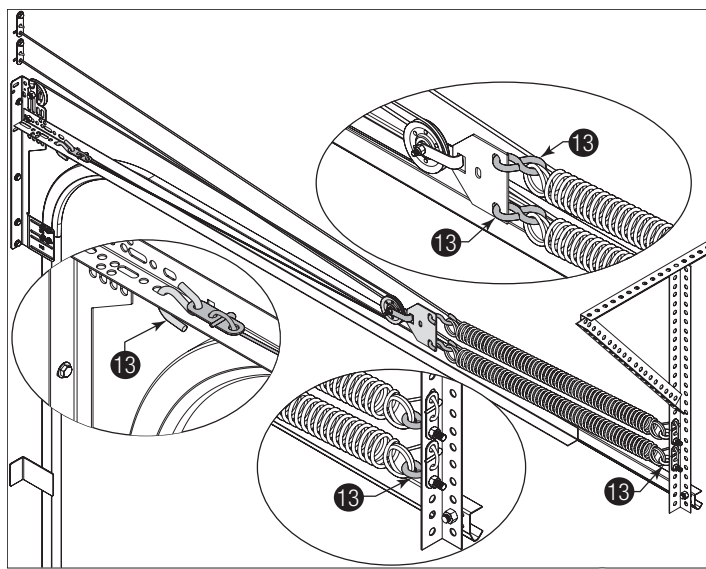


Figure 15, Left Side Shown

| | | | |
|---|----------------------------------|----|--------------------------------|
| 1 | Sheave Fork | 8 | Horizontal Track Angle |
| 2 | Extension Spring | 9 | 3 Hole Clip |
| 3 | Rear Cable Lift Sheave | 10 | Small "S" Hook |
| 4 | 3/8" - 16 x 1-1/4" Hex Head Bolt | 11 | Large "S" Hooks |
| 5 | 3/8" - 16 Hex Nut | 12 | Hook Plate |
| 6 | Counterbalance Lift Cable | 13 | Close "S" Hooks And Eye Bolts |
| 7 | Front Cable Lift Sheave | 14 | Two Pairs Of Extension Springs |

20 COUNTERBALANCE LIFT CABLE ADJUSTMENTS

NOTE: It may be necessary to adjust spring length for proper door balance.

IMPORTANT: Whenever adjusting extension spring length for door balance, always open the door to the fully open position and return the locking pliers, as shown in Figure 9 to the horizontal tracks below the bottom track rollers.

20a. Adjust counterbalance lift cables to create about 1" to 2" (25 mm to 50 mm) of initial extension spring stretch, with the door in the fully opened position.

20b. Measure relaxed extension spring length for your door height and verify with the chart below. Spring length must be the same for both extension springs to allow even door balance.

20c. Carefully remove the locking pliers from the horizontal track and lower the door into the closed position. Once the door is closed, measure the extension spring length in tension for both sides. Using the chart, verify the spring length in tension is correct with your door height.

| Door Height | Spring Length Relaxed (Door Open) | Spring Length Extended (Door Closed) |
|-------------|-----------------------------------|--------------------------------------|
| 6' 0" | 25" (635 mm) | 61" (1549 mm) |
| 6' 3" | 25" (635 mm) | 62-1/2" (1588 mm) |
| 6' 6" | 25" (635 mm) | 64" (1626 mm) |
| 7' 0" | 25" (635 mm) | 67" (1702 mm) |
| 7' 6" | 27" (686 mm) | 72" (1829 mm) |
| 7' 9" | 27" (686 mm) | 73-1/2" (1867 mm) |
| 8' 0" | 27" (686 mm) | 75" (1905 mm) |

21 BALANCING DOOR

IMPORTANT: Whenever adjusting extension spring length for door balance, always open the door to the fully open position and return the locking pliers, as shown in Figure 49 to the horizontal tracks below the bottom track rollers.

IMPORTANT: IF DOOR STILL DOES NOT BALANCE PROPERLY, THEN CONTACT A TRAINED DOOR SYSTEM TECHNICIAN.

21a. Lift door and check its balance. If door rises off floor more than 2 ft. under spring tension alone, reduce spring tension by adjusting extension spring length, moving the "S" hook backward (towards the rear back hangs) to a different hole in the horizontal track. If the door is hard to rise or drifts down on its own, adjust extension spring length by moving the "S" hook forward (towards the header) to a different hole in the horizontal track. A poorly balanced door can cause garage door operator problems.

21b. If the door still does not operate easily, raise the door into the open position, return the locking pliers, and recheck the following items:

- 1.) Is the door level?
- 2.) Are the flag angles level and plumb?
- 3.) Does the distance between the flag angles equal door width plus 3-3/8" to 3-1/2"?
- 4.) Do the counterbalance lift cables have equal tension? Adjust by re-tying the special knot, if necessary.
- 5.) Make sure door is not rubbing on jambs.

22 ATTACHING WEATHERSTRIPS (NOT INCLUDED)

NOTICE

WHEN PERMANENTLY ATTACHING THE WEATHERSTRIPS TO THE JAMBS, AVOID PUSHING THE WEATHER-STRIPS TOO TIGHTLY AGAINST THE FACE OF DOOR.

See Figure 16 for the following steps.

22a. Permanently attach the nails to the weatherstrips on both door jambs ① and the header ②. The weatherstrips were temporarily attached in Preparing the Opening, in the pre-installation section of this manual.

NOTE: For clarity, door isn't shown.

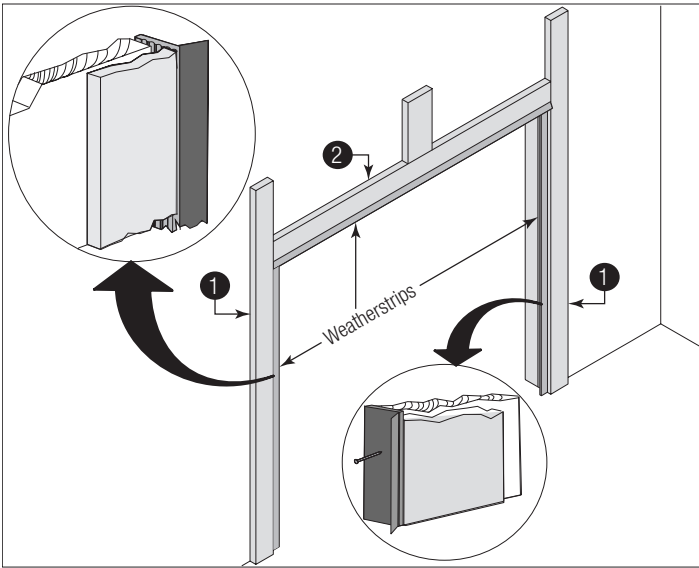


Figure 16, Weatherstrips

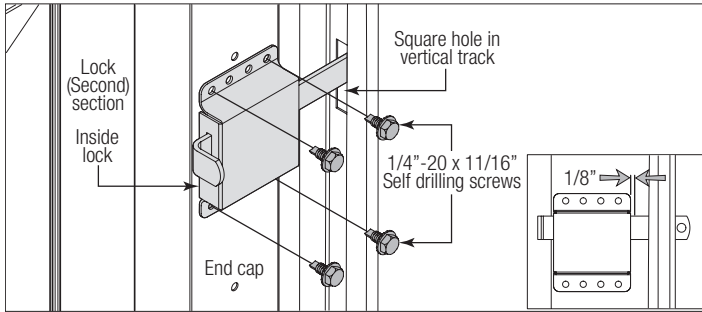
| | | | |
|---|------------|---|--------|
| 1 | Door Jambs | 2 | Header |
|---|------------|---|--------|

OPTIONAL INSTALLATION

Inside Lock

Install the inside lock on the second section of the door. Secure the lock to the section with (4) 1/4" - 20 x 11/16" self drilling screws. Square the lock assembly with the door section, and align with the square hole in the vertical track. The inside lock should be spaced approximately 1/8" away from the section edge.

IMPORTANT: Inside lock(s) must be removed or made inoperative in the unlocked position if an operator is installed on this door.

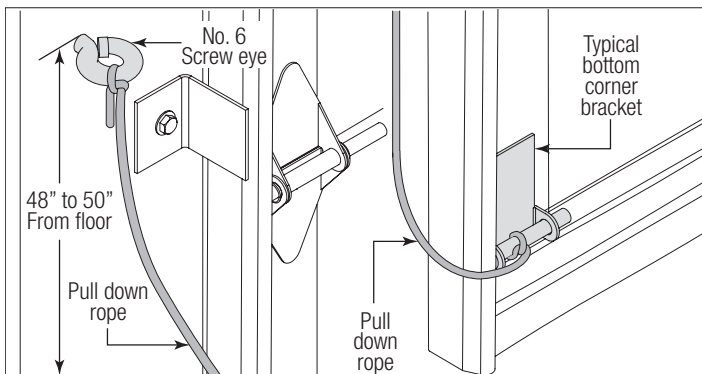


Pull Down Rope

WARNING

DO NOT INSTALL PULL DOWN ROPE ON DOORS WITH OPERATORS. CHILDREN MAY BECOME ENTANGLED IN THE ROPE CAUSING SEVERE OR FATAL INJURY.

Measure and mark the jamb approximately 48" to 50" (1220 to 1270 mm) from floor on the right or left side of jamb. Drill 1/8" pilot hole for no. 6 screw eye. Tie the pull down rope to the no. 6 screw eye and to the bottom corner bracket, as shown.



MAINTENANCE

Cleaning Your Garage Door

NOTICE

DO NOT USE A PRESSURE WASHER ON YOUR GARAGE DOOR!

While factory-applied finishes on garage doors are durable, it is desirable to clean them on a routine basis. Some discoloration of the finish may occur when a door has been exposed to dirt-laden atmosphere for a period of time. Slight chalking may also occur as a result of direct exposure to sunlight. Cleaning the door may help to restore the appearance of the finish. To maintain an aesthetically pleasing finish of the garage door, a periodic washing of the garage door is recommended.

The Following Cleaning Solution is Recommended:

A mild detergent solution consisting of one cup detergent (with less than 0.5% phosphate) dissolved into five gallons of warm water will aid in the removal of most dirt.

NOTICE

THE USE OF DETERGENTS CONTAINING GREATER THAN 0.5% PHOSPHATE IS NOT RECOMMENDED FOR USE IN GENERAL CLEANING OF GARAGE DOORS. BE SURE TO CLEAN BEHIND WEATHER-STRIPS ON BOTH SIDES AND TOP OF DOOR.

NOTICE

NEVER MIX CLEANSERS OR DETERGENTS WITH BLEACH.

NOTICE

DO NOT USE ANY WINDOW CLEANING FLUIDS, SCOURING COMPOUNDS, GRITTY CLOTHS OR SOLVENT-BASED CLEANERS OF ANY KIND.

To clean polycarbonate windows, see www.Wayne-Dalton.com.

Painting Your Garage Door

Refer to Instruction Insert "**Field Painting and Finishing Fiberglass or Steel Door Sections**".

Maintaining The Finish On Your Garage Door

If the factory finish is beginning to fade, the door may require a field applied top clear coat. Depending on environment and usage, this may be necessary after 1 to 3 years of use. Refer to Instruction Insert "**Field Painting and Finishing Fiberglass or Steel Door Sections**".

Operation And Maintenance

Operating Your Garage Door:

Before you begin, read all warning labels affixed to the door and the installation instructions and owner's manual. When correctly installed, your Wayne Dalton door will operate smoothly. Always operate your door with controlled movements. Do not slam your door or throw your door into the open position, this may cause damage to the door or its components. If your door has an electric opener, refer to the owner's manual to disconnect the opener before performing manual door operation below.

Manual Door Operation:

For additional information on manual garage door operation go to www.dasma.com and reference TDS 165.

CAUTION

DO NOT PLACE FINGERS OR HANDS INTO SECTION JOINTS WHEN OPENING AND/OR CLOSING A DOOR. ALWAYS USE LIFT HANDLES/SUITABLE GRIPPING POINTS WHEN OPERATING THE DOOR MANUALLY.

OPENING A DOOR: Make sure the lock (if present) are in the unlocked position. Lift the door by using the lift handles/suitable gripping points only. Door should open with little resistance.

CLOSING A DOOR: From inside the garage, pull door downward using lift handles/ gripping points only. If you are unable to reach the lift handles/suitable gripping points only, use pull-down rope (if present) affixed to the side of door. Door should close completely with little resistance.

Using An Electric Operator:

IMPORTANT: If present, Pull-down rope must be removed and locks must be removed or made inoperative in the unlocked position.

When connecting a drawbar (trolley-type) garage door operator to this door, a drawbar operator bracket must be securely attached to the top section of the door, along with any struts provided with the door. Always use the drawbar operator bracket supplied with the door. To avoid possible damage to your door, reinforce the top section with a strut (may or may not be supplied). The installation of the drawbar operator must be according to manufacturer's instructions and force settings must be adjusted properly. Refer to the owner's manual supplied with your drawbar operator for complete details on installation, operation, maintenance and testing of the operator.

Maintaining Your Garage Door:

Before you begin, read all warning labels affixed to the door and the installation instructions and owner's manual. Perform routine maintenance steps once a month, and have the door professionally inspected once a year. Review your Installation Instructions and Owner's Manual for the garage door. These instructions are available at no charge from Wayne Dalton, a division of Overhead Door Corporation, P.O. Box 67, Mt. Hope, OH, 44660, or at www.Wayne-Dalton.com. For additional information on garage door/operator maintenance go to www.dasma.com and reference TDS 151, 167 and 179.

Monthly Inspections:

1. Visual Inspection:

Closely inspect jambs, header and mounting surface. Any material found not to be structurally sound must be replaced. It may be necessary to uninstall part or all of the door assembly in order to replace defective material. Refer to the supplemental instructions "Removing an Existing Door/Preparing the Opening" at www.Wayne-Dalton.com. Inspect the spring(s), counterbalance lift cables, track rollers, pulleys, rear back hangs and other door hardware for signs of worn or broken parts. Tighten any loose screws and/or bolts, except on bottom corner brackets or on the counterbalance assembly. Check exterior surface of the door sections for any minor cracks. Verify door has not shifted right or left in the opening. If you suspect problems, contact a trained door system technician.

DANGER

GARAGE DOOR SPRINGS, COUNTERBALANCE LIFT CABLES, BRACKETS, AND OTHER HARDWARE ATTACHED TO THE SPRINGS ARE UNDER EXTREME TENSION, AND IF HANDLED IMPROPERLY, CAN CAUSE DEATH OR SERIOUS INJURY. ONLY A TRAINED DOOR SYSTEMS TECHNICIAN SHOULD ADJUST THEM, BY CAREFULLY FOLLOWING THE MANUFACTURER'S INSTRUCTIONS.

WARNING

NEVER REMOVE, ADJUST, OR LOOSEN THE BOLTS, SCREWS AND/OR LAG SCREWS ON THE COUNTERBALANCE (END BEARING BRACKETS, DRUMS OR SPRING SYSTEM) OR BOTTOM CORNER BRACKETS OF THE DOOR. THESE BRACKETS ARE CONNECTED TO THE SPRING(S) AND ARE UNDER EXTREME TENSION. TO AVOID POSSIBLE DEATH OR SERIOUS INJURY, HAVE ANY SUCH WORK PERFORMED BY A TRAINED DOOR SYSTEMS TECHNICIAN USING PROPER TOOLS AND INSTRUCTIONS.

Extension Springs:

The extension springs (located above the door) should only be adjusted by a trained door systems technician. **DO NOT** attempt to repair or adjust torsion springs yourself.

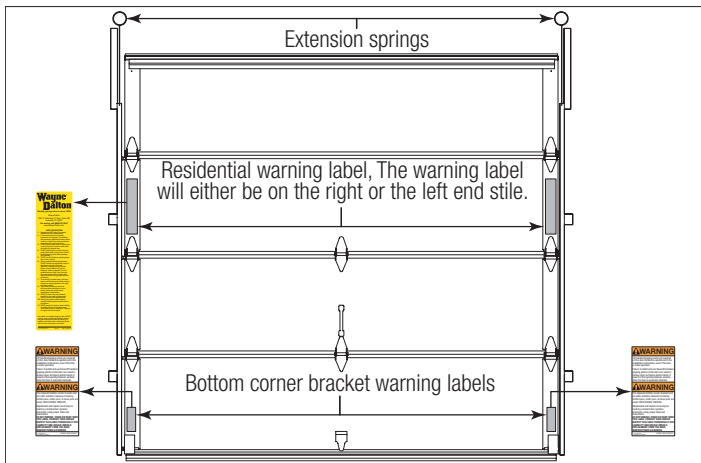
2. Door Balance:

Periodically test the balance of your door. If you have a garage door drawbar operator, use the release mechanism so you can operate the door by hand when doing this test. Start with the door in the fully closed position. Using handles or suitable gripping points, lift the door to check its balance. If door lifts by itself (hard to pull down) or if door is difficult to lift (easy to pull down), have it adjusted by a trained door systems technician. **DO NOT** attempt to repair or adjust Torsion Springs yourself.

3. Lubrication:

The door should open and close smoothly. Ensure the door track rollers are rotating freely when opening and closing the door. If track rollers do not rotate freely, clean the door tracks, removing dirt and any foreign substances. Clean and lubricate (use a non-silicon based lubricant) graduated end hinges, center hinges, steel track rollers, bearings and torsion springs (torsion spring coil surfaces). **DO NOT** lubricate plastic idler bearings, nylon track rollers, or the door track. **DO NOT** oil a cylinder lock. If actuation is difficult, use a graphite dust to lubricate.

Check for Presence of Safety Labels:





Models 8000, 8200, 8024 PO, & 8224 PO

Limited Warranty

Wayne Dalton, a division of Overhead Door Corporation ("Seller") warrants to the original purchaser of the Models 8000, 8200, 8024 PO, 8224 PO ("Product"), subject to all of the terms and conditions hereof, that the Product and all components thereof will be free from defects in materials and workmanship for the following period(s) of time, measured from the date of installation:

TEN (10) YEARS from the date of installation against:

- The Product becoming inoperable due to rust-through of the steel skin from the core of the Product section, due to cracking, splitting, or other deterioration of the steel skin, or due to structural failure caused by separation or degradation of the foam insulation.
- Peeling of the original paint as a result of a defect in the original paint or in the application of the original paint coating.

TEN (10) YEARS on Product hardware and tracks (except springs).

ONE (1) YEAR on all other component and parts.

Seller's obligation under this warranty is specifically limited to repairing or replacing, at its option, any part which is determined by Seller to be defective during the applicable warranty period. Any labor charges are excluded and will be the responsibility of the purchaser.

This warranty gives you specific legal rights, and you may also have other rights which vary from state to state. This warranty is made to the original purchaser of the Product only, and is not transferable or assignable. This warranty applies only to Product installed in a residential or other non-commercial application. It does not cover any Product installed in commercial or industrial building applications. This warranty does not apply to any unauthorized alteration or repair of the Product, or to any Product or component which has been damaged or deteriorated due to misuse, neglect, accident, failure to provide necessary maintenance, normal wear and tear, acts of God, or any other cause beyond the reasonable control of Seller or as a result of having been exposed to toxic or abrasive environments, including blowing sand, salt water, salt spray and toxic chemicals and fumes.

ALL EXPRESS AND IMPLIED WARRANTIES FOR THE PRODUCT, INCLUDING BUT NOT LIMITED TO ANY IMPLIED WARRANTIES OF MERCHANTABILITY AND FITNESS FOR A PARTICULAR PURPOSE, ARE LIMITED IN TIME TO THE APPLICABLE WARRANTY PERIOD REFLECTED ABOVE. NO WARRANTIES, WHETHER EXPRESS OR IMPLIED, WILL APPLY AFTER THE LIMITED WARRANTY PERIOD HAS EXPIRED. Some states do not allow limitations on how long an implied warranty lasts, so the above limitation may not apply to you.

IN NO EVENT SHALL SELLER BE RESPONSIBLE FOR, OR LIABLE TO ANYONE FOR, SPECIAL, INDIRECT, COLLATERAL, PUNITIVE, INCIDENTAL OR CONSEQUENTIAL DAMAGES, even if Seller has been advised of the possibility of such damages. Such excluded damages include, but are not limited to, loss of use, cost of any substitute product, or other similar indirect financial loss. Some states do not allow the exclusion or limitation of incidental or consequential damages, so the above limitation or exclusion may not apply to you.

Claims under this warranty must be made promptly after discovery, within the applicable warranty period, and in writing to the authorized distributor or installer whose name and address appear below. The purchaser must allow Seller a reasonable opportunity to inspect any Product claimed to be defective prior to removal or any alteration of its condition. Proof of the purchase and/or installation date, and identification as the original purchaser, may be required. There are no established informal dispute resolution procedures of the type described in the Magnuson-Moss Warranty Act.

SELLER: _____

SELLER'S ADDRESS: _____

Thank you for your purchase.

PLEASE DO NOT RETURN THIS PRODUCT TO THE STORE

If you need assistance, please call 1-866-569-3799 (press Option 1) and follow the prompts to contact a customer service representative. They will be happy to handle any questions that you may have.

After installation is complete, leave this Installation Instructions And Owner's Manual with the homeowner, or fasten it near garage door for easy reference.