

Wayne Dalton, a division of Overhead Door Corporation
P.O. Box 67, Mt. Hope, OH 44660
www.Wayne-Dalton.com

⚠ WARNING

THE HORIZONTAL TRACK HANGERS MUST BE SECURELY ATTACHED TO SOUND FRAMING MEMBERS AND BRACED ADEQUATELY, TO HOLD THE WEIGHT OF THE DOOR. OTHERWISE, THE DOOR COULD FALL WHEN RAISED INTO THE HORIZONTAL TRACKS, CAUSING SEVERE OR FATAL INJURY.

IMPORTANT: DO NOT USE 15 OR 16 GAUGE ANGLES WHEN INSTALLING DOORS WITH EXTENSION SPRINGS.

IMPORTANT: DO NOT SUPPORT THE WEIGHT OF THE DOOR ON ANY PART OF THE HORIZONTAL TRACK HANGER THAT CANTILEVERS 4" OR MORE BEYOND A SOUND FRAMING MEMBER.

⚠ WARNING

EXCEEDING THE LISTED DOOR WEIGHT LIMITATIONS OF SPECIFIC GAUGE ANGLES CAN RESULT IN DOOR FALLING WHEN RAISED, CAUSING SEVERE OR FATAL INJURY.

PERFORATED ANGLE GAUGE LIMITATIONS!	
Angle	Weight
12 Gauge	Door weight < 800 lbs.
13 Gauge	Door weight < 305 lbs.
15 Gauge	Door weight < 220 lbs.
16 Gauge	Door weight < 175 lbs.

NOTE: Typically, the highest loads are carried by the angle fastened horizontally to the ceiling.

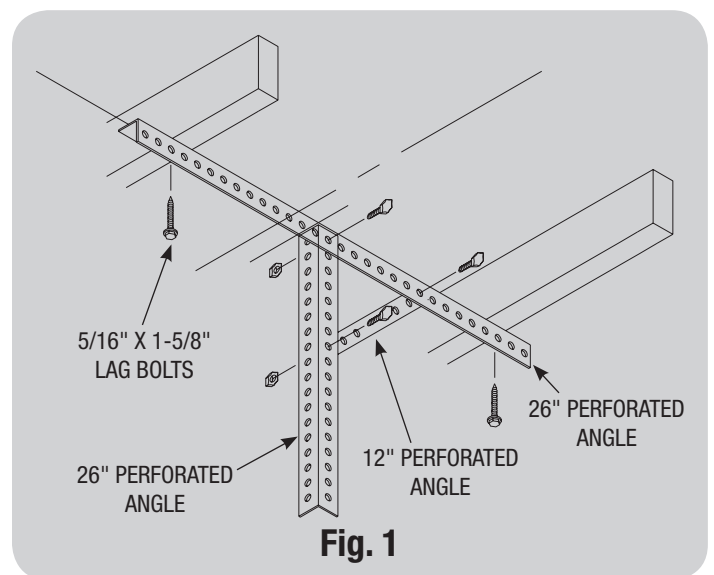
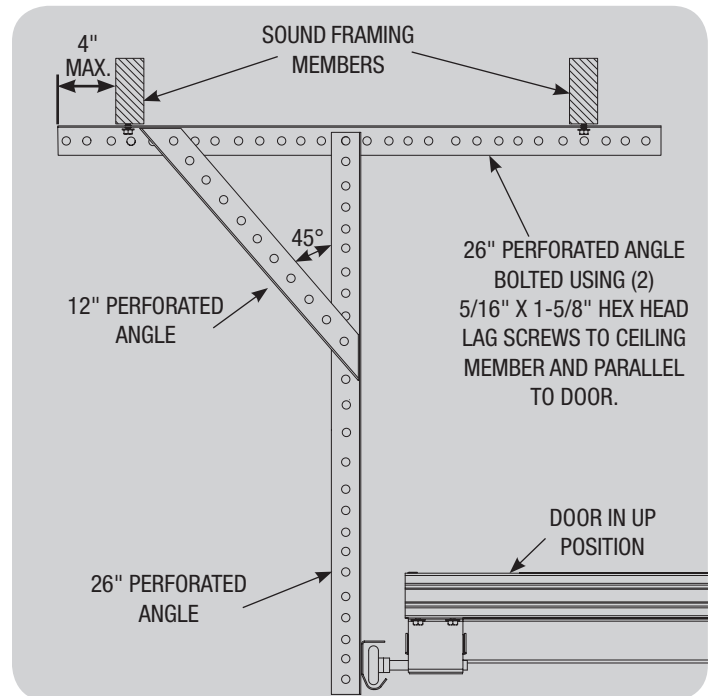
IF THE CEILING MEMBERS RUN PERPENDICULAR TO THE DOOR, align the 26" angles parallel to the door and centered above the back ends of the horizontal track. You may have to move the 26" angles to the left or right to cross at least (2) ceiling members. Fasten each 26" angle to (2) ceiling members with (2) 5/16"x1-5/8" lag bolts. (Fig. 1)

NOTE: If rear supports are to be installed over drywall, use 5/16" x 2" hex head lag bolts, which can be obtained at your local hardware store.

▶ STEP 1A

IF THE CEILING MEMBERS RUN PERPENDICULAR TO THE DOOR, align the 26" angles parallel to the door and centered above the back ends of the horizontal track. You may have to move the 26" angles to the left or right to cross at least (2) ceiling members. Fasten each 26" angle to (2) ceiling members with (2) 5/16"x1-5/8" lag bolts. (Fig. 1)

NOTE: If rear supports are to be installed over drywall, use 5/16" x 2" hex head lag bolts, which can be obtained at your local hardware store.



► **STEP 1B**

IF THE CEILING MEMBERS RUN PARALLEL TO THE DOOR, align the 26" angles parallel to the door, centered over the horizontal track and under the ceiling member closest to the back end of the horizontal track. Fasten each 26" angle to the ceiling member with (2) 5/16"x1-5/8" lag bolts. (Fig. 2)

NOTE: If rear supports are to be installed over drywall, use 5/16" x 2" hex head lag bolts, which can be obtained at your local hardware store.

► **STEP 2**

Loosely bolt the (2) 26" angles together and to the end of the horizontal tracks using (1) 5/16-18x1" hex head bolt in each end. (Fig. 3) Make sure the horizontal tracks are perpendicular to the header, parallel to each other and level. Adjust angles and bolts as necessary.

NOTE: The bolts used in the horizontal track end must extend into the track to serve as a roller stop.

► **STEP 3**

Loosely bolt the 12" angles at an angle between the (2) 26" angles using (1) 5/16-18x1" hex head bolt in each end. (Fig. 3)

► **STEP 4**

Tighten all bolts. Again check to make sure the horizontal tracks are perpendicular to the header, parallel to each other and level to ensure smooth and safe operation of the door. The completed back hanger assembly should look like Fig. 4.

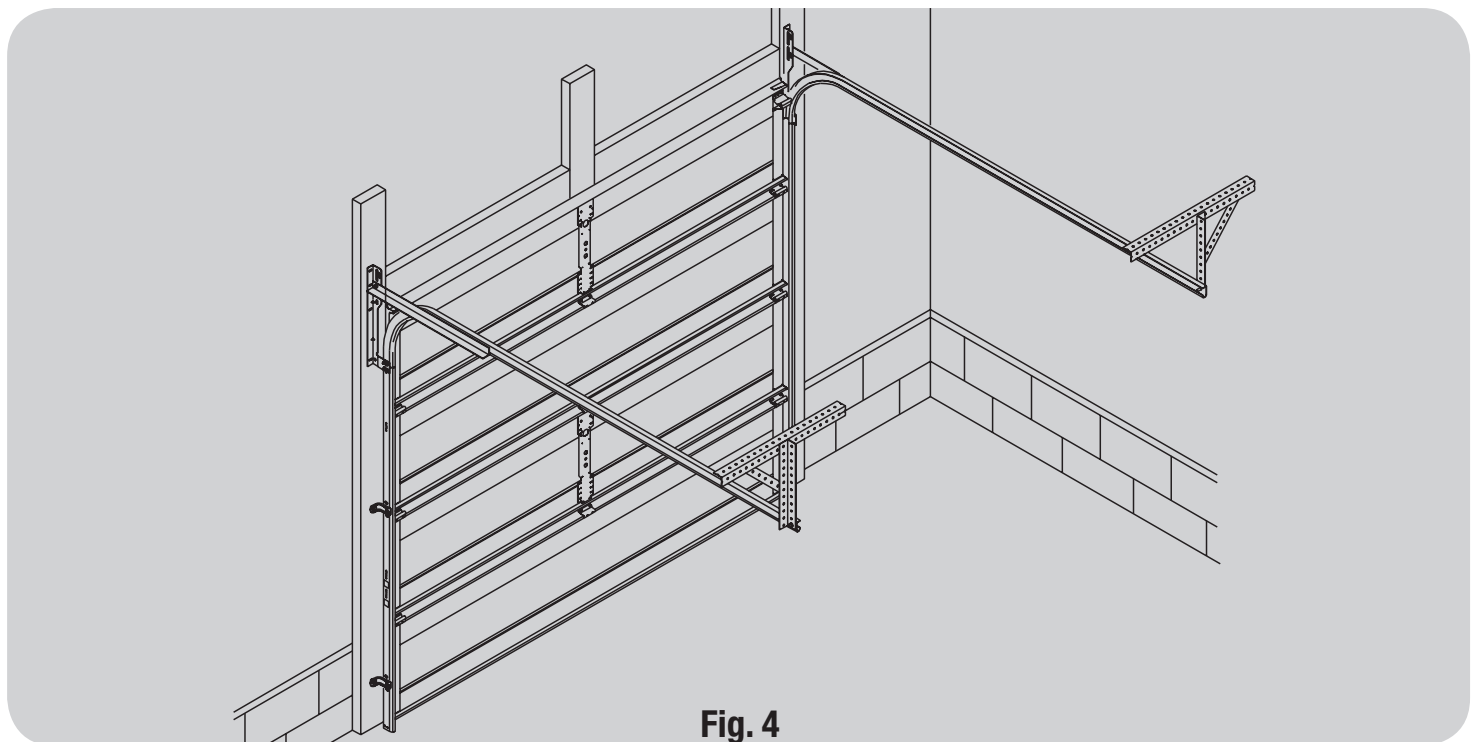
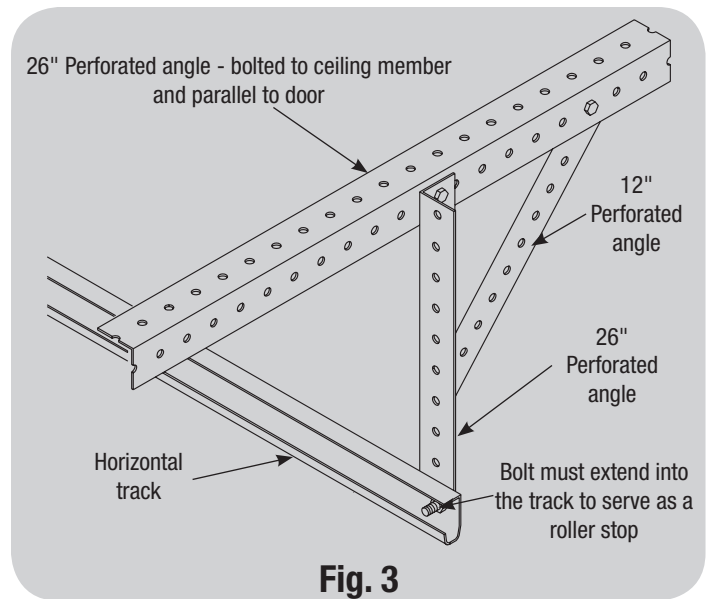
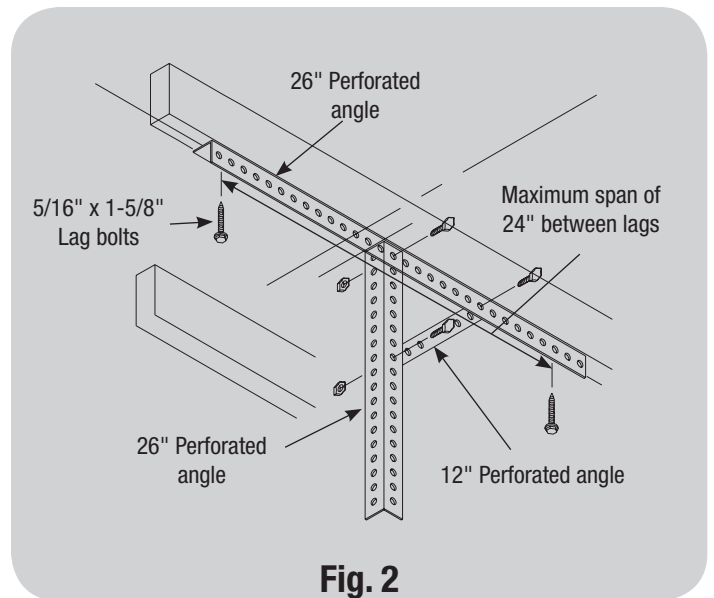


Fig. 4