

# HIGH LIFT/ VERTICAL LIFT

## Supplemental insert

This supplemental installation instruction is to be used as a supplement to the main Installation Instruction and Owner's Manual provided with the door. The instructions included in this document are ONLY those which deviate from the standard installation. All WARNINGS and CAUTIONS listed in the main manual are applicable to this supplemental instruction as well.

www.Wayne-Dalton.com

# BUMPER BRACKETS

**NOTE:** Bumper bracket must be installed to protect the top section from being damaged, when contacting the leaf bumper spring mounted on track.

**NOTE:** Prior to completing the U-bar Step in your main Installation Instruction and Owner's Manual provided with the door, complete the Bumper Bracket Step, as shown below.

1

### Tools Needed:

- Power Drill
- 7/16" Socket Driver
- Vice Clamps
- Phillips Head Screwdriver
- Step ladder

### Installing Bumper Brackets

#### BUMPER BRACKETS: (A)

**NOTE:** If you have a top section with a u-bar, you must remove (1) 1/4" - 20 x 11/16" self drilling screw from the top portion of the u-bar, as shown in FIG. 1.1.

Starting on left hand side of top section, locate the outside edge of the top section and seat the outside edge of bracket on male part of the top section, as shown in FIG. 1.1 and 1.2.

Install (2) #12 x 1/2" phillips head screws on the opposite side of bracket, as shown in FIG. 1.3.

#### For top section with u-bar:

Using a vice clamp, clamp bracket to u-bar (if furnished), as shown in FIG. 1.4.

First attach (3) 1/4" - 14 x 5/8" self-tapping screws to the bracket, as shown in FIG. 1.5.

Then attach (2) 1/4" - 14 x 5/8" self-tapping screws to the bracket, as shown in FIG. 1.6.

Remove vice clamps and repeat the same process for the right hand side of top section.

**NOTE:** When attaching bracket to top section with u-bar, apply additional pressure to thread into the u-bar.

#### For top section without u-bar:

Attach (5) 1/4" - 14 x 5/8" self-tapping screws to the bracket. Repeat the same process for the right hand side of top section.

#### BUMPER BRACKETS: (B)

Starting on left hand side of top section, locate the outside edge of the top section and seat the outside edge of bracket on male part of the top section, as shown in FIG. 1.7.

Attach (2) 1/4" - 14 x 7/8" self-drilling screws to the bracket, as shown in FIG. 1.8.

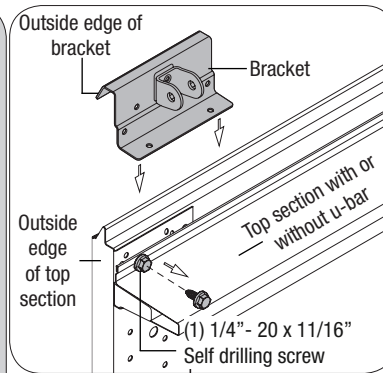


FIG. 1.1

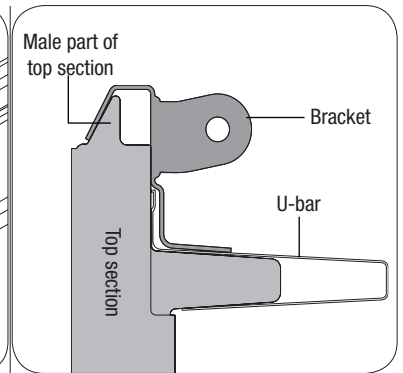


FIG. 1.2

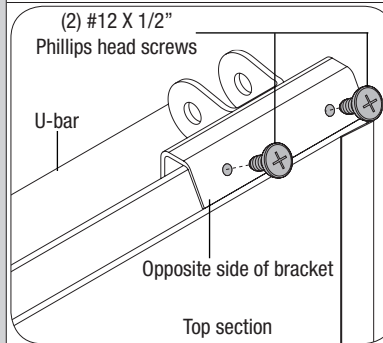


FIG. 1.3

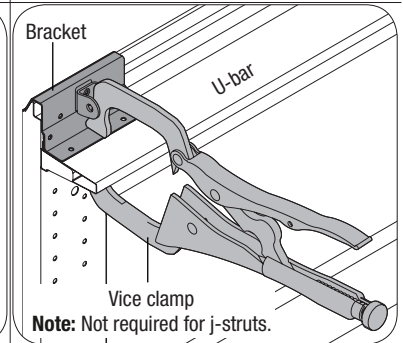


FIG. 1.4

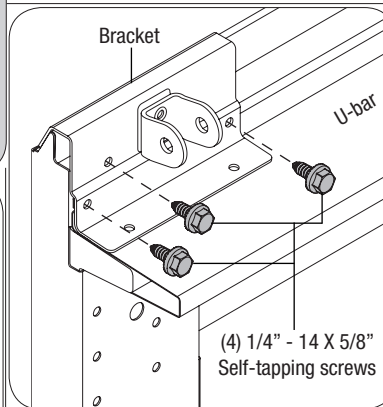


FIG. 1.5

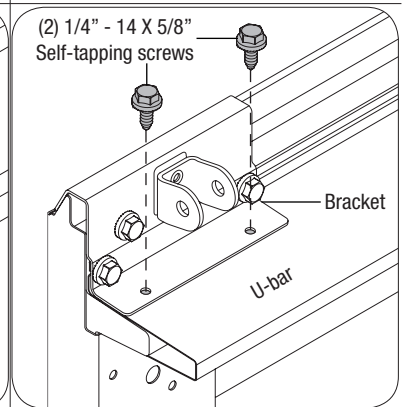


FIG. 1.6

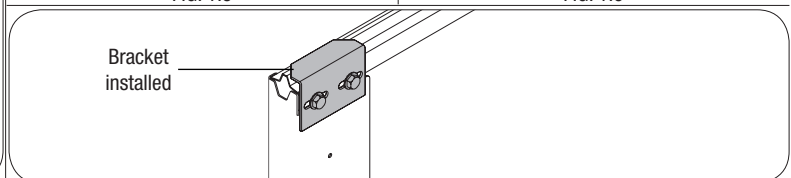


FIG. 1.8

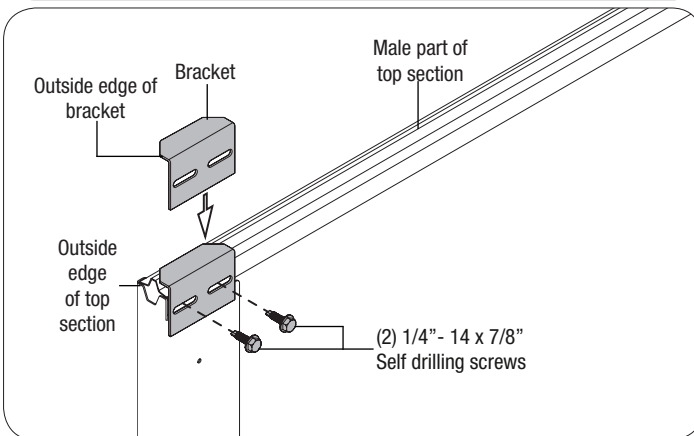


FIG. 1.7

# LEAF BUMPER SPRINGS

**NOTE:** Once this step is completed, refer to steps High Lift / Roof Pitch or Vertical Lift / Semi-Vertical Lift of this insert.

1

## Tools Needed:

- Ratchet Wrench
- 9/16" Socket
- 9/16" Wrench
- Step ladder

## Installing Leaf Bumper Springs

Attach the leaf bumper spring to the "L" shaped bumper spring bracket, as shown using (2) 3/8"-16 x 1" bolts and (2) 3/8"-16 hex nuts. Raise the door to 2" - 4" past the full open position. Align leaf bumper spring with the return flange of the top bracket. Attach the leaf bumper spring assembly to the horizontal track using (2) 3/8"-16 X 3/4" truss head bolts and (2) 3/8"-16 hex nuts. DO NOT WELD.

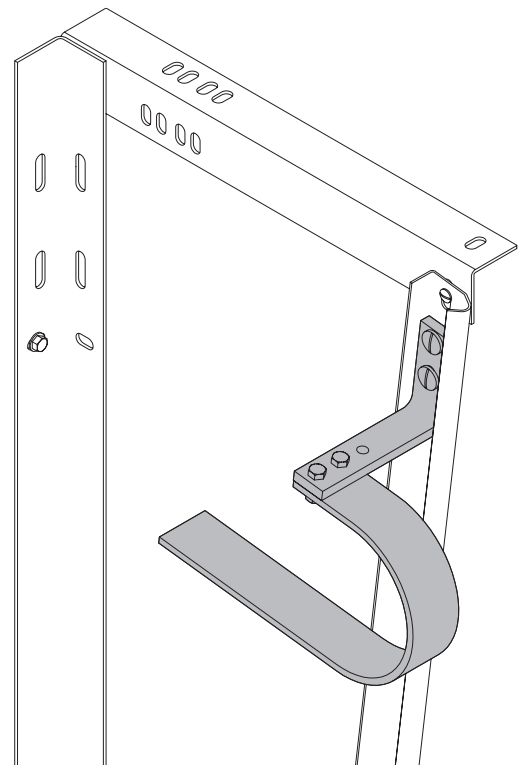
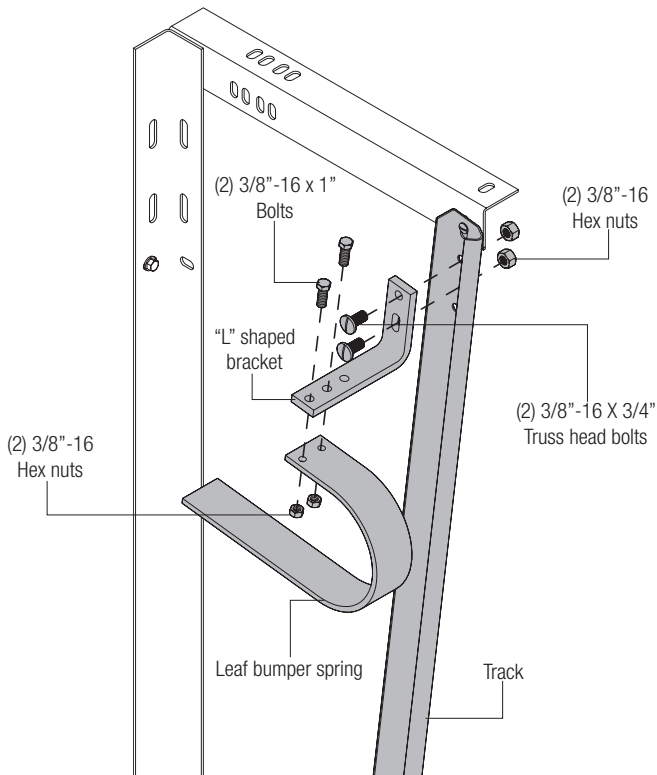
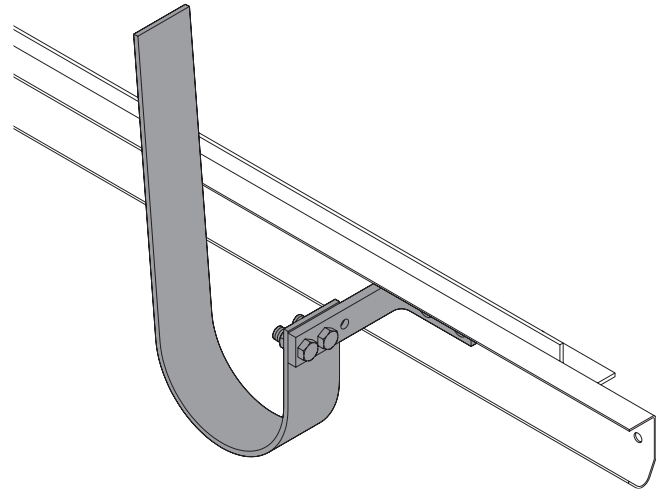
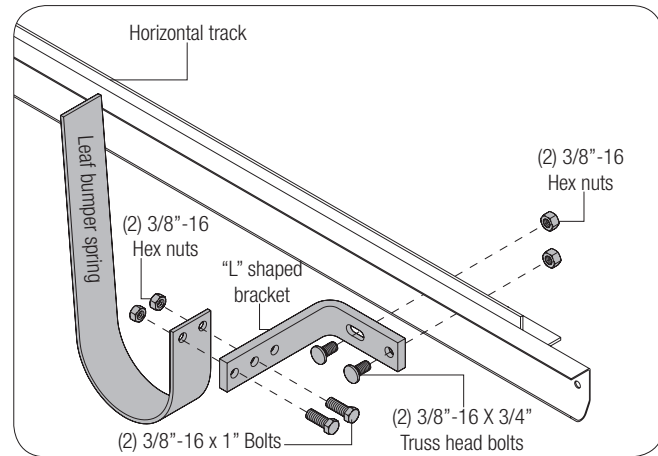
**IMPORTANT:** Back hangers must be installed before attempting to raise the door.

### WARNING

BACK HANGERS MUST BE INSTALLED BEFORE ATTEMPTING TO RAISE THE DOOR. FAILURE TO DO SO CAN RESULT IN DOOR FALLING AND CAUSING SEVERE INJURY OR DEATH.

### WARNING

ATTACHING LEAF BUMPER SPRINGS BY WELDING CAN CAUSE SPRINGS TO BREAK WHEN IMPACTED BY DOOR, RESULTING IN SERIOUS INJURY OR DEATH FROM FALLING PIECES.



2

# HIGH LIFT / ROOF PITCH

**NOTE:** Once this step is completed, refer to your main Installation Instruction and Owner's Manual provided with the door and complete the rest of the steps starting at Step at Adjusting Top Brackets.

1

## Installing High Lift Track

### Tools Needed:

- Power Drill
- 3/16" Drill Bit
- 7/16" Socket Driver
- 7/16" Wrench
- Flathead Screwdriver
- Level
- Tape Measure
- Step ladder

**IMPORTANT:** The tops of the high lift track must be level from side to side.

With assistance and starting on the right hand side, loosely fasten the high lift track to the lower track splice plate using (2) 1/4" - 20 x 9/16" track bolts and (2) 1/4" - 20 flange hex nuts.

Drill 3/16" pilot holes into the jambs marking each of the slotted hole location(s) of the high lift track. Loosely fasten high lift track to the jamb using (1) 5/16" x 1-5/8" lag screws at each slotted hole location.

High lift track must be level and parallel to the door within 3/4"-7/8" (19mm-22mm) of door edge. Repeat same process for the left hand side.

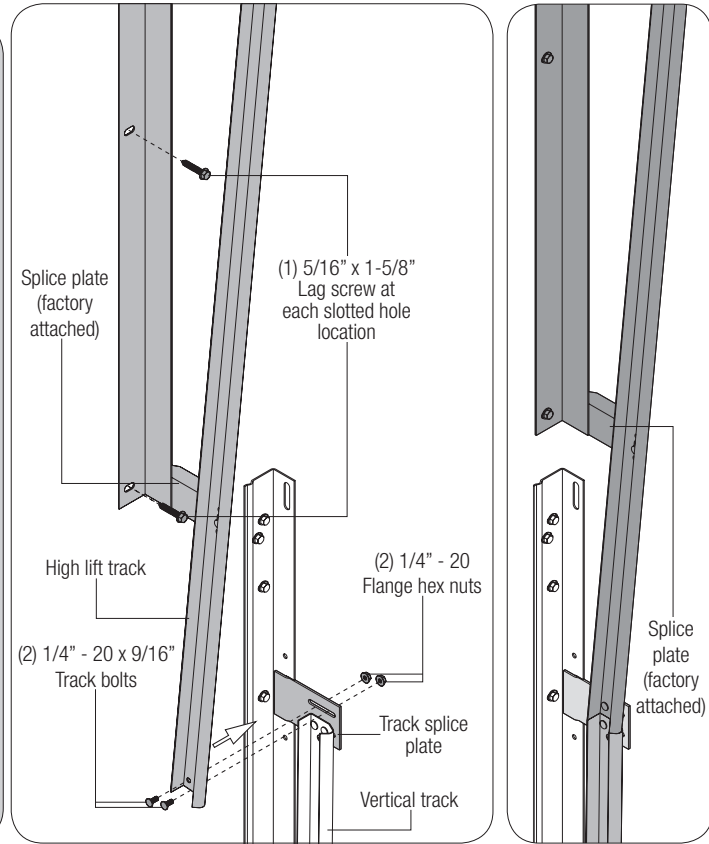
### **⚠ WARNING**

KEEP HIGH LIFT TRACKS PARALLEL AND WITHIN 3/4"-7/8" (19mm-22mm) OF DOOR EDGE, OTHERWISE DOOR COULD FALL, RESULTING IN SEVERE OR FATAL INJURY.

**IMPORTANT:** HIGH LIFT TRACKS ARE NOT INTENDED TO SUPPORT WEIGHT. TO AVOID SERIOUS OR FATAL INJURY, DO NOT HANG OR SUPPORT ANY OBJECTS.

**NOTE:** Quantity and locations of the splice plate (factory attached) may vary, depending upon specific door applications.

After the high lift tracks are properly attached to the door jamb, tighten all 5/16" x 1-5/8" lag screws and all 1/4"- 20 x 9/16" track bolts and 1/4"-20 flange hex nuts.



2

## Installing Horizontal Track

### Tools Needed:

- Ratchet Wrench
- 9/16" Socket
- 9/16", 7/16" Wrench
- Flathead Screwdriver
- Level
- Step ladder

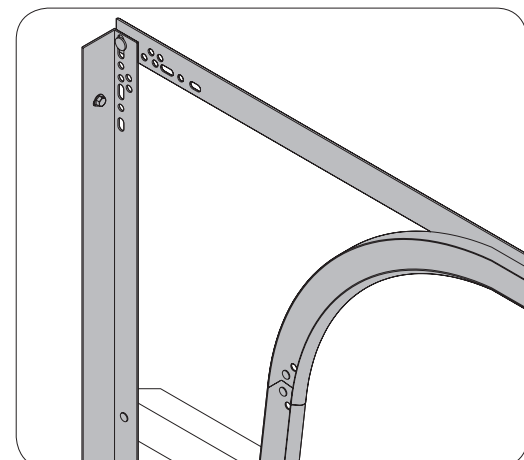
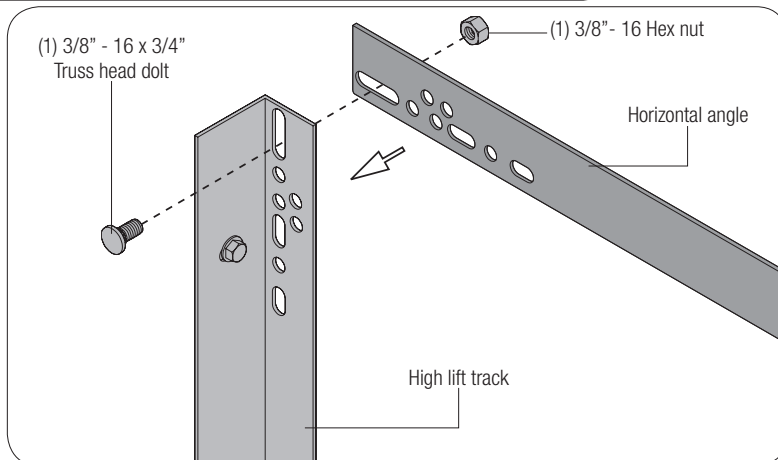
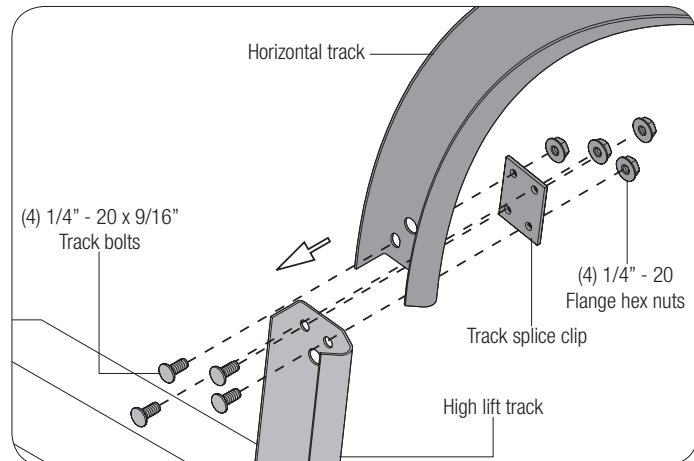
With assistance and starting on the right hand side, align the bottom of the horizontal track with the high lift track. Hand tighten the horizontal track to the high lift track with the (1) track splice clip, (4) 1/4" - 20 x 9/16" track bolts and (4) 1/4"-20 flange hex nuts.

### **⚠ WARNING**

DO NOT RAISE DOOR UNTIL HORIZONTAL TRACKS ARE SECURED AT REAR, AS OUTLINED IN STEP REAR SUPPORT, OR DOOR COULD FALL FROM OVERHEAD POSITION CAUSING SEVERE OR FATAL INJURY.

Level the horizontal track and bolt the horizontal angle to the slot in the high lift track using (1) 3/8"-16 x 3/4" truss head bolt and (1) 3/8"-16 hex nut.

Repeat same process for the left hand side.



# VERTICAL LIFT/ SEMI-VERTICAL LIFT

**NOTE:** Once this step is completed, refer to your main Installation Instruction and Owner's Manual provided with the door and complete the rest of the steps starting at Step at Adjusting Top Brackets.

1

## Installing Upper Vertical Track

### Tools Needed:

Power Drill  
3/16" Drill Bit  
7/16" Socket Driver  
7/16" Wrench  
Flathead Screwdriver  
Level  
Tape Measure  
Step ladder

**IMPORTANT:** The tops of the upper vertical track must be level from side to side.

With assistance and starting on the right hand side, loosely fasten the upper vertical track to the lower track splice plate using (2) 1/4" - 20 x 9/16" track bolts and (2) 1/4"-20 flange hex nuts.

Drill 3/16" pilot holes into the jambs marking each of the slotted hole location(s) of the upper vertical track. Loosely fasten upper vertical track to the jamb using (1) 5/16" x 1-5/8" lag screw at each slotted hole location.

Upper vertical tracks must be level and parallel to the door within 3/4"-7/8" (19mm-22mm) of door edge. Repeat same process for the left hand side.

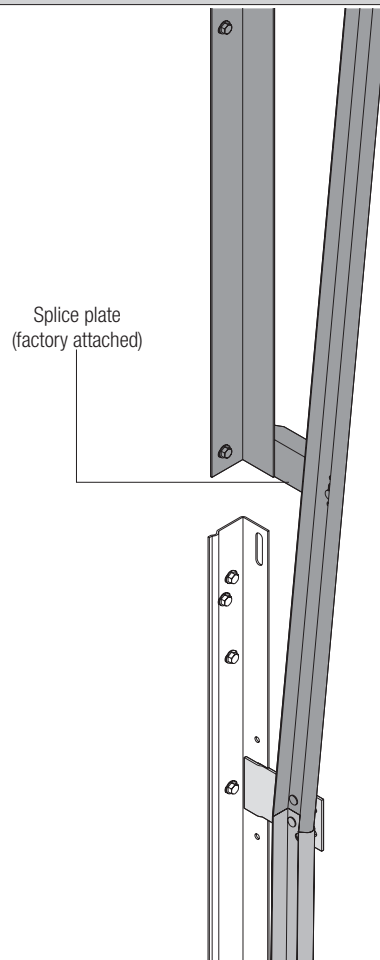
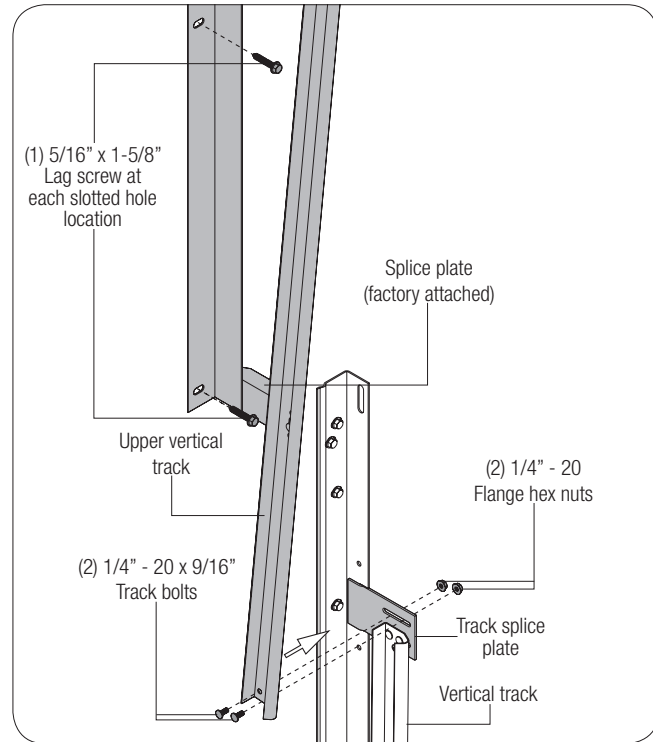
### **⚠ WARNING**

KEEP UPPER VERTICAL TRACKS PARALLEL AND WITHIN 3/4"-7/8" (19mm-22mm) OF DOOR EDGE, OTHERWISE DOOR COULD FALL, RESULTING IN SEVERE OR FATAL INJURY.

**IMPORTANT:** UPPER VERTICAL TRACKS ARE NOT INTENDED TO SUPPORT WEIGHT. TO AVOID SERIOUS OR FATAL INJURY, DO NOT HANG OR SUPPORT ANY OBJECTS.

**NOTE:** Quantity and locations of the splice plate (factory attached) may vary, depending upon specific door applications.

After the upper vertical tracks are properly attached to the door jamb, tighten all 5/16" x 1-5/8" lag screws and all 1/4" - 20 x 9/16" track bolts and 1/4"-20 flange hex nuts.



# LATERAL BRACES

**NOTE:** The lateral brace Step is only to be completed if you completed the Vertical lift / Semi-Vertical Lift Step on page 4.

1

## Installing Lateral Braces

### Tools Needed:

Ratchet Wrench  
9/16" Socket  
9/16" Wrench  
Step ladder

For an added measure of safety and using perforated angles, 5/16" x 1-5/8" hex head lag screws, 5/16" - 18 x 1-1/4" hex bolts and 5/16" - 18 nuts (may not be supplied), fabricate lateral braces for the upper vertical tracks.

Attach the lateral braces at the top of the upper vertical track to the wall, to ensure proper track spacing will be maintained.

**NOTE:** For smaller size doors it is necessary to attach a lateral brace the entire distance from track to track in addition to mounting lateral braces to the wall.

**NOTE:** Do not permanently secure lateral braces until the door and track have been checked for proper clearances.

### WARNING

FAILURE TO PROPERLY BRACE UPPER VERTICAL TRACKS CAN RESULT IN DOOR FREE FALLING, CAUSING SEVERE OR FATAL INJURY TO PERSON(S) IN VICINITY OF DOOR.

### WARNING

IT IS STRONGLY RECOMMENDED THAT SAFETY COMPONENT OPTIONS, SUCH AS CABLE FAILURE DEVICES BE USED WITH EVERY HIGH LIFT OR VERTICAL LIFT TRACK INSTALLATION. IF DOOR IS, OR LATER BECOMES MOTOR OPERATED, SENSING EDGES AND ELECTRICAL INTERLOCKS WITH DOCK LEVELERS AND OPERATIONAL DOOR LOCKS SHOULD BE INSTALLED. WITHOUT SUCH SAFETY EQUIPMENT, A DOOR THAT BECOMES INOPERATIVE IN THE OPEN POSITION COULD FREE-FALL, CAUSING SEVERE OR FATAL INJURY.

