

WayneGard™ 9200, 9600, 9900 Series Adjustable Operator Bracket

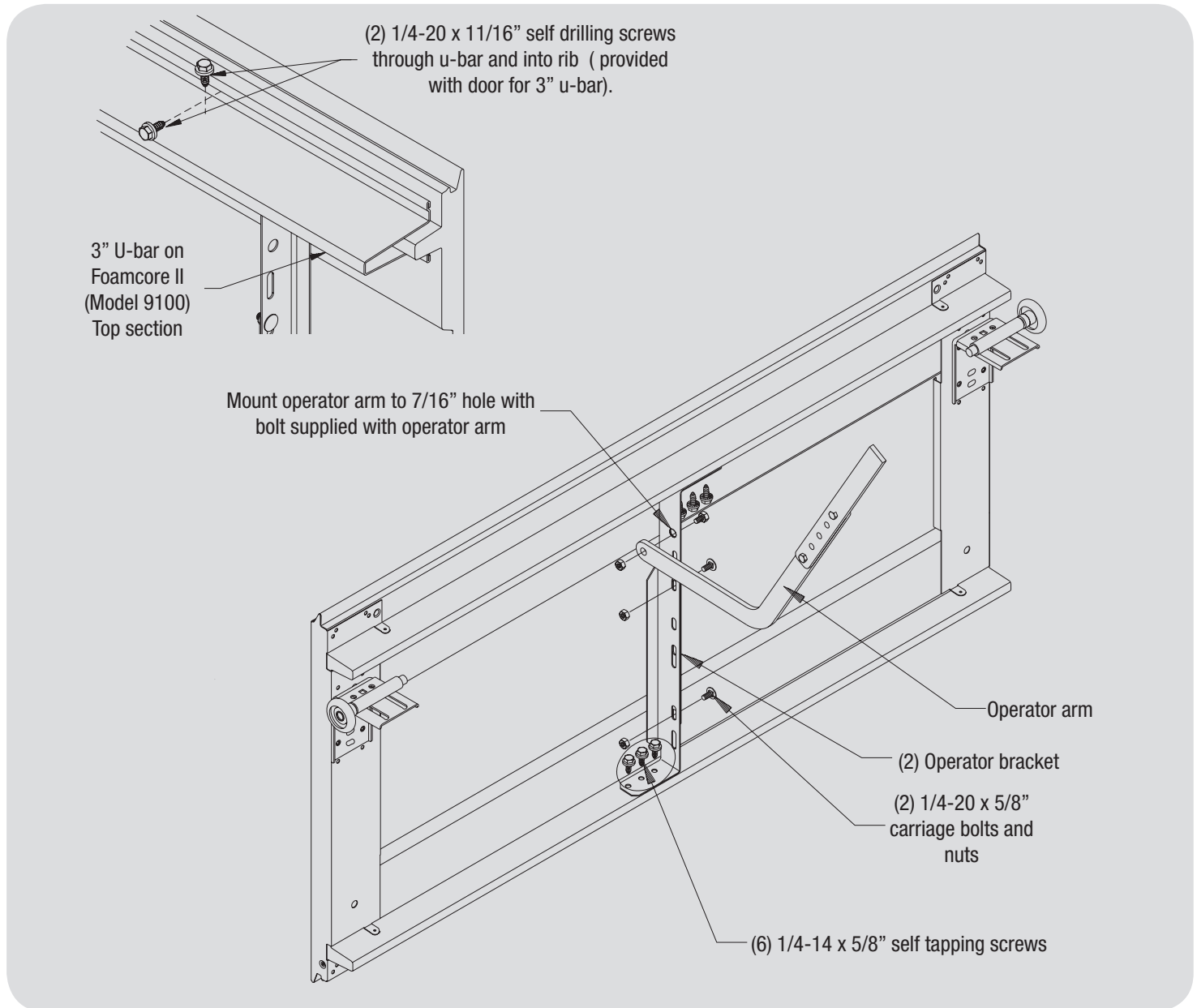
Wayne Dalton, a division of Overhead Door Corporation
P.O. Box 67, Mt. Hope, OH 44660
www.Wayne-Dalton.com

Installation Instruction Insert

Use this insert in conjunction with the installation manual provided with the door. Follow the corresponding steps in this insert with the steps in the installation manual.

Components:

- 236565 - (6) 1/4-14 X 5/8" self tapping screws
- 306657 - (2) 1/4-20 X 5/8" Carriage bolts
- 100279 - (2) 1/4-20 Nuts
- 306891 - (2) Operator bracket



Align both pieces of the operator bracket between the ribs on the top section. Loosely assemble the brackets using (2) 1/4-20 x 5/8" carriage bolts and nuts. Attach the assembly at the center of the door section using (6) 1/4-14 x 5/8" self tapping screws. Tighten both 1/4-20 x 5/8" bolts. Attach operator arm to 7/16" hole at the upper end of the operator bracket assembly.