

CABLE KEEPERS

Supplemental Insert

This supplemental installation instruction is to be used as a supplement to the main Installation Instruction and Owner's Manual provided with the door. The instructions included in this document are only those which deviate from the standard installation. All warnings and cautions listed in the main manual are applicable to this supplemental instruction as well.

www.wayne-dalton.com

Cable Keepers

Tools Needed:

Power Drill
1/8" Drill Bit
7/16" Socket Driver
Tape Measure

Carefully inspect the counterbalance lift cables on your door. If they are worn, frayed or broken, contact a qualified door service company to replace the counterbalance lift cables before installing the cable keepers.

⚠ WARNING

OPERATING A DOOR WITH FRAYED OR BROKEN COUNTERBALANCE LIFT CABLES CAN RESULT IN SEVERE OR FATAL INJURY. CONTACT A QUALIFIED DOOR SERVICE COMPANY TO REPLACE FRAYED OR BROKEN CABLES BEFORE INSTALLING CABLE KEEPERS.

⚠ WARNING

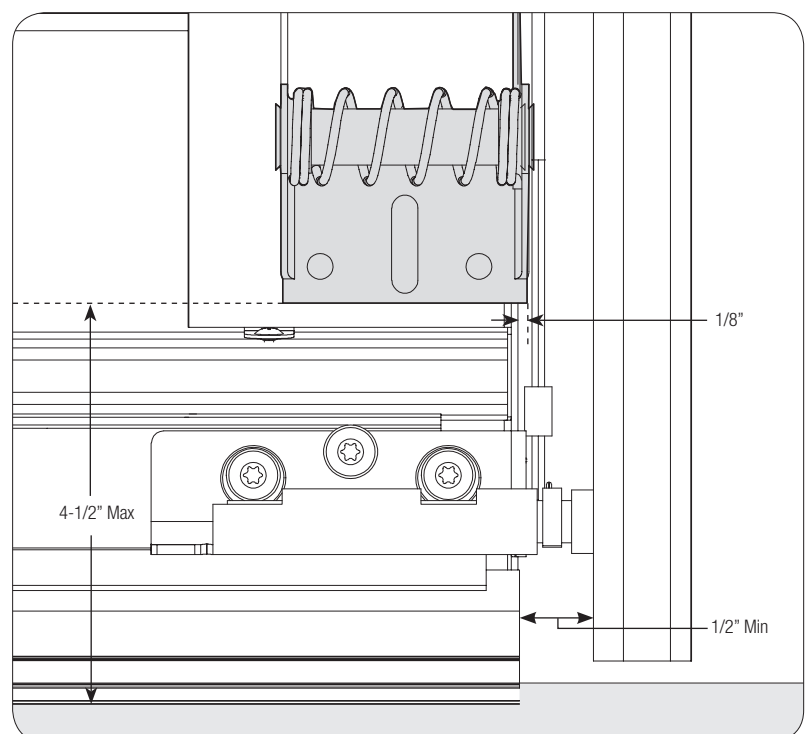
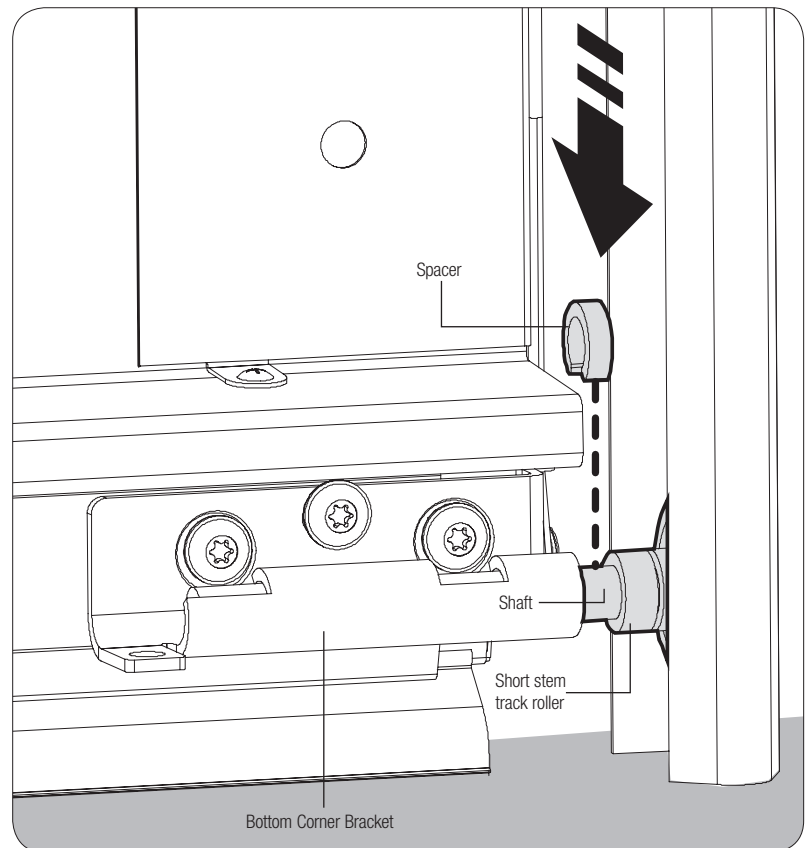
DO NOT ATTEMPT TO LOOSEN OR REMOVE BOTTOM CORNER BRACKETS. THEY ARE UNDER EXTREME SPRING TENSION AND CAN CAUSE SEVERE OR FATAL INJURY.

Push spacer onto the shaft between the short stem track roller and the bottom corner bracket. Use an additional spacer if needed to achieve a minimum of 1/2" clearance.

If there is less than 1/2" clearance, loosen the lag screws attaching the track to the wall and adjust the track for the 1/2" clearance. Re-tighten the lag screws.

Position the right hand (black) cable keeper assembly directly above the garage door bottom corner bracket. The cable keeper assembly must extend 1/8" past the end of the door section. Ensure there is no more than 4-1/2" from the bottom edge of the door to bottom of cable keeper.

IMPORTANT: RIGHT AND LEFT HAND IS ALWAYS DETERMINED FROM INSIDE THE BUILDING LOOKING OUT.



Cable Keepers Continued

Fasten the cable keeper assemblies with (2) 1/4" - 20 x 11/16" self drilling screws (wood doors will use (2) 1/4" x 1" lag screws). Once the cable keeper assemblies are secured to the bottom section, place the plastic sleeve over the counterbalance lift cable and then rotate the cable keeper arm upward and attach it to the plastic sleeve.

Repeat the same process for the left hand (Red) cable keeper assembly.

NOTE: It is recommended that wood doors be pre-drilled with 1/8" pilot holes prior to fastening.

