

Wayne Dalton, a division of Overhead Door Corporation  
P.O. Box 67, Mt. Hope, OH 44660  
www.Wayne-Dalton.com

Use this insert in conjunction with the installation manual provided with the door. Follow the corresponding steps in this insert with the steps in the installation manual.

**ADJUSTABLE TRACK KIT**

12" radius adjustable track kit - 257231

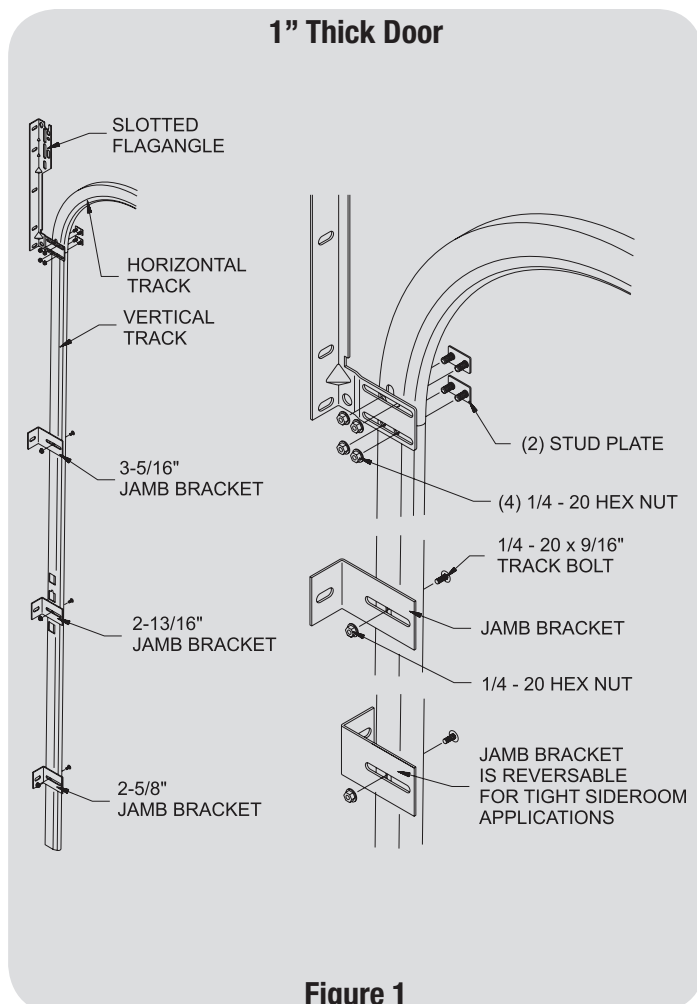
15" radius adjustable track kit - 257232

**Components:**

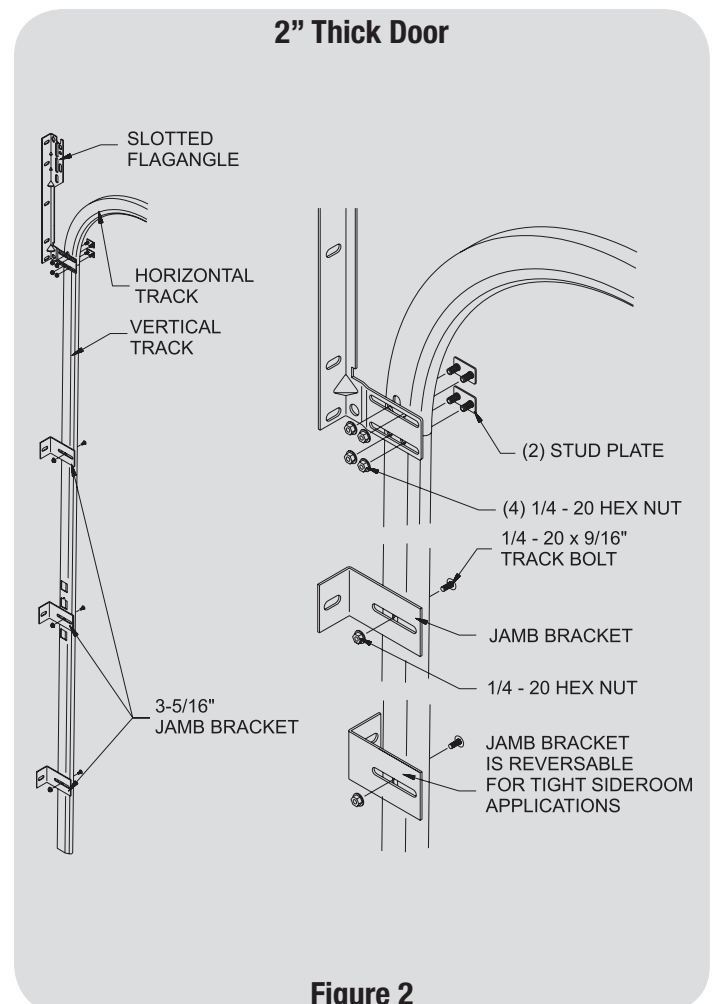
- (1) pair Slotted Flag Angle (Long Slots)
- (2) 2-5/8" Jamb Bracket
- (2) 2-13/16" Jamb Bracket
- (6) 3-5/16" Jamb Bracket
- (4) Stud Plate
- (6) 1/4 - 20 x 9/16" Track Bolts
- (14) 1/4 - 20 Hex Head Nuts

**INSTALLING THE ADJUSTABLE TRACK KIT**

For 1" door applications follow the illustrations in Figure 1. Locate the 2-5/8" jamb bracket in the lowest vertical track position. Center the 2-13/16" and 3-5/16" jamb brackets between the flagangle & bottom jamb bracket. Secure the jamb brackets to the vertical track using a 1/4 - 20 x 9/16" track bolt & hex nut. Only two (2) jamb brackets are required for door heights 7' and under. Three (3) jamb brackets are required for door heights greater than 7'. The jamb brackets are reversible for tight sideroom applications. For 2" door applications follow the illustrations in Figure 2. Only 3-5/16" jamb brackets are required for all vertical track positions. Secure the vertical and horizontal track to the flagangle using (2) stud plates and (4) 1/4 - 20 hex nuts.



**Figure 1**



**Figure 2**