

**INSTALLATION INSTRUCTIONS AND OWNER'S MANUAL**

**Model 8700**

**RESIDENTIAL**  
**STANDARD LIFT**

**EXTENSION**

**PLEASE DO NOT RETURN THIS PRODUCT TO**  
**THE STORE**

If you need assistance, please call 1-866-569-3799 (press Option 1) and follow the prompts to contact a customer service representative. They will be happy to handle any questions that you may have.

**IMPORTANT NOTICES!**

Carefully read and fully understand the enclosed instructions before installing and operating the garage door.

Pay close attention to all warnings and notes.

After installation is complete, fasten this manual near garage door for easy reference.

This Installation document is available at no charge from:

- Your local Wayne Dalton Sales Center
- Online at **[www.Wayne-Dalton.com](http://www.Wayne-Dalton.com)**
- By mailing a request to: Wayne Dalton, a division of Overhead Door Corporation, P.O. Box 67, Mt. Hope, OH., 44660

# Table Of Contents

<b>PRE-INSTALLATION</b>	<b>3</b>
Important Safety Instructions	3
<b>REMOVING AN EXISTING DOOR AND PREPARING THE OPENING</b>	<b>5</b>
Package Contents	6
Door Section Identification	8
Tools Required	8
<b>BREAKDOWN OF DOOR COMPONENTS</b>	<b>9</b>
<b>BREAKDOWN OF COUNTERBALANCE COMPONENTS</b>	<b>10</b>
<b>INSTALLATION INSTRUCTIONS</b>	<b>11</b>
Door Installation Instructions	11
<b>COUNTERBALANCE INSTALLATION INSTRUCTIONS</b>	<b>20</b>
<b>OPTIONAL INSTALLATION</b>	<b>26</b>
Trolley Arm Hookup	26
Inside Lock	26
Pull Down Rope	26
<b>MAINTENANCE</b>	<b>27</b>
Cleaning Your Garage Door	27
Operation And Maintenance	27
<b>WARRANTY</b>	<b>29</b>

## Important Safety Instructions

### DEFINITION OF KEY WORDS USED IN THIS MANUAL:

#### **DANGER**

INDICATES A HAZARDOUS SITUATION THAT, IF NOT AVOIDED, WILL RESULT IN DEATH OR SERIOUS INJURY.

#### **WARNING**

INDICATES A HAZARDOUS SITUATION THAT, IF NOT AVOIDED, COULD RESULT IN DEATH OR SERIOUS INJURY.

#### **CAUTION**

INDICATES A HAZARDOUS SITUATION THAT, IF NOT AVOIDED, COULD RESULT IN MINOR OR MODERATE INJURY.

#### **NOTICE**

INDICATES INFORMATION CONSIDERED IMPORTANT, THAT IT IS NOT RELATED TO INJURY, BUT MAY RESULT IN PROPERTY DAMAGE.

**IMPORTANT:** Required key step for proper door operation.

**NOTE:** Information only.

### Installation:

#### **WARNING**

INSTALLING THIS DOOR PROPERLY REQUIRES THE USE OF SPECIAL TOOLS AND TECHNIQUES. ALWAYS USE THE CORRECT TOOLS OR TECHNIQUES WHEN PERFORMING INSTALLATION. FAILURE TO USE PROPER TOOLS OR TECHNIQUES OR ADHERE TO SAFETY MESSAGES, COULD RESULT IN SEVERE OR FATAL INJURY.

#### **DANGER**

EXTREME CAUTION SHOULD BE USED WHEN WINDING SPRINGS AS FAILURE TO FOLLOW THE INSTRUCTIONS OR USE THE PROPER TOOLS CAN LEAD TO SERIOUS INJURY TO PERSONS AND PROPERTY. BEFORE ATTEMPTING TO WIND THE SPRING, MAKE SURE YOU HAVE READ AND UNDERSTAND THE INSTRUCTIONS. IF YOU ARE UNCLEAR ON ANY ASPECT OF THE INSTALLATION PROCEDURES, YOU SHOULD CONSULT A TRAINED DOOR SYSTEMS TECHNICIAN.

- READ THESE INSTRUCTIONS CAREFULLY BEFORE ATTEMPTING INSTALLATION. IF YOU ARE IN QUESTION ABOUT ANY OF THE PROCEDURES, DO NOT PERFORM THE WORK. INSTEAD, HAVE A TRAINED DOOR SYSTEMS TECHNICIAN DO THE INSTALLATION OR REPAIRS.
- Wear protective gloves and eye protection during installation, to avoid possible injury.
- **DO NOT** install door in windy conditions. Door could fall during the installation, causing severe or fatal injury.
- Doors 12'-0" wide and larger should be installed by two persons, to avoid possible injury.
- On electrically operated doors, pull down ropes must be removed and locks must be removed or made inoperative in the open (unlocked) position, unless electrical interlocks are installed.
- Impact guns are not recommended. When installing 5/16" lag screws using an electric drill/ driver, the drill/ drivers clutch must be set to deliver no more than 200 in-lbs of torque. Fastener failure could occur at higher settings.
- Check with your local building official for wind load code requirements and building permit information.
- For windloaded doors, the wind performance is achieved via the entire door system and component substitution is not authorized without express permission by the manufacturer.

#### **CAUTION**



IF ANY PART OF THE DOOR IS TO BE INSTALLED ONTO PRESERVATIVE-TREATED WOOD, PTFE-COATED OR STAINLESS STEEL FASTENERS MUST BE OBTAINED AND USED. REPLACEMENT FASTENERS MUST BE OF AT LEAST EQUAL STRENGTH AND SIZE AS ORIGINAL FASTENERS. IF THE ORIGINAL FASTENER WAS RED-HEAD, THE REPLACEMENT FASTENER MUST BE RED-HEAD ALSO. CONTACT WAYNE DALTON FOR FASTENER STRENGTH VALUES IF NEEDED.

**Operation:**

**⚠ WARNING**

**TO PREVENT DEATH OR SERIOUS INJURY WHILE OPERATING THE DOOR, ENSURE THE PATH OF THE DOOR IS NOT OBSTRUCTED BY ANY PERSON OR OBJECT AND ADHERE TO THE FOLLOWING SAFETY MEASURES.**

- Operate door only when it is properly adjusted and free from obstructions.
- If a door becomes hard to operate, inoperative or is damaged, immediately have necessary adjustments and/ or repairs made by a trained door system technician using proper tools and instructions.
- **DO NOT** stand or walk under a moving door, or permit anybody to stand or walk under an electrically operated door.
- **DO NOT** place fingers or hands into open section joints when closing a door. Use lift handles/ gripping points when operating door manually.
- **DO NOT** permit children to operate garage door or door controls. Severe or fatal injury could result should the child become entrapped between the door and the floor.
- Visually inspect door and hardware monthly for worn and or broken parts. Check to ensure door operates freely. Test electric opener's safety features monthly, following opener manufacturer's instructions.
- **NEVER** hang tools, bicycles, hoses, clothing or anything else from horizontal tracks. Track systems are not intended or designed to support extra weight.

Potential Hazard	Effect	Prevention
 <p>Moving door</p>	<p><b>⚠ WARNING</b></p> <p>Could result in Death or Serious Injury</p>	<p>Keep people clear of opening while Door is moving.</p> <p>Do <b>NOT</b> allow children to play with the Door Opener.</p> <p>Do <b>NOT</b> operate a Door that jams or one that has a broken spring.</p>
 <p>High tension spring</p>	<p><b>⚠ DANGER</b></p> <p>Will result in Death or Serious Injury</p>	<p>Do <b>NOT</b> try to remove, install, repair or adjust springs or anything to which door spring parts are fastened, such as, wood blocks, steel brackets, cables or other like items.</p> <p>Installations, repairs and adjustments must be done by a trained door system technician using proper tools and instructions.</p>

**IMPORTANT:** RIGHT and LEFT hand is determined inside the building looking out.

# REMOVING AN EXISTING DOOR AND PREPARING THE OPENING

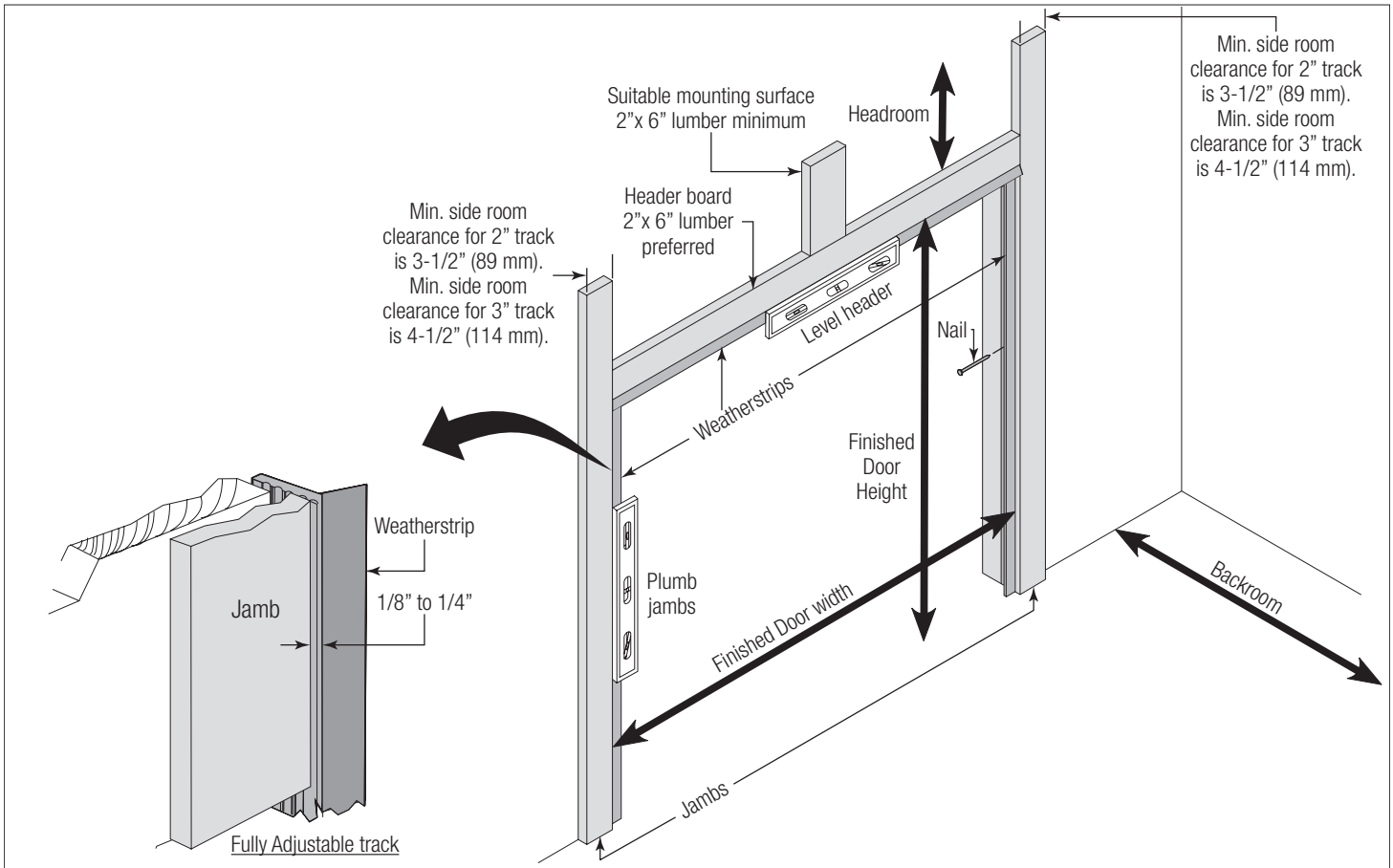


Figure 1

## **DANGER**

**AVOID INJURY! A POWERFUL SPRING RELEASING ITS ENERGY SUDDENLY CAN CAUSE SEVERE OR FATAL INJURY. ALWAYS HAVE A TRAINED DOOR SYSTEMS TECHNICIAN, USING PROPER TOOLS AND INSTRUCTIONS, RELEASE THE SPRING TENSION.**

## **WARNING**

**TO AVOID POSSIBLE INJURY AND TO ENSURE PROPER INSTALLATION, IT'S HIGHLY RECOMMENDED THAT YOU READ AND FULLY UNDERSTAND THE COMPLETE INSTRUCTIONS ON REMOVING AN EXISTING DOOR & PREPARING THE OPENING. THESE ARE AVAILABLE FOR DOWNLOAD AT [WWW.WAYNE-DALTON.COM](http://WWW.WAYNE-DALTON.COM) OR AT YOUR LOCAL WAYNE DALTON SALES CENTER.**

## **DANGER**

**COUNTERBALANCE SPRING TENSION MUST ALWAYS BE RELEASED BEFORE ANY ATTEMPT IS MADE TO START REMOVING AN EXISTING DOOR. EXTREME CAUTION SHOULD BE USED WHEN UNWINDING SPRINGS AS FAILURE TO FOLLOW THE INSTRUCTIONS OR USE PROPER TOOLS CAN LEAD TO SERIOUS INJURY.**

### See Figure 1 for the following steps.

To ensure secure mounting of track brackets, side and center brackets, or steel angles to new or retro-fit construction, it is recommended to follow the procedures outlined in DASMA technical data sheets #156, #161 and #164 at [www.dasma.com](http://www.dasma.com).

- The inside perimeter of your garage door opening should be framed with wood jamb and header material.
- The jambs and header must be securely fastened to sound framing members. It is recommended that 2" x 6" lumber be used. The jambs must be plumb and the header level.
- The jambs should extend a minimum of 12" (305 mm) above the top of the opening for Torsion counterbalance systems.
- For low headroom applications, the jambs should extend to the ceiling height. Minimum side clearance required, from the opening to the wall, is 3-1/2" (89 mm).

## **NOTICE**

CLOSELY INSPECT JAMBS, HEADER AND MOUNTING SURFACE. ANY WOOD FOUND NOT TO BE SOUND, MUST BE REPLACED.

For Torsion counterbalance systems, a suitable mounting surface (2" x 6") must be firmly attached to the wall, above the header at the center of the opening.

## **NOTICE**

DRILL A SUITABLE PILOT HOLE IN THE MOUNTING SURFACE TO AVOID SPLITTING THE LUMBER. DO NOT ATTACH THE MOUNTING SURFACE WITH NAILS.

**Weatherstrips (Not Included):**

Depending on the size of your door, you may have to cut or trim the weatherstrips to properly fit into the header and jambs.

**NOTICE**

IF NAILING PRODUCT AT 40°F, (4.4°C) OR BELOW, PRE-DRILLING IS REQUIRED.

1. For the header, align the weatherstrip with the inside edge of the header and temporarily secure it to the header with equally spaced nails, approximately 12" to 18" (305 mm - 457 mm) apart.

2. Starting at either side of the jamb, fit the weatherstrip up tight against the temporarily attached weatherstrip in the header and flush with the inside edge of the jamb.

3. Temporarily secure the weatherstrip with equally spaced nails. Repeat for other side. This will keep the bottom door section from falling out of the opening during installation.

**Headroom requirement:**

Headroom required is defined as the space needed above the top of the door for tracks, springs, etc. to allow the door to open properly.

**NOTE:** 6" low headroom conversion kit is available for 12" radius only. Contact your local Wayne Dalton dealer.

If the door is to be motor operated, 2-1/2" (64 mm) of additional headroom is required.

TRACK TYPE	SPACE NEEDED
12" Radius	11" (279 mm)
15" Radius	14-1/2" (368 mm)

**Backroom requirement:**

Backroom required is defined as the distance needed from the opening back into the garage to allow the door to open fully.

DOOR HEIGHT	TRACK	MANUAL LIFT	MOTOR OPERATED
6'0" to 7'0"	12", 15" Radius	98" (2489 mm)	125" (3175 mm)
7'1" to 8'0"	12", 15" Radius	110" (2794 mm)	137" (3480 mm)

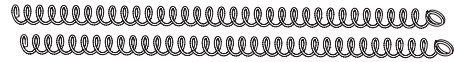
**Package Contents**

**NOTE:** Depending on the door model, some parts listed may not be required, and will not be supplied.

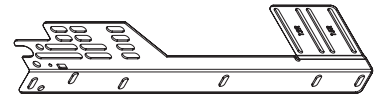
**Components and Hardware**



**(E1. - E4.)** Door sections (as required)



**(N1.)** Extension Springs



**(A1.)** Fully Adjustable flag angles RH/LH (as required)



**(I2.)** Vertical tracks RH/LH (as required)



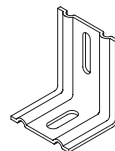
**(I3.)** Riveted vertical track assemblies RH/LH (as required)



**(I4.)** Angle mount vertical track assemblies RH/LH (as required)



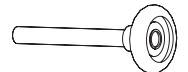
**(I1.)** Horizontal tracks



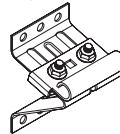
**(B1.)** F.A. jamb brackets (as required)



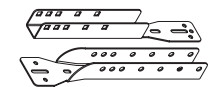
**(K1.)** Bottom weather seal



**(C1.) (C2.)** Track rollers (as required)



**(F1.)** Top Fixture Assemblies (as required)



**(H1.) (H2.)** Drawbar operator bracket

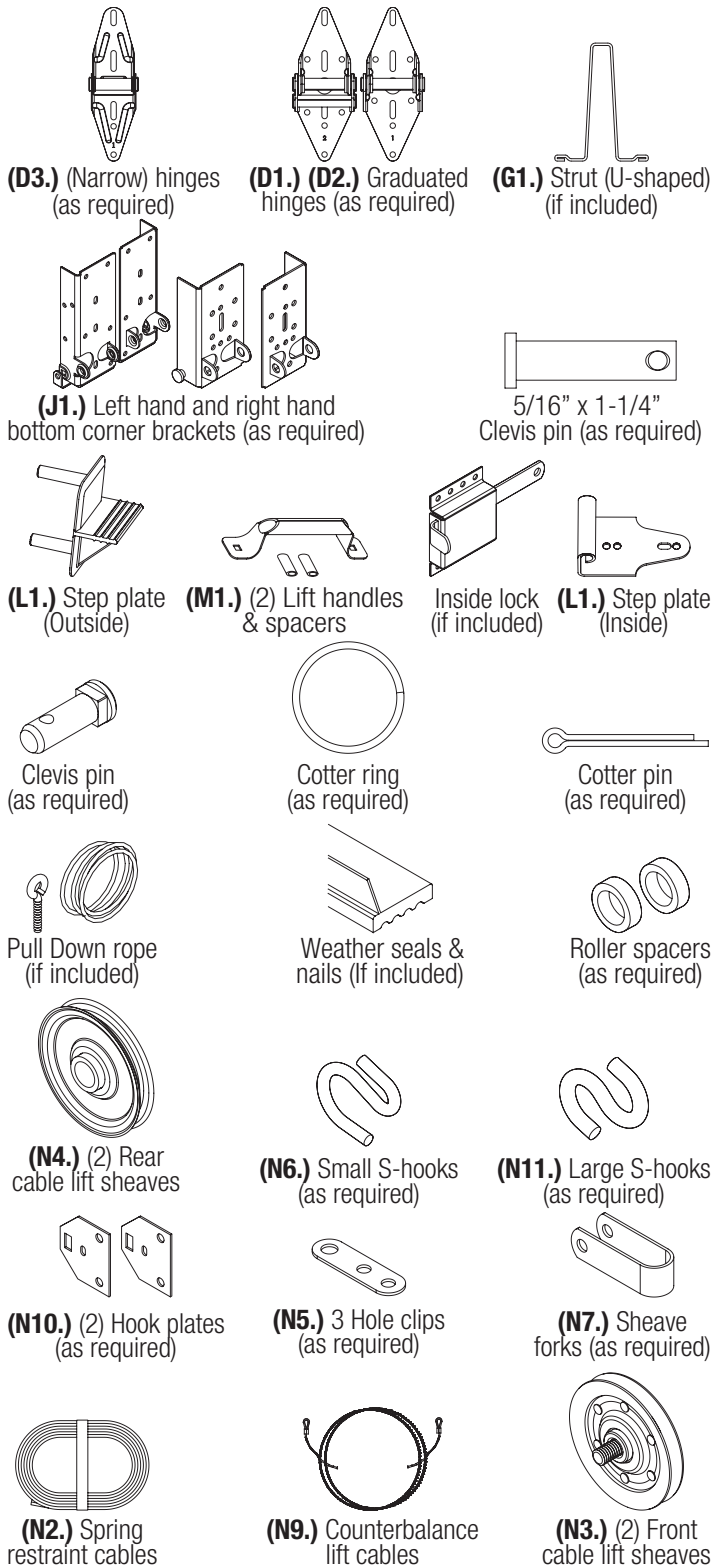


Figure 2

**Fasteners**

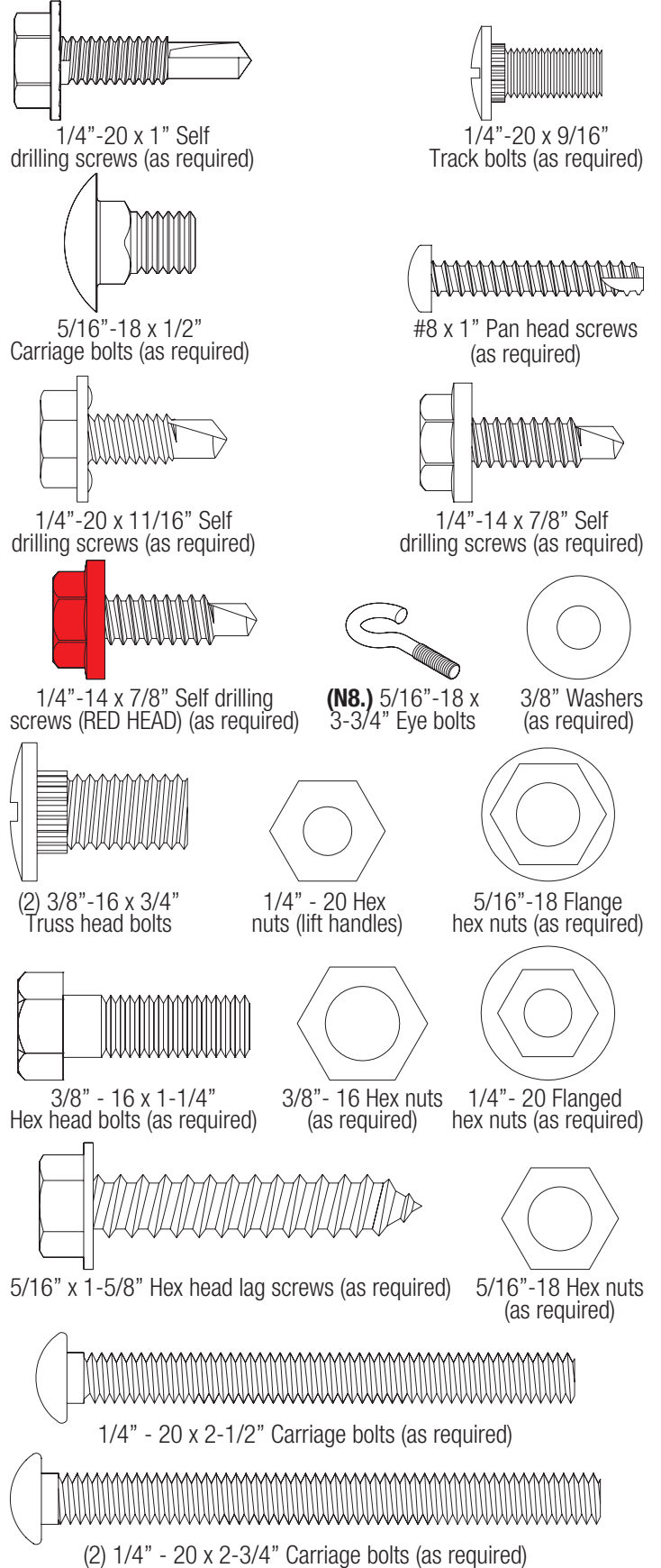


Figure 3

## Door Section Identification

Door Height	Type Of Sections				
	Bottom	Lock	Intermediate(s) Sections		
			Int I	Int II	Top
6'0"	18"	18"	18"	N/A	18"
6'3"	21"	18"	18"		18"
6'6"	21"	18"	18"		21"
6'9"	21"	21"	21"		18"
7'0"	21"	21"	21"		21"
7'6"	18"	18"	18"	18"	18"
7'9"	21"	18"	18"	18"	18"
8'0"	21"	18"	18"	18"	21"

When installing your door you must use sections of the appropriate height in the right stacking order. What section heights you need to use in what order depends on the height of your door.

Unless your door is five sections in height, you will not receive an Intermediate II section.

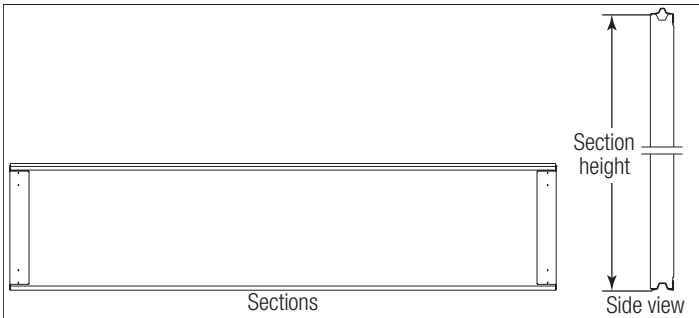


Figure 4

## Tools Required

### Personal Protection Equipment (PPE)



Figure 5

### Hand Tools

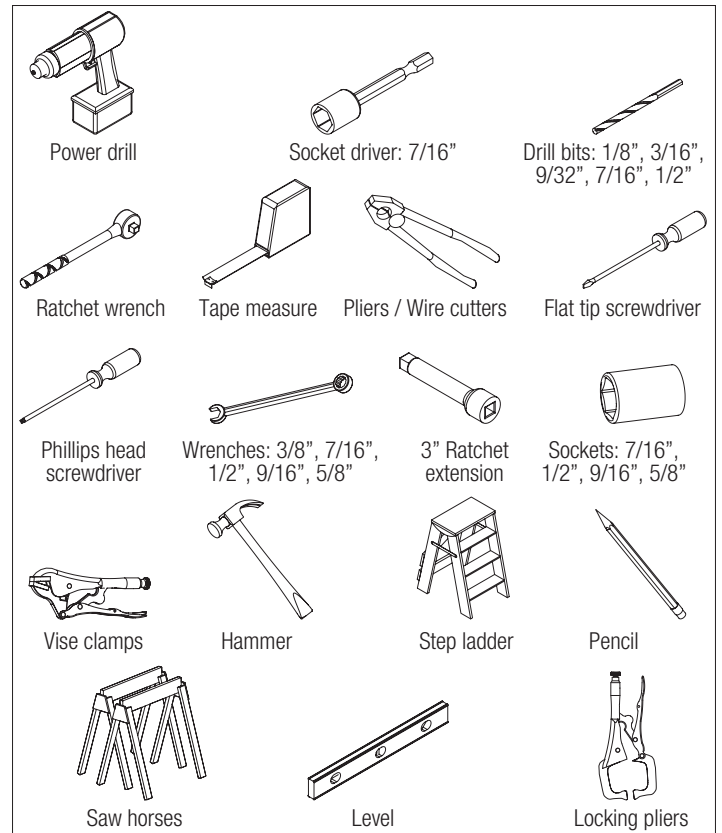
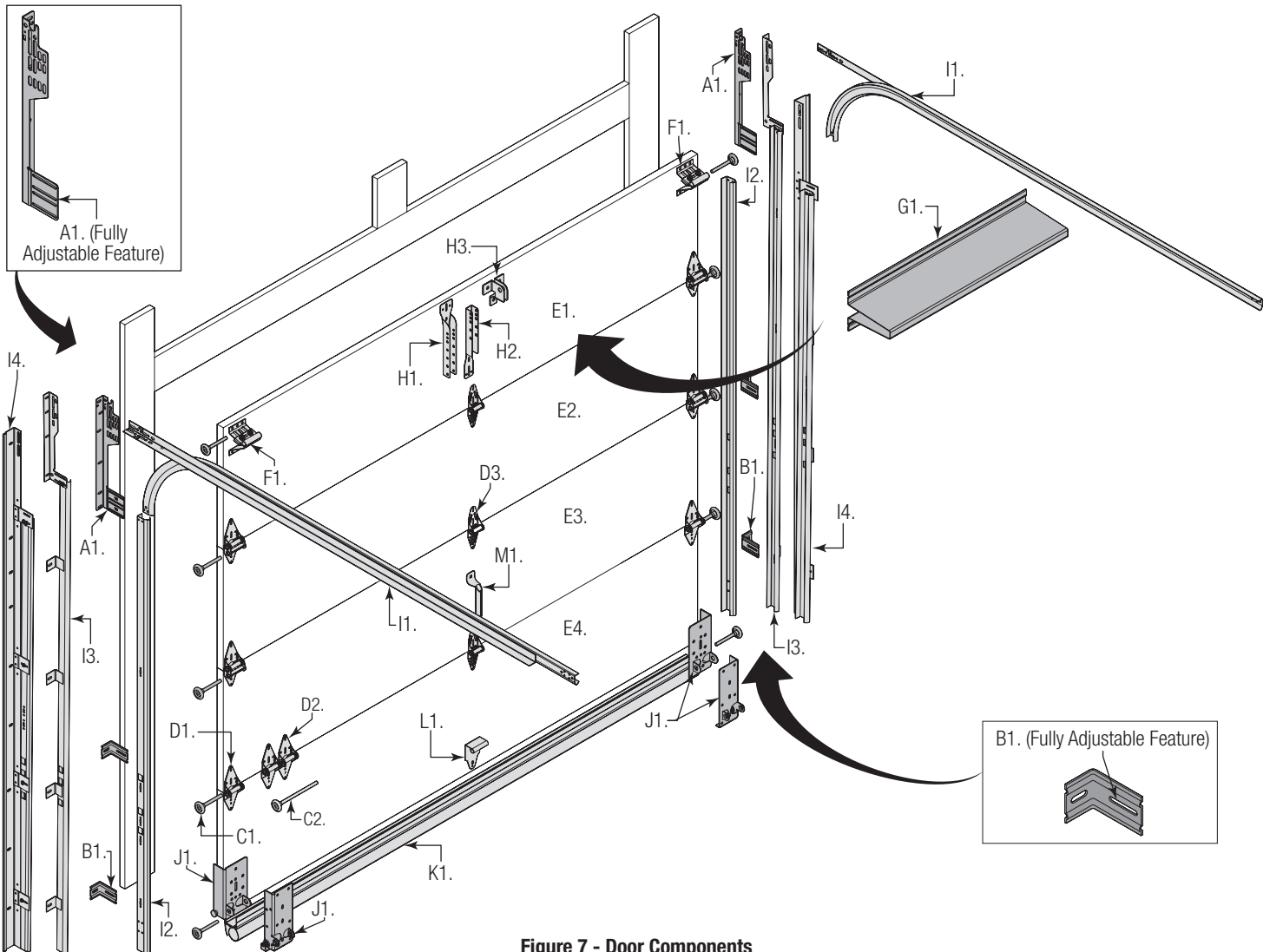


Figure 6



# BREAKDOWN OF DOOR COMPONENTS

**NOTE:** The illustrations shown on this page are general representations of the door parts. Each specific door models may have unique variations.



**Figure 7 - Door Components**

**A. FLAG ANGLES (AS REQUIRED):**

- A1. Fully Adjustable (F.A.) Flag Angles

**B. JAMB BRACKETS (AS REQUIRED):**

- B1. Fully Adjustable (F.A.) Jamb Brackets

**C. TRACK ROLLERS (AS REQUIRED):**

- C1. Short Stem Track Rollers
- C2. Long Stem Track Rollers

**D. GRADUATED END HINGES:**

- D1. Single Graduated End Hinges (S.E.H.), Industry Standard
- D2. Double Graduated End Hinges (D.E.H.), Industry Standard
- D3. Center Hinges (S.E.H.), Narrow Hinges

**E. STACKED SECTIONS:**

- E1. Top Section / E2. Intermediate(s) Section
- E3. Lock Section / E4. Bottom Section

**F. TOP FIXTURES (AS REQUIRED):**

- F1. Top Fixture Assemblies

**G. STRUT(S) (AS REQUIRED):**

- G1. Strut (U-shaped)

**H. DRAWBAR OPERATOR BRACKET (FOR TROLLEY OPERATED DOORS):**

- H1. Top Half Drawbar Operator Bracket
- H2. Bottom Half Drawbar Operator Bracket
- H3. Drawbar Operator Bracket (Supplied By Others)

**I. TRACKS (AS REQUIRED):**

- I1. Left Hand and Right Hand Horizontal Track Assemblies
- I2. Left Hand and Right Hand Vertical Tracks
- I3. Left Hand and Right Hand Riveted Vertical Track Assemblies
- I4. Left Hand and Right Hand Angle Mount Vertical Track Assemblies

**J. BOTTOM CORNER BRACKETS (AS REQUIRED):**

- J1. Left Hand and Right Hand Bottom Corner Brackets

**K. BOTTOM WEATHER SEAL:**

- K1. Bottom Weather Seal (Door Width)

**L. STEP PLATES:**

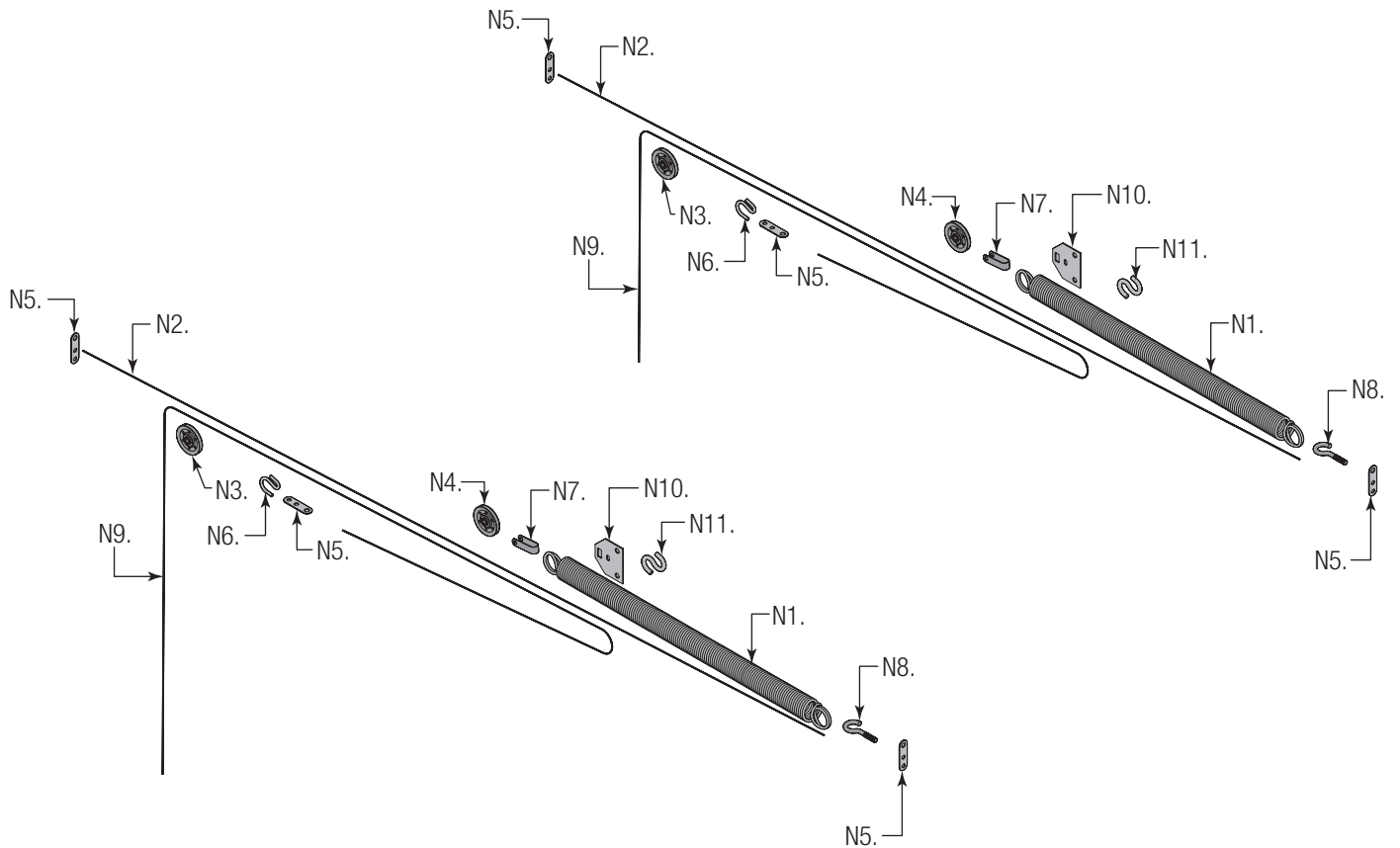
- L1. Step Plates

**M. LIFT HANDLES:**

- M1. Lift Handles

# BREAKDOWN OF COUNTERBALANCE COMPONENTS

**NOTE:** The illustrations shown on this page are general representations of the door parts. Each specific door models may have unique variations.



**Figure 7 - Counterbalance Components**

## **N. EXTENSION SPRING ASSEMBLY (AS REQUIRED):**

- N1. Extension Springs
- N2. Spring Restraint Cables
- N3. Front Cable Lift Sheaves
- N4. Rear Cable Lift Sheaves
- N5. 3 Hole Clips
- N6. Small S-Hooks
- N7. Sheave Forks
- N8. 5/16" - 18 x 3-3/4" Eye Bolts
- N9. Counterbalance Lift Cables
- N10. Hook Plates (As Required)
- N11. Large S-Hooks

# INSTALLATION INSTRUCTIONS

## Door Installation Instructions

**BEFORE INSTALLING YOUR DOOR, BE CERTAIN THAT YOU HAVE READ AND FOLLOWED ALL OF THE INSTRUCTIONS COVERED IN THE PRE-INSTALLATION SECTION OF THIS MANUAL. FAILURE TO DO SO MAY RESULT IN AN IMPROPERLY INSTALLED DOOR.**

**IMPORTANT:** Reference TDS 160 for general garage door terminology at [www.dasma.com](http://www.dasma.com).

### NOTICE

IF THE DOOR WILL BE EXPOSED TO A SIGNIFICANT AMOUNT OF ROAD SALT, PAINT THE BOTTOM GALVANIZED STEEL WEATHER RETAINER TO INHIBIT RUSTING.

## 1 VERTICAL TRACK ASSEMBLY

**IMPORTANT:** If you have Riveted Track, skip this step.

**NOTE:** For clarity, all graphics shown are of the left side, right side will be the same.

**IMPORTANT:** The bottom jamb bracket is always the shortest bracket, while the center jamb bracket is the next tallest. If three jamb brackets per side are included with your door, you will have received a top jamb bracket, which is the tallest.

**For Doors With Fully Adjustable Flag Angle:**

See Figure 8 and Figure 9 for the following steps.

**IMPORTANT:** Each flag angle will have a unique ID "12R or 15R". Measure the radius of your horizontal track to determine if your horizontal track is 12" or 15" Radius.

1a. Hand tighten the flag angle ① to the vertical track ② using two 1/4" - 20 x 9/16" track bolts ③ and two 1/4" - 20 flange hex nuts ④.

1b. attach the shortest jamb bracket ⑤ by aligning the slot in the shortest jamb bracket with the lower hole of the hole/ slot pattern of the vertical track. Hand tighten the jamb bracket using (1) 1/4" - 20 x 9/16" track bolt and (1) 1/4" - 20 flange hex nut.

1c. Place the tallest jamb bracket ⑥ over the lower hole of the hole/ slot pattern that is centered between the bottom jamb bracket and flag angle of the 2nd hole set. Hand tighten the jamb bracket using (1) 1/4" - 20 x 9/16" track bolt and (1) 1/4" - 20 flange hex nut.

1d. Repeat this process for the right hand side.

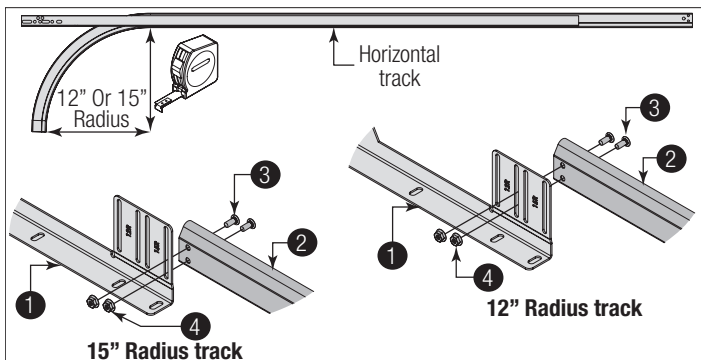


Figure 8, Left Side Shown

**IMPORTANT:** In Figure 8, observe the slot location in reference to the 12" or 15" radius.

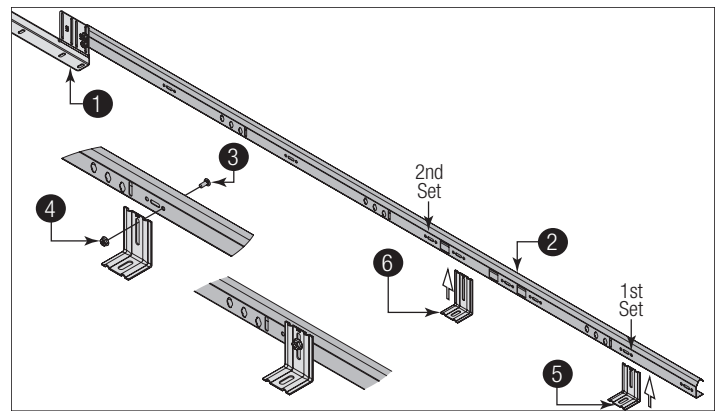


Figure 9, Left Side Shown

1	Flag Angle	4	1/4" - 20 Flange Hex Nut
2	Vertical Track	5	Shortest Jamb Bracket
3	1/4" - 20 x 9/16" Track Bolt	6	Tallest Jamb Bracket

## 2 ATTACHING BOTTOM WEATHER SEAL

**NOTE:** Refer to door section identification, located in the pre-installation section of this manual or refer to Breakdown Of Parts.

**NOTE:** Verify that the bottom weather seal is aligned with bottom section. If needed, trim the bottom weather seal even with bottom section length.

See Figure 10 for the following steps.

2a. Position the bottom weather seal ① up against the bottom of the bottom section ② with the long lip ③ on the inside surface of the bottom section ④.

2b. From inside the door, attach the bottom weather seal to the bottom section with 1/4" - 20 x 1" self drilling screws ⑤, placing one 6" ⑥ in from each end of the bottom section and one every 18" (maximum) in between ⑦, as shown.

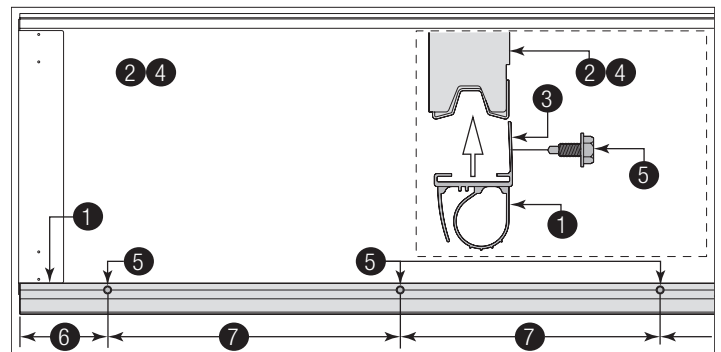


Figure 10, Left Side Shown

1	Bottom Weather Seal	5	1/4" - 20 x 1" Self Drilling Screws
2	Bottom Section	6	6"
3	Long Lip	7	18"
4	Inside Surface Of Bottom Section		

### 3 ATTACHING BOTTOM CORNER BRACKETS

**IMPORTANT:** Refer to door section identification, located in the pre-installation section of this manual or refer to Breakdown of Parts.

#### **WARNING**

**ENSURE TIGHT FIT OF CABLE LOOP OVER PIN TO PREVENT COUNTERBALANCE LIFT CABLE FROM COMING OFF THE PIN, WHICH COULD ALLOW THE DOOR TO FALL AND RESULT IN DEATH OR SERIOUS INJURY.**

**IMPORTANT:** Verify bottom weather seal **2** is aligned with bottom section **1**. If there is more than 1/2" excess weather seal on either side, trim weather seal even with bottom section.

**IMPORTANT:** Refer to Package Contents / Breakdown of Parts, to determine which bottom corner brackets you have.

See Figure 11 through Figure 13 for the following steps.

3a. Uncoil the counterbalance lift cables **3**.

3b. Depending on which bottom corner brackets **4** you have, slip the cable loop **5** at the ends of the counterbalance lift cable over the milford pin **6** of the bottom corner bracket or secure the cable loop to the clevis pin **8** and bottom corner bracket using a flat washer **7** and a cotter pin **9**. Repeat this process for the opposite side.

3c. Starting on the left hand side, attach the left hand bottom corner bracket to the left corner of the bottom section, making sure it is seated to the edges of the end cap **10**, using three 1/4" - 14 x 7/8" RED HEAD self drilling screws **11**, and depending on your bottom corner bracket additional 1/4" - 14 x 7/8" self drilling screws **12**.

3d. Insert a short stem track roller **13** with roller spacer **14** (if applicable) into the bottom corner brackets.

**IMPORTANT:** The 1/4" - 14 x 7/8" red head self drilling screws must be installed through the holes of the bottom corner brackets, as shown.

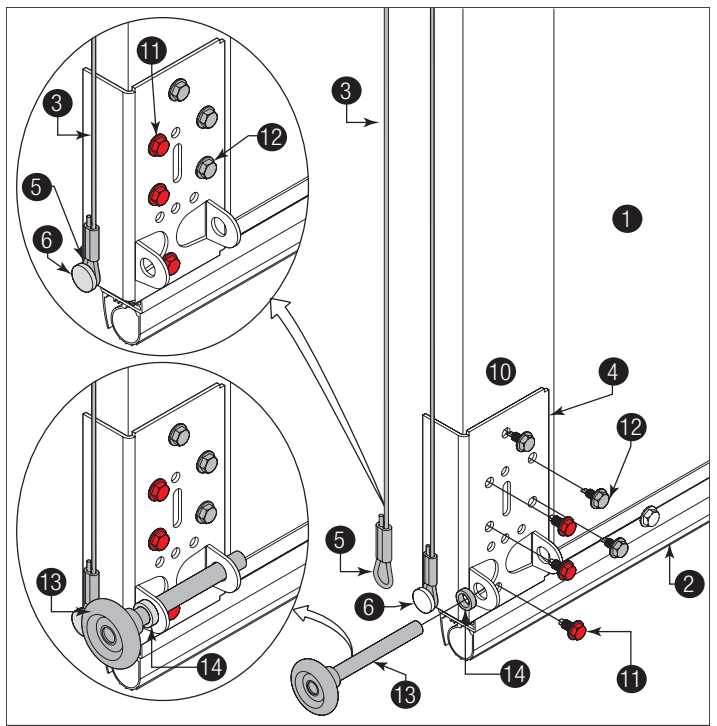


Figure 12, Left Side Shown

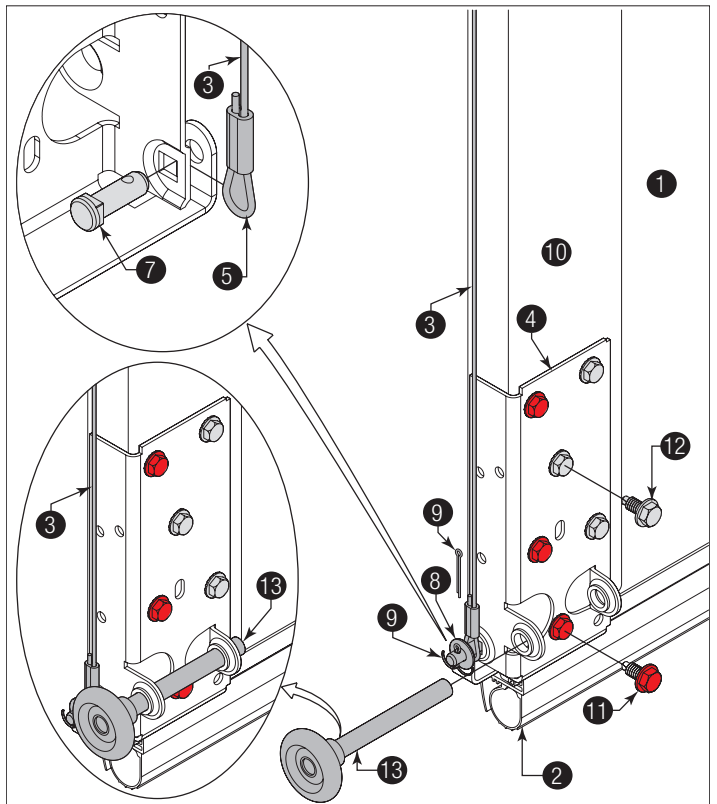


Figure 13, Left Side Shown

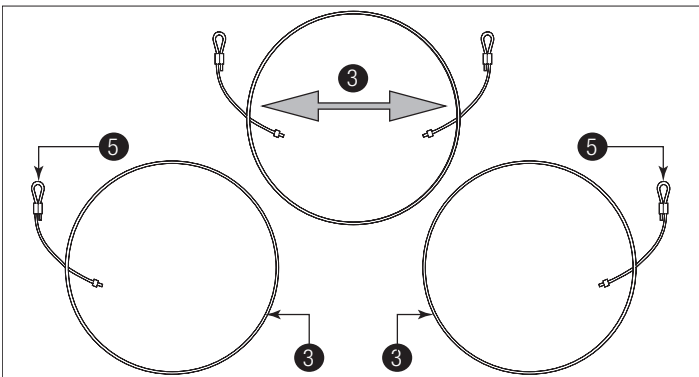


Figure 11

1	Bottom Section	8	Flat Washer
2	Bottom Weather Seal	9	Cotter Pin
3	Counterbalance Lift Cable	10	End Cap
4	Bottom Corner Bracket	11	1/4" - 14 x 7/8" RED HEAD Self drilling screws
5	Cable Loop	12	1/4" - 14 x 7/8" Self drilling screws
6	Milford Pin	13	Short Stem Track Roller
7	Clevis Pin	14	Roller Spacer

## 4 ATTACHING HINGES

**NOTE:** Refer to door section identification, located in the pre-installation section of this manual or refer to Breakdown of Parts.

**NOTE:** The graduated hinges ① can be identified by the number stamped on the lower hinge leaf ②.

**NOTE:** The #1, #2, #3, #4 graduated end hinges (Wide body) ③ serves as end hinges on all sections, except for the top section.

**NOTE:** The #1 Center hinge(s) (Narrow body) ④ serves as center hinges on all sections, except for the top section.

See Figure 14 for the following steps.

4a. Starting on the left hand side of the bottom section ⑤, align the lower hinge leaf of the #1 graduated end hinge (wide body) over the holes ⑥, located at the top of the end caps ⑦.

4b. Align the lower hinge leaves of the #1 center hinges (narrow body) with the pre-marked locations ⑧ at the center locations at the top of the section.

4c. Attach the lower hinge leaves to the section using (2) 1/4" - 14 x 7/8" self drilling screws ⑨.

**IMPORTANT:** Once the 1/4" - 14 x 7/8" self drilling screws are snug against the lower hinge leaves, tighten an additional 1/4 to 1/2 turn to receive maximum design holding power.

4d. Insert a short stem track roller ⑩ into each graduated end hinge.

4e. Repeat graduated hinge attachment using the appropriate graduated end hinges for all remaining sections except the top section.

**IMPORTANT:** When placing short stem track rollers into the #2 graduated end hinges and higher, the short stem track roller goes into hinge tube furthest away from section.

**NOTE:** The #1 graduated end hinges (Wide Body) serves as end hinges on the Lock section.

**NOTE:** The #2 graduated end hinges (Wide Body) serves as end hinges on the Lock section.

**NOTE:** The #3 graduated end hinges (Wide Body) serves as end hinges on the Intermediate I section.

**NOTE:** The #4 graduated end hinges (Wide Body) serves as end hinges on the Intermediate II section.

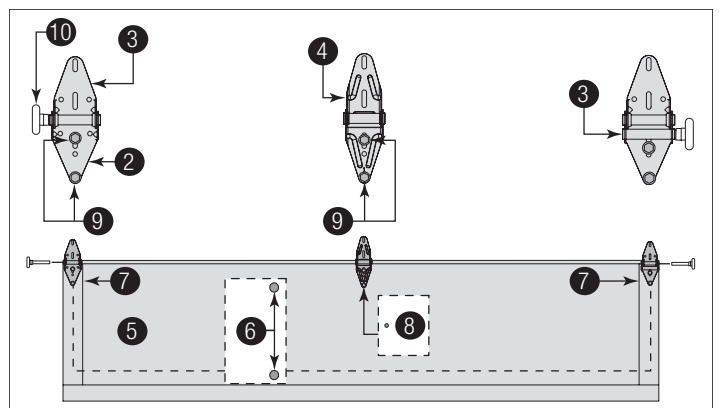


Figure 14

1	Graduated Hinges	6	Holes
2	Lower Hinge Leaf	7	End Caps
3	Graduated End Hinges (Wide Body)	8	Pre-Marked Locations
4	#1 Center Hinge(s) (Narrow Body)	9	1/4" - 14 x 7/8" Self Drilling Screws
5	Bottom Section	10	Short Stem Track Roller

## 5 ATTACHING TOP FIXTURES TO TOP SECTION

**NOTE:** Refer to door section identification, located in the pre-installation section of this manual to determine what size sections you need to use as your top section.

**NOTE:** The top fixture slide will be tightened and adjusted later, in step, Adjusting Top Fixture.

**IMPORTANT:** Ensure the top fixture slide ① is able to slide along the top fixture base ②. If needed, loosen the 1/4" - 20 flange hex nuts ③.

**NOTE:** Refer to the strutting schedule below to determine the top section ④ requires a strut ⑤. If your top section is not noted in the strutting schedule, it doesn't require a strut.

Top Section Strutting Schedule				
Section Quantity	Section Type	Solid / Windows	Door Widths	
			6'0" - 10'0"	12'0" - 18'0"
4 - 5	Top	Solid	-	2"
		Windows	2"	2"

See Figure 15 and Figure 16 for the following steps.

5a. Starting on the left hand side, align the top fixture base 3" ⑥ down from the top section or below strut and even with the edge of the top section.

5b. The slotted half ⑦ of the top fixture base should be facing upwards.

5c. Fasten to section through end cap ⑧ using (4) 1/4" - 14 x 7/8" self drilling screws ⑨.

5d. Insert short stem track roller ⑩ into top fixture slide.

5e. Repeat for other side.

**IMPORTANT:** If no strut was installed on the top section, place (1) 1/4" - 14 x 7/8" self drilling screw ⑨ into the top pre-punched hole in each endstile of the top section.

5f. If applicable, place the strut on the top section, center the strut side to side on the top edge of the top section.

5g. Secure the strut to the section using (2) 1/4" - 14 x 7/8" self drilling screws (9) at each endstile and (2) 1/4" - 14 x 7/8" self drilling screw at each center hinge location at each pre-marked location.

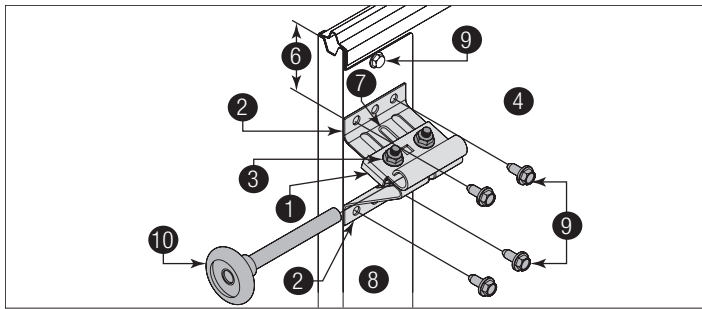


Figure 15, Left Side Shown

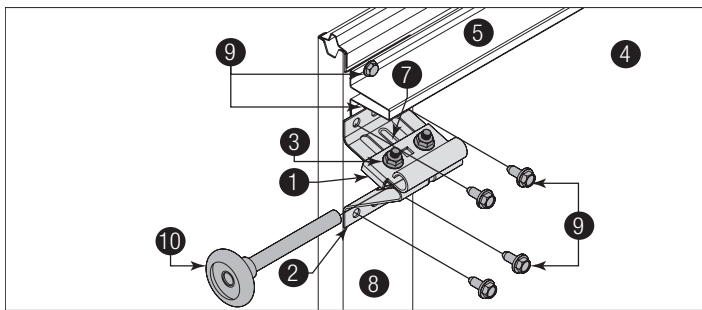


Figure 16, Left Side Shown

1	Top Fixture Slide	6	3"
2	Top Fixture Base	7	Slotted Half
3	1/4" - 20 Flange Hex Nuts	8	End Cap
4	Top Section	9	1/4" - 14 x 7/8" Self Drilling Screws
5	Strut	10	Short Stem Track Roller

## 6 ATTACHING STRUT TO SECTIONS

**NOTE:** Refer to door section identification, located in the pre-installation section of this manual or refer to Breakdown of Parts.

**IMPORTANT:** All struts are placed at the top of the sections.

**NOTE:** Sections not noted in the strutting schedule, do not require a strut.

**IMPORTANT:** Referencing the strutting schedules below, determine the placement of the struts for your door width and door height.

Bottom, Lock, Intermediate(s) Section Strutting Schedule					
Section Quantity	Section Type	Solid / Windows	Door Width		
			6'0" - 10'0"	12'0"	13'0" - 18'0"
4	Int I	Solid	-	-	-
		Windows	2"	2"	-
	Lock	Solid	-	-	-
	Bottom	Solid	-	-	2"

Bottom, Lock, Intermediate(s) Section Strutting Schedule					
Section Quantity	Section Type	Solid / Windows	Door Width		
			6'0" - 10'0"	12'0"	13'0" - 18'0"
5	Int II	Solid	-	-	-
		Windows	2"	2"	-
	Int I	Solid	-	-	2"
		Windows	2"	2"	2"
Lock	Solid	-	-	-	
Bottom	Solid	-	-	2"	

See Figure 17 for the following steps.

6a. Using sawhorses, lay section (1) on a flat smooth surface.

6b. Place the strut (2) on the section surface up against the bottom of the hinges (3).

6c. Center the strut side to side on the section.

6d. Secure to the section using (2) 1/4" - 14 x 7/8" self drilling screws (4) at each end hinge location and (2) 1/4" - 14 x 7/8" self drilling screw at each center hinge location.

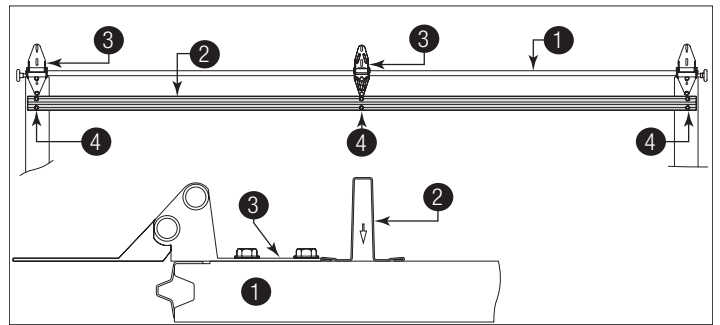


Figure 17

1	Section	3	Hinges
2	Strut	4	1/4" - 14 x 7/8" Self Drilling Screws

## 7 ATTACHING STEP PLATES TO SECTION

**IMPORTANT:** Do not mount the step plate higher than 8" from the bottom of the section.

See Figure 18 for the following steps.

7a. On the inside of the bottom section (1), locate the vertical center of the door.

7b. Center the inside step plate (2) vertically no higher than 8" (3) from the bottom of the door to the top of the step plate.

7c. Using the inside step plate as a template, mark the upper and bottom holes (4) onto the section surface.

**IMPORTANT:** Be extremely careful to keep drill straight.

7d. Drill a 7/16" diameter hole (5) at each marked hole location through the entire section.

7e. Insert the outside step plate (6) into the holes through the front of the section, mounting the two step plates back to back.

7f. Secure both step plates together using two No. 8 screws (7).

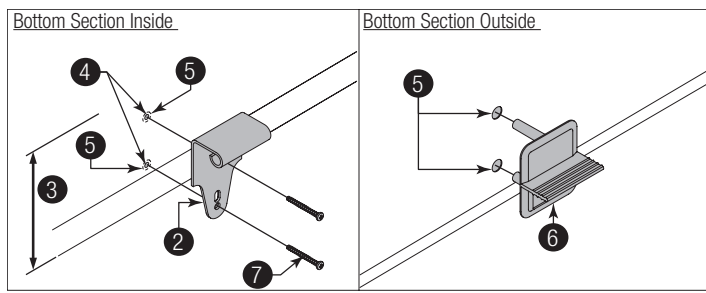


Figure 18

1	Bottom Section	5	7/16" Diameter Holes
2	Inside Step Plate	6	Outside Step Plate
3	8"	7	No. 8 Screws
4	Upper And Bottom Holes		

## 8 ATTACHING LIFT HANDLES TO SECTION

**IMPORTANT:** The lift handle and the step plate need to be vertically aligned.

### ! WARNING

**TO AVOID POSSIBLE INJURY, LIFT HANDLES THAT ARE INSTALLED WITHIN 4 INCHES (102MM) OF A SECTION INTERFACE SHALL PROMOTE VERTICAL ORIENTATION OF THE HAND.**

See Figure 19 for the following steps.

- 8a. On the outside of the lock section (1), locate the vertical center. Position the bottom hole of the lift handle (2) 4" (3) upward from the bottom of the lock section along the vertical center of the lock section.
- 8b. Using the holes in the lift handle as a template, mark the hole locations (4) onto the section surface.
- 8c. Drill 9/32" diameter holes (5) through the section at each marked hole location.
- 8d. Enlarge the holes from the outside of the section to 1/2" diameter (6) through the section.
- 8e. Assemble both the outside and inside lift handles to the section using (2) 1/4" - 20 x 2-1/2" carriage bolts (7), (2) 1/4" - 20 hex nuts (8) and (2) spacers (9).

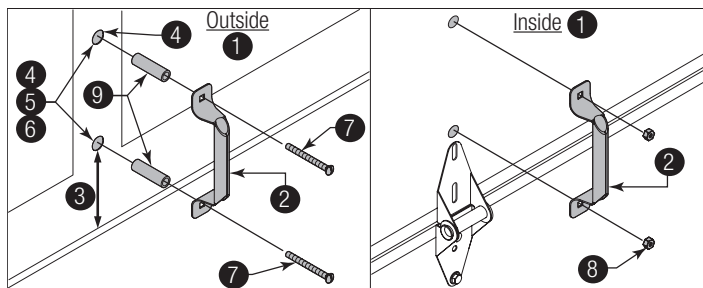


Figure 19

1	Lock Section	6	1/2" Diameter
2	Lift Handle	7	1/4" - 20 x 2-1/2" Carriage Bolts
3	4"	8	1/4" - 20 Hex Nuts
4	Hole Locations	9	Spacers

5	9/32" Diameter Holes	
---	----------------------	--

## 9 POSITIONING BOTTOM SECTION

See Figure 20 for the following steps.

- 9a. Center the bottom section (1) in the door opening.
- 9b. Use a level (2) and wood shims (3) (if necessary) to level the bottom section. When the bottom section is leveled, temporarily hold it in place by driving a nail into the jamb and bending it over the edge of the bottom section on both sides.

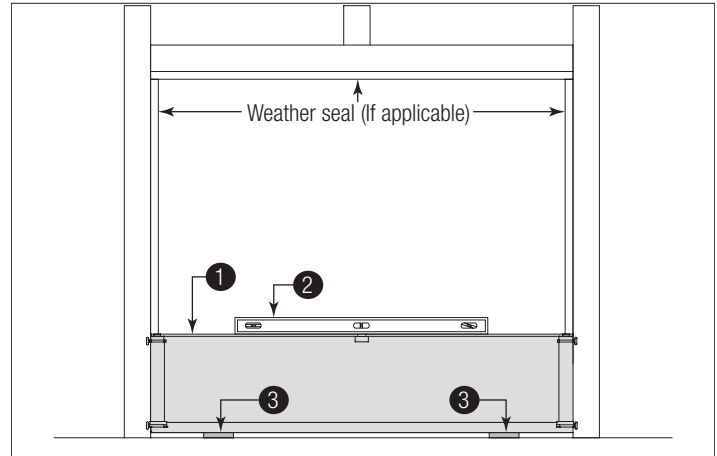


Figure 20

1	Bottom Section	3	Wood Shims
2	Level		

## 10 ATTACHING VERTICAL TRACKS TO JAMBS

**IMPORTANT:** Depending on your door, you may have Fully Adjustable Flag Angles, Riveted Vertical Track Assemblies or you may have Angle Mount Vertical Track Assemblies. Refer to Package Contents / Breakdown of Parts, to determine which Flag Angles / Vertical Track Assemblies you have.

**IMPORTANT:** If this door is to be installed prior to a finishing construction of the building's floor, the vertical tracks and the door bottom section assembly should be installed such that when the floor is constructed, no door or track parts are trapped in the floor construction.

**IMPORTANT:** If the bottom section was leveled with shims, the vertical track on the shimmed side must be raised the same height as the shim. Recheck the top of the vertical tracks to be level from side to side.

**IMPORTANT:** Make sure the counterbalance lift cable is located between the track rollers and the door jamb.

See Figure 21 through Figure 23 for the following steps.

- 10a. Starting on the left hand side of the bottom section (1), remove the nail. Position the left hand vertical track assembly (2) over the track rollers of the bottom section and install, as shown. Drill 3/16" pilot holes into the door jamb for the lag screws.

**IMPORTANT:** For proper flag angle lag screw location, note the flag angle styles (3).

**For Doors With Fully Adjustable Flag Angles:**

- 10b. Loosely fasten jamb brackets (4) and flag angle (5) to the jamb using 5/16" x 1-5/8" lag screws (6).
- 10c. Tighten lag screws, securing the bottom jamb bracket to jamb, maintain 3/8" to 5/8" spacing (7), between the bottom section and vertical track.

10d. Hang counterbalance lift cable over flag angle. Repeat same process for other side.

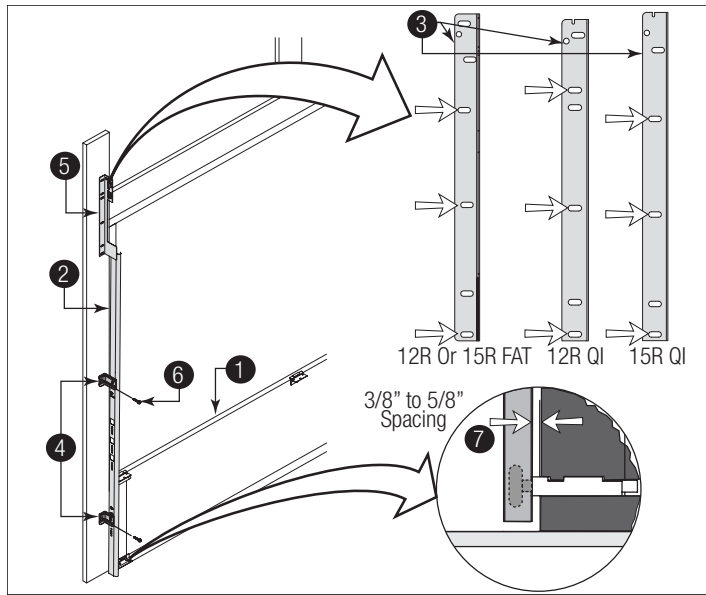


Figure 21, Left Side Shown

**For Doors With Riveted Vertical Track Assemblies:**

10b. Loosely fasten jamb brackets 4 and flag angle 5 to the jamb using 5/16" x 1-5/8" lag screws 6.

10c. Tighten lag screws, securing the bottom jamb bracket to jamb, maintain 3/8" to 5/8" spacing 7 as shown, between the bottom section and vertical track.

10d. Hang counterbalance lift cable over flag angle. Repeat same process for other side.

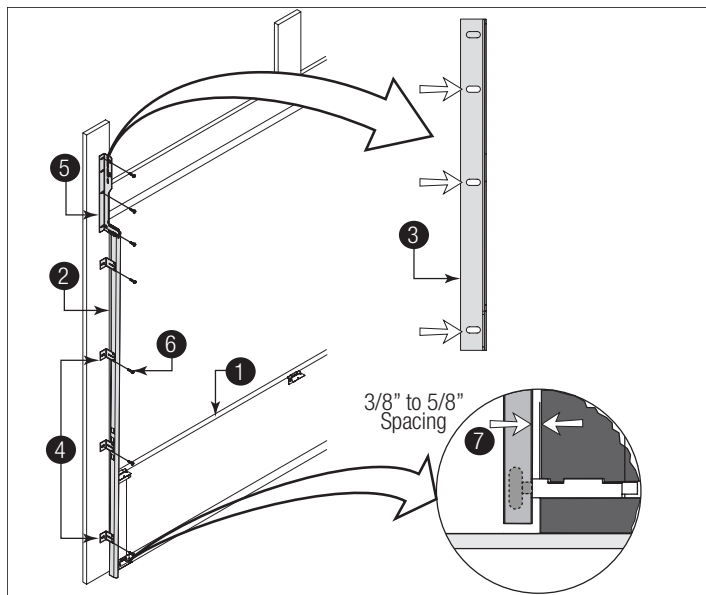


Figure 22, Left Side Shown

1	Bottom Section	5	Flag Angle
2	Vertical Track Assembly	6	5/16" x 1-5/8" Lag Screws
3	Flag Angle Styles	7	3/8" to 5/8" Spacing
4	Jamb Brackets		

**For Doors With Angle Mount Vertical Track Assemblies:**

10b. Loosely fasten the slots 2 in the angle mount 3 to the jamb using 5/16" x 1-5/8" lag screws 4.

10c. Tighten lag screws, securing the bottom slot 5 in the angle mount, maintain 3/8" to 5/8" spacing 6 as shown, between the bottom section and vertical track.

10d. Hang counterbalance lift cable over angle mount. Repeat same process for other side.

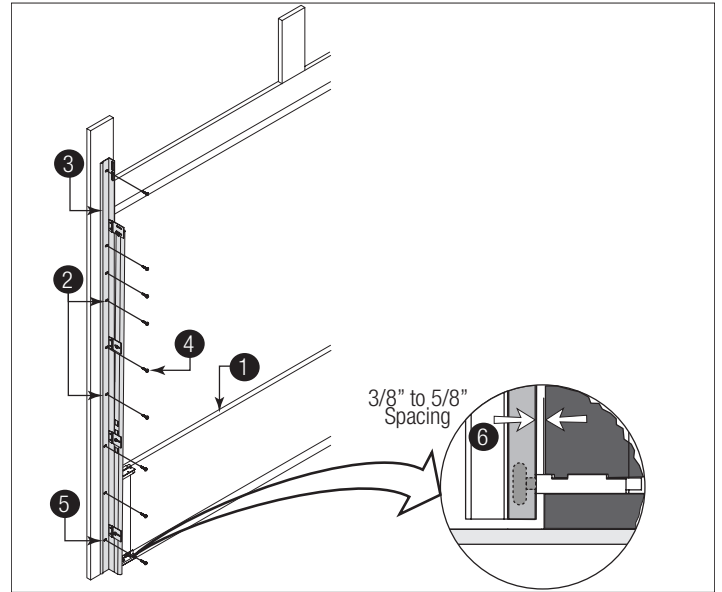


Figure 23, Left Side Shown

1	Bottom Section	4	5/16" x 1-5/8" Lag Screws
2	Slots	5	Bottom Slot
3	Angle Mount	6	3/8" to 5/8" Spacing

## 11 STACKING SECTIONS

**NOTE:** Refer to door section identification, located in the pre-installation section of this manual or refer to Breakdown of Parts.

### NOTICE

BEFORE STACKING SECTIONS, MAKE SURE GRADUATED END AND CENTER HINGES ARE FLIPPED DOWN 1 TO AVOID POSSIBLE DAMAGE TO YOUR DOOR, WHEN STACKING ANOTHER SECTION ON TOP.

See Figure 24 and Figure 25 for the following steps.

11a. With a helper, lift second section 2 and guide the track rollers into the vertical tracks 3.

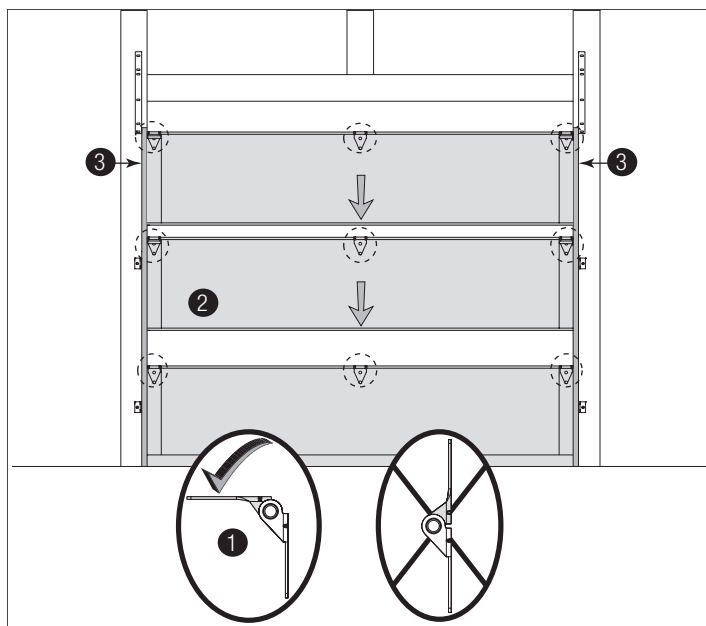
11b. Lower section until it is seated against bottom section.

11c. Flip hinges up 4. Fasten center hinge(s) 6 first; then end hinges 5 7 last using 1/4" - 14 x 7/8" self drilling screws 8.

11d. Repeat same process for other sections, except top section.

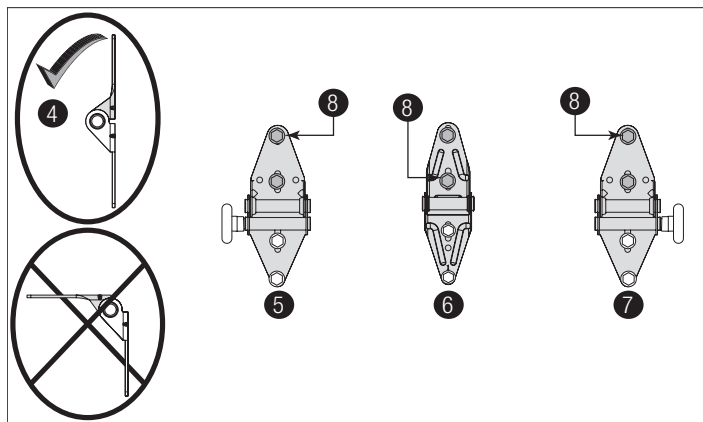
**IMPORTANT:** Push & hold the hinge leaves securely against the sections while securing with fasteners to it. There should be no gap between the hinge leaves and the sections.





See Figure 24, Stacking Sections

1	Hinge Flipped Down Position	3	Vertical Tracks
2	Second Section		



See Figure 25, Hinges after Stacking Sections

4	Hinge Flipped Up Position	7	Right Graduated End Hinge with Short Stem Track Roller
5	Left Graduated End Hinge with Short Stem Track Roller	8	1/4" - 14 x 5/8" Self Tapping Screw Locations
6	Center Hinge(s)		

## 12 STACKING TOP SECTION

**IMPORTANT:** The dimension between the flag angles or angle mounts 1 must be door width plus 3-3/8" - 3-1/2" (86 mm- 89 mm).

See Figure 26 for the following steps.

12a. Place the top section 2 in the opening, on top of the section stacked.

12b. Install a nail 3 to temporarily hold the top section.

12c. Flip up the hinge leaves, hold tight against section, and fasten center hinges first and end hinges last (see Stacking Sections).

12d. Position flag angle or angle mount 4 between 1-11/16" to 1-3/4" (43 mm - 44 mm) from the edge of the door 5, then tighten the bottom lag screw. Flag angles or angle mount must be parallel to the door sections. Repeat for other side.

12e. Complete the vertical track 6 installation.

**If you have fully adjustable track or riveted track:** Secure the jamb bracket(s) and tightening the other lag screws. Push the vertical track against the track rollers so that the track rollers are touching the deepest part of the curved side of the track; tighten all the track bolts and nuts. Repeat for other side.

**If you have Angle Mount Track:** Complete the vertical track installation by tightening the other lag screws. Push the vertical track against the track rollers so that the track rollers are touching the deepest part of the curved side of the vertical track. Repeat for other side.

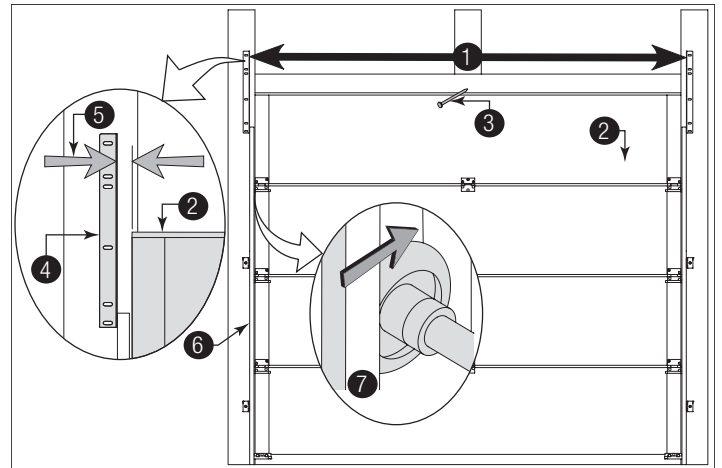


Figure 26

1	Clearance Measurement Between Both Flag Angles	4	Flag Angle Or Angle Mount
2	Top Section	5	Clearance Measurement Between Flag Angle and Door Edge
3	Nail	6	Vertical Track Against Track Rollers

## 13 ATTACHING DRAWBAR OPERATOR BRACKET

### NOTICE

TO AVOID POSSIBLE DAMAGE TO YOUR DOOR, THE TOP SECTION SHOULD BE REINFORCED WITH A STRUT.

### NOTICE

WHEN CONNECTING A DRAWBAR OPERATOR TYPE GARAGE DOOR OPENER TO THIS DOOR, A DRAWBAR OPERATOR BRACKET MUST BE SECURELY ATTACHED TO THE TOP SECTION OF THE DOOR FOLLOWING THESE INSTRUCTIONS.

**NOTE:** For retro fit applications, the drawbar operator bracket must be aligned with an existing operator.

**NOTE:** Refer to illustrations to determine which drawbar operator bracket were supplied with your door. Follow the corresponding step below:

See Figure 27 through Figure 30 for the following steps.

**If You Don't Have A Full Height Operator Bracket:**

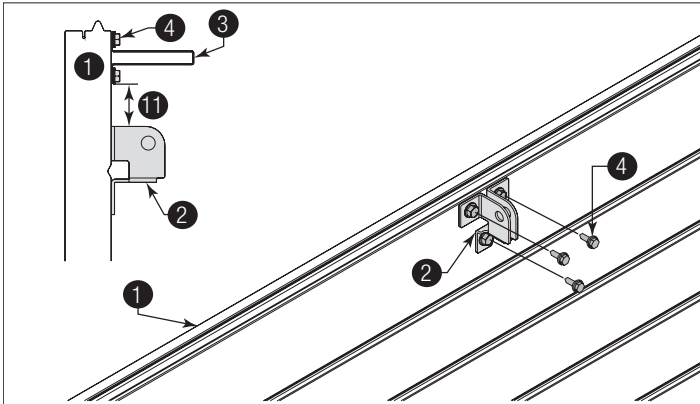
**NOTE:** For Door Widths 8'0", 9'0", 16'0", and 17'0", the top section is reinforced for operator bracket attachment.

13a. Locate the center of the top section ①.

13b. Position the drawbar operator bracket ② under the strut ③ (if applicable) or align the drawbar operator bracket top edge with the top edge of the top section.

**NOTE:** If there is a strut, measure and position the drawbar operator bracket 2" ⑪ down from the bottom edge of the strut.

13c. Attach the drawbar operator bracket using (3) 1/4" - 20 x 1" self-drilling screws ④.



**Figure 27**

1	Top Section	4	1/4" - 20 x 1" Self-Drilling Screws
2	Drawbar Operator Bracket	11	2"
3	Strut		

**If You Have A Full Height Operator Bracket:**

**NOTE:** The top section of door widths other than 8'0", 9'0", 16'0" and 17'0" do not have internal reinforcement for operator bracket attachment, and so a full height operator bracket must be used.

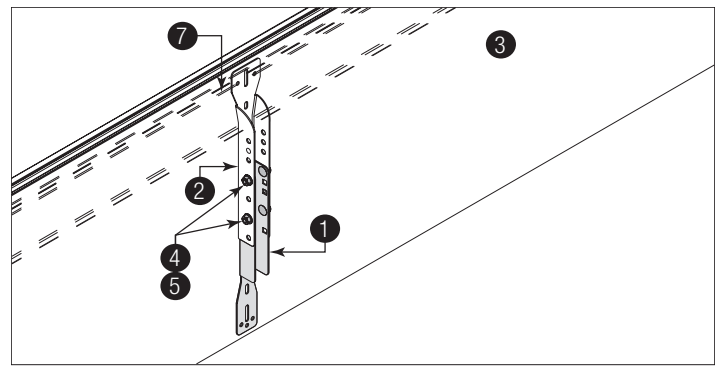
**NOTE:** Install the 5/16" - 18 x 1/2" carriage bolts and the 5/16" - 18 flange hex nuts as far apart as possible, prior to securing both top and bottom halves together.

**IMPORTANT:** When attaching drawbar operator bracket to top section with strut 2, apply additional pressure to thread into the strut.

13a. Place the bottom half ① inside the top half ② and flush against the inside surface of the top section ③. Adjust both the top and bottom halves out as far apart as possible on the section surface.

13b. Secure the drawbar operator bracket bottom half and the top half together using (4) 5/16" - 18 x 1/2" carriage bolts ④ and (4) 5/16" - 18 flange hex nuts ⑤.

13c. Now, locate the center of the top section and align the center of the holes in the drawbar operator bracket assembly with the top section center line. Align the drawbar operator bracket assembly vertically.



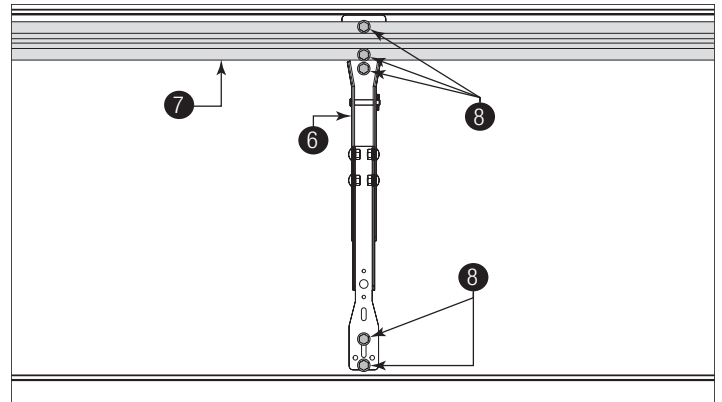
**Figure 28**

1	Bottom Half	4	5/16" - 18 x 1/2" Carriage Bolts
2	Top Half	5	5/16" - 18 Flange Hex Nuts
3	Top Section		

**For Standard Installation:**

13d. Slide the top of the drawbar operator bracket assembly ⑥ under the strut ⑦ (if applicable), keeping the drawbar operator bracket assembly aligned with the center line. Remove the strut screws if necessary and attach to the top section (through strut if necessary) using (3) 1/4" - 20 x 1" self drilling screws ⑧.

13e. Attach the bottom of the drawbar operator bracket to the section surface using (3) 1/4" - 20 x 1" self drilling screws ⑧.



**Figure 29**

6	Drawbar Operator Bracket Assembly	8	1/4" - 20 x 1" Self Drilling Screws
7	Strut		

**If You Have All Windows, Install Full Height Operator Bracket Behind The Strut Using Strut Clips:**

13d. Slide the top half of the drawbar operator bracket assembly ⑥ under the strut ⑦. Slide the bottom half of the drawbar operator bracket assembly under the strut and over the center hinge ⑩, keeping the drawbar operator bracket assembly aligned with the center line.

13e. Attach the drawbar operator bracket assembly to the top section using 1/4" - 20 x 1" self drilling screws ⑧ and strut clips ⑨.

**NOTE:** If needed, temporarily remove the strut and the upper hinge leaf of the center hinge screws to properly position the drawbar operator bracket assembly onto the top section.

**NOTE:** Depending on your door, the bottom strut may not be required.

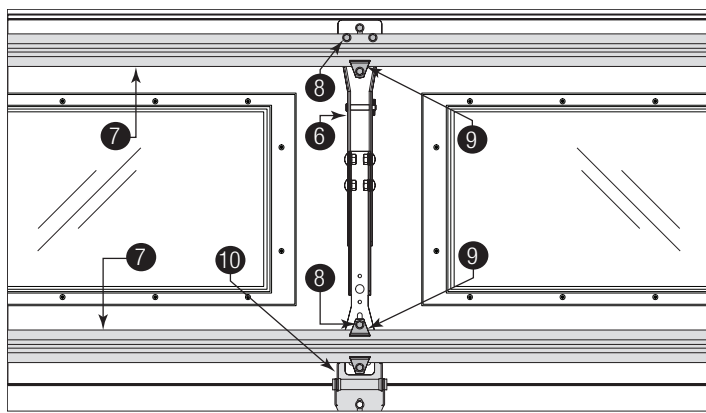


Figure 30

6	Drawbar Operator Bracket Assembly	9	Strut Clips
7	Strut	10	Center Hinge
8	1/4" - 20 x 1" Self Drilling Screws		

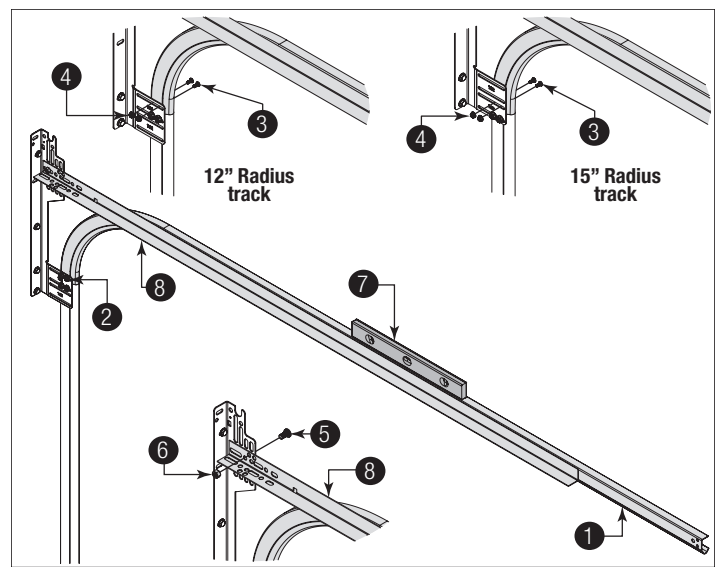


Figure 31, Left Side Shown

1	Horizontal Track	5	3/8" - 16 x 3/4" Truss-Head Bolt
2	Flag Angle Upper Slot	6	3/8" - 16 Hex Nut
3	1/4" - 20 x 9/16" Track Bolts	7	Level
4	1/4" - 20 Flange Hex Nuts	8	Horizontal Track Angle

**If you have Angle Mount Track:**

See Figure 32 for the following steps.

14a. Place the curved end of the horizontal track (1) over the top track roller of the top section.

14b. Attach the horizontal track to the angle mount (2) with two 1/4" - 20 x 9/16" track bolts (3) and two 1/4" - 20 flange hex nuts (4).

14c. Level (7) the horizontal track assembly and bolt the horizontal track angle (8) to the first encountered slot in the angle mount using one 3/8" - 16 x 3/4" truss-head bolt (5) and one 3/8" - 16 hex nut (6). Repeat for right side.

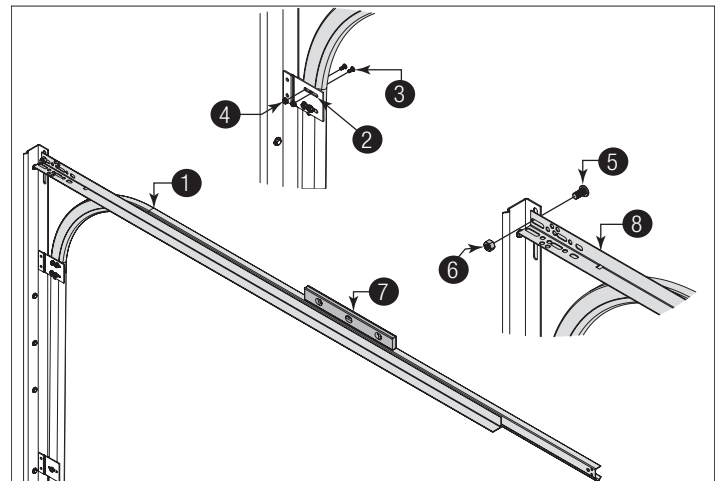


Figure 32, Left Side Shown

## 14 ATTACHING HORIZONTAL TRACKS

**NOTE:** Depending on your door, you may have Fully Adjustable Flag Angles, Riveted Vertical Track Assemblies or you may have Angle Mount Vertical Track Assemblies. Refer to Package Contents / Breakdown of Parts, to determine which Flag Angles / Vertical Track Assemblies you have.

### WARNING

**DO NOT RAISE DOOR UNTIL HORIZONTAL TRACKS ARE SECURED AT REAR, AS OUTLINED IN STEP 24, ATTACHING REAR BACK HANGS. THE REAR BACK HANGS OR DOOR COULD FALL FROM OVERHEAD POSITION CAUSING DEATH OR SERIOUS INJURY.**

**For Flag Angles:**

See Figure 31 for the following steps.

14a. Place the curved end of the horizontal track (1) over the top track roller of the top section.

14b. Attach the horizontal track to the flag angle (2) with two 1/4" - 20 x 9/16" track bolts (3) and two 1/4" - 20 flange hex nuts (4).

14c. Level (7) the horizontal track assembly and bolt the horizontal track angle (8) to the first encountered slot in the flag angle using one 3/8" - 16 x 3/4" truss-head bolt (5) and one 3/8" - 16 hex nut (6). Repeat for right side.

## COUNTERBALANCE INSTALLATION INSTRUCTIONS

### 16 ATTACHING REAR BACK HANGS (NOT INCLUDED)

See Figures 34, 35, and 36 for the following steps.

16a. Raise the door until the top section and half of the next section are in the horizontal track radius. Do not raise door any further since rear of horizontal tracks are not yet supported.

### ! WARNING

**RAISING THE DOOR FURTHER INTO THE LOOSE HORIZONTAL TRACKS CAN RESULT IN DOOR FALLING CAUSING DEATH OR SERIOUS INJURY.**

**IMPORTANT:** If an opener is installed, position horizontal tracks one hole above level when securing them to the rear back hangs.

16b. Using the chart below, select the appropriate perforated angle. Fabricate and install rear back hangs, as shown.

Perforated Angle Gauge Weight Limitations:	
Perforated Angle Gauge	Door Balance Weight
1-1/4" x 1-1/4" x 15 Gauge	220 lb. to 440 lb.
1-1/4" x 1-1/4" x 16 Gauge	175 lb. to 350 lb.

### ! WARNING

**KEEP HORIZONTAL TRACKS PARALLEL AND WITHIN 3/4" TO 7/8" (19 MM - 22 MM) MAXIMUM OF DOOR EDGE. OTHERWISE THE TRACK ROLLERS CAN COME OUT AND DOOR WILL FALL, RESULTING IN DEATH OR SERIOUS INJURY.**

### ! WARNING

**MAKE SURE BACK HANGS ARE BRACED SUFFICIENTLY TO RESIST ANY MOTION DURING SPRING APPLICATION AND DOOR TRAVEL. IF BACK HANGS PIVOT OR DEFLECT, ADD REINFORCEMENT UNTIL THEY REMAIN FIRM AND STATIONARY. ANY BACK HANG THAT HAS BEEN BENT MUST BE REPLACED. FAILURE TO SECURELY BRACE THE HORIZONTAL TRACK CAN RESULT IN DOOR FALLING CAUSING DEATH OR SERIOUS INJURY.**

### NOTICE

DO NOT SUPPORT THE WEIGHT OF THE DOOR ON ANY PART OF THE REAR BACK HANGS THAT IS 4" (102 MM) OR MORE BEYOND A SOUND FRAMING MEMBER.

### NOTICE

IF REAR BACK HANGS ARE TO BE INSTALLED OVER DRYWALL, USE TWO 5/16" X 2" HEX-HEAD LAG SCREWS AND MAKE SURE LAG SCREWS ENGAGE INTO SOLID STRUCTURAL LUMBER.

### ! DANGER

**FAILURE TO ASSEMBLE AND ATTACH REAR BACK HANGS PROPERLY ACCORDING TO THE ABOVE INSTRUCTIONS MAY RESULT IN DOOR FALLING WHEN RAISED, CAUSING DEATH OR SERIOUS INJURY.**

### NOTICE

PERFORATED ANGLE MUST BE ATTACHED TO SOUND FRAMING MEMBERS AND NAILS SHOULD NOT BE USED.

1	Horizontal Track	5	3/8" - 16 x 3/4" Truss-Head Bolt
2	Angle Mount	6	3/8" - 16 Hex Nut
3	1/4" - 20 x 9/16" Track Bolts	7	Level
4	1/4" - 20 Flange Hex Nuts	8	Horizontal Track Angle

14d. When complete, remove the nail that was holding the top section in position.

### NOTICE

FAILURE TO REMOVE NAIL BEFORE ATTEMPTING TO RAISE DOOR COULD CAUSE PERMANENT DAMAGE TO TOP SECTION.

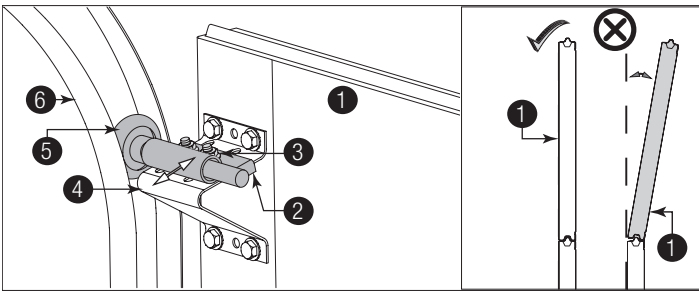
### 15 ADJUSTING TOP FIXTURES

See Figure 33 for the following steps.

15a. Vertically align the top section ① of the door with the lower sections. Position the top fixture slide ② with a track roller ⑤ out against the horizontal track ⑥.

15b. Maintaining the slide's position, tighten the (2) 1/4" - 20 flange hex nuts ③ to secure the top fixture slide to the top fixture base ④.

15c. Repeat for right side.



See Figure 33, Left Side Shown

1	Door Top Section	4	Top Fixture Base
2	Top Fixture Slide	5	Track Roller
3	1/4" - 20 Flange Hex Nuts	6	Horizontal Track

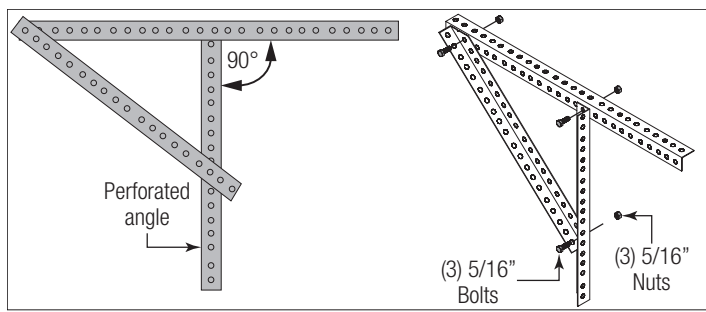


Figure 34

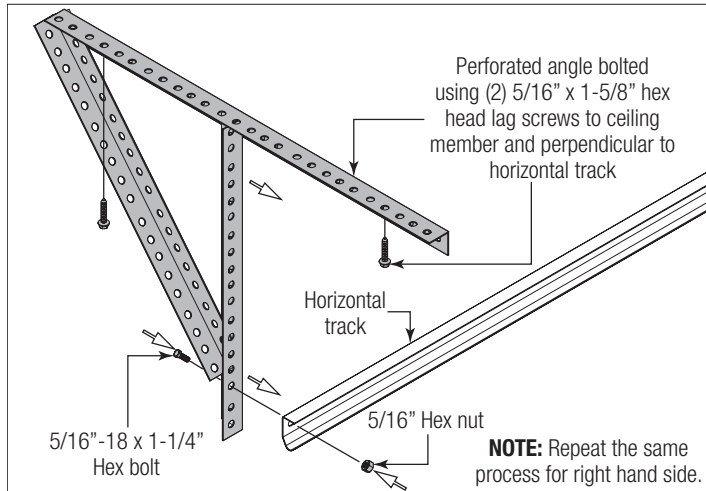


Figure 35

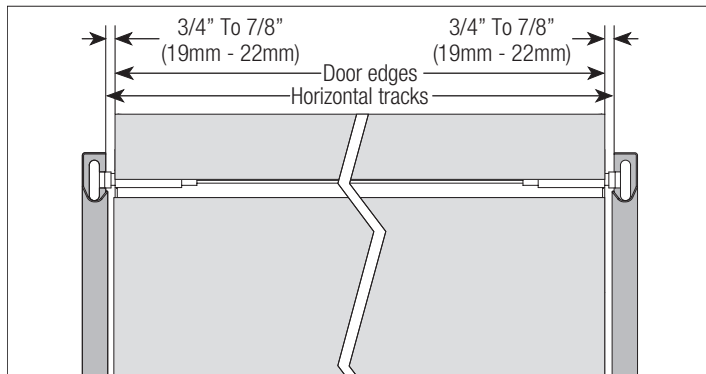


Figure 36

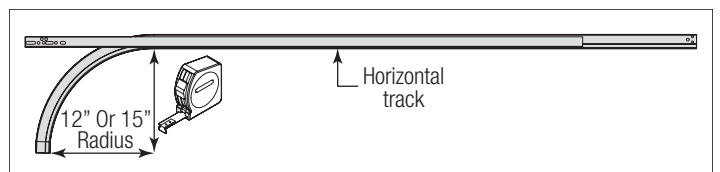


Figure 37, Left Side Shown

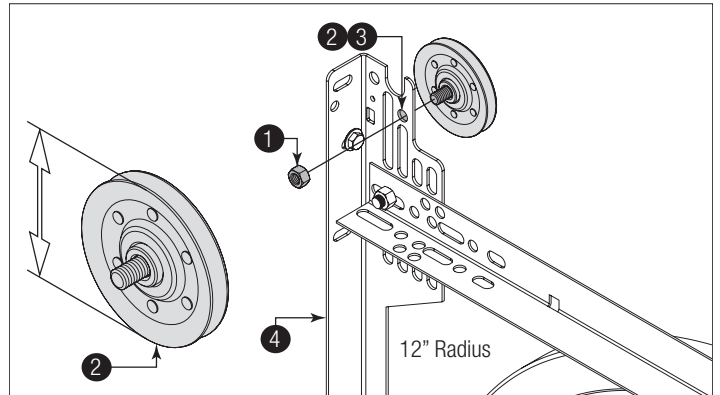


Figure 38, Left Side Shown

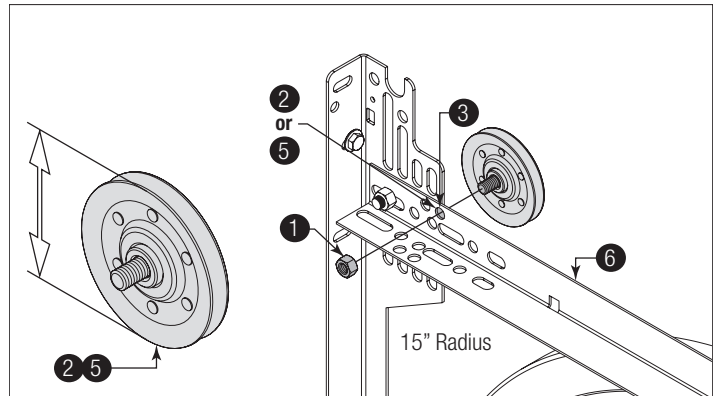


Figure 39, Left Side Shown

1	3/8" - 16 Hex Nut	4	Flag Angle
2	3" Front Cable Lift Sheave	5	4" Front Cable Lift Sheave
3	13/32" Hole	6	Horizontal Track Angle

## 17 ATTACHING FRONT CABLE LIFT SHEAVES

See Figure 37 through Figure 39 for the following steps.

**If you have 3" front cable lift sheave and a 12" radius horizontal track:**

17a. Starting on the left hand side and using one 3/8" - 16 hex nut ①, secure the 3" front cable lift sheave ② to the 13/32" hole ③ near the top of the flag angle ④.

17b. Repeat the same process for the right hand side.

**If you have 3" or 4" front cable lift sheave and a 15" radius horizontal track:**

17a Starting on the left hand side and using one 3/8" - 16 hex nut ①, secure the front cable lift sheave ② ⑤ to the first 13/32" hole ③ in the horizontal track angle ⑥.

17b. Repeat the same process for the right hand side.

## 18 ATTACHING EXTENSION SPRINGS

### ! WARNING

**WITH ASSISTANCE, RAISE THE DOOR SLOWLY INTO THE OPEN POSITION MAKING SURE THE DOOR TRAVELS SMOOTHLY THROUGH THE TRACKS. CLAMP LOCKING PLIERS ① TO THE BACK LEG OF BOTH HORIZONTAL TRACKS ②, BELOW THE BOTTOM TRACK ROLLERS ③ TO KEEP THE DOOR FROM LOWERING.**

### ! WARNING

**FAILURE TO INSTALL SPRING RESTRAINT CABLES CAN RESULT IN SEVERE OR FATAL INJURY IN CASE OF SPRING BREAKAGE.**

**NOTE:** Some larger doors feature two pairs of extension springs ⑮. A spring restraint cable must be installed through each spring.

**IMPORTANT:** Spring restraint cables must be taut and equalized.

See Figure 40 through Figure 43 for the following steps.

18a. Remove the locking pliers from the vertical tracks.

18b. Position one 5/16" - 18 x 3-3/4" eye bolt (4) and one 5/16" - 18 hex nut (5) into the rear back hang (6), 6" to 8" (7) above the horizontal track.

18c. Feed the spring safety cable (8) through the rear back hang and tie the special knot (9) around the "room side" of the 3 hole clip (10).

18d. Secure the eye bolt (11) and 3 hole clip to the rear back hang using one 5/16" - 18 hex nut.

18e. Hook one end of the extension spring (12) onto the eye bolt. Feed the spring safety cable through the rear extension spring loop and center of the extension spring then front spring loop, pull the spring safety cable taut and tie the special knot around the "jamb side" of the 3 hole clip.

18f. Attach the "jamb side" 3 hole clip to the jamb near the flag angle (13) using one 5/16" x 1-5/8" lag bolt (14).

18f. Repeat the same process for the other side.

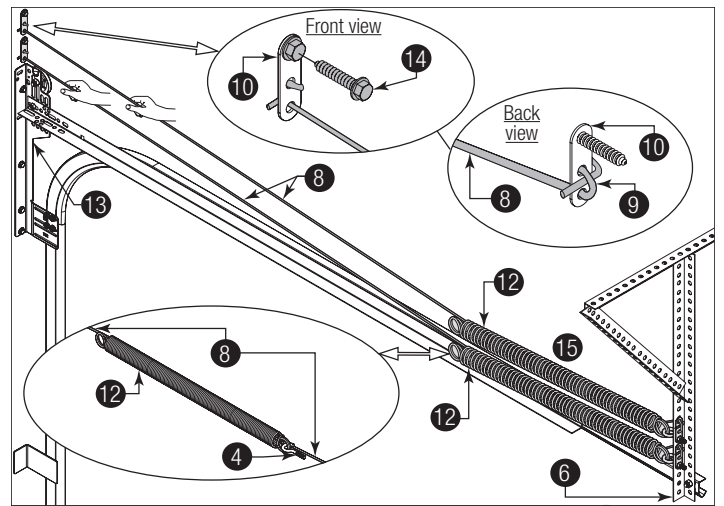


Figure 42, Left Side Shown

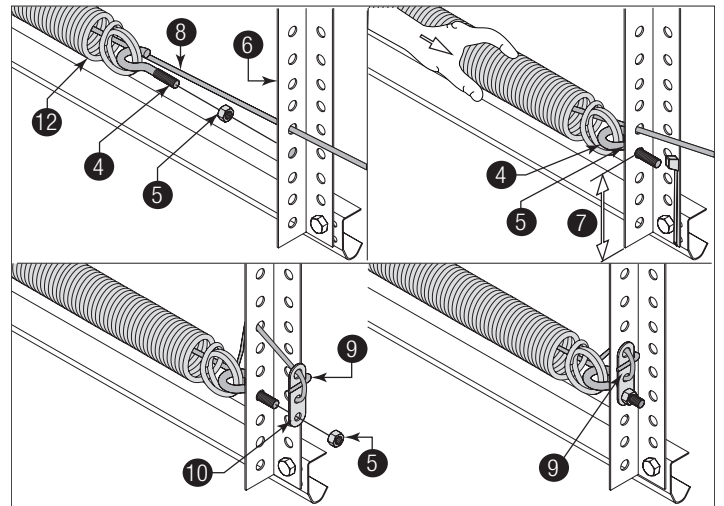


Figure 43, Left Side Shown

4	5/16" - 18 x 3-3/4" Eye Bolt	10	3 Hole Clip
5	5/16" - 18 Hex Nut	11	Eye Bolt
6	Rear Back Hang	12	Extension Spring
7	6" To 8"	13	Flag Angle
8	Spring Safety Cable	14	5/16" x 1-5/8" Lag Bolt
9	Special Knot	15	Two Pairs Of Extension Springs

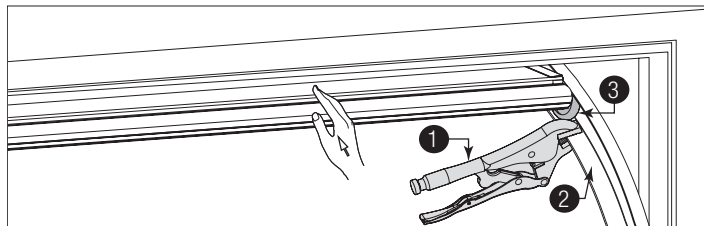


Figure 40, Outside Of The Door In The Open Position

1	Locking Pliers	3	Bottom Track Rollers
2	Back Leg Of Both Horizontal Tracks		

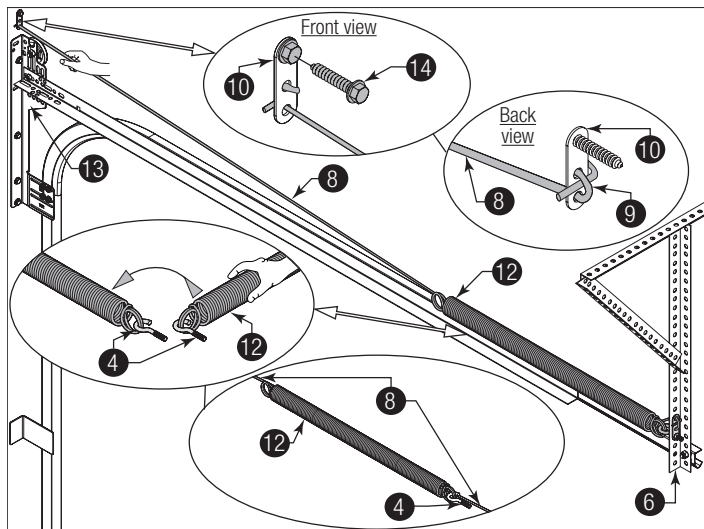


Figure 41, Left Side Shown

## 19 ATTACHING SPRING SHEAVES

**NOTE:** Some larger doors feature 2 pairs of extension springs (14). A spring restraint cable must be installed through each spring.

**IMPORTANT:** Close "S" hooks and eye bolts (13) with locking pliers, to prevent springs from coming loose.

### **! WARNING**

**FAILURE TO CLOSE "S" HOOKS AND EYE BOLTS CAN RESULT IN SEVERE OR FATAL INJURY IF SPRINGS COME LOOSE.**

See Figure 44 through Figure 46 for the following steps.

**If you have one pair of extension springs:**

19a. Hook the sheave fork 1 through the front loop of the extension spring 2 and attach the sheave fork to the rear cable lift sheave 3 using one 3/8" - 16 x 1-1/4" hex head bolt 4 and one 3/8" - 16 hex nut 5.

19b. Thread the counterbalance lift cable 6 over the front cable lift sheave 7 and around the rear cable lift sheave.

19c. Tie the special knot around the "horizontal track angle" 8 using a 3 hole clip 9.

19d. Insert one end of the small "S" hook 10 into the "horizontal track angle" with the 3 hole clip and the other end into the second slot of the horizontal track angle.

19e. Repeat same process for the other side.

**If you have two pair of extension springs:**

19a. Insert two large "S" hooks 11 and the sheave fork 1 into the hook plate 12.

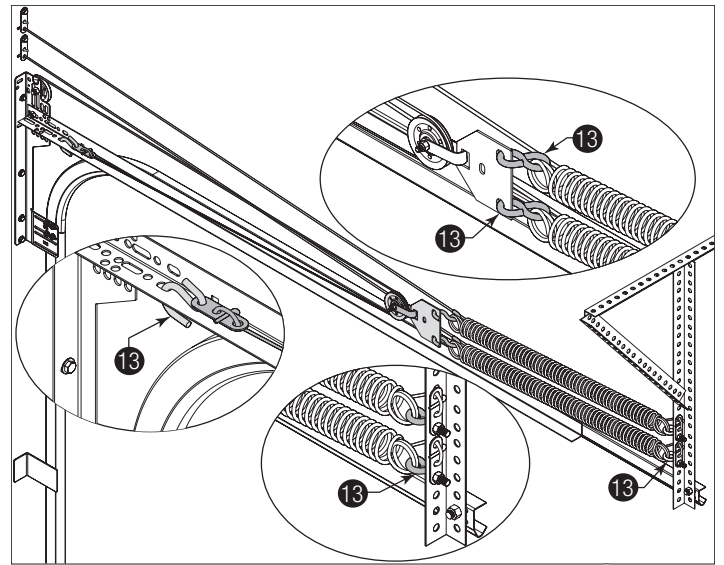
19b. Attach the sheave fork to the rear cable lift sheave 3 using one 3/8" - 16 x 1-1/4" hex head bolt 4 and one 3/8" - 16 hex nut 5.

19c. Thread the counterbalance lift cable 6 over the front cable lift sheave 7 and around the rear cable lift sheave.

19d. Tie the special knot around the "horizontal track angle" 8 using a 3 hole clip 9.

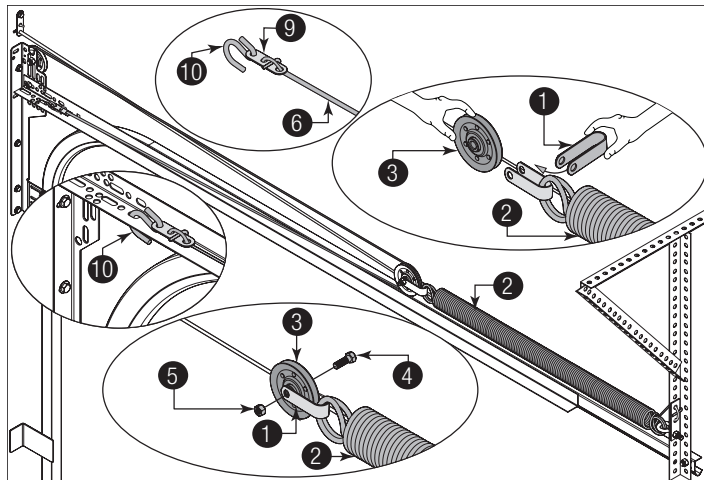
19e. Insert one end of the small "S" hook 10 into the "horizontal track angle" with the 3 hole clip and the other end into the second slot of the horizontal track angle.

19f. Repeat same process for the other side.

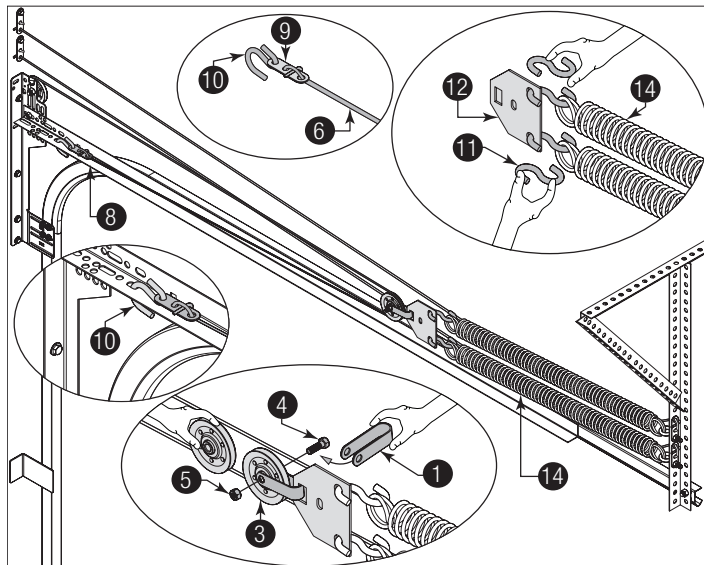


**Figure 46, Left Side Shown**

1	Sheave Fork	8	Horizontal Track Angle
2	Extension Spring	9	3 Hole Clip
3	Rear Cable Lift Sheave	10	Small "S" Hook
4	3/8" - 16 x 1-1/4" Hex Head Bolt	11	Large "S" Hooks
5	3/8" - 16 Hex Nut	12	Hook Plate
6	Counterbalance Lift Cable	13	Close "S" Hooks And Eye Bolts
7	Front Cable Lift Sheave	14	Two Pairs Of Extension Springs



**Figure 44, Left Side Shown**



**Figure 45, Left Side Shown**

## 20 COUNTERBALANCE LIFT CABLE ADJUSTMENTS

**NOTE:** It may be necessary to adjust spring length for proper door balance.

**IMPORTANT:** Whenever adjusting extension spring length for door balance, always open the door to the fully open position and return the locking pliers, as shown in Figure 49 to the horizontal tracks below the bottom track rollers.

20a. Adjust counterbalance lift cables to create about 1" to 2" (25 mm to 50 mm) of initial extension spring stretch, with the door in the fully opened position.

20b. Measure relaxed extension spring length for your door height and verify with the chart below. Spring length must be the same for both extension springs to allow even door balance.

20c. Carefully remove the locking pliers from the horizontal track and lower the door into the closed position. Once the door is closed, measure the extension spring length in tension for both sides. Using the chart, verify the spring length in tension is correct with your door height.

Door Height	Spring Length Relaxed (Door Open)	Spring Length Extended (Door Closed)
6' 0"	25" (635 mm)	61" (1549 mm)
6' 3"	25" (635 mm)	62-1/2" (1588 mm)
6' 6"	25" (635 mm)	64" (1626 mm)
7' 0"	25" (635 mm)	67" (1702 mm)
7' 6"	27" (686 mm)	72" (1829 mm)
7' 9"	27" (686 mm)	73-1/2" (1867 mm)
8' 0"	27" (686 mm)	75" (1905 mm)

## 21 BALANCING DOOR

**IMPORTANT:** Whenever adjusting extension spring length for door balance, always open the door to the fully open position and return the locking pliers, as shown in Figure 40 to the horizontal tracks below the bottom track rollers.

**IMPORTANT:** IF DOOR STILL DOES NOT BALANCE PROPERLY, THEN CONTACT A TRAINED DOOR SYSTEM TECHNICIAN.

21a. Lift door and check its balance. If door rises off floor more than 2 ft. under spring tension alone, reduce spring tension by adjusting extension spring length, moving the "S" hook backward (towards the rear back hangs) to a different hole in the horizontal track. If the door is hard to rise or drifts down on its own, adjust extension spring length by moving the "S" hook forward (towards the header) to a different hole in the horizontal track. A poorly balanced door can cause garage door operator problems.

21b. If the door still does not operate easily, raise the door into the open position, return the locking pliers, and recheck the following items:

- 1.) Is the door level?
- 2.) Are the flag angles level and plumb?
- 3.) Does the distance between the flag angles equal door width plus 3-3/8" to 3-1/2"?
- 4.) Do the counterbalance lift cables have equal tension? Adjust by re-tying the special knot, if necessary.
- 5.) Make sure door is not rubbing on jambs.

## 22 ATTACHING WEATHERSTRIPS (NOT INCLUDED)

### NOTICE

WHEN PERMANENTLY ATTACHING THE WEATHERSTRIPS TO THE JAMBS, AVOID PUSHING THE WEATHER-STRIPS TOO TIGHTLY AGAINST THE FACE OF DOOR.

See Figure 47 for the following steps.

22a. Permanently attach the nails to the weatherstrips on both door jambs ① and the header ②. The weatherstrips were temporarily attached in Preparing the Opening, in the pre-installation section of this manual.

**NOTE:** For clarity, door isn't shown.

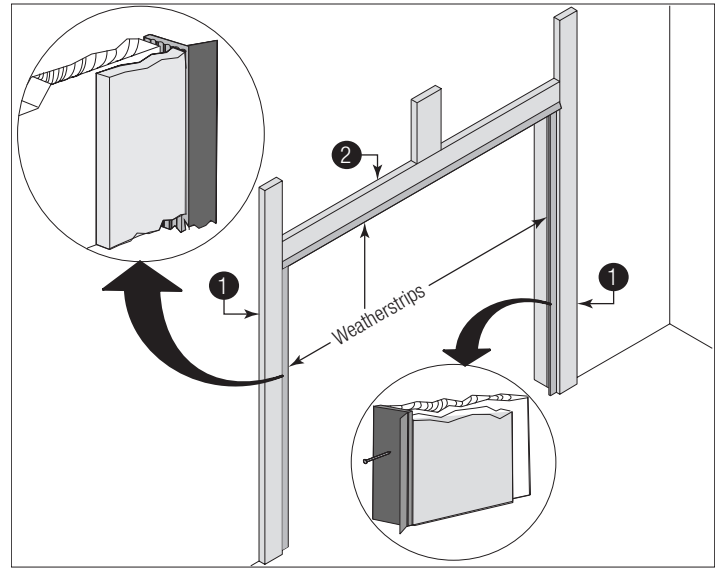


Figure 47, Weatherstrips

1	Door Jambs	2	Header
---	------------	---	--------

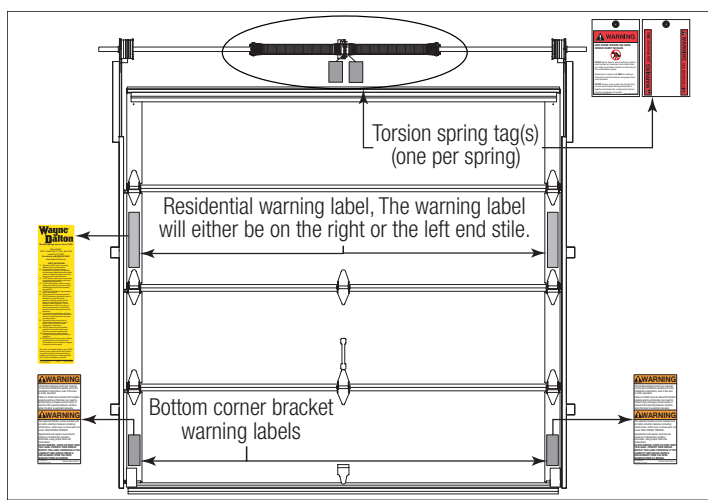
## 23 LABEL PLACEMENT

**IMPORTANT:** Using the illustration, attach the appropriate labels to the appropriate location on the section, as shown in Figure 48.

**NOTE:** The Spring Warning tag(s) are factory attached (one per spring).

**NOTE:** Because of different configurations, some labels may require minor relocations.





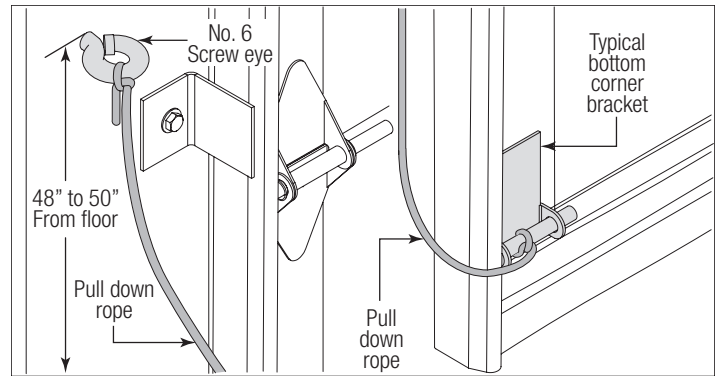
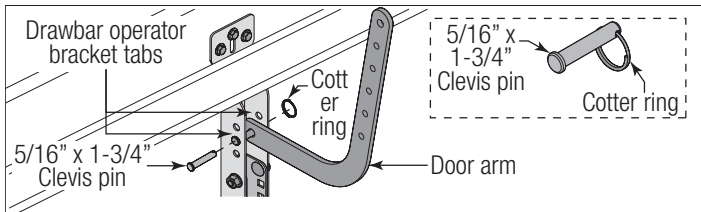
**Figure 48**

# OPTIONAL INSTALLATION

## Trolley Arm Hookup

**NOTE:** If Wayne Dalton operator / trolley bracket was installed, follow these directions.

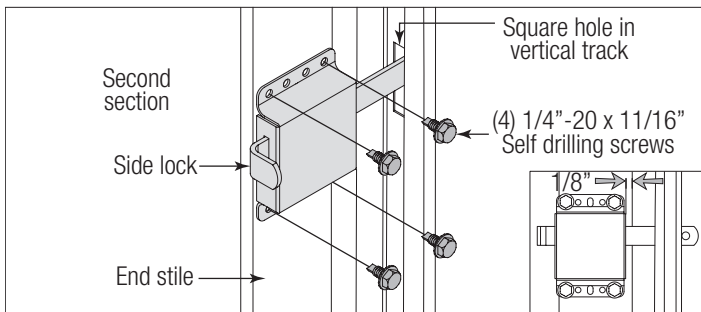
Align hole in the door arm with holes in operator bracket tabs, as shown. Attach with 5/16" x 1-3/4" cotter pin and cotter ring.



## Inside Lock

Install the inside lock on the second section of the door. Secure the lock to the section with (4) 1/4" - 20 x 11/16" self drilling screws. Square the lock assembly with the door section, and align with the square hole in the vertical track. The inside lock should be spaced approximately 1/8" away from the section edge.

**IMPORTANT:** Inside lock(s) must be removed or made inoperative in the unlocked position if an operator is installed on this door.



## Pull Down Rope

### **WARNING**

**DO NOT INSTALL PULL DOWN ROPE ON DOORS WITH OPERATORS. CHILDREN MAY BECOME ENTANGLED IN THE ROPE CAUSING SEVERE OR FATAL INJURY.**

Measure and mark the jamb approximately 48" to 50" (1220 to 1270 mm) from floor on the right or left side of jamb. Drill 1/8" pilot hole for no. 6 screw eye. Tie the pull down rope to the no. 6 screw eye and to the bottom corner bracket, as shown.

## Cleaning Your Garage Door

### NOTICE

DO NOT USE A PRESSURE WASHER ON YOUR GARAGE DOOR!

Like any other exterior surface, Wayne Dalton garage doors will have dirt exposure from atmospheric conditions. Ordinarily, the cleaning action of rainfall will be adequate to wash the door, or the door can be washed periodically by hosing with a garden hose and clear water (in particular) for the areas not accessible to rain. If you desire to do a more thorough cleaning, or where soil collection conditions occur, follow these simple instructions.

1. Use a soft-bristled, long-handled washing brush. It attaches to your garden hose and makes washing your garage door easier. Do not rub vigorously which may create glossy areas over the vinyl finish.

2. For hard-to-remove dirt, such as soot and grime found in industrial areas, wash the garage door down with a mild solution consisting of the following ingredients:

### NOTICE

THE USE OF DETERGENTS CONTAINING GREATER THAN 0.5% PHOSPHATE IS NOT RECOMMENDED FOR USE IN GENERAL CLEANING OF GARAGE DOORS. BE SURE TO CLEAN BEHIND WEATHER-STRIPS ON BOTH SIDES AND TOP OF DOOR.

3. Start at the bottom and work up to the top, as less streaking will result. Immediately following all washing operations, thoroughly rinse the surface area with fresh water from a garden hose.

This cleaning and maintenance information is suggested in an effort to be of assistance; however, manufacturer cannot assume responsibility for results obtained which are dependent on the cleaning solution and method of application.

### NOTICE

DO NOT PAINT DOOR. PAINTING DOOR WILL VOID YOUR WARRANTY.

## Operation And Maintenance

### Operating Your Garage Door:

Before you begin, read all warning labels affixed to the door and the installation instructions and owner's manual. When correctly installed, your Wayne Dalton door will operate smoothly. Always operate your door with controlled movements. Do not slam your door or throw your door into the open position, this may cause damage to the door or its components. If your door has an electric opener, refer to the owner's manual to disconnect the opener before performing manual door operation below.

### Manual Door Operation:

For additional information on manual garage door operation go to [www.dasma.com](http://www.dasma.com) and reference TDS 165.

### CAUTION

**DO NOT PLACE FINGERS OR HANDS INTO SECTION JOINTS WHEN OPENING AND/OR CLOSING A DOOR. ALWAYS USE LIFT HANDLES/SUITABLE GRIPPING POINTS WHEN OPERATING THE DOOR MANUALLY.**

**OPENING A DOOR:** Make sure the lock (if present) are in the unlocked position. Lift the door by using the lift handles / suitable gripping points only. Door should open with little resistance.

**CLOSING A DOOR:** From inside the garage, pull door downward using lift handles/gripping points only. If you are unable to reach the lift handles / suitable gripping points only, use pull-down rope (if present) affixed to the side of door. Door should close completely with little resistance.

### Using An Electric Operator:

**IMPORTANT:** If present, Pull-down rope must be removed and locks must be removed or made inoperative in the unlocked position.

When connecting a drawbar (trolley-type) garage door operator to this door, a drawbar operator bracket must be securely attached to the top section of the door, along with any struts provided with the door. Always use the drawbar operator bracket supplied with the door. To avoid possible damage to your door, reinforce the top section with a strut (may or may not be supplied). The installation of the drawbar operator must be according to manufacturer's instructions and force settings must be adjusted properly. Refer to the owner's manual supplied with your drawbar operator for complete details on installation, operation, maintenance and testing of the operator.

### Maintaining Your Garage Door:

Before you begin, read all warning labels affixed to the door and the installation instructions and owner's manual. Perform routine maintenance steps once a month, and have the door professionally inspected once a year. Review your Installation Instructions and Owner's Manual for the garage door. These instructions are available at no charge from Wayne Dalton, a division of Overhead Door Corporation, P.O. Box 67, Mt. Hope, OH, 44660, or at [www.Wayne-Dalton.com](http://www.Wayne-Dalton.com). For additional information on garage door/operator maintenance go to [www.dasma.com](http://www.dasma.com) and reference TDS 151, 167 and 179.

### Monthly Inspections:

#### 1. Visual Inspection:

Closely inspect jambs, header and mounting surface. Any material found not to be structurally sound must be replaced. It may be necessary to uninstall part or all of the door assembly in order to replace defective material. Refer to the supplemental instructions "Removing an Existing Door/Preparing the Opening" at [www.Wayne-Dalton.com](http://www.Wayne-Dalton.com). Inspect the spring(s), counterbalance lift cables, track rollers, pulleys, rear back hangs and other door hardware for signs of worn or broken parts. Tighten any loose screws and/or bolts, except on bottom corner brackets or on the counterbalance assembly. Check exterior surface of the door sections for any minor cracks. Verify door has not shifted right or left in the opening. If you suspect problems, contact a trained door system technician.

### DANGER

**GARAGE DOOR SPRINGS, COUNTERBALANCE LIFT CABLES, BRACKETS, AND OTHER HARDWARE ATTACHED TO THE SPRINGS ARE UNDER EXTREME TENSION, AND IF HANDLED IMPROPERLY, CAN CAUSE DEATH OR SERIOUS INJURY. ONLY A TRAINED DOOR SYSTEMS TECHNICIAN SHOULD ADJUST THEM, BY CAREFULLY FOLLOWING THE MANUFACTURER'S INSTRUCTIONS.**

### WARNING

**NEVER REMOVE, ADJUST, OR LOOSEN THE BOLTS, SCREWS AND/OR LAG SCREWS ON THE COUNTERBALANCE (END BEARING BRACKETS, DRUMS OR SPRING SYSTEM) OR BOTTOM CORNER BRACKETS OF THE DOOR. THESE BRACKETS ARE CONNECTED TO THE SPRING(S) AND ARE UNDER EXTREME TENSION. TO AVOID POSSIBLE DEATH OR SERIOUS INJURY, HAVE ANY SUCH WORK PERFORMED BY A TRAINED DOOR SYSTEMS TECHNICIAN USING PROPER TOOLS AND INSTRUCTIONS.**

### Torsion Springs:

The torsion springs (located above the door) should only be adjusted by a trained door systems technician. **DO NOT** attempt to repair or adjust torsion springs yourself.

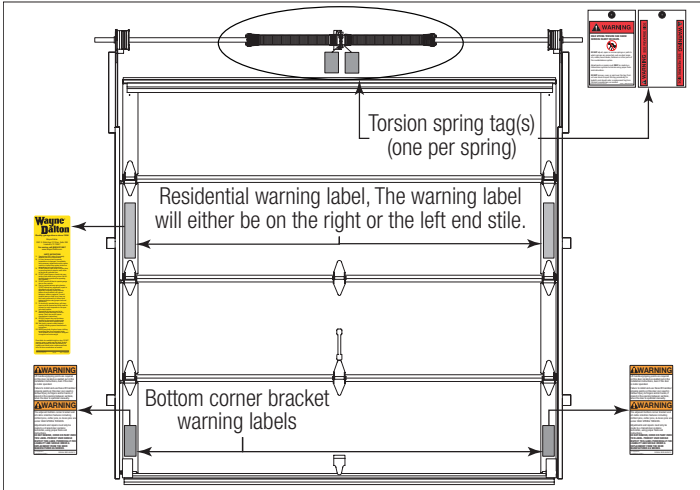
### 2. Door Balance:

Periodically test the balance of your door. If you have a garage door drawbar operator, use the release mechanism so you can operate the door by hand when doing this test. Start with the door in the fully closed position. Using handles or suitable gripping points, lift the door to check its balance. If door lifts by itself (hard to pull down) or if door is difficult to lift (easy to pull down), have it adjusted by a trained door systems technician. **DO NOT** attempt to repair or adjust Torsion Springs yourself.

### 3. Lubrication:

The door should open and close smoothly. Ensure the door track rollers are rotating freely when opening and closing the door. If track rollers do not rotate freely, clean the door tracks, removing dirt and any foreign substances. Clean and lubricate (use a non-silicon based lubricant) graduated end hinges, center hinges, steel track rollers, bearings and torsion springs (torsion spring coil surfaces). DO NOT lubricate plastic idler bearings, nylon track rollers, or the door track. DO NOT oil a cylinder lock. If actuation is difficult, use a graphite dust to lubricate.

### Check for Presence of Safety Labels:





## Model 8700

### Limited Warranty

Wayne Dalton, a division of Overhead Door Corporation ("Seller") warrants to the original purchaser of the Model 8700 ("Product"), subject to all of the terms and conditions hereof, that the Product and all components thereof will be free from defects in materials and workmanship for the following period(s) of time, measured from the date of installation:

- **FIFTEEN (15) YEARS** – Against peeling flaking, chipping or cracking of the vinyl skin.
- **FIVE (5) YEARS** – Against excessive color fading of the vinyl skin, not due to normal weathering, which materially alters the color of the Product and cannot be remedied by cleaning with the recommended solution
- **ONE (1) YEAR** – All other components of the Product

Seller's obligation under this warranty is specifically limited to repairing or replacing, at its option, any part which is determined by Seller to be defective during the applicable warranty period. Any labor charges are excluded and will be the responsibility of the purchaser.

This warranty gives you specific legal rights, and you may also have other rights which vary from state to state. This warranty is made to the original purchaser of the Product only, and is not transferable or assignable. This warranty applies only to Product installed in a residential or other non-commercial application. It does not cover any Product installed in commercial or industrial building applications. This warranty does not apply to any unauthorized alteration or repair of the Product, or to any Product or component which has been damaged or deteriorated due to misuse, neglect, accident, failure to provide necessary maintenance, improper installation of hardware, puncture, normal wear and tear, or acts of God or any other cause beyond the reasonable control of Seller. This warranty specifically excludes any damage resulting from scratching, abrasion or impact by any hard object or exposure to toxic or abrasive environments including toxic chemicals or fumes, and any fading or color change which may not be uniform due to unequal exposure of the curtains to sunlight or other elements. The Product is not recommended for use in hot, dry climates. This warranty specifically excludes coverage for any Product used or installed in Utah, Arizona, Nevada, New Mexico, Colorado and the West and Southwest regions of Texas. The Limited Warranty for the sections of the door will be voided if sections are painted.

ALL EXPRESS AND IMPLIED WARRANTIES FOR THE PRODUCT, INCLUDING BUT NOT LIMITED TO ANY IMPLIED WARRANTIES OF MERCHANTABILITY AND FITNESS FOR A PARTICULAR PURPOSE, ARE LIMITED IN TIME TO THE APPLICABLE WARRANTY PERIOD REFLECTED ABOVE. NO WARRANTIES, WHETHER EXPRESS OR IMPLIED, WILL APPLY AFTER THE LIMITED WARRANTY PERIOD HAS EXPIRED. Some states do not allow limitations on how long an implied warranty lasts, so the above limitation may not apply to you.

IN NO EVENT SHALL SELLER BE RESPONSIBLE FOR, OR LIABLE TO ANYONE FOR, SPECIAL, INDIRECT, COLLATERAL, PUNITIVE, INCIDENTAL OR CONSEQUENTIAL DAMAGES, even if Seller has been advised of the possibility of such damages. Such excluded damages include, but are not limited to, loss of use, cost of any substitute product, or other similar indirect financial loss. Some states do not allow the exclusion or limitation of incidental or consequential damages, so the above limitation or exclusion may not apply to you.

Claims under this warranty must be made promptly after discovery, within the applicable warranty period, and in writing to the authorized distributor or installer whose name and address appear below. The purchaser must allow Seller a reasonable opportunity to inspect any Product claimed to be defective prior to removal or any alteration of its condition. Proof of the purchase and/or installation date, and identification as the original purchaser, may be required. There are no established informal dispute resolution procedures of the type described in the Magnuson-Moss Warranty Act.

SELLER: \_\_\_\_\_

SELLER'S ADDRESS: \_\_\_\_\_  
\_\_\_\_\_

---

Thank you for your purchase.

---

**PLEASE DO NOT RETURN THIS PRODUCT TO THE STORE**

If you need assistance, please call 1-866-569-3799 (press Option 1) and follow the prompts to contact a customer service representative. They will be happy to handle any questions that you may have.

---

After installation is complete, leave this Installation Instructions And Owner's Manual with the homeowner, or fasten it near garage door for easy reference.