

**INSTALLATION INSTRUCTIONS AND OWNER'S MANUAL**

**Models 9100 / 9405 / 9605**

**RESIDENTIAL**  
**STANDARD LIFT WINDLOAD**

**TORQUEMASTER<sup>®</sup> PLUS**

**PLEASE DO NOT RETURN THIS PRODUCT TO  
THE STORE**

If you need assistance, please call 1-866-569-3799 (press Option 1) and follow the prompts to contact a customer service representative. They will be happy to handle any questions that you may have.

**IMPORTANT NOTICES!**

Carefully read and fully understand the enclosed instructions before installing and operating the garage door.

Pay close attention to all warnings and notes.

After installation is complete, fasten this manual near garage door for easy reference.

This Installation document is available at no charge from:

- Your local Wayne Dalton Sales Center
- Online at **www.Wayne-Dalton.com**
- By mailing a request to: Wayne Dalton, a division of Overhead Door Corporation, P.O. Box 67, Mt. Hope, OH., 44660

# Table Of Contents

<b>PRE-INSTALLATION</b>	<b>3</b>
Important Safety Instructions	3
<b>REMOVING AN EXISTING DOOR AND PREPARING THE OPENING</b>	<b>5</b>
Package Contents	6
Door Section Identification	7
Tools Required	8
<b>BREAKDOWN OF PARTS</b>	<b>9</b>
<b>INSTALLATION INSTRUCTIONS</b>	<b>10</b>
Door Installation Instructions	10
Counterbalance Installation Instructions	19
<b>OPTIONAL INSTALLATION</b>	<b>27</b>
TorqueMaster® Plus Reset Instructions	27
Door Arm Hookup	28
Trolley Arm Configuration	28
Inside Lock	28
Pull Down Rope	29
Step Plate	29
<b>MAINTENANCE</b>	<b>30</b>
Cleaning Your Garage Door	30
Painting Your Garage Door	30
Maintaining The Finish On Your Garage Door	30
Operation And Maintenance	30
<b>WARRANTY</b>	<b>32</b>

## Important Safety Instructions

### DEFINITION OF KEY WORDS USED IN THIS MANUAL:

#### **DANGER**

INDICATES A HAZARDOUS SITUATION THAT, IF NOT AVOIDED, WILL RESULT IN DEATH OR SERIOUS INJURY.

#### **WARNING**

INDICATES A HAZARDOUS SITUATION THAT, IF NOT AVOIDED, COULD RESULT IN DEATH OR SERIOUS INJURY.

#### **CAUTION**

INDICATES A HAZARDOUS SITUATION THAT, IF NOT AVOIDED, COULD RESULT IN MINOR OR MODERATE INJURY.

#### **NOTICE**

INDICATES INFORMATION CONSIDERED IMPORTANT, THAT IT IS NOT RELATED TO INJURY, BUT MAY RESULT IN PROPERTY DAMAGE.

**IMPORTANT:** Required key step for proper door operation.

**NOTE:** Information only.

### Installation:

#### **WARNING**

INSTALLING THIS DOOR PROPERLY REQUIRES THE USE OF SPECIAL TOOLS AND TECHNIQUES. ALWAYS USE THE CORRECT TOOLS OR TECHNIQUES WHEN PERFORMING INSTALLATION. FAILURE TO USE PROPER TOOLS OR TECHNIQUES OR ADHERE TO SAFETY MESSAGES, COULD RESULT IN SEVERE OR FATAL INJURY.

#### **DANGER**

EXTREME CAUTION SHOULD BE USED WHEN WINDING SPRINGS AS FAILURE TO FOLLOW THE INSTRUCTIONS OR USE THE PROPER TOOLS CAN LEAD TO SERIOUS INJURY TO PERSONS AND PROPERTY. BEFORE ATTEMPTING TO WIND THE SPRING, MAKE SURE YOU HAVE READ AND UNDERSTAND THE INSTRUCTIONS. IF YOU ARE UNCLEAR ON ANY ASPECT OF THE INSTALLATION PROCEDURES, YOU SHOULD CONSULT A TRAINED DOOR SYSTEMS TECHNICIAN.

- READ THESE INSTRUCTIONS CAREFULLY BEFORE ATTEMPTING INSTALLATION. IF YOU ARE IN QUESTION ABOUT ANY OF THE PROCEDURES, DO NOT PERFORM THE WORK. INSTEAD, HAVE A TRAINED DOOR SYSTEMS TECHNICIAN DO THE INSTALLATION OR REPAIRS.
- Wear protective gloves and eye protection during installation, to avoid possible injury.
- **DO NOT** install door in windy conditions. Door could fall during the installation, causing severe or fatal injury.
- Doors 12'-0" wide and larger should be installed by two persons, to avoid possible injury.
- On electrically operated doors, pull down ropes must be removed and locks must be removed or made inoperative in the open (unlocked) position, unless electrical interlocks are installed.
- Impact guns are not recommended. When installing 5/16" lag screws using an electric drill/ driver, the drill/ drivers clutch must be set to deliver no more than 200 in-lbs of torque. Fastener failure could occur at higher settings.
- Check with your local building official for wind load code requirements and building permit information.
- For windloaded doors, the wind performance is achieved via the entire door system and component substitution is not authorized without express permission by the manufacturer.

#### **CAUTION**

IF ANY PART OF THE DOOR IS TO BE INSTALLED ONTO PRESERVATIVE-TREATED WOOD, PTFE-COATED OR STAINLESS STEEL FASTENERS MUST BE OBTAINED AND USED. REPLACEMENT FASTENERS MUST BE OF AT LEAST EQUAL STRENGTH AND SIZE AS ORIGINAL FASTENERS. IF THE ORIGINAL FASTENER WAS RED-HEAD, THE REPLACEMENT FASTENER MUST BE RED-HEAD ALSO. CONTACT WAYNE DALTON FOR FASTENER STRENGTH VALUES IF NEEDED.

**Operation:**

**⚠ WARNING**

**TO PREVENT DEATH OR SERIOUS INJURY WHILE OPERATING THE DOOR, ENSURE THE PATH OF THE DOOR IS NOT OBSTRUCTED BY ANY PERSON OR OBJECT AND ADHERE TO THE FOLLOWING SAFETY MEASURES.**

- Operate door only when it is properly adjusted and free from obstructions.
- If a door becomes hard to operate, inoperative or is damaged, immediately have necessary adjustments and/ or repairs made by a trained door system technician using proper tools and instructions.
- **DO NOT** stand or walk under a moving door, or permit anybody to stand or walk under an electrically operated door.
- **DO NOT** place fingers or hands into open section joints when closing a door. Use lift handles/ gripping points when operating door manually.
- **DO NOT** permit children to operate garage door or door controls. Severe or fatal injury could result should the child become entrapped between the door and the floor.
- Visually inspect door and hardware monthly for worn and or broken parts. Check to ensure door operates freely. Test electric opener's safety features monthly, following opener manufacturer's instructions.
- **NEVER** hang tools, bicycles, hoses, clothing or anything else from horizontal tracks. Track systems are not intended or designed to support extra weight.

Potential Hazard	Effect	Prevention
 <p>Moving door</p>	<p><b>⚠ WARNING</b></p> <p>Could result in Death or Serious Injury</p>	<p>Keep people clear of opening while Door is moving.</p> <p>Do <b>NOT</b> allow children to play with the Door Opener.</p> <p>Do <b>NOT</b> operate a Door that jams or one that has a broken spring.</p>
 <p>High tension spring</p>	<p><b>⚠ DANGER</b></p> <p>Will result in Death or Serious Injury</p>	<p>Do <b>NOT</b> try to remove, install, repair or adjust springs or anything to which door spring parts are fastened, such as, wood blocks, steel brackets, cables or other like items.</p> <p>Installations, repairs and adjustments must be done by a trained door system technician using proper tools and instructions.</p>

**IMPORTANT:** RIGHT and LEFT hand is determined inside the building looking out.

# REMOVING AN EXISTING DOOR AND PREPARING THE OPENING

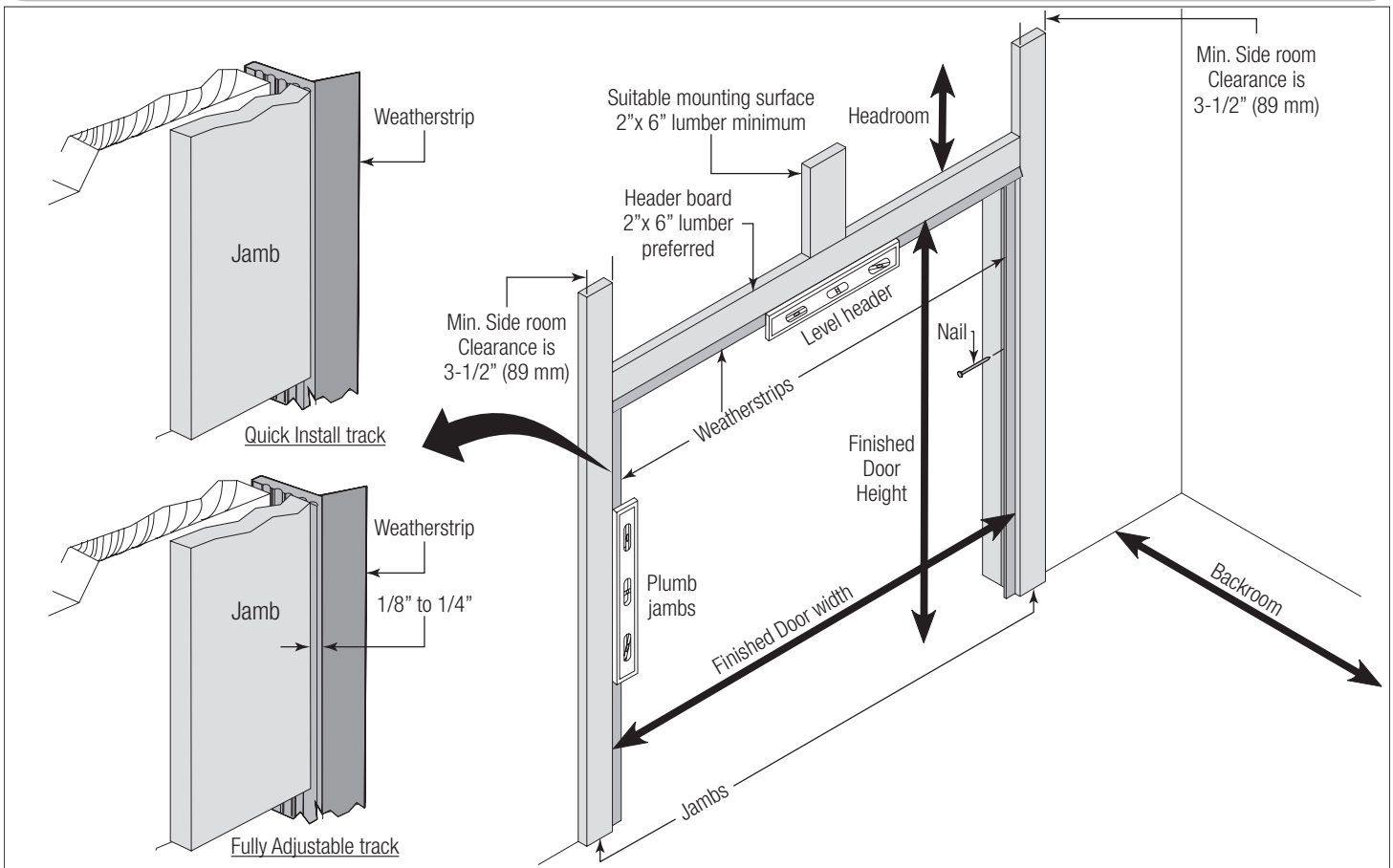


Figure 1

See Figure 1 for the following steps.

To ensure secure mounting of track brackets, side and center brackets, or steel angles to new or retro-fit construction, it is recommended to follow the procedures outlined in DASMA technical data sheets #156, #161 and #164 at [www.dasma.com](http://www.dasma.com).

- The inside perimeter of your garage door opening should be framed with wood jamb and header material.
- The jambs and header must be securely fastened to sound framing members. It is recommended that 2" x 6" lumber be used. The jambs must be plumb and the header level.
- The jambs should extend a minimum of 12" (305 mm) above the top of the opening for TorqueMaster® Plus counterbalance systems.
- For low headroom applications, the jambs should extend to the ceiling height. Minimum side clearance required, from the opening to the wall, is 3-1/2" (89 mm).

## NOTICE

CLOSELY INSPECT JAMBS, HEADER AND MOUNTING SURFACE. ANY WOOD FOUND NOT TO BE SOUND, MUST BE REPLACED.

For TorqueMaster® Plus counterbalance systems, a suitable mounting surface (2" x 6") must be firmly attached to the wall, above the header at the center of the opening.

## NOTICE

DRILL A SUITABLE PILOT HOLE IN THE MOUNTING SURFACE TO AVOID SPLITTING THE LUMBER. DO NOT ATTACH THE MOUNTING SURFACE WITH NAILS.

## DANGER

**AVOID INJURY! A POWERFUL SPRING RELEASING ITS ENERGY SUDDENLY CAN CAUSE SEVERE OR FATAL INJURY. ALWAYS HAVE A TRAINED DOOR SYSTEMS TECHNICIAN, USING PROPER TOOLS AND INSTRUCTIONS, RELEASE THE SPRING TENSION.**

## WARNING

**TO AVOID POSSIBLE INJURY AND TO ENSURE PROPER INSTALLATION, IT'S HIGHLY RECOMMENDED THAT YOU READ AND FULLY UNDERSTAND THE COMPLETE INSTRUCTIONS ON REMOVING AN EXISTING DOOR & PREPARING THE OPENING. THESE ARE AVAILABLE FOR DOWNLOAD AT [WWW.WAYNE-DALTON.COM](http://WWW.WAYNE-DALTON.COM) OR AT YOUR LOCAL WAYNE DALTON SALES CENTER.**

## DANGER

**COUNTERBALANCE SPRING TENSION MUST ALWAYS BE RELEASED BEFORE ANY ATTEMPT IS MADE TO START REMOVING AN EXISTING DOOR. EXTREME CAUTION SHOULD BE USED WHEN UNWINDING SPRINGS AS FAILURE TO FOLLOW THE INSTRUCTIONS OR USE PROPER TOOLS CAN LEAD TO SERIOUS INJURY.**

**Weatherstrips (Not Included):**

Depending on the size of your door, you may have to cut or trim the weatherstrips to properly fit into the header and jambs.

**NOTICE**

IF NAILING PRODUCT AT 40°F, (4.4°C) OR BELOW, PRE-DRILLING IS REQUIRED.

1. For the header, align the weatherstrip with the inside edge of the header and temporarily secure it to the header with equally spaced nails, approximately 12" to 18" (305 mm - 457 mm) apart.

2. Starting at either side of the jamb, fit the weatherstrip up tight against the temporarily attached weatherstrip in the header and flush with the inside edge of the jamb.

3. Temporarily secure the weatherstrip with equally spaced nails. Repeat for other side. This will keep the bottom door section from falling out of the opening during installation.

**Headroom requirement:**

Headroom required is defined as the space needed above the top of the door for tracks, springs, etc. to allow the door to open properly.

If the door is to be motor operated, 2-1/2" (64 mm) of additional headroom is required.

TRACK TYPE	SPACE NEEDED
15" Radius track	13-1/2" (343 mm)
12" Radius track	11" (279 mm)
6" LHR KIT	6" (152 mm)

**Backroom requirement:**

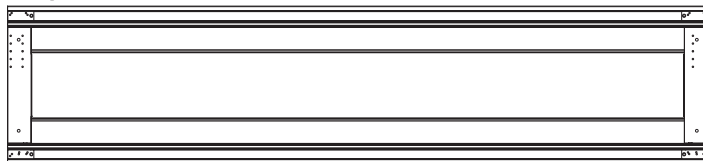
Backroom required is defined as the distance needed from the opening back into the garage to allow the door to open fully.

DOOR HEIGHT	TRACK	MANUAL LIFT	MOTOR OPERATED
6'5" to 7'0"	12", 15" Radius	98" (2489 mm)	125" (3175 mm)
7'1" to 8'0"	12", 15" Radius	110" (2794 mm)	137" (3480 mm)

**Package Contents**

**NOTE:** Depending on the door model, some parts listed may not be required, and will not be supplied.

**Components and Hardware**



(E1. - E4.) Door sections (as required)



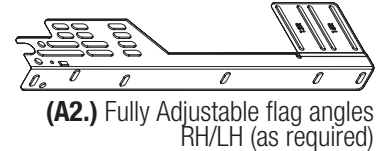
(I2.) TorqueMaster® spring tube



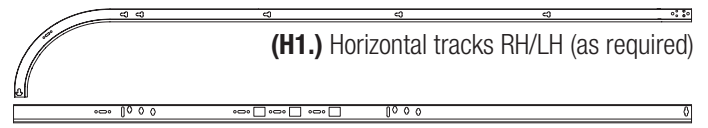
(A1.) Quick Install flag angles RH/LH (as required)



(H2.) Horizontal track angles (as required)



(A2.) Fully Adjustable flag angles RH/LH (as required)



(H1.) Horizontal tracks RH/LH (as required)



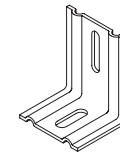
(H3.) Vertical tracks RH/LH (as required)



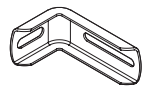
(H4.) Riveted vertical track assemblies RH/LH (as required)



(B1.) Q.I. jamb brackets (as required)



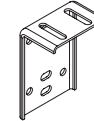
(B2.) F.A. jamb brackets (as required)



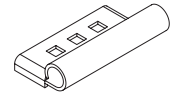
(B3.) Winload jamb brackets (as required)



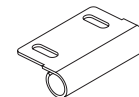
(C1.) Track rollers (as required)



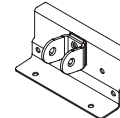
(F1.) Top fixture bases (as required)



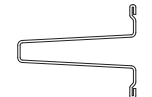
(F2.) Top fixture slides (as required)



(F3.) Top fixture roller slides (as required)



(G1.) Drawbar operator bracket



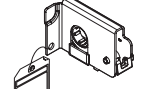
(J1.) Strut (U-shaped) (if included)



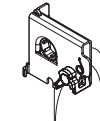
(J2.) Strut (A-symmetrical) (if included)



(I1.) Center bracket bushing assembly



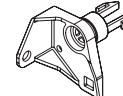
(I3.) Left hand end bracket (as required)



(I4.) Right hand end bracket



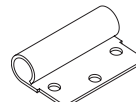
(I5.) Cable drum assemblies RH/LH



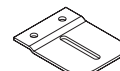
(I6.) Idler bracket (single spring only)



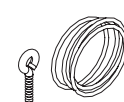
(I7.) Drum wraps RH/LH (optional)



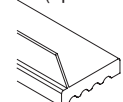
(D5.) Roller slides (as required)



(D6.) Reinforcement brackets (as required)



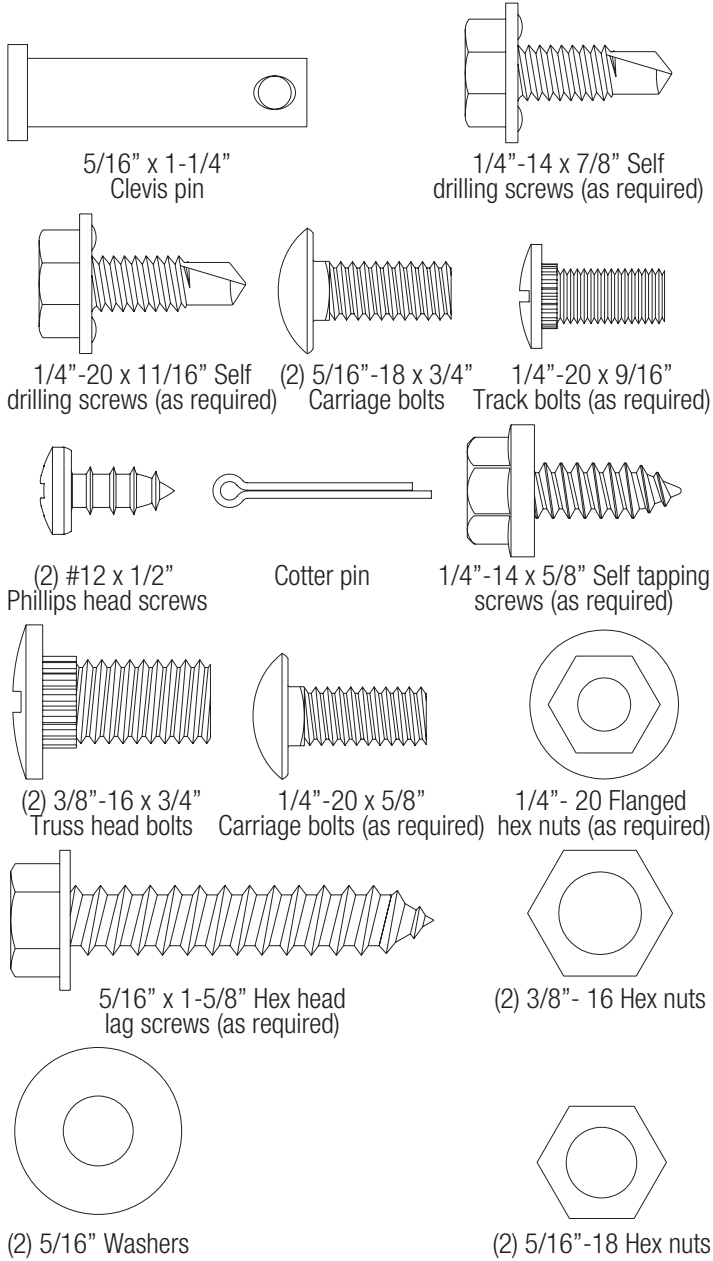
Pull Down rope (if included)



Weather seals & nails (if included)

**Figure 2**

**Fasteners**



**Figure 3**

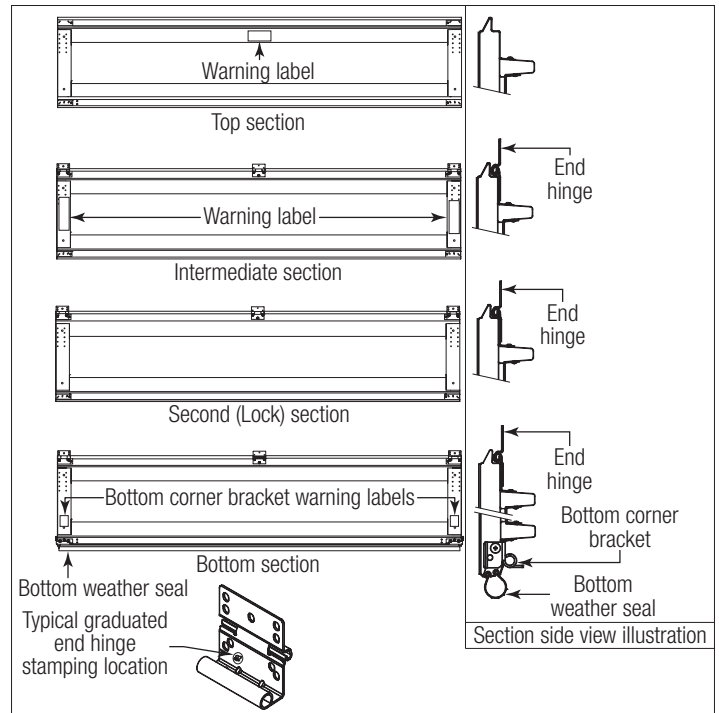
**Door Section Identification**

See **Figure 4** and **Figure 7** for the following steps.

End and center hinges are always pre-attached at the top of each section (except top section). See **Figure 4**.

- The **BOTTOM SECTION (E4.)** can be identified by the factory attached bottom weather seal, the factory attached bottom corner brackets, and by the bottom corner bracket warning labels on each end stile.
- The **SECOND SECTION (E3.)** can be identified having no labels attached to the section.
- The **INTERMEDIATE SECTION(S) (E2.)** can be identified by the warning label attached to either the right or left hand end stile.

The **TOP SECTION (E1.)** can be identified with no pre-installed graduated end or center hinges.



**Figure 4**

## Tools Required

### Personal Protection Equipment (PPE)



Figure 5

### Hand Tools

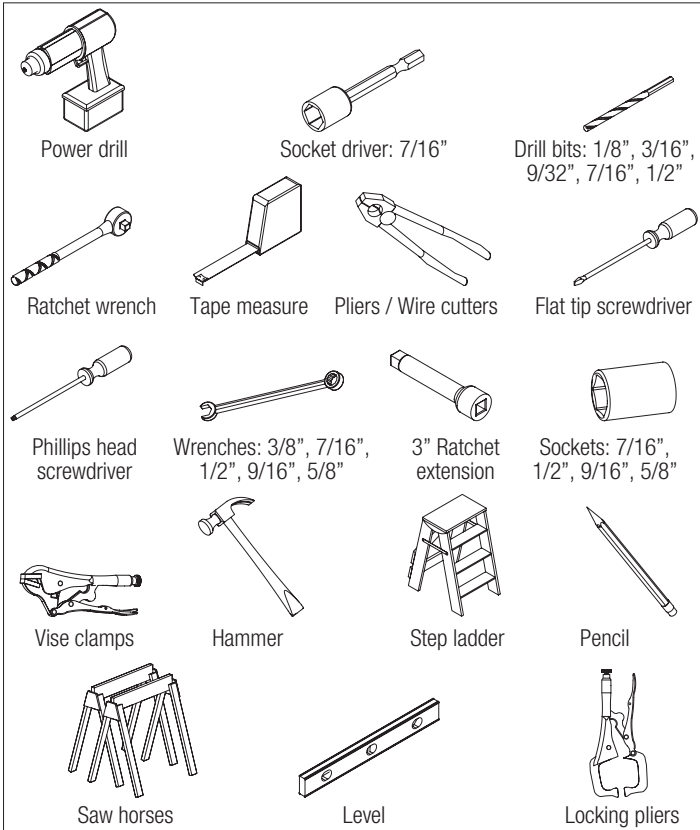
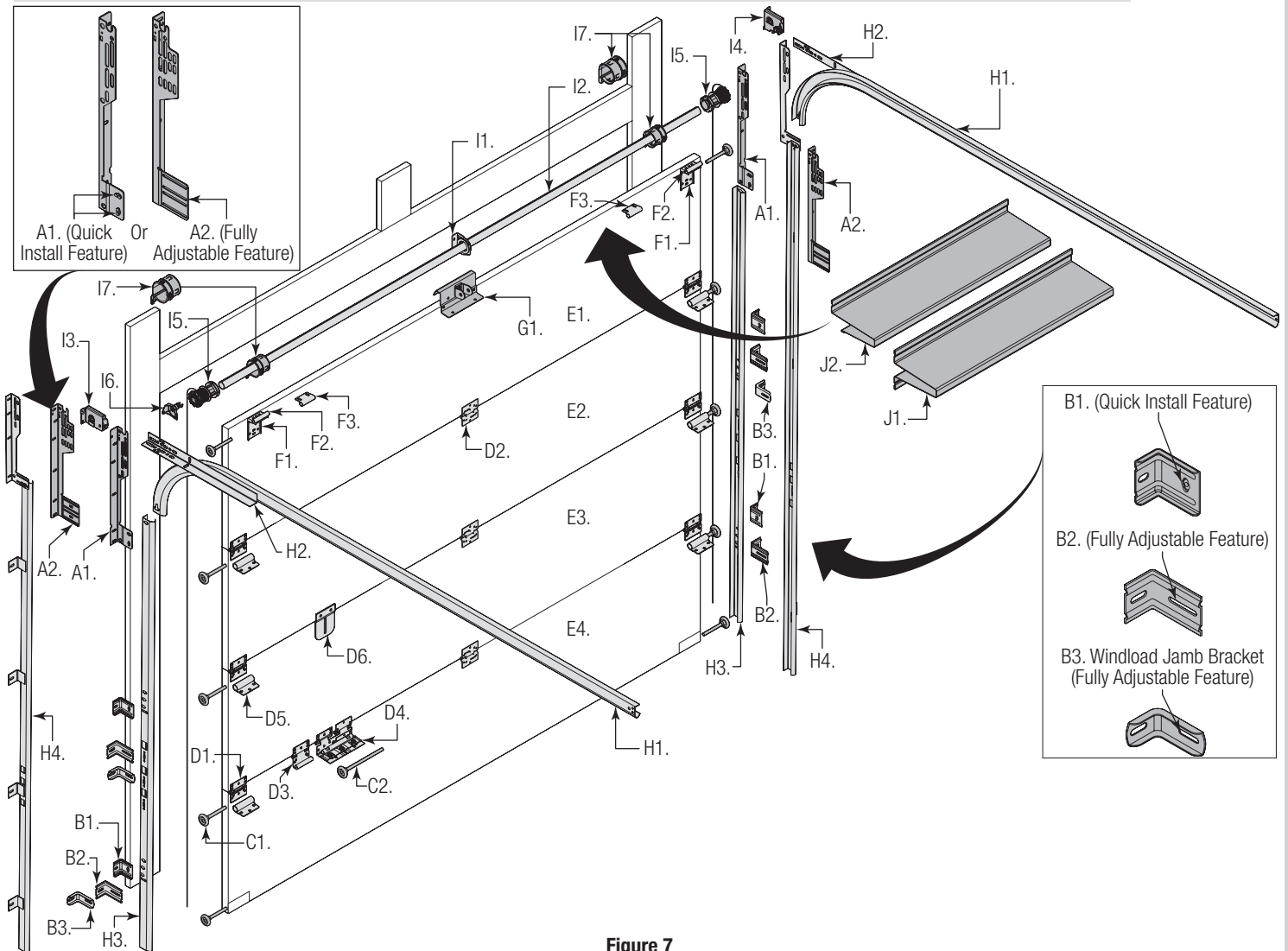


Figure 6



# BREAKDOWN OF PARTS

**NOTE:** The illustrations shown on this page are general representations of the door parts. Each specific door models may have unique variations.



**Figure 7**

**A. FLAG ANGLES (AS REQUIRED):**

- A1. Quick Install (Q.I.) Flag Angles / • A2. Fully Adjustable (F.A.) Flag Angles

**B. JAMB BRACKETS (AS REQUIRED):**

- B1. Quick Install (Q.I.) Jamb Brackets
- B2. Fully Adjustable (F.A.) Jamb Brackets / • B3. Windload Jamb Brackets

**C. TRACK ROLLERS (AS REQUIRED):**

- C1. Short Stem Track Rollers / • C2. Long Stem Track Rollers

**D. GRADUATED END HINGES:**

- D1. End Hinges / • D2. Center Hinges
- D3. Single Graduated End Hinges (S.E.H.), Anti-Pinch
- D4. Double Graduated End Hinges (D.E.H.), Anti-Pinch
- D5. Roller slides / • D6. Reinforcement brackets

**E. STACKED SECTIONS:**

- E1. Top Section / • E2. Intermediate(s) Section
- E3. Lock Section / • E4. Bottom Section

**F. TOP FIXTURES (AS REQUIRED):**

- F1. Top Fixture Bases - (L - Shaped)
- F2. Top Fixture Slides - (L - Shaped)
- F3. Top Fixture Roller Slides

**G. DRAWBAR OPERATOR BRACKET (FOR TROLLEY OPERATED DOORS):**

- G1. Drawbar Operator Bracket

**H. TRACKS (AS REQUIRED):**

- H1. Left and Right Hand Horizontal Track Assemblies
- H2. Left and Right Hand Horizontal Track Angles
- H3. Left and Right Hand Vertical Tracks
- H4. Left and Right Riveted Vertical Track Assemblies

**I. TORQUEMASTER PLUS® SPRING ASSEMBLY:**

- I1. Center Bracket Bushing Assembly
- I2. TorqueMaster® Spring Tube (Single Or Double Springs)
- I3. Left Hand End Bracket (Double Springs Only)
- I4. Right Hand End Bracket
- I5. Left Hand And Right Hand Cable Drum Assemblies
- I6. Idler bracket (Single Spring Only)
- I7. Left Hand And Right Hand Drum Wraps (Optional)

**J. STRUT(S) (AS REQUIRED):**

- J1. Strut (U - shaped)
- J2. Strut (asymmetrical)

# INSTALLATION INSTRUCTIONS

## Door Installation Instructions

**IMPORTANT:** Reference TDS 160 for general garage door terminology at [www.dasma.com](http://www.dasma.com).

### NOTICE

IF THE DOOR WILL BE EXPOSED TO A SIGNIFICANT AMOUNT OF ROAD SALT, PAINT THE BOTTOM GALVANIZED STEEL WEATHER RETAINER TO INHIBIT RUSTING.

## 1 VERTICAL TRACK ASSEMBLY

**IMPORTANT:** If you have Riveted Track, skip this step.

**NOTE:** Refer to Package Contents or Breakdown Of Parts, to determine which type of jamb bracket you received.

**NOTE:** For clarity, all graphics shown are of the left side, right side will be the same.

**IMPORTANT:** The bottom jamb bracket is always the shortest bracket, while the center jamb bracket is the next tallest. If three jamb brackets per side are included with your door, you will have received a top jamb bracket, which is the tallest.

### For Doors With Quick Install Flag Angles:

See Figure 8 and Figure 9 for the following steps.

1a. Locate the flag angle ① and align the lower Quick Install tab to the vertical track Quick Install feature ②. Rotate the flag angle 1/4 turn to lock in place ③.

**IMPORTANT:** Each jamb bracket will have a unique ID that starts with "QJIB" followed by a number. Use this number for the correct jamb bracket outlined in Table 1. Jamb Bracket Schedule. If not installed correctly, the jamb brackets won't fit up against the jamb correctly.

1b. Measure the length of the vertical tracks. Using the jamb bracket schedule in Table 1, determine the placement of the jamb brackets for your door height and track length. See Figure 8.

1c. To install the jamb brackets, align the Quick Install tab to the vertical track Quick Install feature. Rotate the jamb bracket 1/4 turn to lock in place ④.

**IMPORTANT:** Mounting flange is toward the back (flat) leg of the track.

1d. Repeat the same process for right hand side.

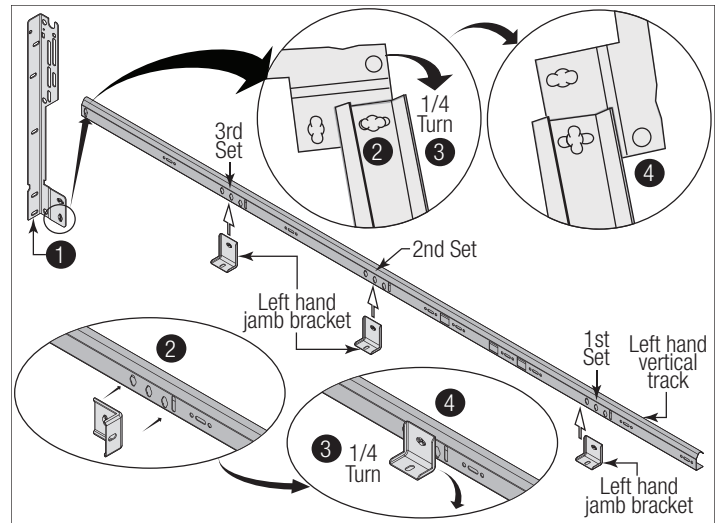


Figure 8, Left Side Shown

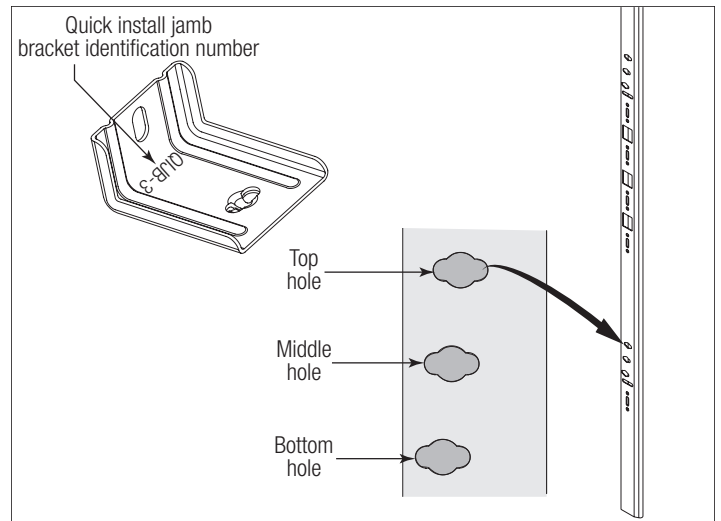


Figure 9, Left Side Shown For All Flag Angles

Table 1, Jamb Bracket Schedule

Door Height	Track Length	1st Set		2nd Set	
		Jamb Bracket	Hole Position	Jamb Bracket	Hole Position
6'0"	64" (1626 mm)	5	Middle	6	Bottom
6'5"	69" (1753 mm)	3	Bottom	6	Middle
6'8"	72" (1829 mm)	3	Bottom	6	Middle
7'0"	76" (1930 mm)	3	Bottom	7	Top
7'3"	79" (2007mm)	3	Bottom	5	Bottom
7'6"	82" (2083 mm)	3	Bottom	5	Bottom
7'9"	85" (2159 mm)	3	Bottom	5	Bottom
8'0"	88" (2235mm)	3	Bottom	7	Top

1	Flag Angle	3	1/4 Turn
2	Quick Install Feature	4	Lock In Place

**For Doors With Fully Adjustable Flag Angle:**

See Figure 10 and Figure 11 for the following steps.

**IMPORTANT:** Each flag angle will have a unique ID "12R or 15R". Measure the radius of your horizontal track to determine if your horizontal track is 12" or 15" Radius.

- 1a. Hand tighten the flag angle ① to the vertical track ② using two 1/4" - 20 x 9/16" track bolts ③ and two 1/4" - 20 flange hex nuts ④.
- 1b. attach the shortest jamb bracket ⑤ by aligning the slot in the shortest jamb bracket with the lower hole of the hole/ slot pattern of the vertical track. Hand tighten the jamb bracket using (1) 1/4" - 20 x 9/16" track bolt and (1) 1/4" - 20 flange hex nut.
- 1c. Place the tallest jamb bracket ⑥ over the lower hole of the hole/ slot pattern that is centered between the bottom jamb bracket and flag angle of the 2nd hole set. Hand tighten the jamb bracket using (1) 1/4" - 20 x 9/16" track bolt and (1) 1/4" - 20 flange hex nut.
- 1d. Repeat this process for the right hand side.

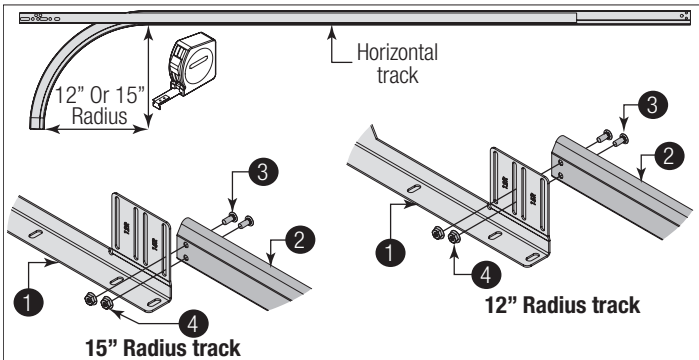


Figure 10, Left Side Shown

**IMPORTANT:** In Figure 10, observe the slot location in reference to the 12" or 15" radius.

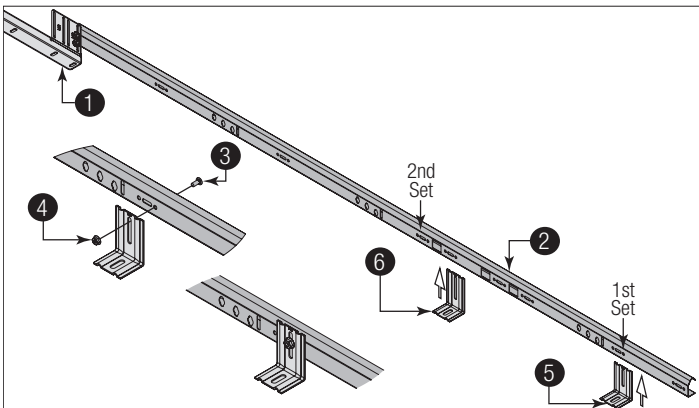


Figure 11, Left Side Shown

1	Flag Angle	4	1/4" - 20 Flange Hex Nut
2	Vertical Track	5	Shortest Jamb Bracket
3	1/4" - 20 x 9/16" Track Bolt	6	Tallest Jamb Bracket

## 2 ATTACHING HORIZONTAL TRACK ANGLES

**NOTE:** For clarity, all graphics shown are of the left side, right side will be the same.

**NOTE:** For larger doors, a full length horizontal track angle may not already be spot welded to the horizontal track. If the horizontal track angle is not welded, the horizontal track angle will be installed, as shown.

See Figure 12 for the following steps.

- 2a. Position the horizontal track angle ①, as shown.
- 2b. Place the Quick Install tabs ② of the horizontal track angle in the key slot ③ of the horizontal track ④. Using a hammer, tap the horizontal track angle towards the curved end of the track until the alignment hole in the track and angle are aligned.
- 2c. Repeat for other side. Set tracks aside.

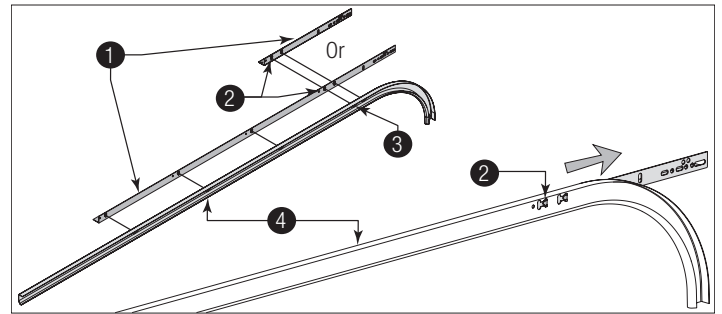


Figure 12, Left Side Shown

1	Horizontal Track Angle	3	Key Slot
2	Quick Install Tabs	4	Horizontal Track

## 3 ATTACHING (WL) JAMB BRACKETS TO VERTICAL TRACK ASSEMBLY

**NOTE:** Windload specification 0356 only uses the Quick Install (Q.I.) jamb bracket schedule.

See Figure 13 for the following steps.

- 3a. Measure the length of the vertical tracks ①.
- 3b. Using the Jamb Bracket Schedule (shown on the Windload Specification Sheet included in the hardware box), determine the placement of the windload jamb brackets ② for your door height.
- 3c. Loosely fasten the jamb bracket to the vertical track using (1) 1/4" - 20 x 9/16" track bolt ③ and (1) 1/4" - 20 flange hex nut ④. Repeat for other windload jamb brackets.
- 3d. Repeat the same process for the other side.

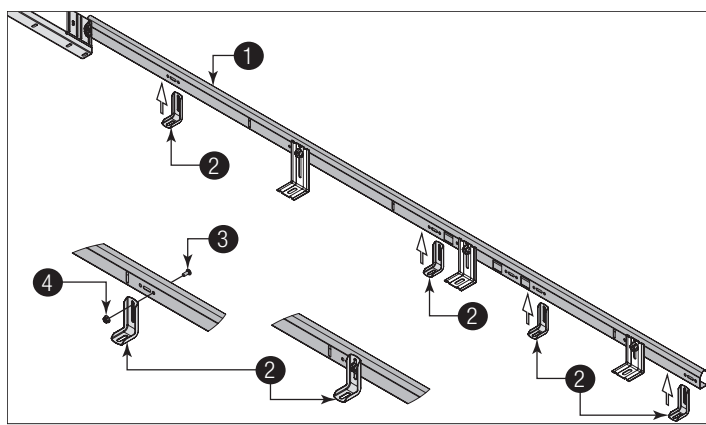


Figure 13, Left Side Shown

1	Vertical Tracks	3	1/4" - 20 x 9/16" Track Bolt
2	Windload Jamb Brackets	4	1/4" - 20 Flange Hex Nut

## 4 ATTACHING (WL) STRUT(S) TO SECTIONS

**NOTE:** Refer to Door Section Identification, located in the pre-installation section of this manual or refer to Package Contents. Refer to the Package Contents and or Breakdown of Parts to determine if your door came with struts.

### NOTICE

LARGER DOORS WILL HAVE COLOR CODED STRUTS. AN 18 GAUGE (.046) STRUT WILL HAVE RED ENDS OR A 20 GAUGE (.034) STRUT WILL HAVE BLUE ENDS.

4a. Reference the Strutting Schedule (shown on the Windload Specification Sheet included in the hardware box), determine the placement of the struts for your door height. Next, using sawhorses, lay the appropriate section on a flat smooth surface.

#### For The Bottom Section:

See Figure 14 and Figure 15 for the following steps.

4b. **If your doors windload option code begins with 06**, place the strut with the notched ends 1 over the bottom rib 2 of the bottom section 3 with the notches facing down. Center the strut left to right on the section surface. **If your doors windload option code begins with 02**, place the strut with the notched ends over the bottom rib of the bottom section with the notches facing down. The ends of the strut will fit in between the bottom corner bracket flanges 4. Center the strut left to right on the section surface.

4c. Fasten the strut at each ends through the top flange using (1) 1/4" - 14 x 7/8" self drilling screw 5. **If your door windload option code begins with 02**, then also fasten the strut at each ends to the bottom section rib using (2) 1/4" - 14 x 5/8" self tapping screws 6, through the two holes in the bottom corner bracket flanges.

4d. Place (2) 1/4" - 14 x 5/8" self tapping screws through each pre-punched hole at each center hinge locations 7.

4e. Place the strut 8 over the top rib of the bottom section 9 with the eight pre-punched holes, facing up 10. Center strut left to right on the section surface. Attach the strut at each ends through the struts bottom flange using (1) 1/4" - 14 x 7/8" self drilling screw 11.

4f. Finish securing the struts to the section using (2) 1/4" - 14 x 5/8" self tapping screws midway between the end of the door and the center hinge locations 12 and (1) 1/4" - 14 x 5/8" self tapping screw approximately eight inches from each end 13.

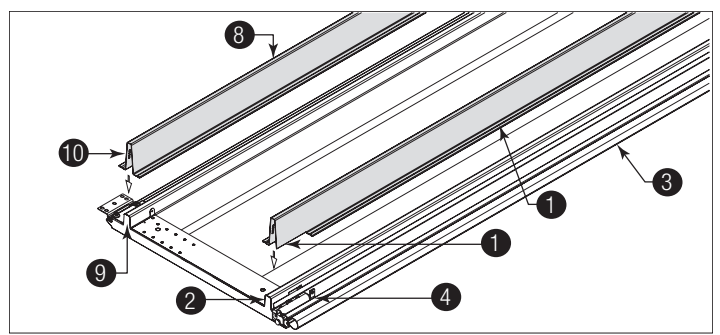


Figure 14, Left Side Shown

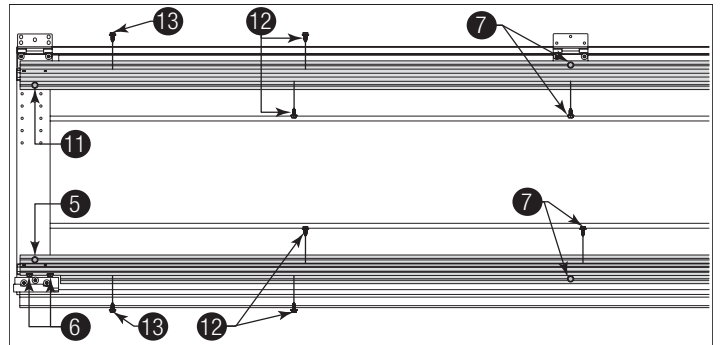


Figure 15

1	Strut With The Notched Ends	8	Strut
2	Bottom Rib	9	Top Rib Of The Bottom Section
3	Bottom Section	10	Eight Pre-Punched Holes, Facing Up
4	Bottom Corner Bracket Flanges	11	1/4" - 14 x 7/8" Self Drilling Screw
5	1/4" - 14 x 7/8" Self Drilling Screw	12	1/4" - 14 x 5/8" Self Tapping Screws
6	1/4" - 14 x 5/8" Self Tapping Screws	13	1/4" - 14 x 5/8" Self Tapping Screw
7	Center Hinge Locations		

#### For The Lock, Intermediate(s) And Top Sections:

See Figure 16 and Figure 17 for the following steps.

**NOTE:** There will be no factory attached end or center hinges at the top of the top sections.

4a. Place the strut 1 over the top rib 2 of each of the remaining sections 3 with the (8) pre-punched holes at the ends facing up 4. Center the strut left to right on the section surface.

4b. Fasten the strut(s) at each end through the top and bottom flanges using (2) 1/4" - 14 x 7/8" self drilling screws 5.

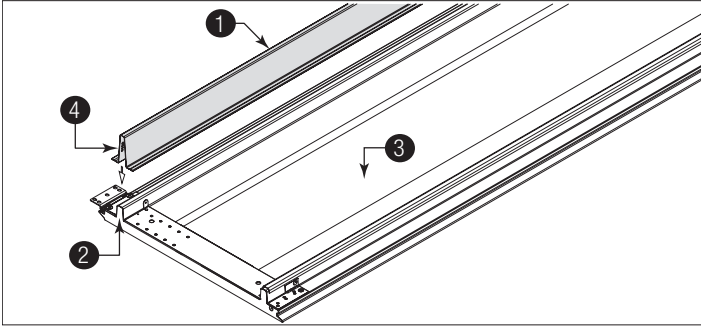
4c. Fasten the strut(s) using (2) 1/4" - 14 x 5/8" self tapping screws 6 through each center hinge(s) locations 7.

4d. Finish securing the strut(s) to the section using (2) 1/4" - 14 x 5/8" self tapping screws midway between the end of the door 8 and the center hinge locations and (1) 1/4" - 14 x 5/8" self tapping screw approximately eight inches from each end 9.

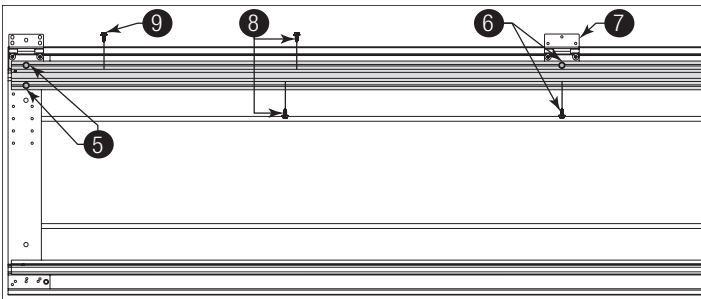
**For The Windload Option Code 0356:**

4a. Place the strut over the top rib of the bottom section. Center the strut left to right on the section surface. Fasten the strut at each end using (2) 1/4" - 14 x 5/8" self tapping screws, through the top and bottom flanges of the strut as well as (2) 1/4" - 14 x 5/8" self tapping screws at all center hinge locations and midway between center hinge locations and the end of the strut.

4b. Attach the strut to the top rib of the intermediate section for a four section high door and the top rib of the intermediate and intermediate II sections for a five section high door, in the same manner the strut was attached to the bottom section.



**Figure 16, Left Side Shown**



**Figure 17**

1	Strut	6	1/4" - 14 x 5/8" Self Tapping Screws
2	Top rib	7	Center Hinges Locations
3	Remaining Sections	8	1/4" - 14 x 5/8" Self Tapping Screws
4	(8) Pre-Punched Holes	9	1/4" - 14 x 5/8" Self Tapping Screw
5	(2) 1/4" - 14 x 7/8" Self Drilling Screws		

**5 ATTACHING REINFORCEMENT BRACKETS TO SECTION**

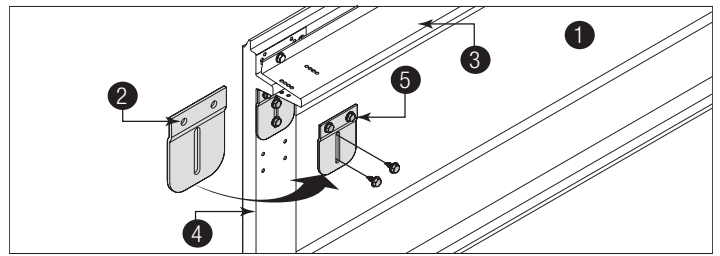
**NOTE:** Refer to your Windload Specification Sheet and install the reinforcement brackets onto your sections accordingly.

See Figure 18 and Figure 19 for the following steps.

5a. Starting on the left hand side of top section 1, position the top holes in the reinforcement bracket 2 over the strut 3 and the slot in the reinforcement bracket over the endcap 4 of the top section.

5b. Secure the reinforcement bracket to the strut and the end cap of the section using (4) 1/4" - 14 x 7/8" self drilling screws 5.

5c. Repeat same process for other side.



**Figure 18, Left Side Shown**

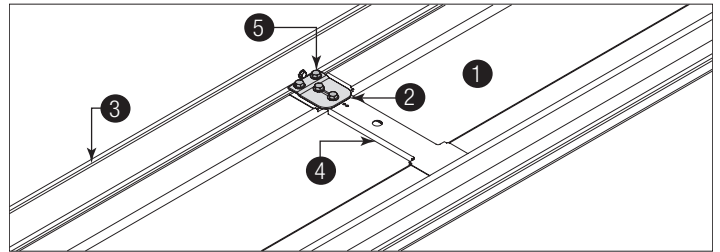
1	Top Section	4	End Cap
2	Reinforcement Bracket	5	(4) 1/4" - 14 x 7/8" Self Drilling Screws
3	Strut		

**If you have more than two reinforcement brackets:**

5d. At the center of the top section 1 position the top holes in the reinforcement bracket 2 over the strut 3 and the slot in the reinforcement bracket over the center stile 4 of the top section.

5e. Fasten the reinforcement bracket to the strut and the center stile of the top section using (4) 1/4" - 14 x 7/8" self drilling screws 5.

5f. Repeat same process for other sections.



**Figure 19**

1	Top Section	4	Center Stile
2	Reinforcement Bracket	5	(4) 1/4" - 14 x 7/8" Self Drilling Screws
3	Strut		

**6 ATTACHING ROLLER SLIDES TO SECTION**

**NOTE:** Refer to door section identification, located in the pre-installation section of this manual or refer to Breakdown of Parts.

See Figure 20 for the following steps.

**NOTE:** Each roller slide 1 has a viewing hole 2. This will allow for correct positioning of the roller slide on the strut 3.

6a. Starting with the bottom section 4, place a roller slide on the top left side of the strut and align with the first set of holes 5 closest to the section. Attach the roller slide to the strut using (2) 1/4" - 14 x 5/8" self tapping screws 6.

6b. Repeat for opposite side.

Next, position and install roller slides onto the sections, as shown:

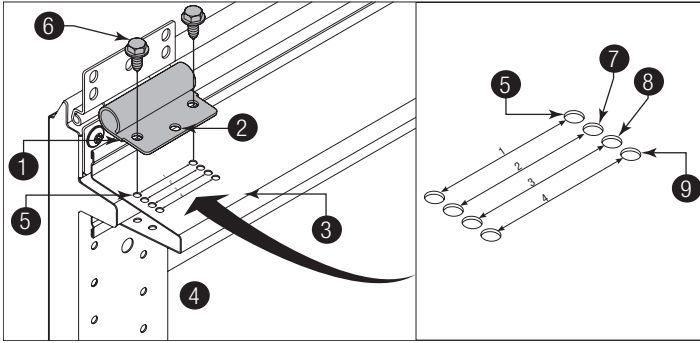
6c. For the Lock Section (Second Section), use the second set of holes 7.

6d. For the Intermediate Section I (Third Section), use the third set of holes 8.

6e. For the Intermediate Section II (Fourth Section (Only a five section high door will have a second intermediate section)), use the fourth set of holes 9.

# NOTICE

**DO NOT** INSTALL ROLLER SLIDES ONTO THE TOP SECTION.



**Figure 20, Left Side Shown**

1	Roller Slide	6	(2) 1/4" - 14 x 5/8" Self Tapping Screw
2	Viewing Hole	7	Second Set Of Holes
3	Bottom Section	8	Third Set Of Holes
4	Strut	9	Fourth Set Of Holes
5	First Set Of Holes		

## 7 ATTACHING COUNTERBALANCE LIFT CABLES

**IMPORTANT:** Refer to door section identification, located in the pre-installation section of this manual or refer to Breakdown of Parts.

### WARNING

**ENSURE TIGHT FIT OF CABLE LOOP OVER MILFORD PIN TO PREVENT COUNTERBALANCE LIFT CABLE FROM COMING OFF THE PIN, WHICH COULD ALLOW THE DOOR TO FALL AND RESULT IN DEATH OR SERIOUS INJURY.**

**IMPORTANT:** Verify bottom weather seal (2) is aligned with bottom section (1). If there is more than 1/2" excess weather seal on either side, trim weather seal even with bottom section.

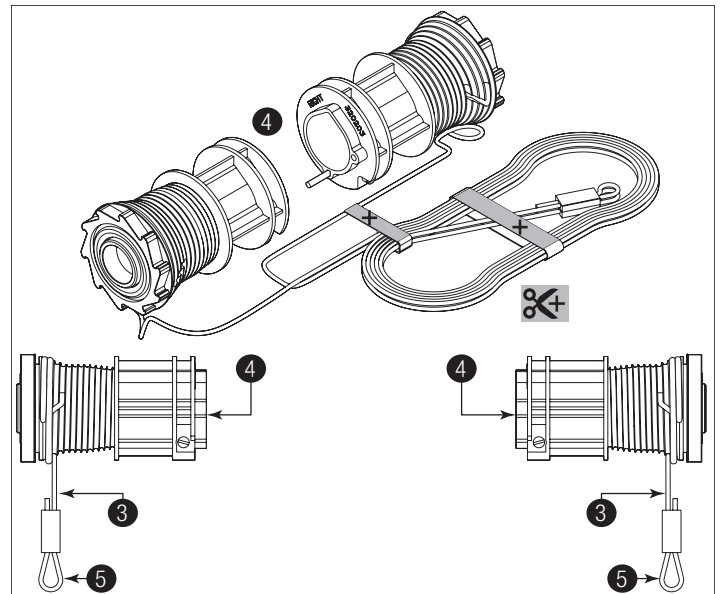
See Figure 21 and Figure 22 for the following steps.

7a. Uncoil the counterbalance lift cables (3) from the cable drum assemblies (4), making sure you place the cable loop (5) on the milford pin (6) of the bottom corner bracket (7). Repeat this process for the opposite side.

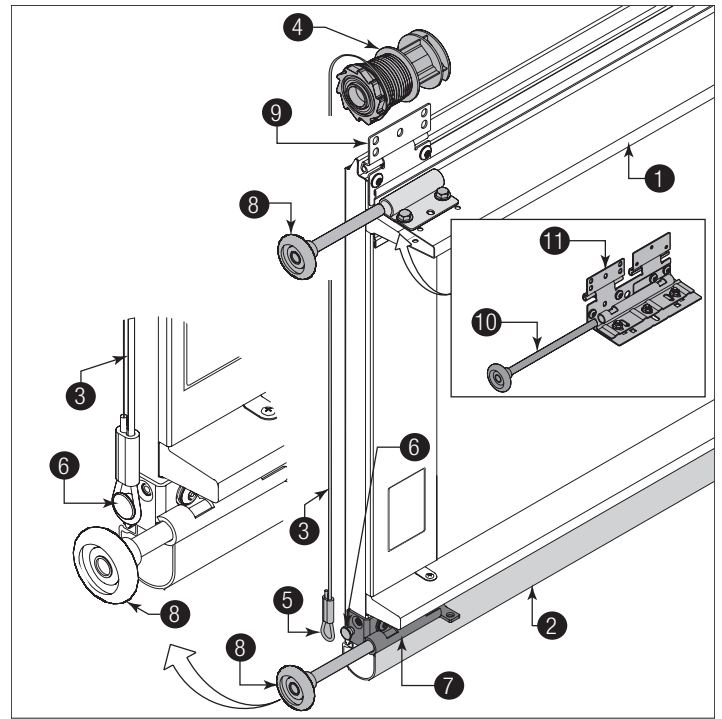
7b. Insert a short stem track roller (8) into the bottom corner bracket and another into the #1 graduated end hinge (9) at the top of the bottom section.

**NOTE:** Larger doors will use long stem track rollers (10) with double graduated end hinges (11).

7c. Repeat this process for the opposite side.



**Figure 21, Left and Right Hand Drums Shown**



**Figure 22, Left Side Shown**

1	Bottom Section	7	Bottom Corner Bracket
2	Bottom Weather Seal	8	Short Stem Track Roller
3	Counterbalance Lift Cable	9	#1 Graduated End Hinge
4	Cable Drum Assembly	10	Long Stem Track Rollers
5	Cable Loop	11	Double Graduated End Hinges
6	Milford Pin		

## 8 POSITIONING BOTTOM SECTION

See Figure 23 for the following steps.

8a. Center the bottom section 1 in the door opening.

8b. Use a level 2 and wood shims 3 (if necessary) to level the bottom section. When the bottom section is leveled, temporarily hold it in place by driving a nail into the jamb and bending it over the edge of the bottom section on both sides.

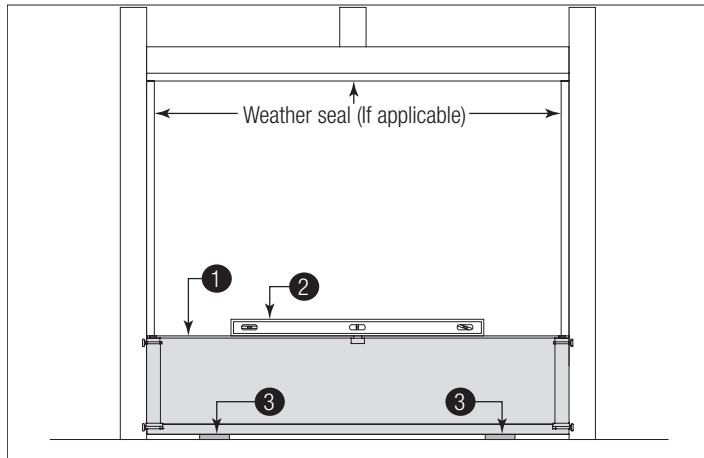


Figure 23

1	Bottom Section	3	Wood Shims
2	Level		

## 9 ATTACHING VERTICAL TRACKS TO JAMBS

**IMPORTANT:** Depending on your door, you may have Quick Install Flag Angles, Fully Adjustable Flag Angles or you may have Riveted Vertical Track Assemblies. Refer to Package Contents / Breakdown of Parts, to determine which Flag Angles / Vertical Track Assemblies you have.

**IMPORTANT:** If this door is to be installed prior to a finishing construction of the building's floor, the vertical tracks and the door bottom section assembly should be installed such that when the floor is constructed, no door or track parts are trapped in the floor construction.

**IMPORTANT:** If the bottom section was leveled with shims, the vertical track on the shimmed side must be raised the same height as the shim. Recheck the top of the vertical tracks to be level from side to side.

**IMPORTANT:** Make sure the counterbalance lift cable is located between the track rollers and the door jamb.

See Figure 24 and Figure 25 for the following steps.

9a. Starting on the left hand side of the bottom section 1, remove the nail. Position the left hand vertical track assembly 2 over the track rollers of the bottom section and install, as shown. Drill 3/16" pilot holes into the door jamb for the lag screws.

**IMPORTANT:** For proper flag angle lag screw location, note the flag angle styles 3.

**For Doors With Quick Install Flag Angle or Fully Adjustable Flag Angles:**

9b. Loosely fasten jamb brackets 4 and flag angle 5 to the jamb using 5/16" x 1-5/8" lag screws 6.

9c. Tighten lag screws, securing the bottom jamb bracket to jamb, maintain 3/8" to 5/8" spacing 7, between the bottom section and vertical track.

9d. Hang counterbalance lift cable over flag angle. Repeat same process for other side.

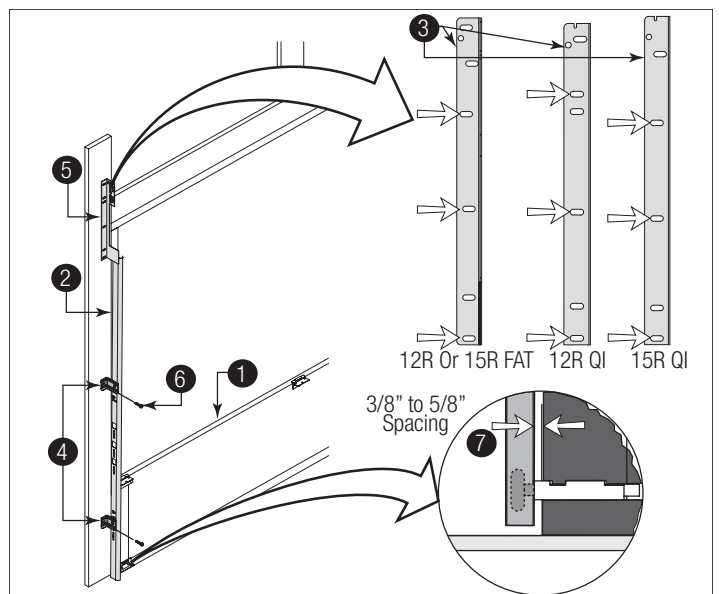


Figure 24, Left Side Shown

**For Doors With Riveted Vertical Track Assemblies:**

9b. Loosely fasten jamb brackets 4 and flag angle 5 to the jamb using 5/16" x 1-5/8" lag screws 6.

9c. Tighten lag screws, securing the bottom jamb bracket to jamb, maintain 3/8" to 5/8" spacing 7 as shown, between the bottom section and vertical track.

9c. Hang counterbalance lift cable over flag angle. Repeat same process for other side.

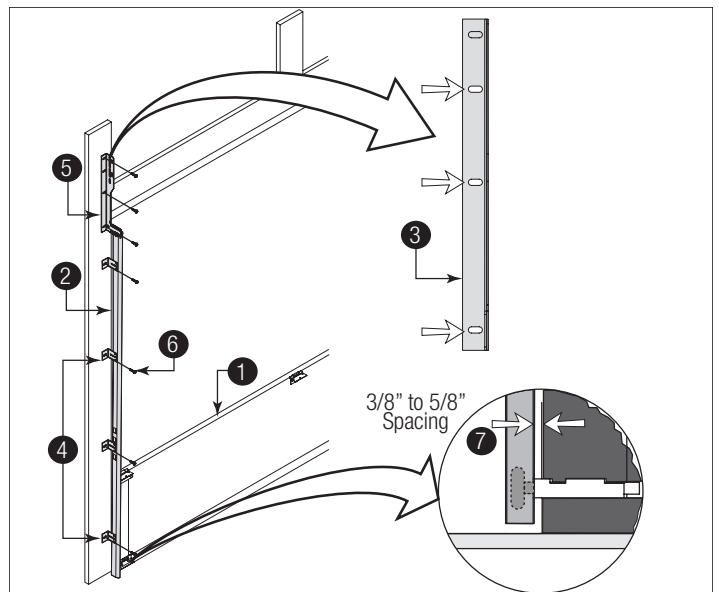


Figure 25, Left Side Shown

1	Bottom Section	5	Flag Angle
2	Vertical Track Assembly	6	5/16" x 1-5/8" Lag Screws
3	Flag Angle Styles	7	3/8" to 5/8" Spacing
4	Jamb Brackets		

## 10 STACKING SECTIONS

**NOTE:** The sections can be identified by the roller slides that were previously installed, reference Step Attaching Roller Slides To Section. The smallest roller slide attached to the strut of the section should be stacked on top of the bottom section, with each roller slide increasing as the sections are stacked. Refer to door section identification, located in the pre-installation section of this manual or refer to Breakdown of Parts.

### NOTICE

BEFORE STACKING SECTIONS, MAKE SURE GRADUATED END AND CENTER HINGES ARE FLIPPED DOWN ① TO AVOID POSSIBLE DAMAGE TO YOUR DOOR, WHEN STACKING ANOTHER SECTION ON TOP.

### NOTICE

LARGER DOORS WILL USE LONG STEM TRACK ROLLERS WITH DOUBLE GRADUATED END HINGES.

See Figure 26 and Figure 27 for the following steps.

10a. Install track rollers into graduated end hinges of remaining sections.

10b. With a helper, lift second section ② and guide the track rollers into the vertical tracks ③. Lower section until it is seated against bottom section.

10c. Flip hinges up ④. Fasten center hinge(s) ⑤ with 1/4" - 14 x 5/8" self tapping screws ⑥. Repeat for end hinges ⑦ ⑧ ⑨ ⑩ and center hinge(s).

**IMPORTANT:** To prevent center hinge leaf from rotating, secure the top middle hole of the center hinge leaf with one 1/4" - 14 x 5/8" self-tapping screw then secure the other two holes.

**IMPORTANT:** Larger doors with double graduated end hinges, fasten both hinges to connect the sections using 1/4" - 14 x 5/8" self-tapping screws.

10d. Repeat same process for the other sections, except top section.

**IMPORTANT:** Push and hold the hinge leaf securely against the sections while securing with 1/4" - 14 x 5/8" self tapping screws. Ensure there is no gap between the hinge leaves and the sections.

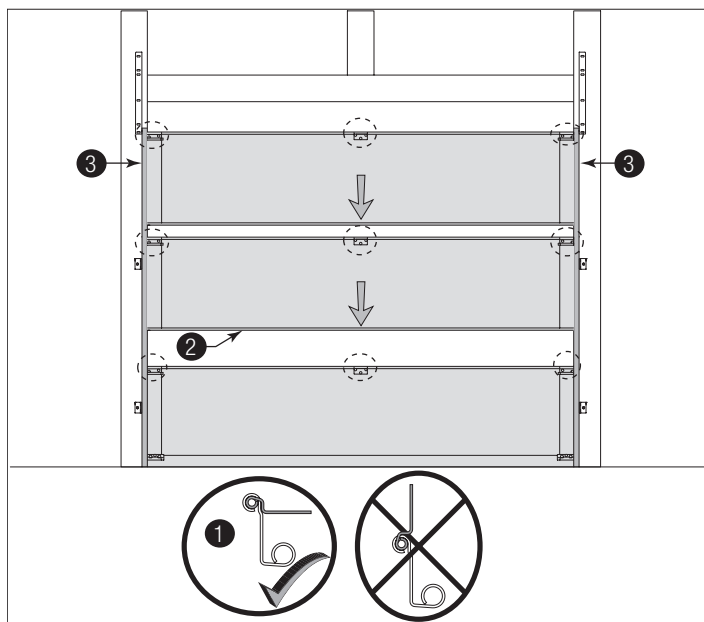


Figure 26, Stacking Sections

1	Hinge Flipped Down Position	3	Vertical Tracks
---	-----------------------------	---	-----------------

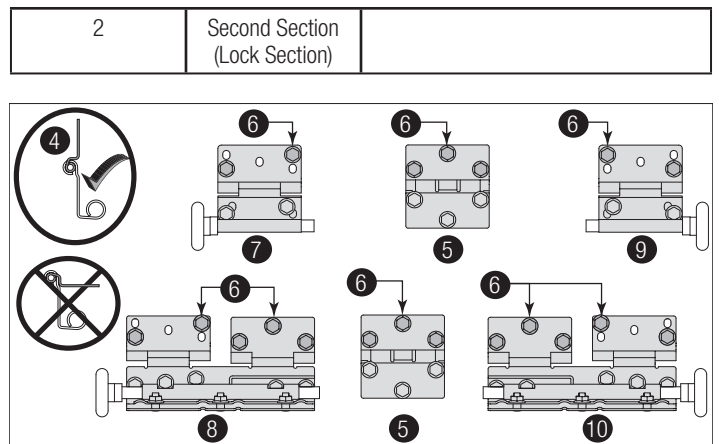


Figure 27, Hinges after Stacking Sections

4	Hinge Flipped Up Position	8	Left Double Graduated End Hinge with Long Stem Track Roller
5	Center Hinge(s)	9	Right Graduated End Hinge with Short Stem Track Roller
6	1/4" - 14 x 5/8" Self Tapping Screw Locations	10	Right Double Graduated End Hinge with Long Stem Track Roller
7	Left Graduated End Hinge with Short Stem Track Roller		

## 11 ATTACHING TOP FIXTURES TO TOP SECTION

**NOTE:** Depending on your door, you may have Top Fixture Bases and Top Fixture Slides or you may have Top Fixture Roller Slides. Refer to Package Contents / Breakdown of Parts, to determine which Top Fixtures you have.

See Figure 28 and Figure 29 for the following steps.

If You Have Top Fixture Bases And Top Fixture Slides:

11a. Align the top holes in the top fixture base ① with the second set of holes in the end cap ② of the top section.

11b. Fasten to section using four 1/4" - 14 x 5/8" self tapping screws ③.

11c. Secure the top fixture slide ④ to the fixture base loosely using two 1/4" - 14 x 5/8" carriage bolts ⑤ and two 1/4" - 20 flange hex nuts ⑥. Insert short stem track roller ⑦ into top fixture slide.

11d. Repeat the process for the opposite side.

**NOTE:** The top fixture slide will be tightened and adjusted later, in "Adjusting Top Fixtures" step.

**IMPORTANT:** Ensure the top fixture slide is able to slide along the top fixture base. If needed, loosen the 1/4" - 20 flange hex nuts.



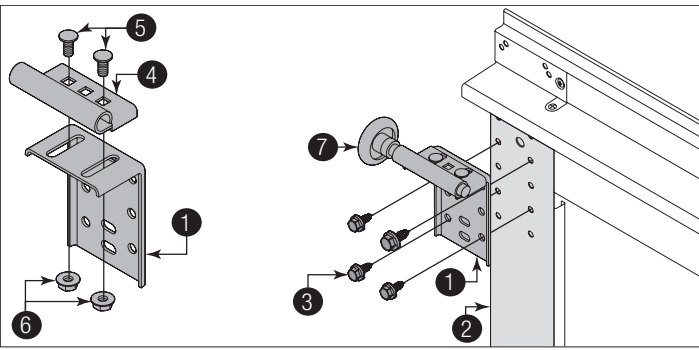


Figure 28, Left Side Shown

1	Top Fixture Base	5	1/4" - 14 x 5/8" Carriage Bolt (Qty 2)
2	End Cap	6	1/4" - 20 Flange Hex Nut (Qty 2)
3	1/4" - 14 x 5/8" Self Tapping Screw (Qty 8)	7	Short Stem Track Roller
4	Top Fixture Slide		

**If You Have Top Fixture Roller Slides:**

11a. Starting on the left hand side of the top section, align the slots in the top fixture roller slide 1 with the set of holes on the bottom of the strut 2.

11b. Loosely fasten top fixture roller slide to the strut using (2) 1/4" - 14 x 5/8" self tapping screws 3.

11c. Insert short stem track roller into top fixture roller slide 4.

11d. Repeat the same process for the right hand side.

**NOTE:** The top fixture roller slide will be tightened and adjusted later, in step, Adjusting Top Fixture.

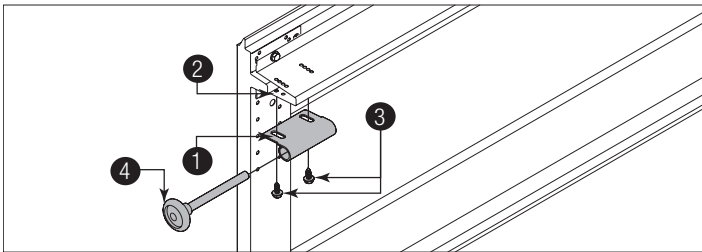


Figure 29, Left Side Shown

1	Slots In The Top Fixture Roller Slide	3	1/4" - 14 x 5/8" Self Tapping Screw (Qty 4)
2	Bottom Of The Strut	4	Short Stem Track Roller

**12 ATTACHING DRAWBAR OPERATOR BRACKET**

**IMPORTANT:** If installing a drawbar operator (motor operated), the drawbar operator bracket must be mounted and secured prior to installing top section.

**NOTICE**

TO AVOID POSSIBLE DAMAGE TO YOUR DOOR, THE TOP SECTION SHOULD BE REINFORCED WITH A STRUT 4.

**NOTICE**

WHEN CONNECTING A DRAWBAR OPERATOR TYPE GARAGE DOOR OPENER TO THIS DOOR, A WAYNE DALTON DRAWBAR OPERATOR BRACKET MUST BE SECURELY ATTACHED TO THE TOP SECTION OF THE DOOR, ALONG WITH ANY STRUT PROVIDED WITH THE DOOR.

**IMPORTANT:** When attaching drawbar operator bracket to top section with strut 4, apply additional pressure to thread into the strut.

See Figure 30 and Figure 31 for the following steps.

12a. Prior to installing the top section 1, locate the center 2 of the top section and seat the drawbar operator bracket 6 on top of the top section.

For retrofit applications, the drawbar operator bracket must be aligned with an existing drawbar operator.

12b. Install two #12 x 1/2" phillips head screws 8 on the back side of drawbar operator bracket 5. Clamp drawbar operator bracket to strut with vise clamps.

12c. Attach six 1/4" - 14 x 5/8" self-tapping screws 7 to the drawbar operator bracket. Remove vise clamps.

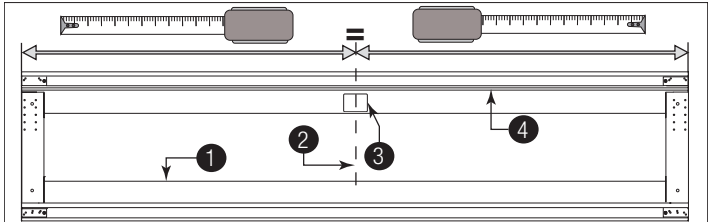


Figure 30

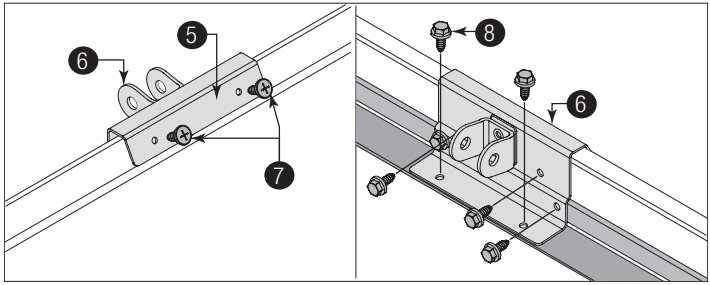


Figure 31, Top Section and Drawbar Operator Bracket

1	Top Section	5	Backside View of Drawbar Operator Bracket
2	Center Line	6	Drawbar Operator Bracket
3	Warning Label	7	#12 x 1/2" Phillips Head Screws (Qty 2)
4	Strut	8	1/4" - 14 x 5/8" Self-Tapping Screws (Qty 6)

**13 STACKING TOP SECTION**

**IMPORTANT:** The dimension between the flag angles 1 must be door width plus 3-3/8" - 3-1/2" (86 mm- 89 mm).

See Figure 32 for the following steps.

13a. Place the top section 2 in the opening, on top of the section stacked.

13b. Install a nail 3 to temporarily hold the top section.

13c. Flip up the hinge leaves, hold tight against section, and fasten center hinges first and end hinges last (see Stacking Sections).

13d. Position flag angle ④ between 1-11/16" to 1-3/4" (43 mm - 44 mm) from the edge of the door ⑤, then tighten the bottom lag screw. Flag angles must be parallel to the door sections. Repeat for other side.

13e. Complete the vertical track ⑦ installation.

**If you have quick install track:** Secure the jamb brackets and tightening the other lag screws. Repeat for other side.

**If you have fully adjustable track or riveted track:** Secure the jamb bracket(s) and tightening the other lag screws. Push the vertical track against the track rollers so that the track rollers are touching the deepest part of the curved side of the track; tighten all the track bolts and nuts. Repeat for other side.

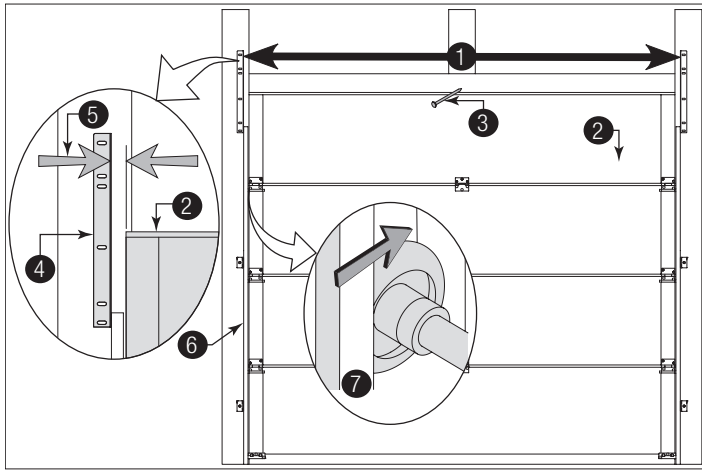


Figure 32

1	Clearance Measurement Between Both Flag Angles	5	Clearance Measurement Between Flag Angle and Door Edge
2	Top Section	6	Vertical Track
3	Nail	7	Vertical Track Against Track Rollers
4	Flag Angle		

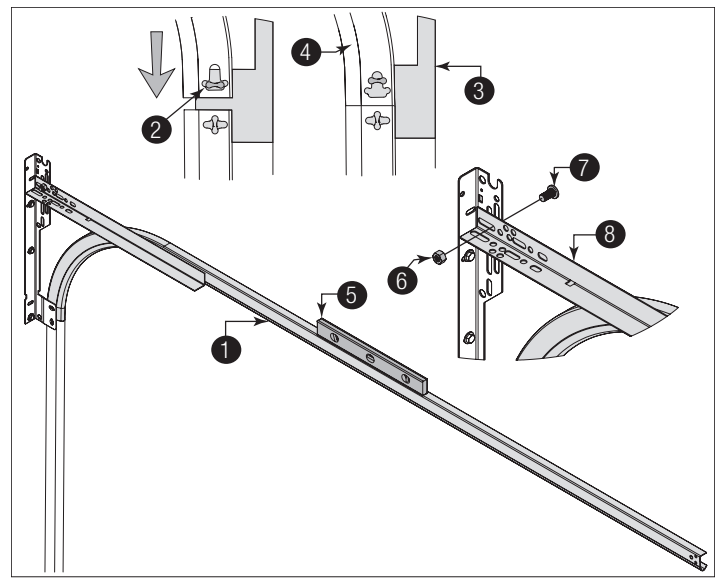


Figure 33, Left Side Shown

1	Horizontal Track	5	Level
2	Quick Install Tab	6	3/8" - 16 Hex Nut
3	Flag Angle	7	3/8" - 16 x 3/4" Truss-Head Bolt
4	Quick Install Tab in Locked Position	8	Horizontal Track Angle

#### For Other Flag Angles:

See Figure 34 for the following steps.

14c. Place the curved end of the horizontal track ① over the top track roller of the top section.

14d. Attach the horizontal track to the flag angle ② with two 1/4" - 20 x 9/16" track bolts ③ and two 1/4" - 20 flange hex nuts ④.

14e. Level ⑦ the horizontal track assembly and bolt the horizontal track angle ⑧ to the first encountered slot in the flag angle using one 3/8" - 16 x 3/4" truss-head bolt ⑤ and one 3/8" - 16 hex nut ⑥.

14f. Repeat for right side.

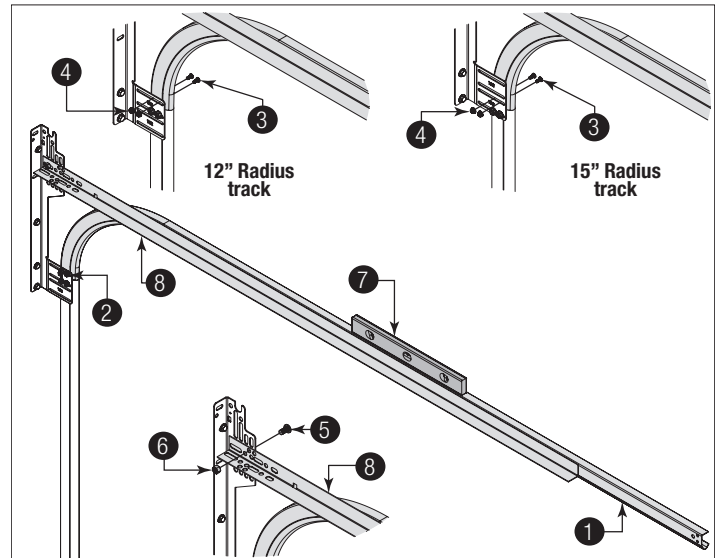


Figure 34, Left Side Shown

## 14 ATTACHING HORIZONTAL TRACKS

**NOTE:** Depending on your door, you may have Quick Install Flag Angles, Fully Adjustable Flag Angles or you may have Riveted Vertical Track Assemblies. Refer to Package Contents / Breakdown of Parts, to determine which Flag Angles / Vertical Track Assemblies you have.

### ⚠ WARNING

**DO NOT RAISE DOOR UNTIL HORIZONTAL TRACKS ARE SECURED AT REAR, AS OUTLINED IN STEP 24, ATTACHING REAR BACK HANGS. THE REAR BACK HANGS OR DOOR COULD FALL FROM OVERHEAD POSITION CAUSING DEATH OR SERIOUS INJURY.**

**For Quick Install Flag Angles:**

See Figure 33 for the following steps.

14a. Place the curved end of the horizontal track ① over the top track roller of the top section.

14b. Align key slot of the horizontal track with the Quick Install tab ② of the flag angle ③. Push curved portion of horizontal track down to lock tab in place ④.

1	Horizontal Track	5	3/8" - 16 x 3/4" Truss-Head Bolt
2	Flag Angle Upper Slot	6	3/8" - 16 Hex Nut
3	1/4" - 20 x 9/16" Track Bolts	7	Level
4	1/4" - 20 Flange Hex Nuts	8	Horizontal Track Angle

14g. When complete, remove the nail that was holding the top section in position.

## NOTICE

FAILURE TO REMOVE NAIL BEFORE ATTEMPTING TO RAISE DOOR COULD CAUSE PERMANENT DAMAGE TO TOP SECTION.

## 15 ADJUSTING TOP FIXTURES

**NOTE:** Depending on your door, you may have Top Fixture Bases and Top Fixture Slides or you may have Top fixture roller slides. Refer to Package Contents / Breakdown of Parts, to determine which Top Fixtures you have.

**If You Have Top Fixture Bases And Top Fixture Slides:**

**See Figure 35 for the following steps.**

15a. Vertically align the top section ① of the door with the lower sections. Position the top fixture slide ② with a track roller ⑤ against the horizontal track ③.

15b. Maintaining the position of the slide, tighten the two 1/4" - 20 flange hex nuts ④ to secure the top fixture slide to the top fixture base ⑥.

15c. Repeat for the right side.

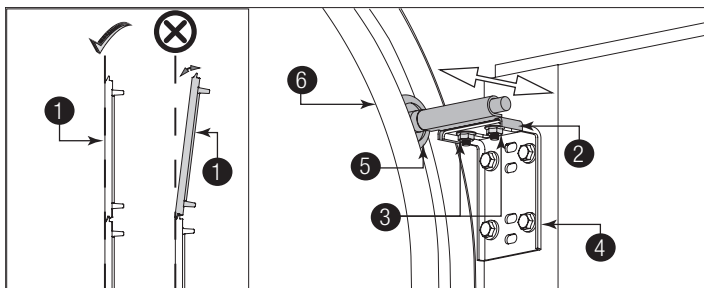


Figure 35, Left Side Shown

1	Door Top Section	4	Top Fixture Base
2	Top Fixture Slide	5	Track Roller
3	1/4" - 20 Flange Hex Nuts	6	Horizontal Track

**If You Have Top Fixture Roller Slides:**

**See Figure 36 for the following steps.**

15a. Vertically align the top section ① of the door with the lower sections. Position the top fixture roller slide ②, out against the horizontal track ③.

15b. Maintaining the top fixture roller slide position, tighten the (2) 1/4" - 14 x 5/8" self tapping screws ④ to secure the top fixture roller slide to the strut ⑤ of the top section.

15c. Repeat for right side.

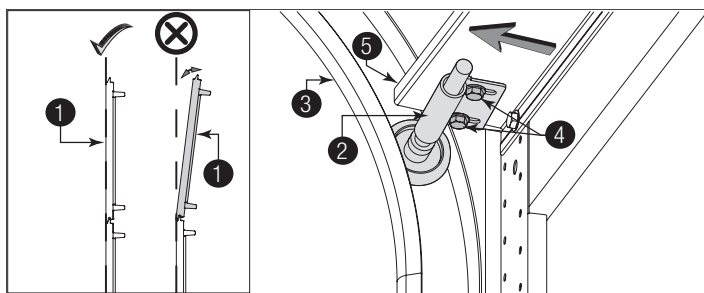


Figure 36, Left Side Shown

1	Top Section	4	(2) 1/4" - 14 x 5/8" Self Tapping Screws
2	Top Fixture Roller Slide	5	Strut
3	Horizontal Track		

## Counterbalance Installation Instructions

### 16 PREPARING THE SPRING TUBE

**NOTE:** Springs come lubricated and pre-assembled inside the spring tube.

**See Figure 37 for the following steps.**

16a. Place the spring tube ① on the floor inside the garage in front of the door, with the label ② at the left. Remove the shipping boots ③ from the spring tube.

16b. Slide the center-bracket bushing ④ toward the center of the spring tube from the right side, as shown.

**IMPORTANT:** Ensure the center-bracket bushing is oriented to allow the cam to fit smoothly ⑤.

**NOTE:** Refer to Package Contents / Breakdown of Parts, to determine if you have drum wraps (optional).

16c. Drum wraps (optional) are marked right ⑥ and left hand ⑦. Beginning with the left hand side, slide the left hand drum wrap onto the TorqueMaster® spring tube. Repeat for the right hand side. The drum wrap will be secured later, in Step, Securing Drum Wraps.

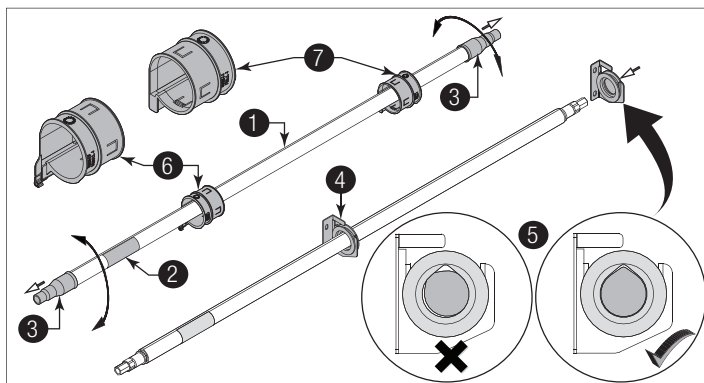


Figure 37

1	Spring Tube	5	Bushing Orientation
2	Label	6	Left Hand Drum wrap
3	Shipping Boots	7	Right Hand Drum wrap
4	Center Bracket Bushing		

# 17 INSTALLING CABLE DRUM ASSEMBLIES

## For Double Spring Applications:

See Figure 38 and Figure 39 for the following steps.

17a. Shake the spring tube ① gently to extend the winding shafts ⑤ out about 5" on each side. **For single-spring applications ②**, there is no left hand spring in the spring tube. And therefore no left hand winding shaft.

**NOTE:** Temporarily support the center of the spring tube until the center bracket ③ is installed in Step Attaching Center Bracket to Wall.

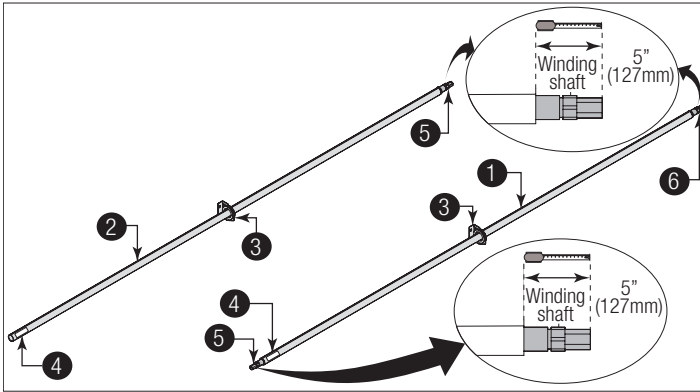


Figure 38

1	Spring Tube	4	Label
2	Spring Tube, Single Spring	5	Winding Shaft
3	Center Bracket		

17b. With assistance, place the spring tube ① or ② on top of the flag angles ⑥.

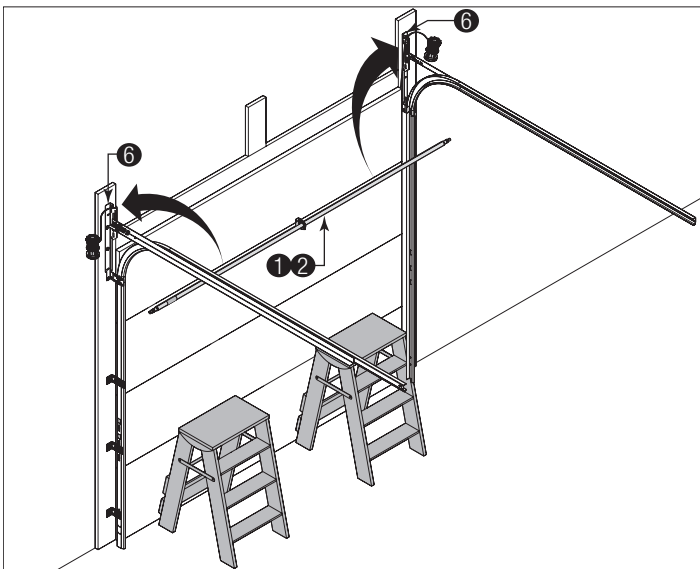


Figure 39

1	Spring Tube	6	Flag Angle
2	Spring Tube, Single Spring		

**NOTE:** Cable drums are marked right and left side. Cable drums and spring tube assembly are cam shaped to fit together only one way.

See Figure 40 and Figure 41 for the following steps.

17c. On the right side, pre-wrap the cable drum ① with the counterbalance lift

cable ② with 1/2 wrap. Keep cable between drum and wall. Position the spring tube ③ so the cam peak is pointing straight up ④.

17d. Slide the cable drum over the winding shaft ⑤ until it seats against the spring tube assembly. Ensure winding shaft extends past the cable drum far enough to expose the splines ⑥ and the grooves ⑦. Align the winding shaft grooves with the round notch in the flag angle ⑧.

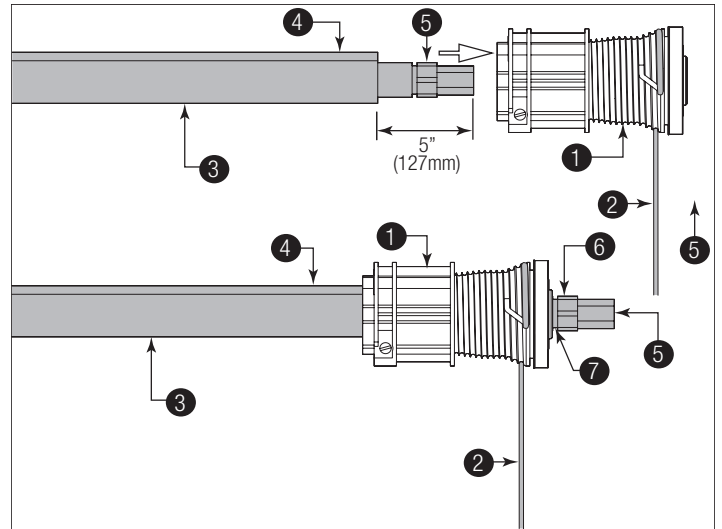


Figure 40, Right Side Shown

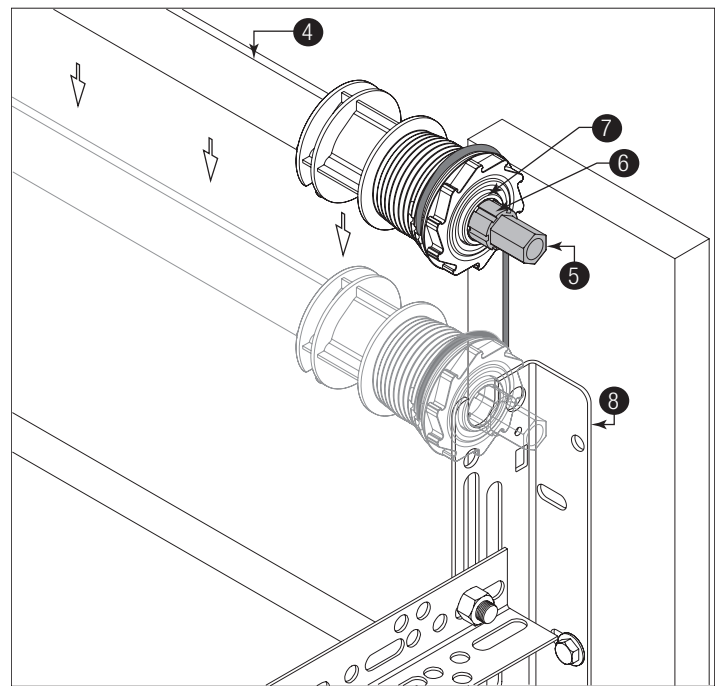


Figure 41, Right Side Shown

1	Cable Drum	5	Winding Shaft
2	Counterbalance Lift Cable	6	Splines
3	Spring Tube Assembly	7	Grooves
4	Cam Peak	8	Flag Angle

17e. Repeat for left side.

**For single spring applications:**

See Figure 42 and Figure 43 for the following steps.

17f. Insert the idler bracket (1) into the left hand cable drum (3). Lightly press until two distinct clicks are heard, or the idler bracket is inserted all the way.

**IMPORTANT:** Ensure the idler bracket snap tabs (2) are fully inserted into the cable drum.

**NOTICE**

THE IDLER BRACKET IS DESIGNED FOR PERMANENT ASSEMBLY. DO NOT ATTEMPT TO REMOVE IDLER BRACKET ONCE INSERTED INTO THE CABLE DRUM. THE IDLER BRACKET MUST BE REPLACED, IF THE SNAP TABS ON THE IDLER BRACKET BREAK.

**IMPORTANT:** The idler bracket must extend past the cable drum far enough to expose the idler bracket groove (6).

17g. Align the idler bracket groove with the round notch (4) in the flag angle.

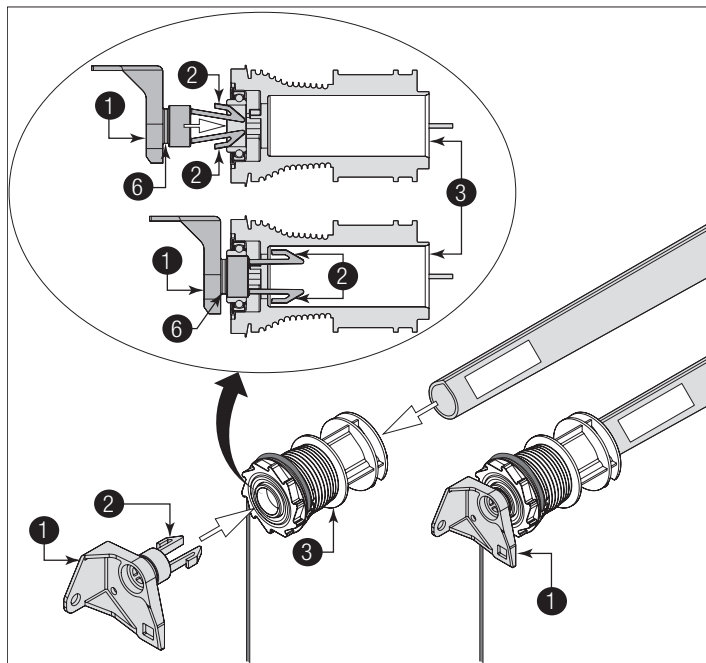


Figure 42

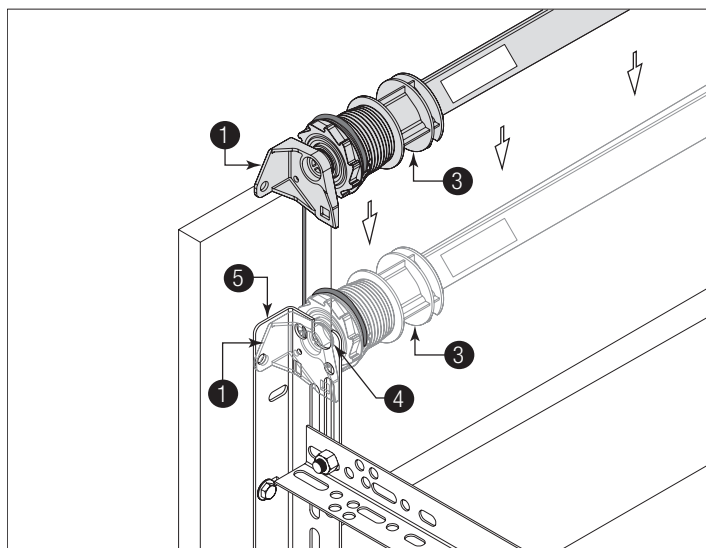


Figure 43

1	Idler Bracket	4	Round Notch
2	Idler Bracket Snap Tabs	5	Flag Angle
3	Cable Drum	6	Idler Bracket Groove

**18 ATTACHING END BRACKETS TO FLAG ANGLES**

**IMPORTANT:** Warning tags must be securely attached to the end bracket(s).

**NOTICE**

FOR SINGLE-SPRING DOORS, ENSURE THE CABLE DRUM BEARING (2) IS ALL THE WAY TO THE LEFT AND IN CONTACT WITH THE FLAG ANGLE. IF THE CABLE DRUM IS PULLED AWAY FROM THE FLAG ANGLE, THE IDLER BRACKET CAN RUB AGAINST THE CABLE DRUM, CAUSING NOISE.

**IMPORTANT:** Drill 3/16" pilot holes into header for the lag screws.

**For double spring applications:**

See Figure 44 and Figure 45 for the following steps.

18a. Slide the right side end bracket (1) onto the winding shaft (3) so that the splines in the ratchet wheel (4) fit into the winding shaft grooves (5).

18b. Attach the end bracket to the flag angle (6) using one 5/16" - 18 x 3/4" carriage bolt (7), one 5/16" washer (9) and one 5/16" - 18 hex nut (8). Then secure the end bracket to the jamb using one 5/16" x 1-5/8" lag screw (10).

**NOTE:** If ratchet wheel falls out of end bracket, refer to Figure 37 for proper insertion orientation.

18c. Repeat process for left side end bracket.

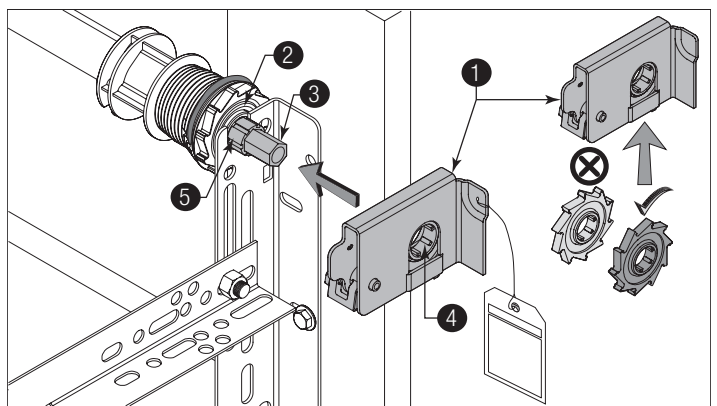


Figure 44, Right Side Shown

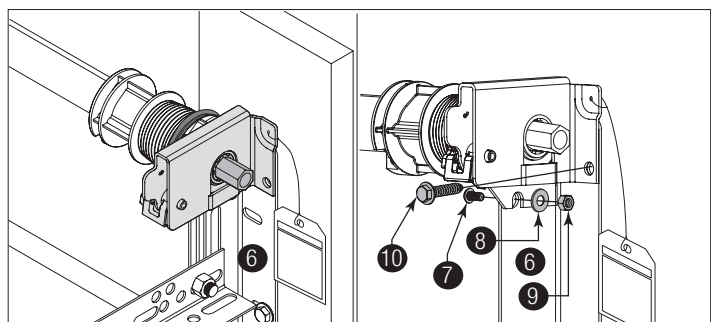


Figure 45

1	Right Side End Bracket	6	Flag Angle
2	Cable Drum Bearing	7	5/16" - 18 x 3/4" Carriage Bolt
3	Winding Shaft	8	5/16" Washer
4	Ratchet Wheel	9	5/16" - 18 Hex Nut
5	Winding Shaft Groove	10	5/16" x 1-5/8" Lag Screw

### For single spring applications:

See Figure 46 for the following steps.

**IMPORTANT:** First complete steps 18a and 18b.

18d. Secure the idler bracket **1** to the flag angle using one 5/16" - 18 x 3/4" carriage bolt **3**, one 5/16" washer **4** and one 5/16" - 18 hex nut **5**. Then secure the idler bracket to the jamb using one 5/16" x 1-5/8" lag screw **6**.

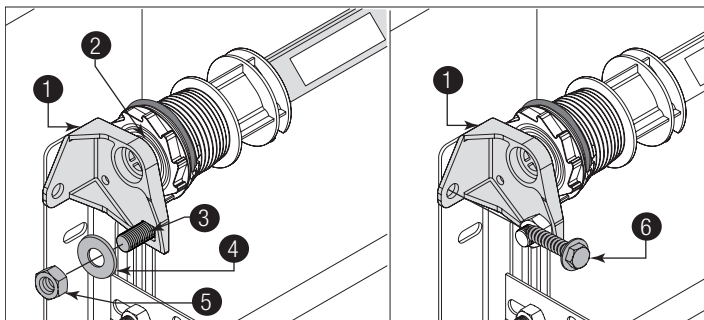


Figure 46

1	Idler Bracket	4	5/16" Washer
2	Cable Drum Bearing	5	5/16" - 18 Hex Nut
3	5/16" - 18 x 3/4" Carriage Bolt	6	5/16" x 1-5/8" Lag Screw

## 19 ATTACHING CENTER BRACKET TO WALL

### NOTICE

THE SPRING TUBE MUST BE LEVEL BEFORE SECURING CENTER BRACKET ASSEMBLY TO HEADER.

**IMPORTANT:** Drill 3/16" pilot holes into header for the lag screws.

See Figure 47 for the following steps.

19a. Mark the header halfway between the flag angles and level **2** the spring tube **3**. Position and install the center bracket **1** at the halfway point. Fasten the center bracket to the header using two 5/16" x 1-5/8" lag screws **4**.

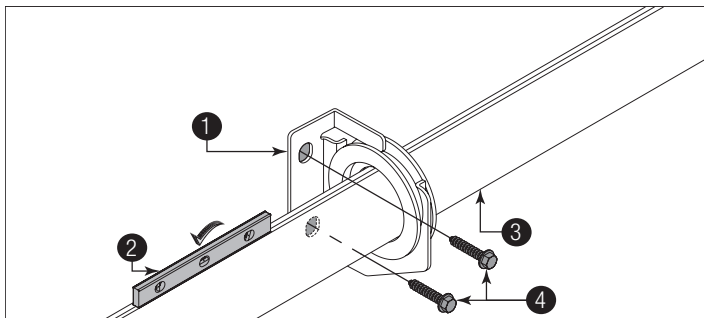


Figure 47

1	Center Bracket	3	Spring Tube
2	Level	4	5/16" x 1-5/8" Lag Screw

## 20 SECURING DOOR FOR WINDING THE SPRING(S)

See Figure 48 for the following steps.

20a. With the door in the fully closed position, place locking pliers **4** onto both vertical tracks **1** and **2** just above the third track roller **3**. This is to prevent the garage door from rising while winding spring(s). Ensure that:

- Counterbalance lift cables are secured at bottom corner brackets, See Figure 14.
- Counterbalance lift cables are unobstructed in their route to cable drums.
- Counterbalance lift cables are correctly installed with 1/2 wrap wound onto cable lift drums.
- Cable is between cable drum and wall.
- Spring tube is installed correctly.

20b. Review the Winding Spring Turn Chart in Step Winding Spring(s), to determine the number of spring turns required.

### ! WARNING

FAILURE TO PLACE LOCKING PLIERS ONTO VERTICAL TRACK CAN ALLOW DOOR TO RAISE AND CAUSE SEVERE OR FATAL INJURY.

### ! CAUTION

TO AVOID POSSIBLE DAMAGE TO YOUR DOOR, THE DOOR MUST BE CLOSED AND LOCKED WHEN WINDING OR MAKING ANY ADJUSTMENTS TO THE SPRING(S).

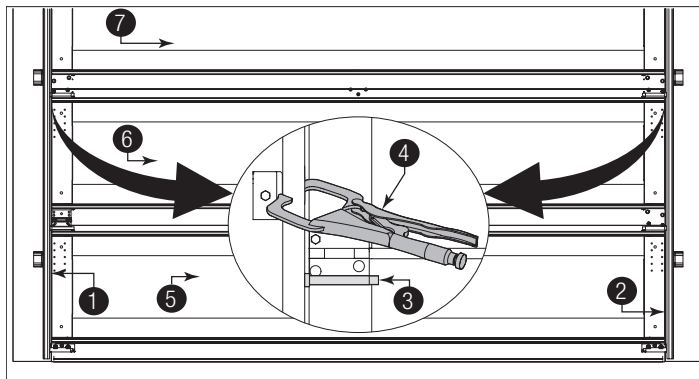


Figure 48

1	Left Side Vertical Track	5	Bottom Section
2	Right Side Vertical Track	6	Second Section
3	Short Stem Track Roller	7	Intermediate Section
4	Locking Pliers		

## 21 ADJUSTING COUNTERBALANCE LIFT CABLE

See Figures 49 through 51 for the following steps.

21a. Adjust the right side cable drum **1** by rotating the drum until the set screw **2** faces directly away from the header. Ensure the cam peak **3** on the spring tube is vertically oriented.

21b. Loosen the set screw by 1/2 turn. Ensure counterbalance lift cable 4 is aligned and seated in the first groove 5 of the cable drum. Remove all slack in the excess cable 6.

21c. Snug the set screw and then tighten it 1-1/2 turns further. Measure approximately 6" (152 mm) of cable and cut off excess. Insert cut end of the cable into the cable drum aperture 7. Repeat for left side cable drum assembly.

## WARNING

**FAILURE TO ENSURE THE COUNTERBALANCE LIFT CABLES ARE SEATED IN THE FIRST GROOVE OF THE CABLE DRUMS PRIOR TO WINDING SPRINGS, CAN RESULT IN DOOR FAILURE AND CAUSE SEVERE OR FATAL INJURY.**

**NOTE:** Figures 49 through 51 shows the right side cable drum assembly. Repeat the process for the left side.

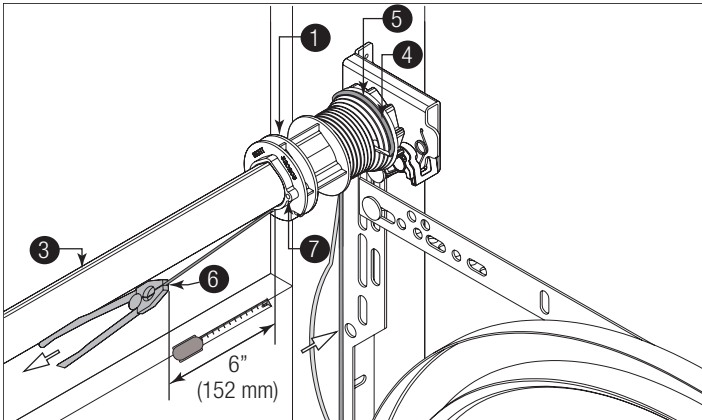


Figure 49, Right Side Shown

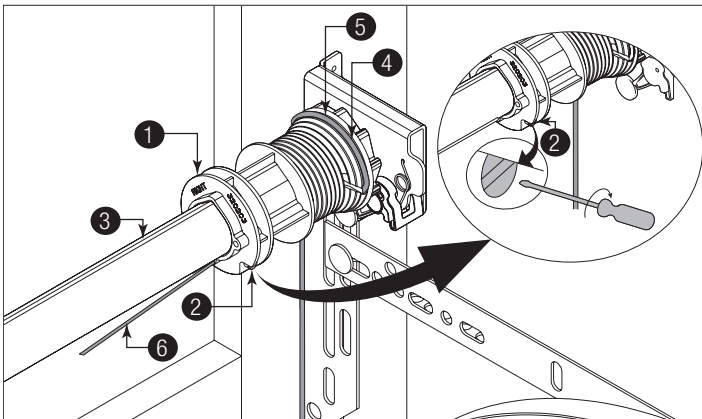


Figure 50, Right Side Shown

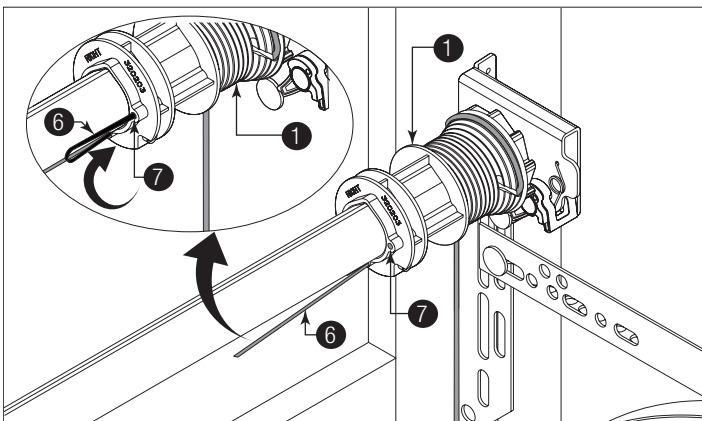


Figure 51, Right Side Shown

1	Right Side Cable Drum	5	First Groove
2	Set Screw	6	Excess Cable
3	Cam Peak	7	Cable Drum Aperture
4	Counterbalance Lift Cable		

## 22 WINDING THE SPRING(S)

### NOTICE

VERIFY THAT THERE ARE NO OBSTRUCTIONS IN THE TRAVEL PATH OF THE DOOR SECTIONS OR COUNTERBALANCE LIFT CABLES.

### NOTICE

INSPECT EACH COUNTERBALANCE LIFT CABLE MAKING SURE IT IS SEATED PROPERLY ONTO THE CABLE DRUM AND THAT BOTH COUNTERBALANCE LIFT CABLES HAVE ROUGHLY EQUAL TENSION.

**See Figures 52 and 53 for the following steps.**

22a. Attach locking pliers to track above top roller.

22b. Grasp cable at approximately mid-door height location.

22c. Draw cable toward you about 1/2" to 1" and release, noting the response of the cable.

22d. Repeat above steps for other cable.

22e. Adjust cable tension as needed until right and left cables respond the same.

## WARNING

**EXTREME CAUTION SHOULD BE USED WHEN WINDING SPRINGS AS FAILURE TO FOLLOW THE INSTRUCTIONS OR USE THE PROPER TOOLS CAN LEAD TO DEATH OR SERIOUS INJURY TO PERSONS OR PROPERTY. BEFORE ATTEMPTING TO WIND THE SPRING, MAKE SURE YOU HAVE READ AND UNDERSTAND THE INSTRUCTIONS. IF YOU ARE UNCLEAR ON ANY ASPECT OF THE INSTALLATION PROCEDURES, YOU SHOULD CONSULT A TRAINED DOOR SYSTEMS TECHNICIAN.**

## CAUTION

**IT IS RECOMMENDED THAT LEATHER GLOVES BE WORN WHILE WINDING SPRINGS. FAILURE TO WEAR GLOVES MAY CAUSE INJURY TO HANDS.**

**NOTE:** A 3" ratchet extension is recommended for added clearance from the horizontal track angle.

### NOTICE

PAWL KNOB MUST BE IN UPPER POSITION TO ADD/REMOVE REQUIRED NUMBER OF SPRING TURNS.

22f. There are two methods for counting the spring turns as you wind:

1. Identify the black tooth on the ratchet wheel inside of the end bracket. When the wheel makes one revolution and the tooth returns to its starting point, one turn has been made.

2. Make a mark on the winding shaft (or socket) and end bracket, and count turns in this manner.

22g. Check the Winding Spring Turn Chart (Table 2) for the required number of complete turns to balance the door.

22h. Starting on the right hand side, turn the pawl knob on the end bracket 1 to the upper position. Using a ratchet wrench 2 with a 5/8" socket 3 and

a 3" ratchet extension ④, wind the spring by rotating the winding shaft ⑤ counterclockwise, while watching either the black tooth on the ratchet wheel or the mark ⑥ on the winding shaft. After 2 to 3 turns, remove the ratchet wrench and adjust the counterbalance lift cable ⑦ on the left side. Ensure counterbalance lift cables are in the first groove of the cable drums, as shown in Step Adjusting Counterbalance Lift Cable.

**NOTE:** Single-spring applications require no spring winding on the left hand side, but lift cable tension needs to be adjusted.

## NOTICE

WHEN WINDING SPRING(S), ENSURE YOU ARE WINDING IN THE PROPER DIRECTION, AS SHOWN IN FIGURE 52 AND FIGURE 53. ENSURE THE RATCHET WRENCH WINDS THE SPRING CLOCKWISE FOR LEFT HAND SPRING. ENSURE THE RATCHET WRENCH WINDS THE SPRING COUNTERCLOCKWISE FOR RIGHT HAND SPRING.

### For Single Spring Applications:

Continue winding the spring on the right side to the required number of turns for your door.

When complete, place pawl knob in lower position.

### For Double Spring Applications:

Use a counting method as described in step 22f. Place the ratchet wrench with 5/8" socket and a 3" ratchet extension onto the left side winding shaft end.

To wind the spring, rotate the winding shaft clockwise, while watching the black tooth on the ratchet wheel or the mark on the winding shaft.

Rotate the winding shaft to the required number of winding turns for your door. Then return to the right hand side and wind the right hand spring to the required number of turns.

Place pawl knob in lower position on both sides.

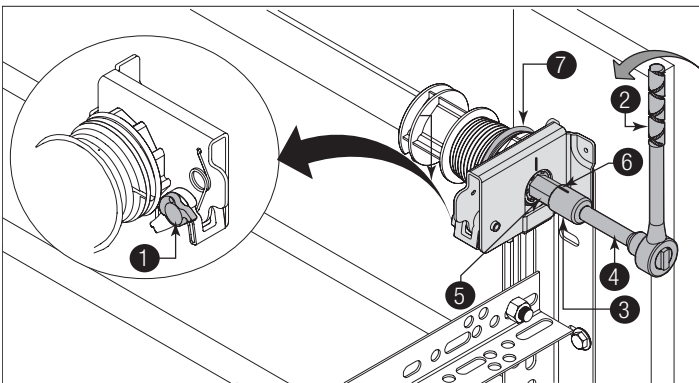


Figure 52, Right Side

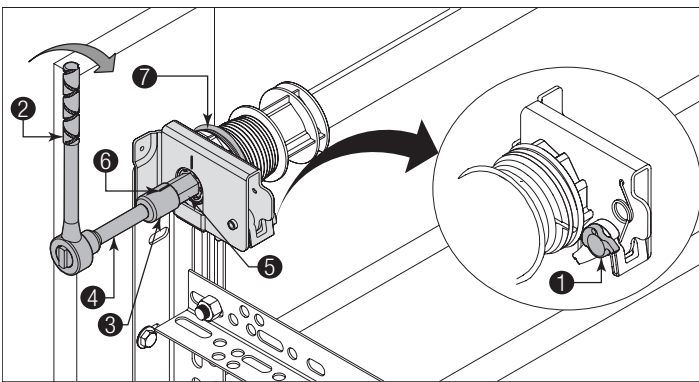


Figure 53, Left Side

1	Pawl Knob	5	Winding Shaft
2	Ratchet Wrench	6	Mark
3	5/8" Socket	7	Counterbalance Lift Cable

4	3" Ratchet Extension	
---	----------------------	--

**NOTE:** Mark the number of spring turns onto the end bracket warning tag.

Table 2, Winding Spring Turn Chart

Winding Spring Turn Chart	
Door Height	Spring Turns
6' 0"	14
6' 3"	14-1/2
6' 5" - 6' 6"	15
6' 8" - 6' 9"	15-1/2
7' 0"	16
7' 3"	16-1/2
7' 6"	17
7' 9"	17-1/2
8' 0"	18

**IMPORTANT:** Since total turns to balance door can deviate from winding spring turn chart values by  $\pm 1$  turn, adjustments to the recommended number of turns may be required after rear back hangs are installed.

## 23 SECURING DRUM WRAPS (OPTIONAL)

**NOTE:** If you don't have drum wraps, then skip this step. Refer to Package Contents / Parts Breakdown, to determine if you have drum wraps.

### See Figures 54 for the following steps.

23a. Starting on the left hand side, position the left hand drum wrap ①, as shown. Slide the left hand drum wrap over the cable drum assembly ②.

**IMPORTANT:** Pull the counterbalance lift cable ③ away from the header to clear the latch, while simultaneously sliding the drum wrap against the last rib ④ until the three catches ⑤ engage the 3rd rib ⑥.

23b. Secure the hinge latch ⑦ by rotating upward until a distinct snap is felt. Confirm the catch is fully engaged by lightly tugging on it. Repeat the same process for right hand side.

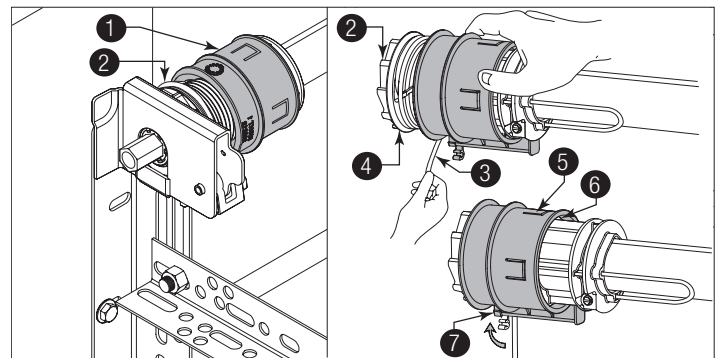


Figure 54

1	Left Hand Drum Wrap	5	Three Catches
2	Cable Drum Assembly	6	3rd Rib
3	Counterbalance Lift Cable	7	Hinge Latch
4	Last Rib		



# 24

## ATTACHING REAR BACK HANGS (NOT INCLUDED)

### CAUTION

HOLD THE DOOR DOWN TO PREVENT IT FROM RISING UNEXPECTEDLY IN THE EVENT THE SPRING(S) WERE OVER-WOUND AND CAUTIOUSLY REMOVE LOCKING PLIERS FROM VERTICAL TRACKS.

See Figures 55, 56, and 57 for the following steps.

24a. Raise the door until the top section and half of the next section are in the horizontal track radius. Do not raise door any further since rear of horizontal tracks are not yet supported.

### WARNING

RAISING THE DOOR INTO THE LOOSE HORIZONTAL TRACKS CAN RESULT IN DOOR FALLING CAUSING DEATH OR SERIOUS INJURY.

**IMPORTANT:** If an opener is installed, position horizontal tracks one hole above level when securing them to the rear back hangs.

24b. Using the chart below, select the appropriate perforated angle. Fabricate and install rear back hangs, as shown.

Perforated Angle Gauge Weight Limitations:

Perforated Angle Gauge	Door Balance Weight
1-1/4" x 1-1/4" x 13 Gauge	305 lb. to 610 lb.
1-1/4" x 1-1/4" x 15 Gauge	220 lb. to 440 lb.
1-1/4" x 1-1/4" x 16 Gauge	175 lb. to 350 lb.

### WARNING

KEEP HORIZONTAL TRACKS PARALLEL AND WITHIN 3/4" TO 7/8" (19 MM - 22 MM) MAXIMUM OF DOOR EDGE, OTHERWISE DOOR COULD FALL, RESULTING IN DEATH OR SERIOUS INJURY.

### WARNING

MAKE SURE BACK HANGS ARE BRACED SUFFICIENTLY TO RESIST ANY MOTION DURING SPRING APPLICATION AND DOOR TRAVEL. IF BACK HANGS PIVOT OR DEFLECT, ADD REINFORCEMENT UNTIL THEY REMAIN FIRM AND STATIONARY. ANY BACK HANG THAT HAS BEEN BENT MUST BE REPLACED. FAILURE TO SECURELY BRACE THE HORIZONTAL TRACK CAN RESULT IN DOOR FALLING CAUSING DEATH OR SERIOUS INJURY.

### NOTICE

DO NOT SUPPORT THE WEIGHT OF THE DOOR ON ANY PART OF THE REAR BACK HANGS THAT IS 4" (102 MM) OR MORE BEYOND A SOUND FRAMING MEMBER.

### NOTICE

IF REAR BACK HANGS ARE TO BE INSTALLED OVER DRYWALL, USE TWO 5/16" X 2" HEX-HEAD LAG SCREWS AND MAKE SURE LAG SCREWS ENGAGE INTO SOLID STRUCTURAL LUMBER.

### WARNING

FAILURE TO ASSEMBLE AND ATTACH REAR BACK HANGS PROPERLY ACCORDING TO THE ABOVE INSTRUCTIONS MAY RESULT IN DOOR FALLING WHEN RAISED, CAUSING DEATH OR SERIOUS INJURY.

### NOTICE

PERFORATED ANGLE MUST BE ATTACHED TO SOUND FRAMING MEMBERS AND NAILS SHOULD NOT BE USED.

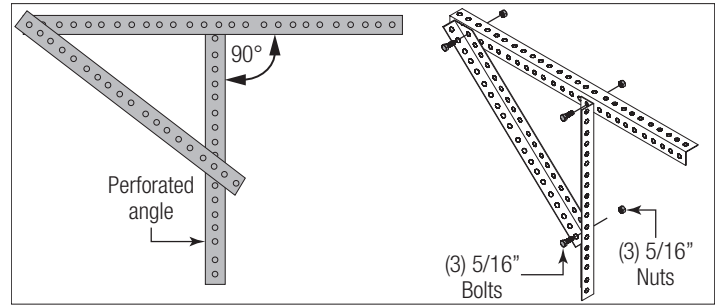


Figure 55

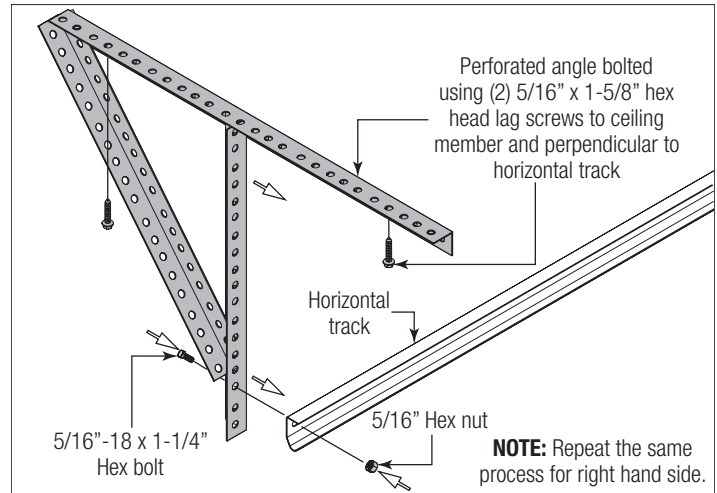


Figure 56

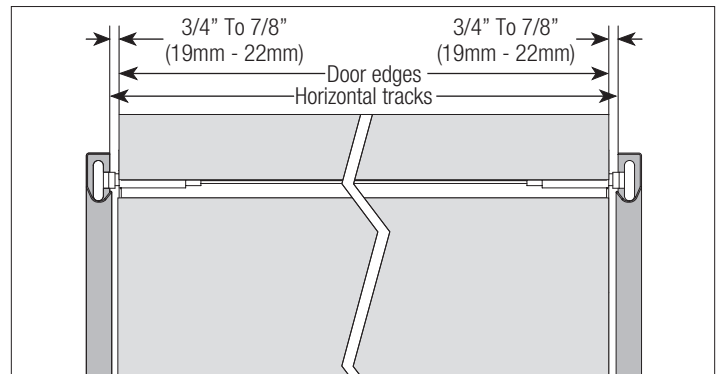


Figure 57

# 25

## ATTACHING WEATHERSTRIPS (NOT INCLUDED)

### NOTICE

WHEN PERMANENTLY ATTACHING THE WEATHERSTRIPS TO THE JAMBS, AVOID PUSHING THE WEATHER-STRIPS TOO TIGHTLY AGAINST THE FACE OF DOOR.

See Figure 58 for the following steps.

25a. Permanently attach the nails to the weatherstrips on both door jambs ① and the header ②. The weatherstrips were temporarily attached in Preparing the Opening, in the pre-installation section of this manual.

**NOTE:** For clarity, door isn't shown.

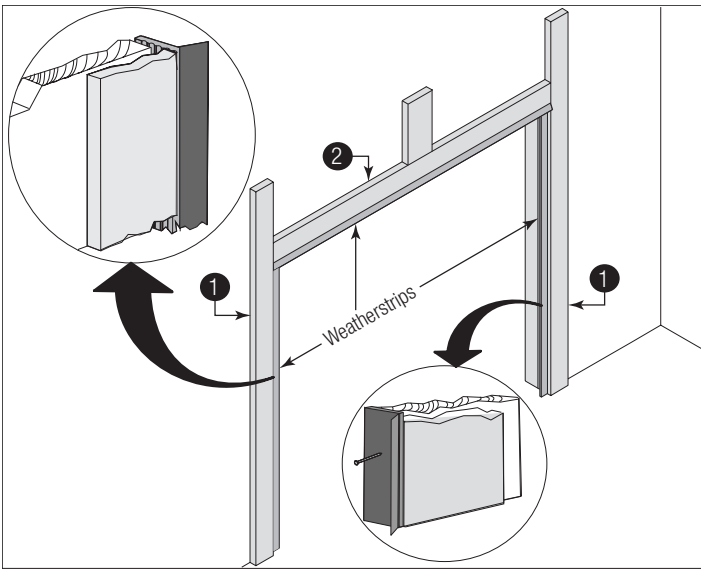


Figure 58, Weatherstrips

1	Door Jambs	2	Header
---	------------	---	--------

## 26 BALANCING DOOR

### CAUTION

**WINDOWS MAY CAUSE THE TOP SECTION TO BE SIGNIFICANTLY HEAVIER THAN THE REMAINING SECTIONS. TO PREVENT ANY SUDDEN DOOR ACCELERATION BETWEEN THE TOP AND BOTTOM, MOTOR OPERATE ALL DOORS WITH WINDOWS.**

See Figure 59 for the following steps.

26a. Remove any locking pliers. Lift the door and check its balance. Adjust spring(s) if door lifts by itself (hard to pull down) or if door is difficult to lift (drifts down). Anytime spring adjustments are made, the pawl knob must be in the upper position 1. An unbalanced door can cause TorqueMaster® Plus operation problems.

26b. Close the door and place locking pliers onto both vertical tracks just above the third track roller. This is to prevent the garage door from rising while adjusting the spring(s).

**IMPORTANT:** To adjust springs, only add or remove a maximum of 3/10 of a turn (three teeth on the ratchet wheel 4) at a time. Both sides need to be adjusted equally on double spring doors.

### WARNING

**EXTREME CAUTION SHOULD BE USED WHEN WINDING SPRINGS AS FAILURE TO FOLLOW THE INSTRUCTIONS OR USE THE PROPER TOOLS CAN LEAD TO DEATH OR SERIOUS INJURY TO PERSONS OR PROPERTY. BEFORE ATTEMPTING TO WIND THE SPRING, MAKE SURE YOU HAVE READ AND UNDERSTAND THE INSTRUCTIONS. IF YOU ARE UNCLEAR ON ANY ASPECT OF THE INSTALLATION PROCEDURES, YOU SHOULD CONSULT A TRAINED DOOR SYSTEMS TECHNICIAN.**

26c. Adding Spring Tension: The ratchet wheel 4 is made of 10 teeth. To add spring tension, tighten counter clockwise on the right hand side and clockwise on the left hand side. Place pawl knob in upper position 1. Place the ratchet wrench 6 with 5/8" socket 5 and 3" ratchet extension 7 onto the winding shaft, to add 3/10 of a turn. Watch as three teeth of the ratchet wheel pass over the pawl 3, creating three "clicks." Place pawl knob in lower position 2. For double spring applications, repeat the same process for the other side.

### WARNING

**WHEN WINDING THE SPRING BE PREPARED TO HOLD THE FULL TENSION OF THE SPRING. FAILURE TO SECURELY HOLD THE RACHET WRENCH CAN RESULT IN SERIOUS INJURY.**

26d. Removing Spring Tension: To remove spring tension, place a regular 5/8" wrench onto the winding shaft 8. Place pawl knob in upper position 1. Pull down on the wrench to relieve pressure between the pawl 3 and the ratchet wheel 4. Push in on the pawl 3 to allow the three ratchet wheel teeth to pass by the pawl 3, as you carefully allow the wrench to be rotated upward by the spring tension, release the pawl 3 to allow it to engage with the ratchet wheel 4. Place pawl knob in lower position 2. For double spring applications, repeat the same process for the other side, except clockwise.

**IMPORTANT:** Do not add or remove more than 1 spring turn (1 spring turn equals 10 teeth on ratchet wheel) from the recommended number of turns shown on the winding spring turn chart. If necessary, consult a trained door systems technician to obtain replacement springs.

26e. If the door still does not operate easily, lower the door into the closed position, unwind spring(s) completely, and recheck the following items:

- 26f. Is the door level?
- 26g. Are the TorqueMaster® Plus spring tube and flag angles level and plumb?
- 26h. Does the distance between the flag angles equal door width plus 3-3/8" to 3-1/2" (86 mm – 89 mm)?
- 26i. Do the counterbalance lift cables have equal tension? Adjust if necessary.
- 26j. Rewind the spring(s).
- 26k. Make sure door is not rubbing on jambs.

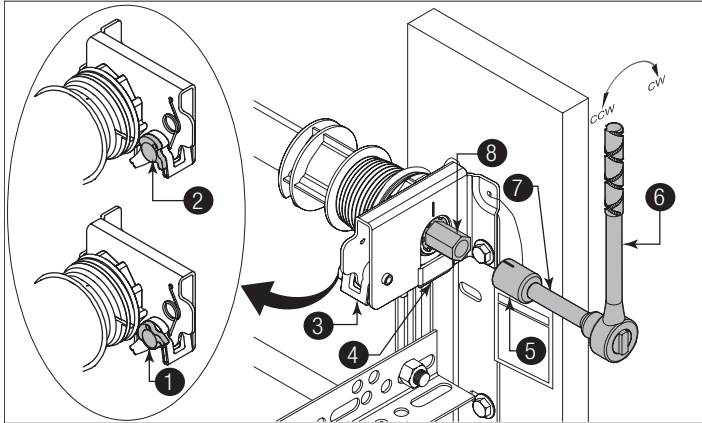


Figure 59

1	Pawl Knob in the Upper Position	5	5/8" Socket
2	Pawl Knob in the Lower Position	6	Ratchet Wrench
3	Pawl	7	3" Ratchet Extension
4	Ratchet Wheel	8	Winding Shaft

# OPTIONAL INSTALLATION

## TorqueMaster® Plus Reset Instructions

### WARNING

THE DRAWBAR OPERATOR FORCE SETTINGS MUST BE ADJUSTED ACCORDING TO THE MANUFACTURER'S INSTRUCTIONS. SOME LIGHTER WEIGHT DOORS ARE DESIGNED TO OPERATE WITH A SINGLE COUNTERBALANCE SPRING. IF THAT COUNTERBALANCE SPRING BREAKS AND THE DRAWBAR OPERATOR'S FORCE SETTINGS ARE NOT ADJUSTED ACCORDING TO THE MANUFACTURER'S SPECIFICATIONS, THE DRAWBAR OPERATOR MAY THEN HAVE THE CAPABILITY OF LIFTING THE DOOR TO THE OPEN POSITION, DESPITE THE BROKEN COUNTERBALANCE SPRING. THIS SCENARIO WILL CAUSE THE COUNTERBALANCE LIFT CABLES TO GO SLACK AND ENGAGE THE TORQUEMASTER® PLUS SAFETY SYSTEM. IF A PERSON IS UNAWARE OF THE SLACK COUNTERBALANCE LIFT CABLES AND THE ENGAGED TORQUEMASTER® PLUS SAFETY SYSTEM AND ACTIVATES THE MISADJUSTED DRAWBAR OPERATOR, DAMAGE WILL LIKELY OCCUR TO THE DOOR AND DRAWBAR OPERATOR. THE POTENTIAL ALSO EXISTS THAT THE PERSON ACTIVATING THE DRAWBAR OPERATOR UNDER THIS SCENARIO COULD RESULT DEATH OR SERIOUS INJURY.

### WARNING

READ THESE INSTRUCTIONS CAREFULLY BEFORE ATTEMPTING TO RESET THE TORQUEMASTER® PLUS SYSTEM. IF IN QUESTION ABOUT ANY OF THE PROCEDURES, DO NOT PERFORM THE WORK. INSTEAD, HAVE A QUALIFIED DOOR SYSTEMS TECHNICIAN RESET THE SYSTEM.

### WARNING

TO AVOID DEATH OR SERIOUS INJURY, DO NOT STAND OR WALK UNDER A MOVING DOOR, OR PERMIT ANYONE TO STAND OR WALK UNDER AN ELECTRICALLY OPERATED DOOR.

This door is equipped with a TorqueMaster® plus system, a safety feature which prevents the door from rapidly descending in case of spring failure or forceful manual operation. If the system engages with the door in the open position, personal items that are left unattended in the garage or home are at risk to theft. To ensure the safekeeping of these items, close the garage door.

#### Typical signs of an engaged system.

**Single spring system:** Visually inspect the TorqueMaster® Plus right hand end bracket to confirm that the system has engaged (see illustration). If the system is engaged, then the door will not close. If the drawbar operator force settings were properly set during the initial installation, the door will not open. If the drawbar operator can physically overcome the weight of the door and lift it to the open position, then the counterbalance lift cables will be slack. If the system is engaged, DO NOT attempt to make the repairs. Instead, have a trained door system technician make the necessary repairs to counterbalance lift cables, spring assemblies and other hardware.

**Double spring system:** Visually inspect the TorqueMaster® Plus end brackets to confirm that the system has engaged (see illustration). Door makes a distinct "clicking" noise upon being opened. If the system is engaged, carefully follow the reset instructions below or refer to the reset tag (attached to right hand end bracket) to reset the TorqueMaster® Plus system.

#### Resetting an engaged TorqueMaster® Plus double spring system only:

1. First, locate and visually inspect the TorqueMaster® plus end bracket(s) to confirm that the system has engaged (see illustration).
2. With the door in the fully closed position, place locking pliers onto both vertical tracks just above the third track roller. Disengage the drawbar operator (if installed) by pulling or placing the emergency disconnect in the manually operated position.
3. With assistance, carefully remove locking pliers and raise the door to the fully open position.

4. Place locking pliers onto both vertical tracks just below the bottom track roller on both sides.
5. Now is a good time to remove vehicles or personal items from garage to provide clear access to end brackets.
6. **For single spring applications:** Flip the ratchet pawl knob on the right hand end bracket to the upper position. **For double spring applications:** Flip the ratchet pawl knob on both end brackets to the upper position (see illustration).
7. Raise door 2"-3" and then lower door. Repeat this process until the system resets (see disengaged system illustrations).

**IMPORTANT:** Be prepared to support the total weight of the door.

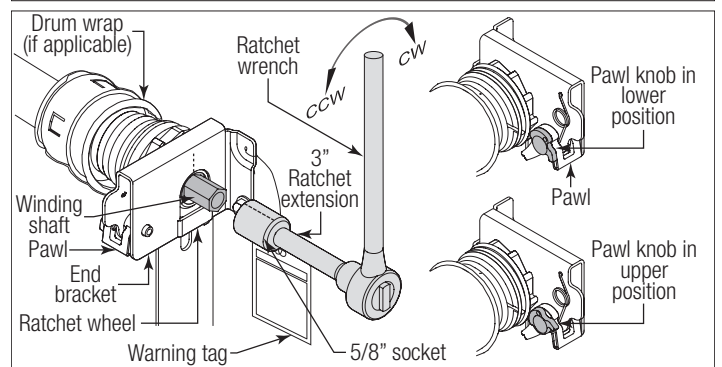
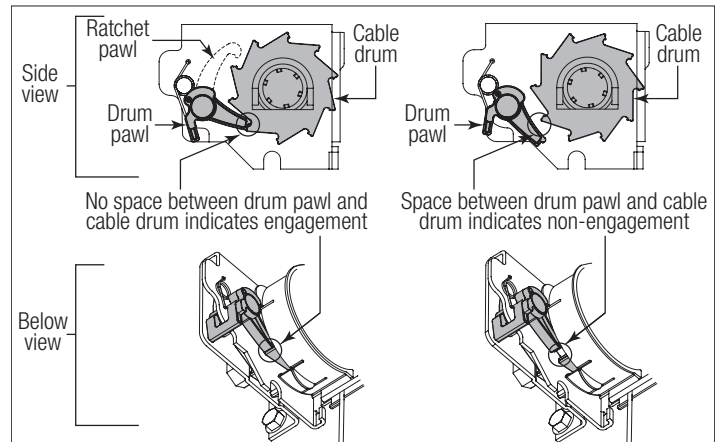
8. Cautiously remove the locking pliers from the vertical tracks. With assistance lower door.

#### Checking springs for tension:

9. Starting on the right hand side, place a ratchet wrench, 5/8" socket and a 3" extension on the TorqueMaster® Plus winding shaft (see illustration). Ensure ratchet is set so that it will tighten counter clockwise on the right hand side, and clockwise on the left hand side. If tension is present, remove the ratchet and check the left hand side. If spring(s) have tension, the door will need to be balanced; refer to step, Balancing Door, to do this. If no spring tension is present, contact a qualified trained door system technician to replace the spring(s).

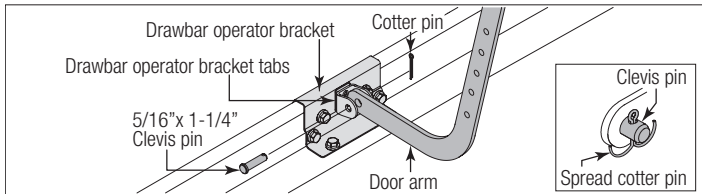
### CAUTION

TO AVOID POSSIBLE INJURY, HAVE A TRAINED DOOR SYSTEMS TECHNICIAN MAKE ADJUSTMENTS/ REPAIRS TO COUNTERBALANCE LIFT CABLES, SPRING ASSEMBLIES AND OTHER HARDWARE.



## Door Arm Hookup

Align hole in the door arm with holes in drawbar operator bracket tabs, as shown. Insert 5/16" x 1-1/4" clevis pin, making sure hole in clevis pin is outside of second tab of drawbar operator bracket. Insert hairpin cotter into clevis pin hole and spread hairpin cotter to secure assembly, as shown.



## Trolley Arm Configuration

Measure the horizontal radius of the horizontal track to determine if you have a 12" or 15" radius horizontal track, as shown in FIG. 1; if you have a low headroom door skip this step. Determine center line of the door. Mark vertical line at this point on the header, as shown in FIG. 4. Raise the door slightly until the top section reaches the highest point of travel (high arc), as shown in FIG. 2 and FIG. 3 for low headroom. Using a level, mark this high arc point onto the header where it intersects the vertical center line, as shown in FIG. 4. Hold the wall bracket's bottom edge 1/2" - 1" (room permitting) above the high arc line and centered on the vertical center line, as shown in FIG. 4. Mark the wall bracket's mounting holes on the header wall and then refer to your garage door operator manual for pre-drilling and securing the wall bracket to header.

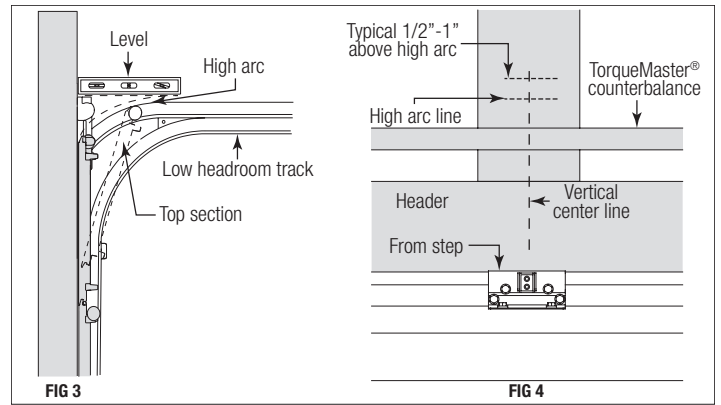
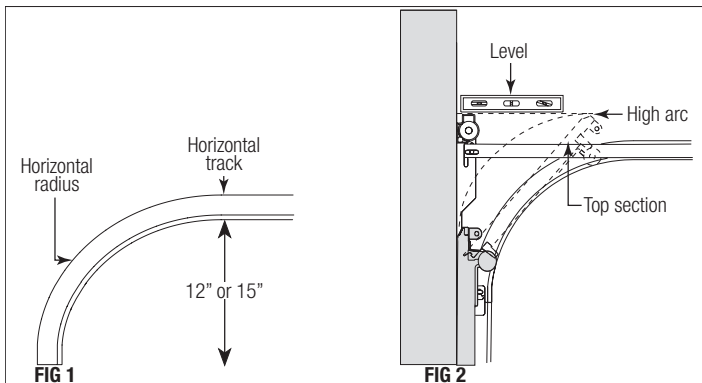
**NOTE:** Refer to your operator manual for specific details on how to assemble the curved and straight arm.

Align hole in the appropriate arm with holes in drawbar operator bracket tabs, as shown in step, Trolley Arm Hookup. Insert 5/16" x 1-1/4" clevis pin, making sure hole in clevis pin is outside of second tab of drawbar operator bracket. Insert cotter pin into clevis pin hole and spread hairpin cotter to ensure it will secure assembly.

**NOTE:** Depending on your door configuration, you could have alternative drawbar operator brackets. Refer to your alternate drawbar operator bracket insert.

## **WARNING**

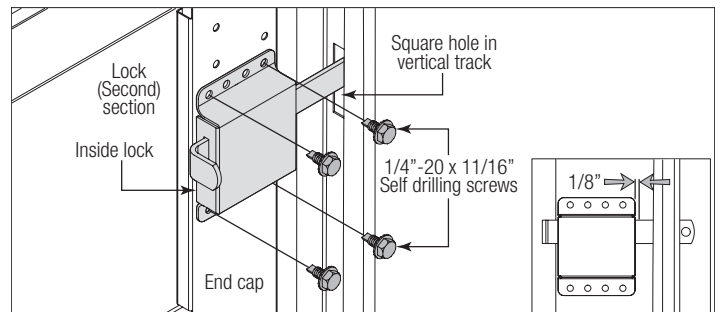
**PRIOR TO INSTALLING THE OPERATOR TROLLEY ARM TO THE DOOR, UNPLUG THE GARAGE DOOR OPERATOR. WITH THE DOOR IN THE FULLY CLOSED POSITION, PLACE LOCKING PLIERS ONTO BOTH VERTICAL TRACKS JUST ABOVE THE THIRD TRACK ROLLER. THIS IS TO PREVENT THE GARAGE DOOR FROM RISING UNEXPECTEDLY WHILE INSTALLING THE OPERATOR TROLLEY ARM TO THE DOOR. AFTER INSTALLING THE OPERATOR TROLLEY ARM TO THE DOOR REMOVE THE LOCKING PLIERS AND PLUG THE GARAGE DOOR OPERATOR BACK INTO THE OUTLET.**



## Inside Lock

Install the inside lock on the second section of the door. Secure the lock to the section with (4) 1/4" - 20 x 11/16" self drilling screws. Square the lock assembly with the door section, and align with the square hole in the vertical track. The inside lock should be spaced approximately 1/8" away from the section edge.

**IMPORTANT:** Inside lock(s) must be removed or made inoperative in the unlocked position if an operator is installed on this door.

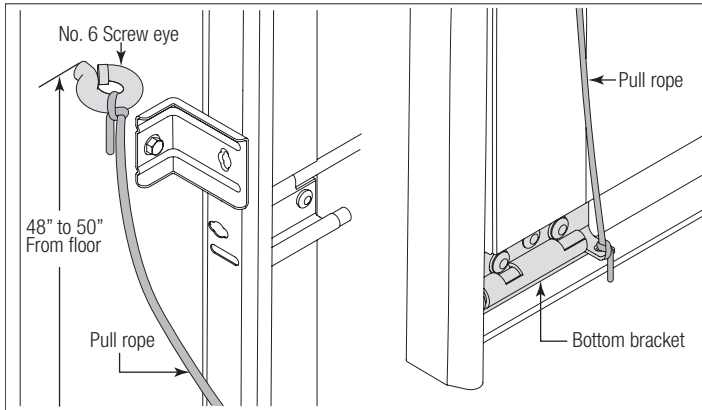


## Pull Down Rope

### **WARNING**

**DO NOT INSTALL PULL DOWN ROPE ON DOORS WITH OPERATORS. CHILDREN MAY BECOME ENTANGLED IN THE ROPE CAUSING SEVERE OR FATAL INJURY.**

Measure and mark the jamb approximately 48" to 50" (1220 to 1270 mm) from floor on the right or left side of jamb. Drill 1/8" pilot hole for no. 6 screw eye. Tie the pull down rope to the no. 6 screw eye and to the bottom corner bracket, as shown.



## Step Plate

Make one mark 1" (25 mm) up from the center of bottom edge of the bottom section and another mark 2-3/16" (56 mm) up from the first mark.

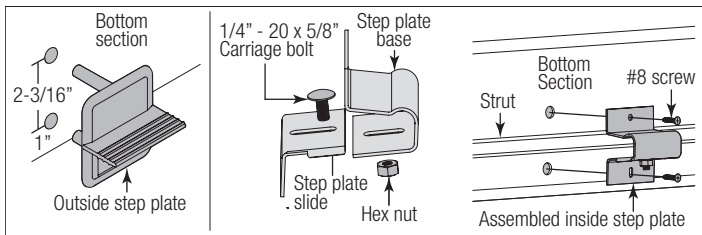
**NOTE:** Top of step plate can be no higher than 8" from the bottom of the door.

Drill a 7/16" (11 mm) hole through the section at each mark and insert the outside step plate. Loosely fasten step plate slide to base with (1) 1/4" - 20 x 5/8" carriage bolt and nut. Align inside step plate holes and fasten from inside using the #8 screws provided. Install one #8 x 3/4" screw in the bottom step plate hole. The screw in the top hole varies with door models. Use the screw size shown below for your model door.

a) #8 x 3/4" screw for model 9100

b) #8 x 1" screw models 9405/9605

Tighten 1/4" - 20 carriage bolt and nut.



# MAINTENANCE

## Cleaning Your Garage Door

### NOTICE

DO NOT USE A PRESSURE WASHER ON YOUR GARAGE DOOR!

While factory-applied finishes on garage doors are durable, it is desirable to clean them on a routine basis. Some discoloration of the finish may occur when a door has been exposed to dirt-laden atmosphere for a period of time. Slight chalking may also occur as a result of direct exposure to sunlight. Cleaning the door may help to restore the appearance of the finish. To maintain an aesthetically pleasing finish of the garage door, a periodic washing of the garage door is recommended.

#### The Following Cleaning Solution is Recommended:

A mild detergent solution consisting of one cup detergent (with less than 0.5% phosphate) dissolved into five gallons of warm water will aid in the removal of most dirt.

### NOTICE

THE USE OF DETERGENTS CONTAINING GREATER THAN 0.5% PHOSPHATE IS NOT RECOMMENDED FOR USE IN GENERAL CLEANING OF GARAGE DOORS. BE SURE TO CLEAN BEHIND WEATHER-STRIPS ON BOTH SIDES AND TOP OF DOOR.

### NOTICE

NEVER MIX CLEANSERS OR DETERGENTS WITH BLEACH.

### NOTICE

DO NOT USE ANY WINDOW CLEANING FLUIDS, SCOURING COMPOUNDS, GRITTY CLOTHS OR SOLVENT-BASED CLEANERS OF ANY KIND.

To clean polycarbonate windows, see [www.Wayne-Dalton.com](http://www.Wayne-Dalton.com).

## Painting Your Garage Door

Refer to Instruction Insert "**Field Painting and Finishing Fiberglass or Steel Door Sections**".

## Maintaining The Finish On Your Garage Door

If the factory finish is beginning to fade, the door may require a field applied top clear coat. Depending on environment and usage, this may be necessary after 1 to 3 years of use. Refer to Instruction Insert "**Field Painting and Finishing Fiberglass or Steel Door Sections**".

## Operation And Maintenance

### Operating Your Garage Door:

Before you begin, read all warning labels affixed to the door and the installation instructions and owner's manual. When correctly installed, your Wayne Dalton door will operate smoothly. Always operate your door with controlled movements. Do not slam your door or throw your door into the open position, this may cause damage to the door or its components. If your door has an electric opener, refer to the owner's manual to disconnect the opener before performing manual door operation below.

### Manual Door Operation:

For additional information on manual garage door operation go to [www.dasma.com](http://www.dasma.com) and reference TDS 165.

### CAUTION

**DO NOT PLACE FINGERS OR HANDS INTO SECTION JOINTS WHEN OPENING AND/OR CLOSING A DOOR. ALWAYS USE LIFT HANDLES/SUITABLE GRIPPING POINTS WHEN OPERATING THE DOOR MANUALLY.**

**OPENING A DOOR:** Make sure the lock (if present) are in the unlocked position. Lift the door by using the lift handles/suitable gripping points only. Door should open with little resistance.

**CLOSING A DOOR:** From inside the garage, pull door downward using lift handles/ gripping points only. If you are unable to reach the lift handles/suitable gripping points only, use pull-down rope (if present) affixed to the side of door. Door should close completely with little resistance.

### Using An Electric Operator:

**IMPORTANT:** If present, Pull-down rope must be removed and locks must be removed or made inoperative in the unlocked position.

When connecting a drawbar (trolley-type) garage door operator to this door, a drawbar operator bracket must be securely attached to the top section of the door, along with any struts provided with the door. Always use the drawbar operator bracket supplied with the door. To avoid possible damage to your door, reinforce the top section with a strut (may or may not be supplied). The installation of the drawbar operator must be according to manufacturer's instructions and force settings must be adjusted properly. Refer to the owner's manual supplied with your drawbar operator for complete details on installation, operation, maintenance and testing of the operator.

### Maintaining Your Garage Door:

Before you begin, read all warning labels affixed to the door and the installation instructions and owner's manual. Perform routine maintenance steps once a month, and have the door professionally inspected once a year. Review your Installation Instructions and Owner's Manual for the garage door. These instructions are available at no charge from Wayne Dalton, a division of Overhead Door Corporation, P.O. Box 67, Mt. Hope, OH, 44660, or at [www.Wayne-Dalton.com](http://www.Wayne-Dalton.com). For additional information on garage door/operator maintenance go to [www.dasma.com](http://www.dasma.com) and reference TDS 151, 167 and 179.

### Monthly Inspections:

#### 1. Visual Inspection:

Closely inspect jambs, header and mounting surface. Any material found not to be structurally sound must be replaced. It may be necessary to uninstall part or all of the door assembly in order to replace defective material. Refer to the supplemental instructions "Removing an Existing Door/Preparing the Opening" at [www.Wayne-Dalton.com](http://www.Wayne-Dalton.com). Inspect the spring(s), counterbalance lift cables, track rollers, pulleys, rear back hangs and other door hardware for signs of worn or broken parts. Tighten any loose screws and/or bolts, except on bottom corner brackets or on the counterbalance assembly. Check exterior surface of the door sections for any minor cracks. Verify door has not shifted right or left in the opening. If you suspect problems, contact a trained door system technician.

### DANGER

**GARAGE DOOR SPRINGS, COUNTERBALANCE LIFT CABLES, BRACKETS, AND OTHER HARDWARE ATTACHED TO THE SPRINGS ARE UNDER EXTREME TENSION, AND IF HANDLED IMPROPERLY, CAN CAUSE DEATH OR SERIOUS INJURY. ONLY A TRAINED DOOR SYSTEMS TECHNICIAN SHOULD ADJUST THEM, BY CAREFULLY FOLLOWING THE MANUFACTURER'S INSTRUCTIONS.**

## **WARNING**

**NEVER REMOVE, ADJUST, OR LOOSEN THE BOLTS, SCREWS AND/OR LAG SCREWS ON THE COUNTERBALANCE (END BEARING BRACKETS, DRUMS OR SPRING SYSTEM) OR BOTTOM CORNER BRACKETS OF THE DOOR. THESE BRACKETS ARE CONNECTED TO THE SPRING(S) AND ARE UNDER EXTREME TENSION. TO AVOID POSSIBLE DEATH OR SERIOUS INJURY, HAVE ANY SUCH WORK PERFORMED BY A TRAINED DOOR SYSTEMS TECHNICIAN USING PROPER TOOLS AND INSTRUCTIONS.**

### **TorqueMaster® Plus Springs:**

Pawl knob(s) (located on the TorqueMaster® Plus end bracket(s) above the door) should be engaged to prevent the door from rapidly descending in case of spring failure or forceful manual operation.

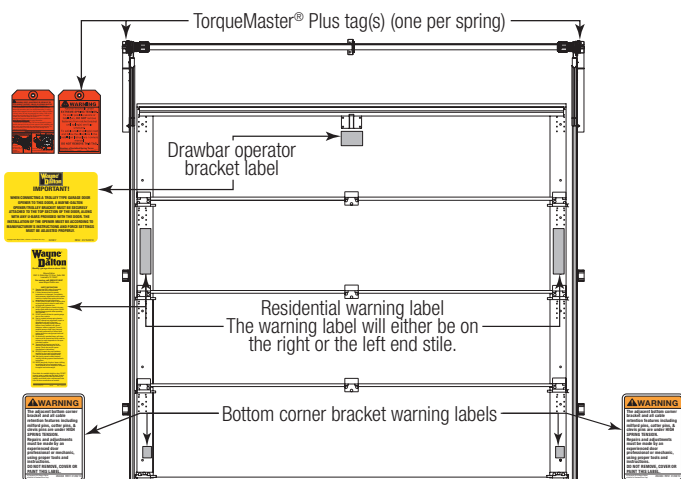
### **2. Door Balance:**

Periodically test the balance of your door. If you have a garage door drawbar operator, use the release mechanism so you can operate the door by hand when doing this test. Start with the door in the fully closed position. Using handles or suitable gripping points, lift the door to check its balance. Adjust TorqueMaster® Plus spring(s), if door lifts by itself (hard to pull down) or if door is difficult to lift (easy to pull down). To adjust TorqueMaster® Plus, refer to your installation instructions and owner's manual. If in question about any of the procedures, do not perform the work. Instead, have it adjusted by a trained door systems technician.

### **3. Lubrication:**

The door should open and close smoothly. Ensure the door track rollers are rotating freely when opening and closing the door. If track rollers do not rotate freely, clean the door tracks, removing dirt and any foreign substances. Clean and lubricate (use a non-silicon based lubricant) graduated end hinges, center hinges, steel track rollers, bearings and torsion springs (torsion spring coil surfaces). DO NOT lubricate plastic idler bearings, nylon track rollers, or the door track. DO NOT oil a cylinder lock. If actuation is difficult, use a graphite dust to lubricate.

### **Check for Presence of Safety Labels:**



# WARRANTY

## Limited Warranty

### Models 9100, 9405 and 9605

Wayne Dalton, a division of Overhead Door Corporation ("Seller") warrants to the original purchaser of the Models 9100, 9405 and 9605 ("Product"), subject to all of the terms and conditions hereof, that the Product and all components thereof will be free from defects in materials and workmanship for the following period(s) of time, measured from the date of installation:

**LIMITED LIFETIME WARRANTY\*** on the Product sections against:

- Peeling, cracking, or chalking of the original factory-applied coating on the steel sections of the Product.
- The Product becoming inoperable due to rust-through of the steel skin from the core of the Product section, caused by cracking, splitting, or other deterioration of the steel skin, or due to structural failure caused by separation or degradation of the foam insulation.
- The Product hardware (except springs) and the tracks.

**ONE (1) YEAR** on those component parts of the Product not covered by the preceding provisions of this Warranty

\*Limited Lifetime shall mean as long as the original purchaser owns the house in which the Product is originally installed.

**TWO (2) YEARS** on the Model 9405 factory attached overlay material against peeling, cracking, chalking, fading or delamination.

Seller's obligation under this warranty is specifically limited to repairing or replacing, at its option, any part which is determined by Seller to be defective during the applicable warranty period. Any labor charges are excluded and will be the responsibility of the purchaser.

This warranty gives you specific legal rights, and you may also have other rights which vary from state to state. This warranty is made to the original purchaser of the Product only, and is not transferable or assignable. This warranty applies only to Product installed in a residential or other non-commercial application. It does not cover any Product installed in commercial or industrial building applications. This warranty does not apply to any unauthorized alteration or repair of the Product, or to any Product or component which has been damaged or deteriorated due to misuse, neglect, accident, failure to provide necessary maintenance, normal wear and tear, acts of God, or any other cause beyond the reasonable control of Seller or as a result of having been exposed to toxic or abrasive environments, including blowing sand, salt water, salt spray and toxic chemicals and fumes.

ALL EXPRESS AND IMPLIED WARRANTIES FOR THE PRODUCT, INCLUDING BUT NOT LIMITED TO ANY IMPLIED WARRANTIES OF MERCHANTABILITY AND FITNESS FOR A PARTICULAR PURPOSE, ARE LIMITED IN TIME TO THE APPLICABLE WARRANTY PERIOD REFLECTED ABOVE. NO WARRANTIES, WHETHER EXPRESS OR IMPLIED, WILL APPLY AFTER THE LIMITED WARRANTY PERIOD HAS EXPIRED. Some states do not allow limitations on how long an implied warranty lasts, so the above limitation may not apply to you.

IN NO EVENT SHALL SELLER BE RESPONSIBLE FOR, OR LIABLE TO ANYONE FOR, SPECIAL, INDIRECT, COLLATERAL, PUNITIVE, INCIDENTAL OR CONSEQUENTIAL DAMAGES, even if Seller has been advised of the possibility of such damages. Such excluded damages include, but are not limited to, loss of use, cost of any substitute product, or other similar indirect financial loss. Some states do not allow the exclusion or limitation of incidental or consequential damages, so the above limitation or exclusion may not apply to you.

Claims under this warranty must be made promptly after discovery, within the applicable warranty period, and in writing to the authorized distributor or installer whose name and address appear below. The purchaser must allow Seller a reasonable opportunity to inspect any Product claimed to be defective prior to removal or any alteration of its condition. Proof of the purchase and/or installation date, and identification as the original purchaser, may be required. There are no established informal dispute resolution procedures of the type described in the Magnuson-Moss Warranty Act.

• SELLER: \_\_\_\_\_

• SELLER'S ADDRESS: \_\_\_\_\_

\_\_\_\_\_





---

Thank you for your purchase.

---

**PLEASE DO NOT RETURN THIS PRODUCT TO THE STORE**

If you need assistance, please call 1-866-569-3799 (press Option 1) and follow the prompts to contact a customer service representative. They will be happy to handle any questions that you may have.

---

After installation is complete, leave this Installation Instructions And Owner's Manual with the homeowner, or fasten it near garage door for easy reference.

Product may be covered by one or more patents.  
See **[www.wayne-dalton.com/patents](http://www.wayne-dalton.com/patents)** for details.