

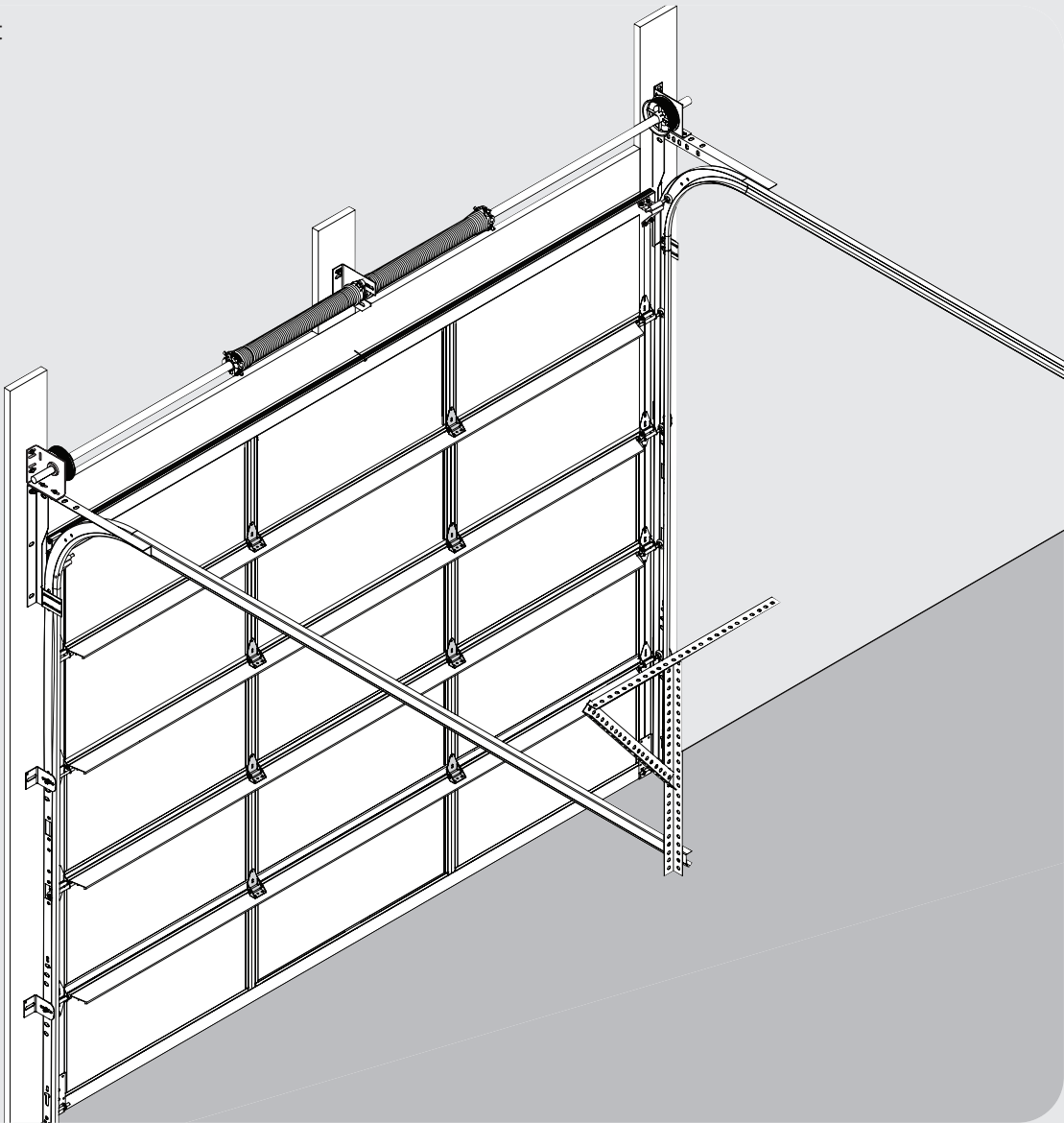


# 8800 Aluminum Full View

## Torsion Spring

Installation Instructions and Owner's Manual

Portland Source Plant



Wayne-Dalton, a Division of Overhead Door Corporation  
P.O. Box 67, Mt. Hope, OH 44660  
[www.Wayne-Dalton.com](http://www.Wayne-Dalton.com)

### IMPORTANT NOTICE!

Read these instructions carefully before attempting installation. If in question about any of the procedures, do not perform the work. Instead, have a qualified door agency do the installation or repairs.

## Table of Contents

Important Safety Instructions .....	2
Package Contents .....	3-4
Door Section Identification .....	4
Tools Required .....	5
Pre-Installation .....	5-7
Removing An Old Door .....	5
Preparing The Opening .....	6-7
Installation .....	7-23
Optional Installations .....	24-25
Side Lock .....	24
Pull Rope .....	24
Trolley Operator .....	25
Maintenance .....	26
Cleaning .....	26
Painting Instructions .....	26
Warranty .....	27
Dealer Locator Information .....	28

### Definition of key words used in this manual:

#### **WARNING**

INDICATES A POTENTIALLY HAZARDOUS SITUATION WHICH, IF NOT AVOIDED, COULD RESULT IN SEVERE OR FATAL INJURY.

**CAUTION:** PROPERTY DAMAGE OR INJURY CAN RESULT FROM FAILURE TO FOLLOW INSTRUCTIONS.

**IMPORTANT:** REQUIRED STEP FOR SAFE AND PROPER DOOR OPERATION.

**NOTE:** Information assuring proper installation of the door.

#### **WARNING**

**READ THESE INSTRUCTIONS CAREFULLY BEFORE ATTEMPTING INSTALLATION. IF IN QUESTION ABOUT ANY OF THE PROCEDURES, DO NOT PERFORM THE WORK. INSTEAD, HAVE A QUALIFIED DOOR AGENCY DO THE INSTALLATION OR REPAIRS.**

1. **READ AND FOLLOW ALL INSTALLATION INSTRUCTIONS.**
2. Wear protective gloves during installation to avoid possible cuts from sharp metal edges.
3. It is always recommended to wear eye protection when using tools, otherwise eye injury could result.
4. Avoid installing your new door on windy days. Door could fall during the installation causing severe or fatal injury.
5. Doors 12'- 0" wide and wider should be installed by two persons, to avoid possible injury.
6. Operate door **ONLY** when it is properly adjusted and free from obstructions.
7. If a door becomes hard to operate, inoperative or is damaged, immediately have necessary adjustments and/or repairs made by a trained door system technician using proper tools and instructions.
8. **DO NOT** stand or walk under a moving door, or permit anybody to stand or walk under an electrically operated door.
9. **DO NOT** place fingers or hands into open section joints when closing a door. Use lift handles/gripping points when operating door manually.
10. **DO NOT** permit children to operate garage door or door controls. Severe or fatal injury could result, should the child become entrapped between the door and the floor.
11. Due to constant extreme spring tension, **DO NOT** attempt any adjustment, repair or alteration to any part of the door, especially to springs, spring brackets, bottom corner brackets, red colored fasteners, cables or supports. To avoid possible severe or fatal injury, have any such work performed by a trained door systems technician using proper tools and instructions.
12. On electrically operated doors, pull down ropes must be removed and locks must be removed or made inoperative in the open (unlocked) position.
13. Top section of door may need to be reinforced when attaching an electric opener. Check door and/or opener manufacturer's instructions.
14. **VISUALLY** inspect door and hardware monthly for worn and or broken parts. Check to ensure door operates freely.
15. Test electric opener's safety features monthly, following opener manufacturer's instructions.
16. **NEVER** hang tools, bicycles, hoses, clothing or anything else from horizontal tracks. Track systems are not intended or designed to support extra weight.
17. Avoid installing your door in close proximity to any heat source that may exceed 200°F. Failure to do so, may cause door sections to blister and/or warp.

**After installation is complete, fasten this manual near garage door.**

# Package Contents

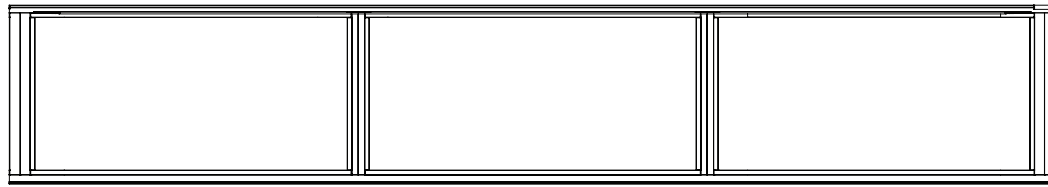
**NOTE:** DEPENDING ON THE DOOR MODEL, SOME PARTS LISTED WILL NOT BE SUPPLIED IF NOT NECESSARY. REAR SUPPORTS MAY OR MAY NOT BE INCLUDED WITH YOUR DOOR.



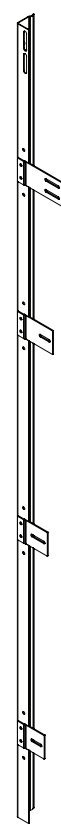
(2) HORIZONTAL TRACK WITH ATTACHED HORIZONTAL ANGLE RH/LH



(1) TORSION TUBE



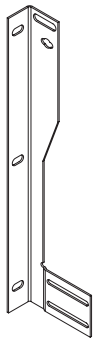
DOOR SECTIONS  
(AS REQUIRED)



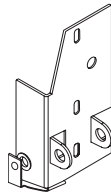
(2) WALL ANGLES



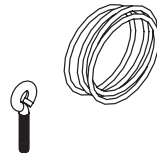
(2) VERTICAL RH/LH TRACK



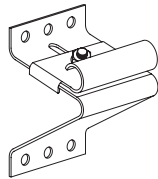
(2) FULLY ADJUSTABLE RH/LH FLAGANGLE



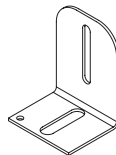
RIGHT AND LEFT BOTTOM BRACKETS  
(AS REQUIRED)



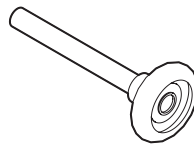
#6 SCREW EYE AND PULL ROPE  
(AS REQUIRED)



TOP BRACKET ASSEMBLY  
(AS REQUIRED)



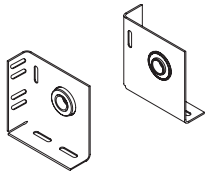
JAMB BRACKETS  
(AS REQUIRED)



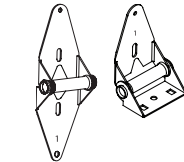
ROLLERS  
(AS REQUIRED)



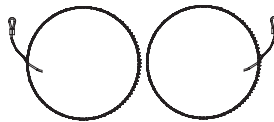
LIFT HANDLES  
(AS REQUIRED)



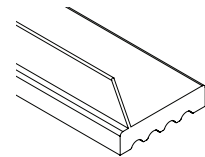
RIGHT & LEFT END BEARING BRACKETS



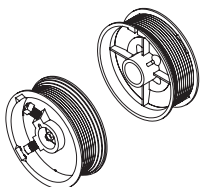
#1, #2, #3, #4 HINGES & #1 HALF HINGES  
(AS REQUIRED)



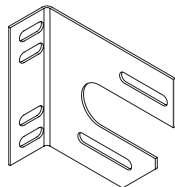
COUNTERBALANCE CABLES



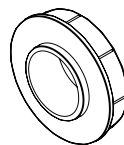
WEATHER SEAL & NAILS (IF INCLUDED)



RIGHT & LEFT DRUMS



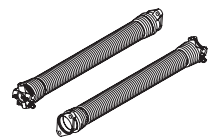
(1) CENTER BRACKET



(1) CENTER BRACKET BUSHING

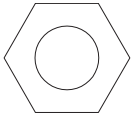


MANUAL

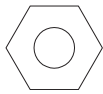


RH/LH TORSION SPRINGS (AS REQUIRED)

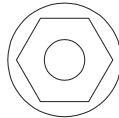
## Package Contents Continued...



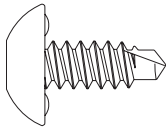
3/8" - 16 HEX NUTS  
(AS REQUIRED)



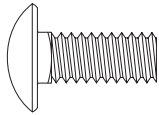
(2) 1/4" - 20 HEX NUTS



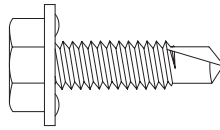
1/4" - 20 FLANGE HEX NUTS (AS REQUIRED)



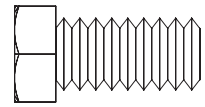
(2) 1/4" - 20 X 5/8" TAMPER RESISTANT SCREWS



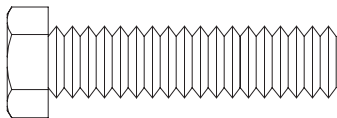
1/4" - 20 X 5/8" CARRIAGE BOLTS (AS REQUIRED)



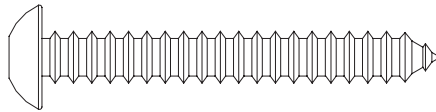
1/4" - 20 X 7/8" SELF DRILLING SCREWS (AS REQUIRED)



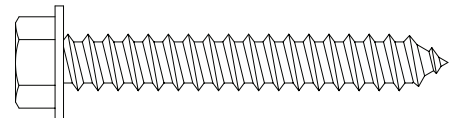
3/8" - 16 X 3/4" HEX HEAD BOLTS (AS REQUIRED)



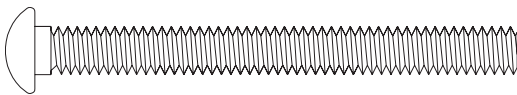
(2) 3/8" - 16 X 1-1/2" HEX HEAD BOLTS



5/16" X 2" TAMPER RESISTANT LAG SCREWS (AS REQUIRED)



5/16" X 2" HEX HEAD LAG SCREWS (AS REQUIRED)



(2) 1/4" X 2-1/2" CARRIAGE BOLTS

### Door Section Identification

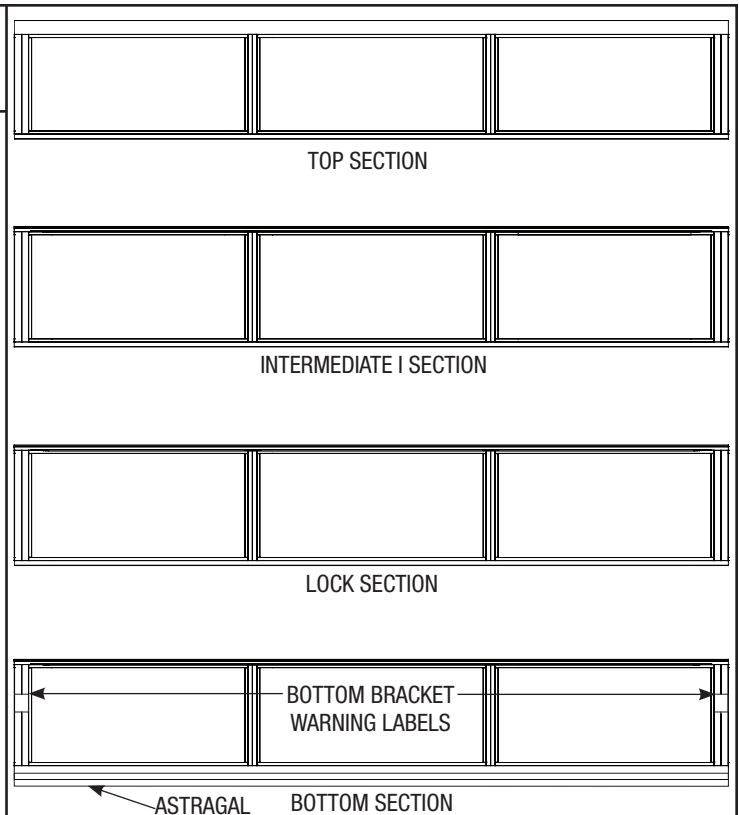
#### Tools Needed:

The **BOTTOM SECTION** can be identified by the factory attached bottom astragal, or by the bottom bracket warning labels on each end stile. This section is always the 1st section on four and five section doors.

The **LOCK SECTION** may have a yellow and black warning label on the right side of the section. This section is always the 2nd section on four and five section doors.

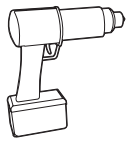
The **INTERMEDIATE I SECTION** may have a warning label attached to either right or left hand end stile of the section. This section is always the 3rd section from the bottom of the door.

The **TOP SECTION** is always the 4th section on four section door and the 5th section on five section door.

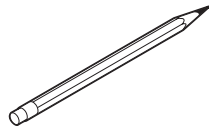




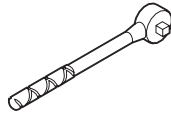
## Tools Required



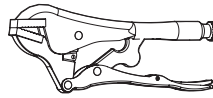
POWER DRILL



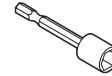
PENCIL



RATCHET WRENCH



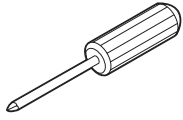
VICE GRIPS



3/8", 7/16" SOCKET DRIVER



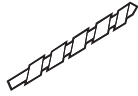
GLOVES



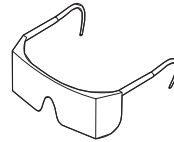
PHILLIPS HEAD SCREWDRIVER



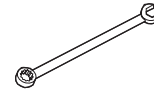
7/16", 1/2" & 9/16" SOCKET



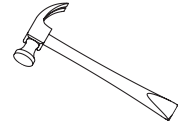
9/32", 1/2", 3/16" & 1/8" DRILL BITS



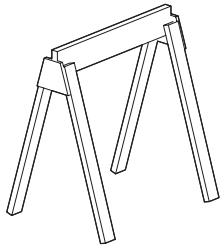
SAFETY GLASSES



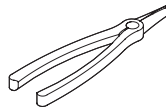
1/4", 3/8", 7/16", 1/2" & 9/16" WRENCHES



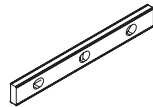
HAMMER



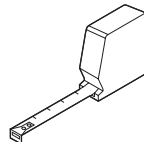
SAWHORSE



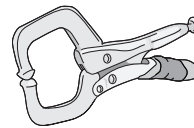
NEEDLE NOSE PLIERS



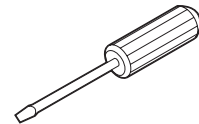
LEVEL



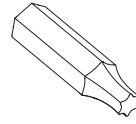
TAPE MEASURE



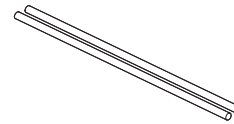
VICE CLAMPS



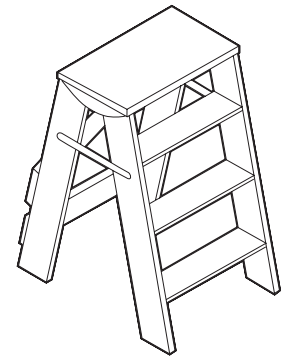
FLAT TIP SCREWDRIVER



1/4" TORX BIT



APPROVED WINDING BARS



STEP LADDER

# P1

## Removing An Old Door

Counterbalance spring tension must always be released before any attempt is made to start removing an existing door.

### **⚠ WARNING**

A POWERFUL SPRING RELEASING ITS ENERGY SUDDENLY CAN CAUSE SEVERE OR FATAL INJURY. TO AVOID INJURY HAVE A TRAINED DOOR SYSTEMS TECHNICIAN, USING PROPER TOOLS AND INSTRUCTIONS, RELEASE THE SPRING TENSION.

For detailed information see supplemental instructions "removing an existing door/preparing the opening". These instructions are available at no charge from Wayne-Dalton Corp., P.O. Box 67, Mt. Hope, OH 44660, or at [www.wayne-dalton.com](http://www.wayne-dalton.com).

# P2

## Preparing the Opening

Tools Needed:

Tape Measure

### **WARNING**

**FAILURE TO SECURELY ATTACH A SUITABLE MOUNTING PAD TO STRUCTURALLY SOUND FRAMING COULD CAUSE SPRINGS TO VIOLENTLY PULL MOUNTING PAD FROM WALL, RESULTING IN SEVERE OR FATAL INJURY.**

If you just removed your existing door or you are installing a new door, complete all steps in PREPARING THE OPENING.

To ensure secure mounting of track brackets, side and center bearing brackets, or steel angles to new or retro-fit construction, it is recommended to follow the procedures outlined in DASMA Technical Data Sheets #156, #161 and #164 at [www.dasma.com](http://www.dasma.com).

The inside perimeter of your garage door opening should be framed with wood jamb and header material. The jambs and header must be securely fastened to sound framing members. It is recommended that 2" x 6" lumber be used. The jambs must be plumb and the header level. The jambs should extend a minimum of 14" (356 mm) above the top of the opening for Torsion spring applications. For low headroom applications, the jambs should extend to the ceiling height. Minimum side clearance required, from the opening to the wall, is 3-1/2" (89 mm).

**IMPORTANT:** CLOSELY INSPECT EXISTING JAMBS, HEADER AND MOUNTING SURFACE. ANY WOOD FOUND NOT TO BE SOUND, MUST BE REPLACED.

For Torsion spring applications, a suitable mounting surface must be firmly attached to the wall, above the header at the center of the opening. The mounting surface must be 2" x 6" lumber minimum (Select southern yellow pine lumber. Do not use lumber marked as spruce-pine-fur or SPF). The mounting surface must be securely attached to the wall with four (4) 3/8" anchors for masonry constructions or four (4) 5/16" x 4" lag screws for wood construction.

**NOTE:** Drill a 3/16" pilot hole in the mounting surface to avoid splitting the lumber. Do not attach the mounting surface with nails.

#### **Weather Seal (May Not Be Included):**

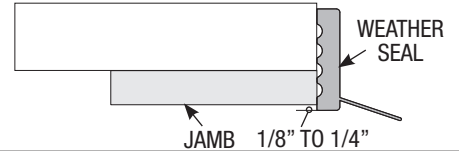
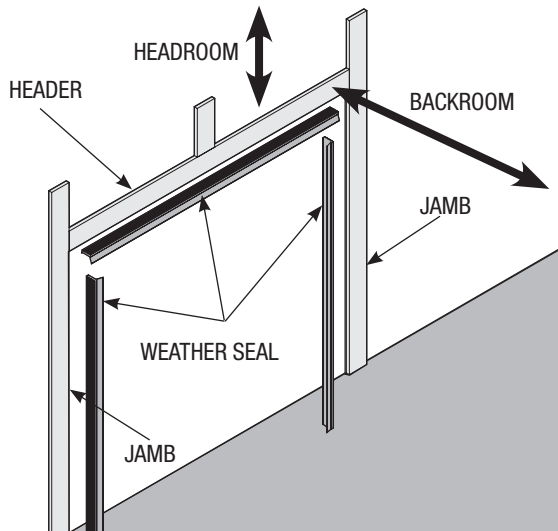
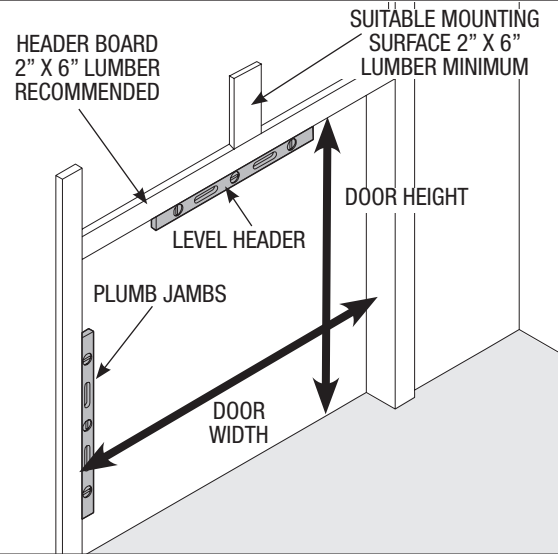
Cut or trim the weather seal (if necessary) to the header and jambs.

**For fully adjustable track:** Align the header seal 1/8" to 1/4" inside the header and temporarily secure it to the header with equally spaced nails. Next, fit the jamb seals up tight against the header seal and 1/8" to 1/4" inside the jamb. Temporarily secure the jamb seals with equally spaced nails approximately 12" to 18" apart. This will keep the bottom section from falling out of the opening during installation.

**NOTE:** Do not permanently attach weather seal to the jamb at this time.

**HEADROOM REQUIREMENT:** Headroom is defined as the space needed above the top of the door for tracks, springs, etc. to allow the door to open properly. If the door is to be motor operated, 3" (76 mm) of additional headroom is required.

**BACKROOM REQUIREMENT:** Backroom is defined as the distance needed from the opening back into the garage to allow the door to open fully.



TRACK TYPE	TORSION
12" R	14"
14" R	17"
3.5 LHR REAR	7"
3.5 LHR FRONT	10"

#### **HEADROOM REQUIREMENTS**

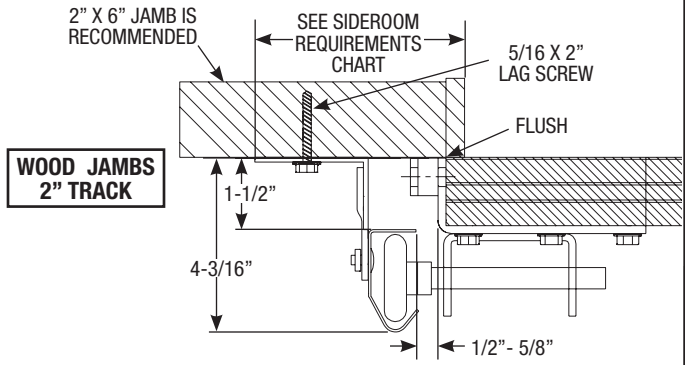
DOOR HEIGHT	TRACK TYPE	BACKROOM MANUAL LIFT	BACKROOM REQUIREMENTS (MOTOR OPERATED)
6'0" - 8'0"	12" R	Opening Height + 18"	Opening Height + 66"
6'0" - 8'0"	14" R	Opening Height + 18"	Opening Height + 66"
6'0" - 8'0"	3-1/2" LHR REAR	Opening Height + 30"	Opening Height + 66"
6'0" - 8'0"	3-1/2" LHR FRONT	Opening Height + 30"	Opening Height + 66"

#### **BACKROOM REQUIREMENTS**

**Preparing the Opening  
Continued.....**

RADIUS TRACK	SIDEROOM (Requirements)
12" R	4-1/2"
14"R	4-1/2"
3.5 LHR REAR	9"
3.5 LHR FRONT	4-1/2"

**SIDEROOM REQUIREMENTS**



**Installation**

Begin the installation of the door by checking the opening. It must be the same size as the door. Vertical jambs must be plumb and level with header.

**IMPORTANT:** STAINLESS STEEL OR PT 2000 COATED LAG SCREWS (NOT SUPPLIED) MUST BE USED WHEN INSTALLING CENTER BEARING BRACKETS, END BRACKETS, JAMB BRACKETS, OPERATOR MOUNTING/SUPPORT BRACKETS AND DISCONNECT BRACKETS ON TREATED LUMBER (PRESERVATIVE-TREATED). STAINLESS STEEL OR PT 2000 COATED LAG SCREWS ARE NOT NECESSARY WHEN INSTALLING PRODUCTS ON UN-TREATED LUMBER.

**IMPORTANT:** WHEN INSTALLING 5/16" DIAMETER LAG SCREWS USING AN ELECTRIC DRILL/DRIVER, THE DRILL/DRIVER'S CLUTCH MUST BE SET TO DELIVER NO MORE THAN 200 IN. LBS. OF TORQUE. FASTENER FAILURE COULD OCCUR AT A HIGHER SETTING.

**Note:** It is recommended that 5/16" lag screws be pilot drilled using a 3/16" drill bit, prior to fastening.

# 1

## Cutting Vertical Track

Tools Needed:

None

**NOTE:** If you have riveted track, skip this step.

Vertical track must be cut to the proper length prior to installation.

**IMPORTANT:** DOORS THAT ARE 7'-0" OR 8'-0" IN HEIGHT DO NOT REQUIRE CUTTING THE VERTICAL TRACK.

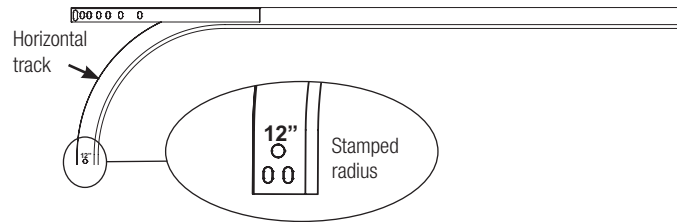
Determine the radius of your horizontal track.

**NOTE:** All Portland tracks have the radius stamped on the side of the track.

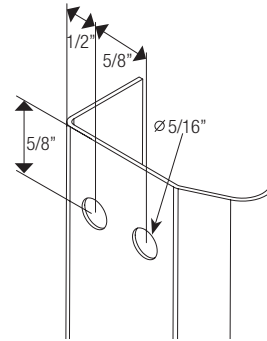
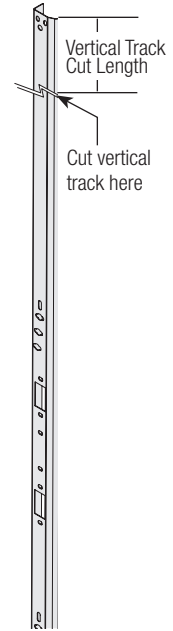
Using this measurement, refer to the vertical track cutting chart to determine the length of the vertical track. Cut the track off at the TOP.

Now, two holes must be drilled into the top of the cut vertical track. Refer to the illustration shown for hole locations. Use a 5/16" drill bit.

Repeat for other vertical track.



Vertical Track Cutting Chart	
Horizontal Track Radius	Vertical Track Cut Length
10", 12"	Door Height Minus 10"
14"	Door Height Minus 8"
3-1/2" LHR	Door Height Minus 15"
6-1/2" LHR	Door Height Minus 12"



# 2

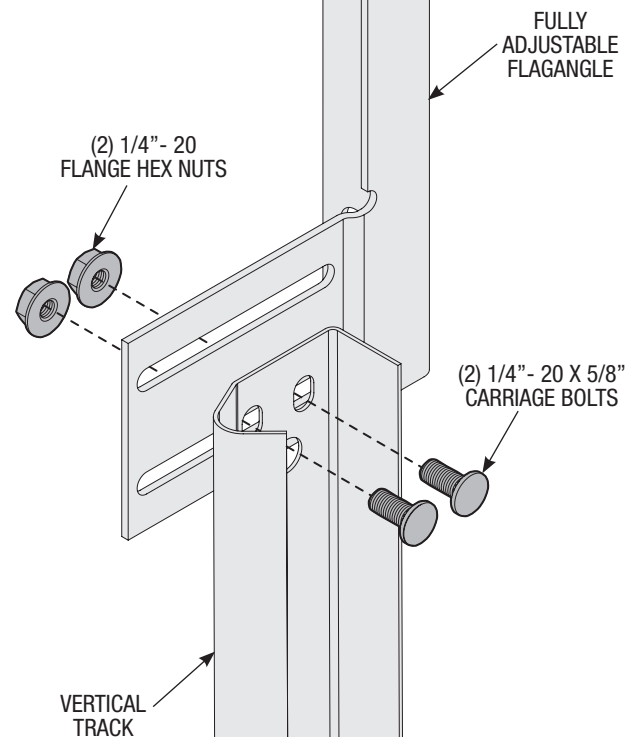
## Attaching Fully Adjustable Flagangle to Vertical Track

Tools Needed:

None

**NOTE:** If you do not have fully adjustable flagangles, skip this step and continue with step 3.

Hand tighten the flagangle to the vertical track using (2) 1/4" - 20 x 5/8" carriage bolts and (2) 1/4" flange hex nuts. Secure the flange nuts after flagangle spacing is complete (Step 11).



# 3

## Attaching Wall Angle to Vertical Track and Installing Wall Angle

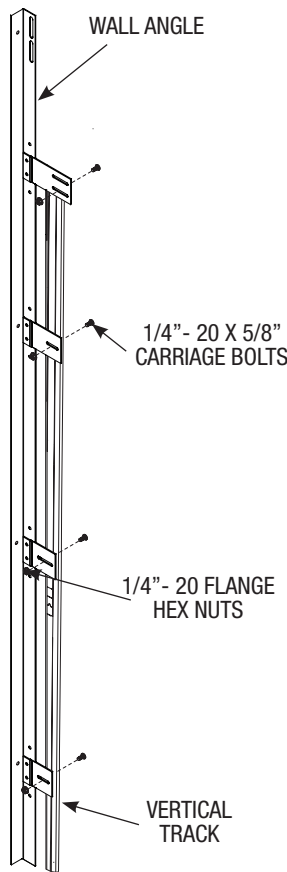
Tools Needed:

None

**NOTE:** If you have riveted track, skip this step.

If your door has fully adjustable flagangle to vertical track, skip this step and go to step 2.

Hand tighten the wall angle to the vertical track using 1/4" - 20 x 5/8" carriage bolts and 1/4" - 20 flange hex nuts.



# 4

## Installing Fully Adjustable Jamb Brackets

Tools Needed:

None

**NOTE:** If you have riveted track, skip this step.

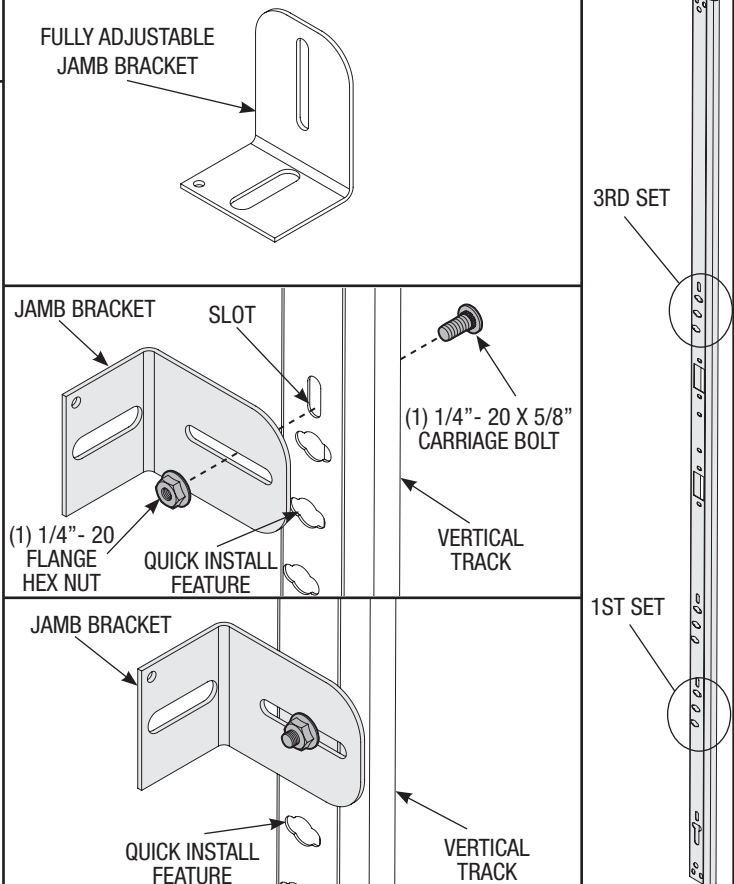
If wall angle/vertical track assembly was supplied, skip this step and continue with step 5.

To attach the bottom jamb bracket, JB-2, locate the first set of quick install features of the vertical track. Align the slot in the jamb bracket with the slot above the quick install features in the vertical track. The long side of the bracket is placed against the track.

Fasten the jamb bracket finger tight, using (1) 1/4" - 20 x 5/8" carriage bolt and (1) 1/4" - 20 flange hex nut.

To attach the top jamb bracket, JB-3, locate the third set of quick install features of the vertical track. Align the slot in the jamb bracket with the slot above the quick install features in the vertical track. The long side of the bracket is placed against the track.

Fasten the jamb bracket finger tight, using (1) 1/4" - 20 x 5/8" carriage bolt and (1) 1/4" - 20 flange hex nut.



# 5

## Attaching Counterbalance Cables to Bottom Brackets

Tools Needed:  
Pliers

**IMPORTANT:** RIGHT AND LEFT HAND IS ALWAYS DETERMINED FROM INSIDE THE GARAGE LOOKING OUT.

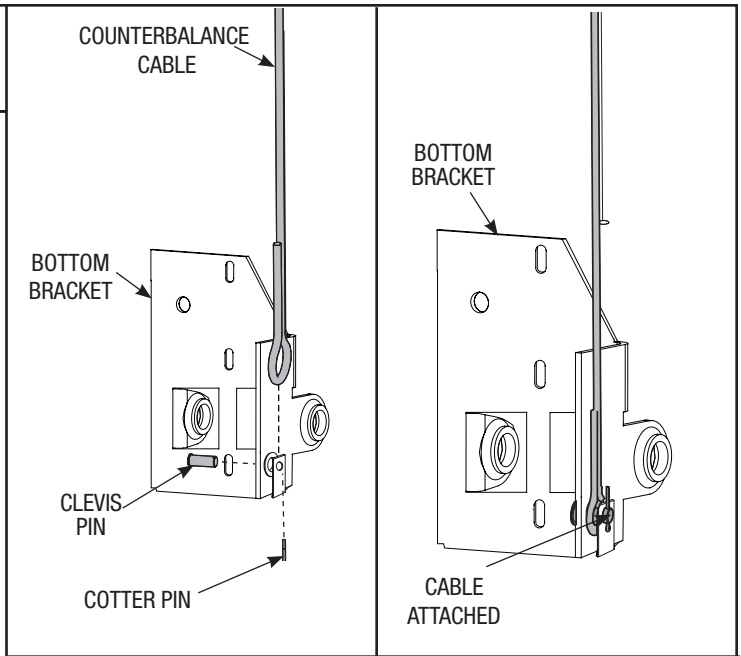
**NOTE:** For door section identification see page 4.

Locate the right and left hand bottom brackets. Uncoil the counterbalance cables. Slide the clevis pin through the left hand bottom bracket and counterbalance cable. Insert a cotter pin in the end of the clevis pin, and bend the cotter pin over to secure.

Repeat for the right hand bottom bracket.

**NOTE:** Verify astragal (bottom seal) is aligned with door section. If there is more than 1/2" excess astragal on either side, trim astragal even with door section.

**NOTE:** Specific door models may utilize a different bottom bracket design.



# 6

## Bottom Brackets

Tools Needed:  
Power Drill  
7/16" Socket Driver

**IMPORTANT:** RIGHT AND LEFT HAND IS ALWAYS DETERMINED FROM INSIDE THE GARAGE LOOKING OUT.

**NOTE:** for door section identification see page 4.

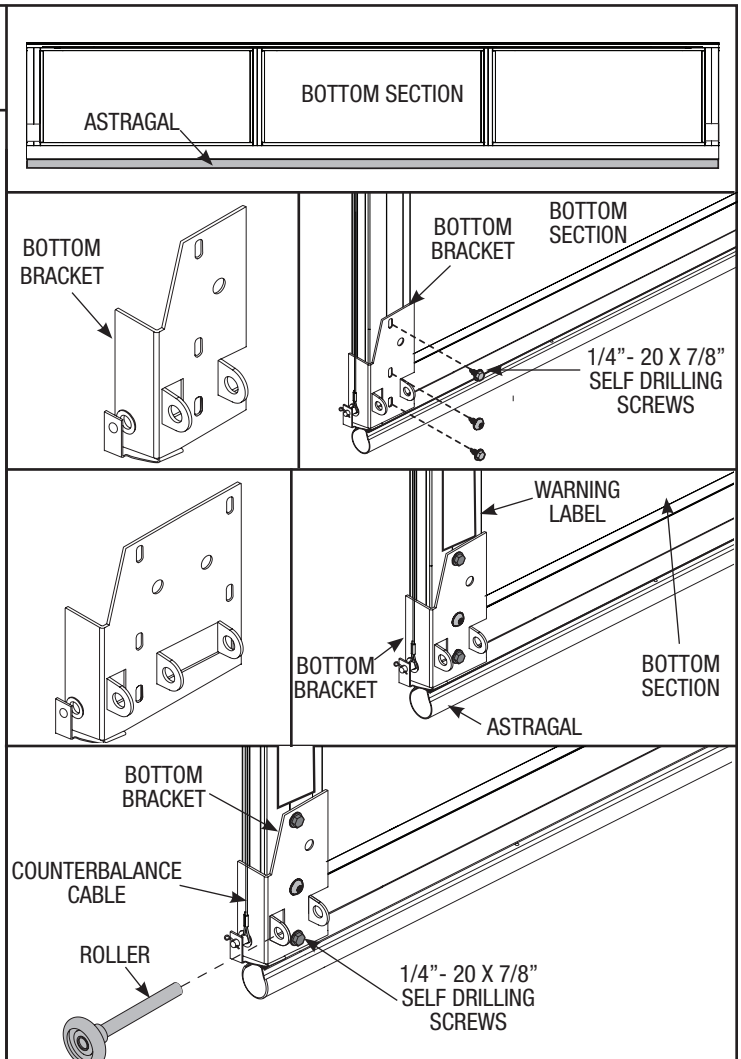
Bottom brackets are right and left hand. Locate the bottom section; place the left hand bottom bracket flush against the bottom left hand corner. Secure the bottom bracket to the section using (1) 1/4" x 5/8" tamper resistant self drilling screw and (2) 1/4" x 7/8" self drilling screws.

**NOTE:** Some doors use larger bottom brackets. Secure these bottom brackets using (1) 1/4" x 5/8" tamper resistant self drilling screw and 1/4" x 7/8" self drilling screws.

**NOTE:** All doors are provided with the tamper resistant fastener for the bottom brackets. However, the professional installer is most likely to have the proper tool to install this fastener. If the homeowner does not have the proper tool to install the tamper resistant fastener, use a regular 1/4" x 7/8" self drilling screw in its place.

Insert roller into the roller carrier.

Repeat for right hand side.





# 7

## Hinges

Tools Needed:  
Power Drill  
7/16" Socket Driver

**NOTE:** For door section identification see page 4.

Locate the bottom section, using #1 end hinges for the end stiles; depending on the width of your door enough #1 half hinges for each of the pre-drilled locations along the reinforcing fin.

**End Hinges:**

Place (1) #1 end hinge at the top left hand corner of the bottom section. Vertically align the slot/hole of the lower (numbered) leaf with the small groove in the end stile, and the center of the hinge with the top edge of the section. Secure the end hinge to the section using (2) 1/4" x 7/8" self drilling screws. Insert a roller into appropriate end hinge tube.

**IMPORTANT:** WHEN PLACING ROLLERS INTO END HINGES, THE ROLLER MUST BE INSERTED INTO THE TUBE FURTHEST AWAY FROM THE SECTION.

**NOTE:** If double end hinges are required, place the second end hinge on the inner end stile and secure using (2) 1/4" x 7/8" self drilling screw.

**NOTE:** Double end hinges will use long shaft rollers.

Repeat for right hand side.

**Half Hinges:**

Align the half hinge with the pre-drilled holes of the reinforcing fin, and secure the half hinge to the reinforcing fin using (2) 1/4" x 5/8" Carriage Bolts and (2) 1/4" Flanged Hex Nuts.

Repeat for each of the pre-drilled locations along the reinforcing fin.

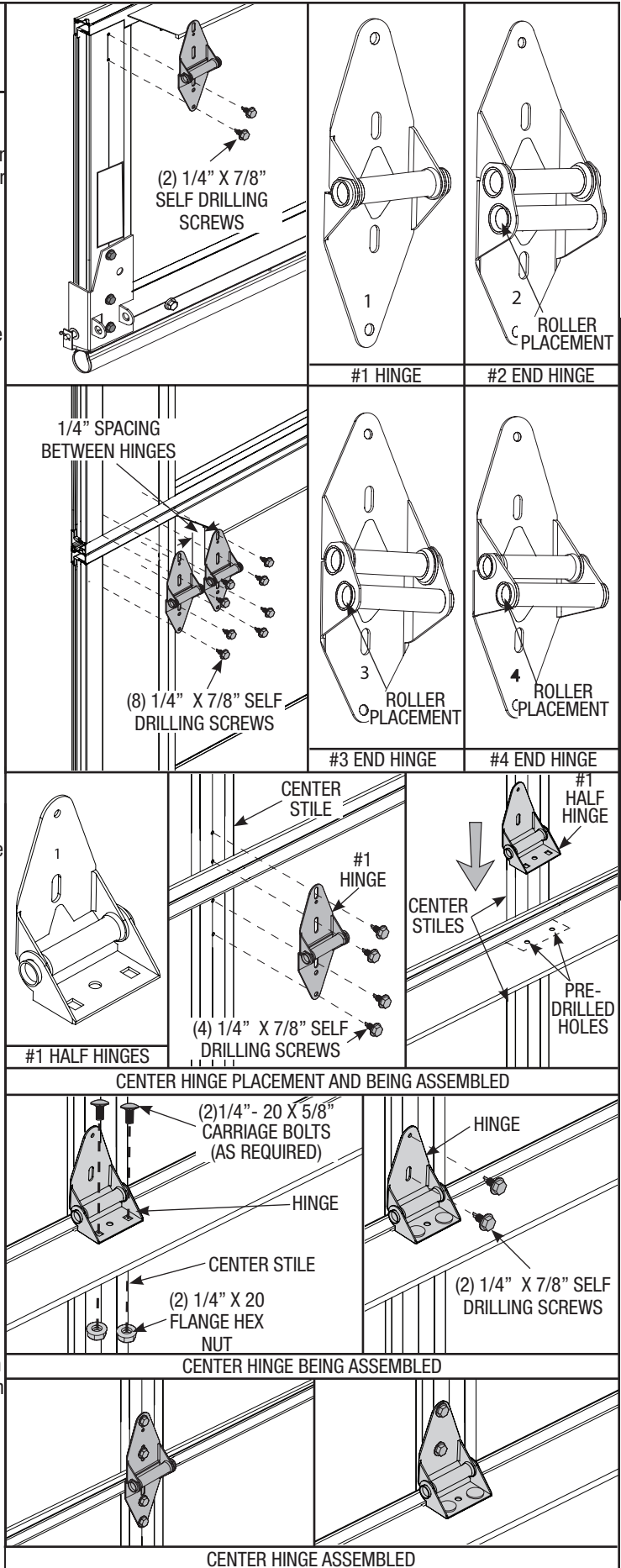
**Center Hinges:**

Place (1) #1 end hinge at each of the center stiles. Vertically align the slot/hole of the lower (numbered) leaf with the small groove in the center stiles, and the center of the hinge with the top edge of the section. Secure the center hinges to the section using (2) 1/4" x 7/8" self drilling screw.

Repeat for all sections EXCEPT THE TOP SECTION. Use #2 end hinges for the lock section (second), and enough #1 half hinges for each of the pre-drilled locations along the reinforcing fin of the second section.

Use #3 end hinges for the intermediate section (third section), and enough #1 half hinges for each of the pre-drilled locations along the reinforcing fin of the third section.

Use #4 end hinges for the intermediate section II (fourth section), and enough #1 half hinges for each of the pre-drilled locations along the reinforcing fin of the intermediate II section.



INSTALLATION



# 8

## Top Bracket

**Tools Needed:**  
Power Drill  
7/16" Socket Driver

**NOTE:** Top brackets are attached 1-3/4" down from the top edge of the top section..

**For single top brackets:**

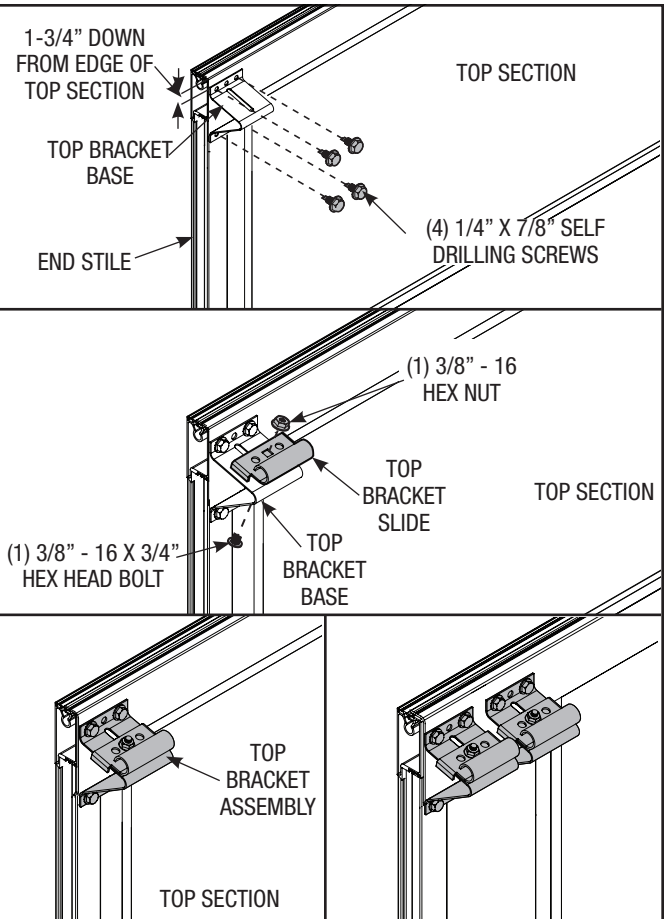
Place a top bracket onto the top left hand corner of the top section and down 1-3/4". Align the edge of the top bracket with the edge of the section, and secure using (2) 1/4" x 7/8" self drilling screws in the top door section rail and (2) 1/4" x 7/8" self drilling screws into the stile as shown. Place the top bracket slide on top of the top bracket base. Loosely secure the top bracket slide to the top bracket base using (1) 1/4 x 5/8" carriage bolt.

Repeat for the other side.

**For double top brackets:**

Position another top bracket next to the previously installed top bracket as shown. Leave space between the brackets to allow the top bracket slides to move freely. Secure the top bracket to the section using (2) 1/4" x 7/8" self drilling screws in the top door section rail and (2) 1/4" x 7/8" self drilling screws into the stile as shown. Place the top bracket slide on top of the top bracket base. Loosely secure the top bracket slide to the top bracket base using (1) 3/8" - 16 x 3/4" hex head bolt and a 3/8" x 16 hex nut.

Repeat for the other side.



# 9

## Lift Handle

**Tools Needed:**  
Tape Measure  
Pencil  
Power Drill  
9/32" Drill Bit  
1/2" Drill Bit  
1/4" Wrench  
Vice Clamps

**Bottom section**

Locate the center most stile of the bottom section of the door. On the inside of the door, center the lift handle vertically with the center stile; horizontally on the bottom section rail, and within 8" of the bottom of the section. Using the lift handle as a template, place a mark at each hole location onto the bottom section rail. Drill a 9/32" diameter through the section at each marked location. Be extremely careful to keep drill straight.

Assemble the outside and inside lift handle to the section using (4) 1/4" x 7/8" self drilling screws.

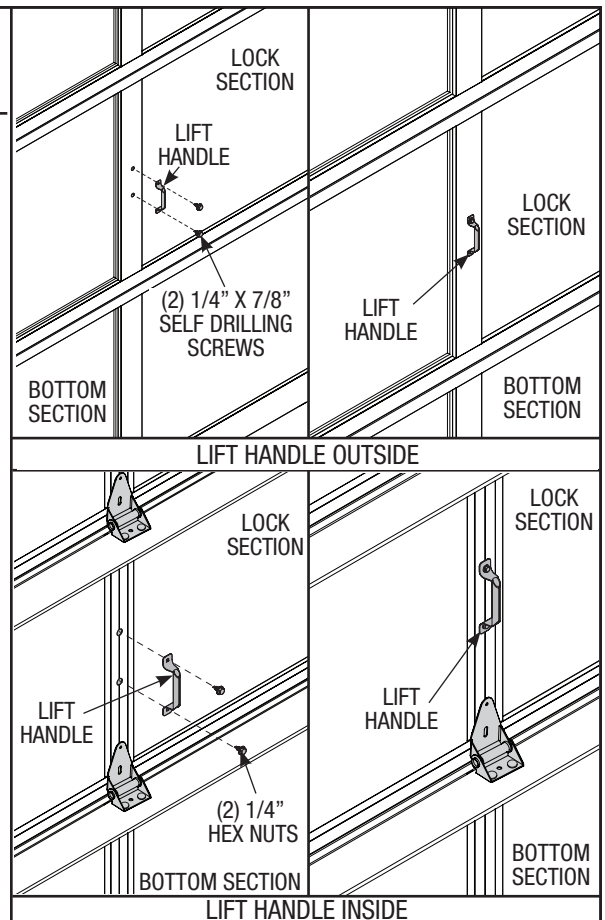
**Lock (2nd) section**

Locate the center most stile on the lock (2nd) section of the door. Position the lift handle's bottom hole 4" from the bottom of the lock (2nd) section. Center the lift handle vertically on the center stile and vertically align with the lift handle on the bottom section. Using the lift handle as a template, place mark at each hole location onto the center stile. Drill a 9/32" diameter through the section at each marked location. Be extremely careful to keep drill straight.

Assemble the outside and inside lift handle to the section using (4) 1/4" x 7/8".

**⚠ WARNING**

TO AVOID POSSIBLE INJURY, LIFT HANDLES THAT ARE INSTALLED WITHIN 4 INCHES OF A SECTION INTERFACE SHALL PROMOTE VERTICAL ORIENTATION OF THE HAND.

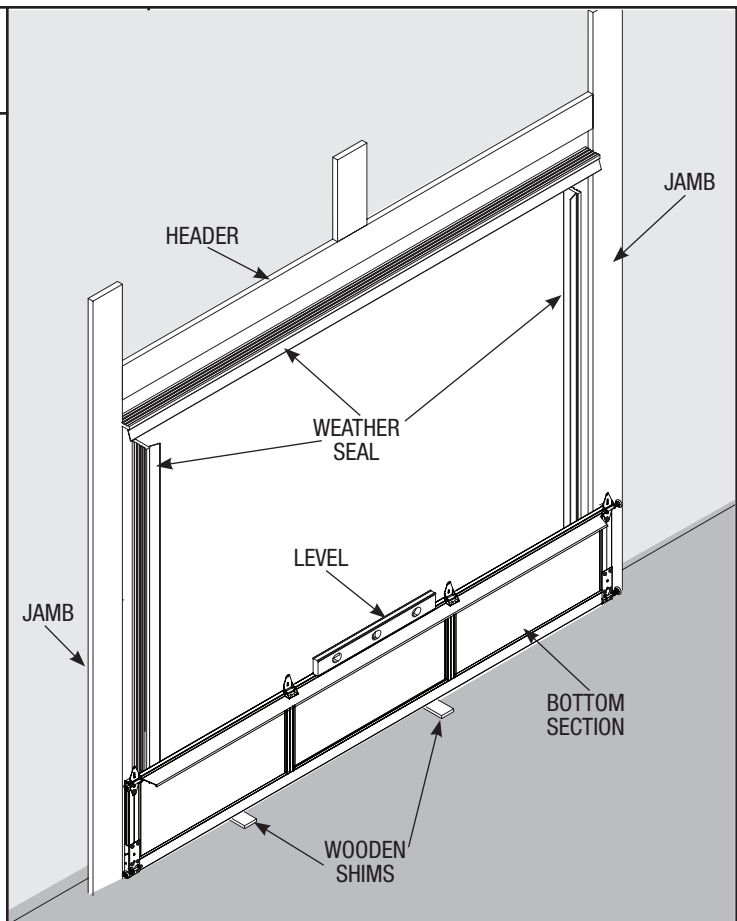


# 10

## Bottom Section

Tools Needed:  
Hammer  
Wood Shims

Center the bottom section in the door opening. Level section using wooden shims (if necessary) under the bottom section.



# 11

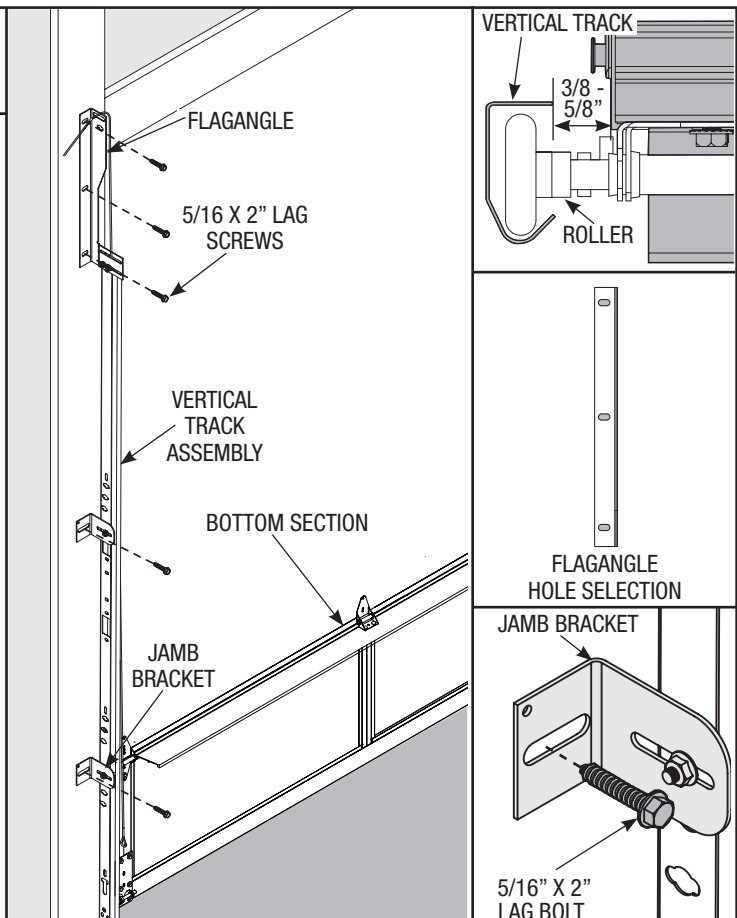
## Vertical Track and Wall Angle Installation

Tools Needed:  
3/16" Drill Bit  
Power Drill  
7/16" Socket Driver  
Tape Measure  
Level  
Step Ladder

**IMPORTANT:** THE TOPS OF THE VERTICAL TRACKS MUST BE LEVEL FROM SIDE TO SIDE. IF THE BOTTOM SECTION WAS SHIMMED TO LEVEL IT, THE VERTICAL TRACK ON THE SHIMMED SIDE, MUST BE RAISED THE HEIGHT OF THE SHIM.

Position the left hand vertical track assembly over the rollers of the bottom section. Make sure the counterbalance cable is located between the rollers and the door jamb. Drill 3/16" pilot holes for the lag screws.

Secure jamb brackets and flagangles to the jamb using 5/16 x 2" lag screws. Hang counterbalance cable over flagangle. Repeat for the right side.



Vertical Track and Wall Angle Installation Continued....	
<p><b>Tools Needed:</b></p> <p>Position the left hand vertical track assembly over the rollers of the bottom section. Make sure the counterbalance cable is located between the rollers and the door jamb. Drill 3/16" pilot holes for the lag screws. Loosely fasten the vertical track assembly to the jamb using 5/16" x 2" lag screws. Tighten bottom lag screw securing vertical track assembly to jamb, to maintain 5/8" spacing. Repeat for the right hand side.</p> <p>Tighten the 1/4" x 5/8" carriage bolts and 1/4" flange hex nuts of each clip plates.</p> <p>Hang counterbalance cables over vertical track assemblies.</p>	

12	Stacking Sections
<p><b>Tools Needed:</b></p> <p>Power Drill</p> <p>7/16" Socket Driver</p>	<p><b>NOTE:</b> For door section identification see page 4.</p> <p><b>NOTE:</b> Make sure hinges are flipped down, when stacking another section on top.</p> <p>With assistance, lift second section and guide roller into the left vertical track. Stack this section into the opening by hooking the roller into the left hand vertical track and lowering the section onto the bottom section, as shown. Insert a roller into the proper, uninstalled right hand end hinge, and place the roller into the right hand vertical track. Lower the roller and hinge into the proper position over the section, and attach to the section in the same manner the left hand end hinge was attached in step 7. Keeping the ends of the sections aligned, install remaining section(s), except top section, in same manner. Now flip up hinge leaf, hold tight against section, and fasten center hinges first, and end hinges last, using (2) 1/4" x 7/8" self drilling screws. Repeat for other section(s) except top section.</p> <p><b>IMPORTANT:</b> PUSH &amp; HOLD THE HINGE LEAF AGAINST SECTION WHILE SECURING WITH 1/4" X 5/8" SELF TAPPING SCREWS.</p> <p><b>NOTE:</b> Install lock at this time (sold separately) see instructions in <b>OPTIONAL SIDE LOCK INSTALLATION</b> on page 24.</p>

# 13

## Top Section

Hammer

Nail

Power Drill

7/16 Socket Driver

Tape Measure

Step Ladder

Place the top section in the opening and vertically align with lower sections.

Temporarily secure the top section by driving a nail in the header near the center of the door and bending it over the top section.

Now flip up hinge leaf against section, fastening center hinges first, and end hinges last. (Refer to Step 7).

When installing a door with a torsion counterbalance system, vertical track alignment is critical. Position flagangle between 1-11/16" (43 mm) to 1-3/4" (44 mm) from the edge of the door. Tighten the bottom lag screw. Flagangles must be parallel to the door sections.

Repeat for opposite side.

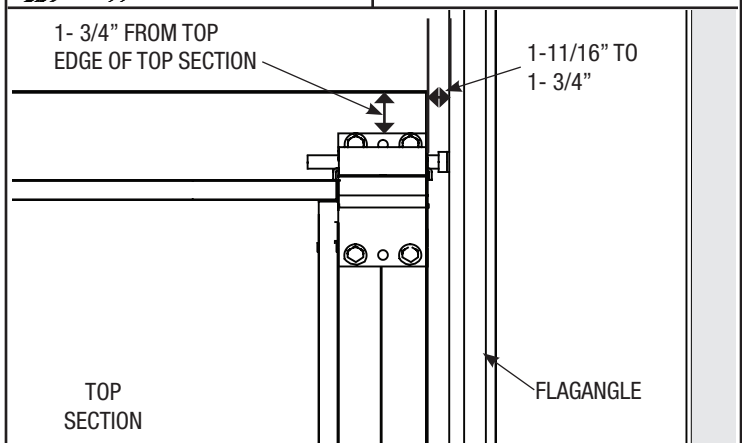
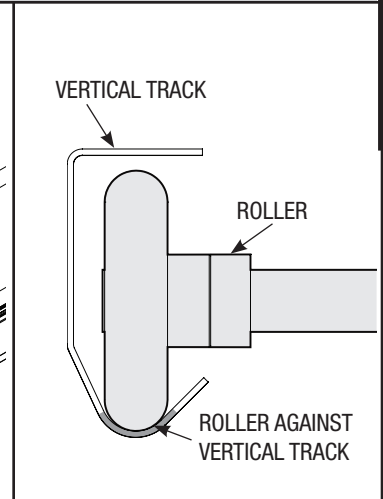
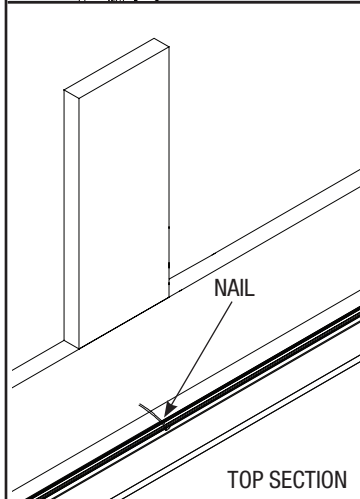
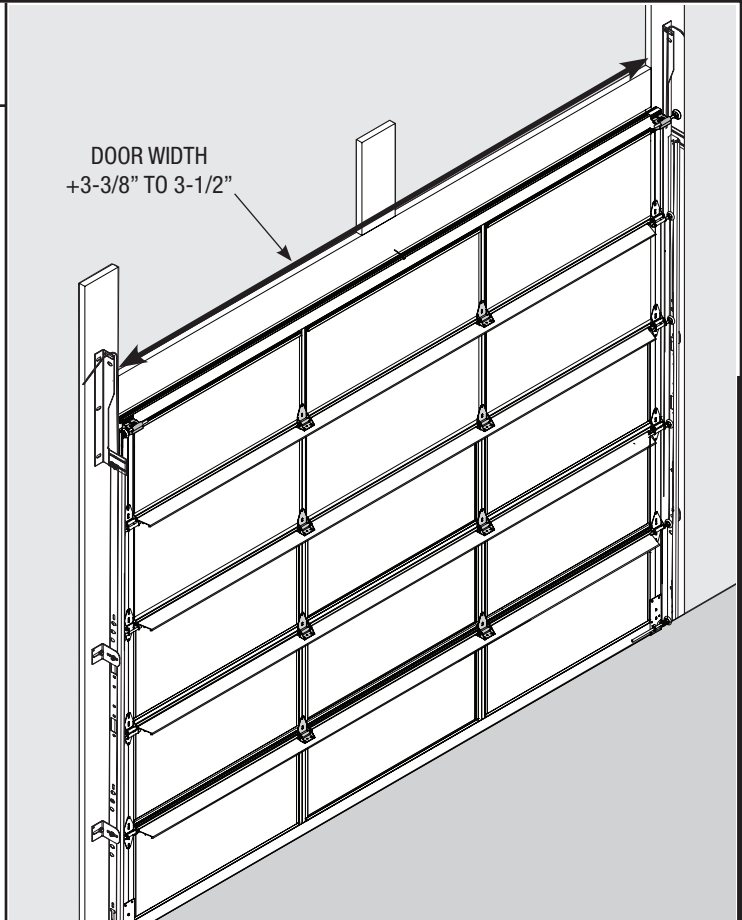
**IMPORTANT:** THE DIMENSION BETWEEN THE FLAGANGLES MUST BE DOOR WIDTH PLUS 3-3/8" (86MM) TO 3-1/2" (89 MM) FOR SMOOTH, SAFE DOOR OPERATION.

Complete the vertical track installation by securing the center jamb bracket(s) and tightening the other lag screws.

Push the vertical track against the rollers so that the rollers are touching the deepest part of the curved side of the track (see illustration). Tighten all the carriage bolts and nuts.

Repeat for opposite side.

DOOR WIDTH  
+3-3/8" TO 3-1/2"



# 14

## Attaching Horizontal Track to Adjustable Flagangle and Wall Angle

**Tools Needed:**

9/16" Socket

7/16" Socket

Ratchet Wrench

9/16" Wrench

Level

Hammer

Step Ladder

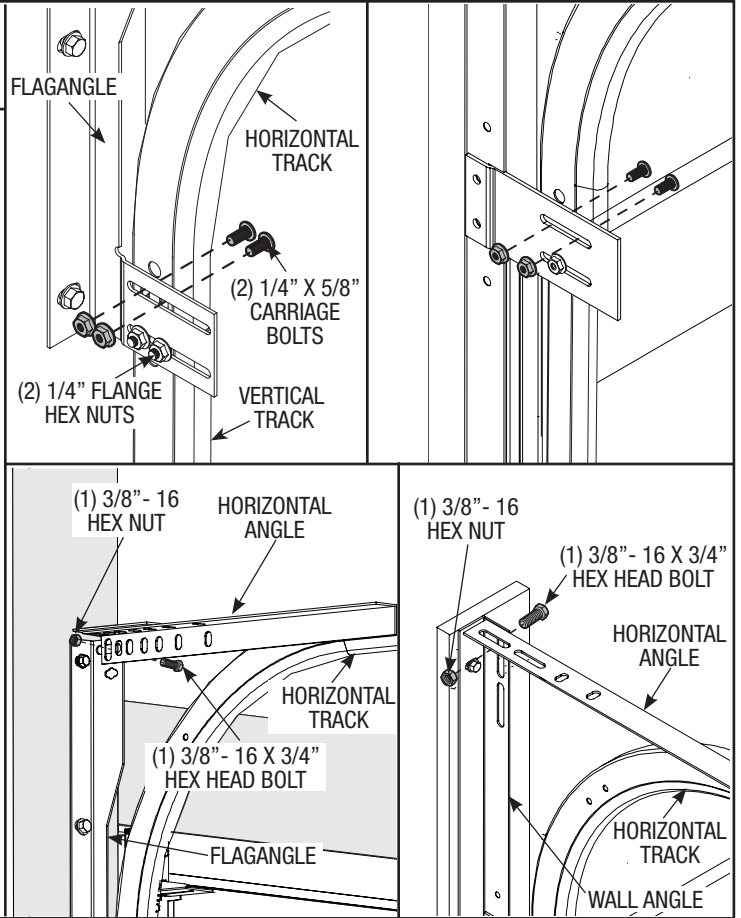
To install horizontal track, place the curved end over the top roller. Align the bottom of the horizontal track with the vertical track. Hand tighten the horizontal track to the flagangle/wall angle with (2) 1/4" - 20 x 5/8" carriage bolts and (2) 1/4" - 20 flange hex nuts.

Level the horizontal track assembly and bolt the horizontal angle to the slot in the flagangle/wall angle using (1) 3/8" - 16 x 3/4" hex head bolt and (1) 3/8" - 16 hex nut. Repeat for other side.

Remove the nail that was temporarily holding the top section in place, installed in Step 13.

**IMPORTANT: FAILURE TO REMOVE NAIL BEFORE ATTEMPTING TO RAISE DOOR COULD CAUSE PERMANENT DAMAGE TO TOP SECTION.**

**⚠ WARNING**  
DO NOT RAISE DOOR UNTIL HORIZONTAL TRACKS ARE SECURED AT REAR, AS OUTLINED IN STEP 23, OR DOOR COULD FALL FROM OVERHEAD POSITION CAUSING SEVERE OR FATAL INJURY.



# 15

## Adjusting Top Brackets

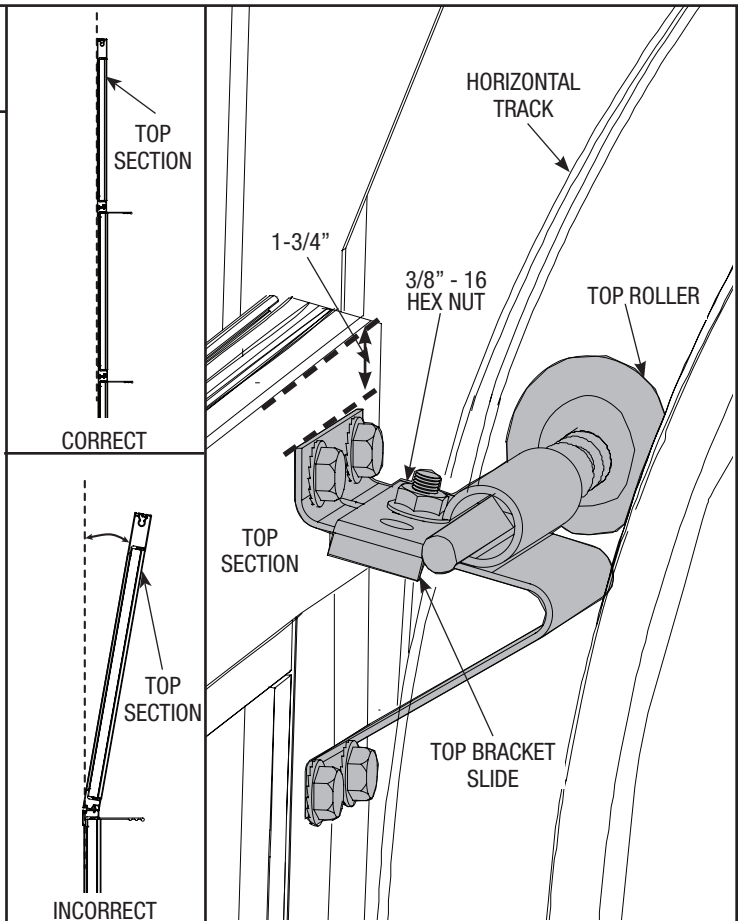
**Tools Needed:**

7/16" Wrench

Step Ladder

With tracks installed you can adjust the top brackets. Vertically align the top section of the door with the lower sections. Once aligned, position the roller in the top bracket slide, out against the horizontal track.

Maintaining the slide's position, tighten the (1) 3/8" - 16 hex nut to secure the top bracket slide to the top bracket base. Repeat for other side.





# 16

## Torsion End Bearing Brackets

Tools Needed:  
Power Drill

7/16" Socket  
Driver

9/16" Socket

Ratchet Wrench

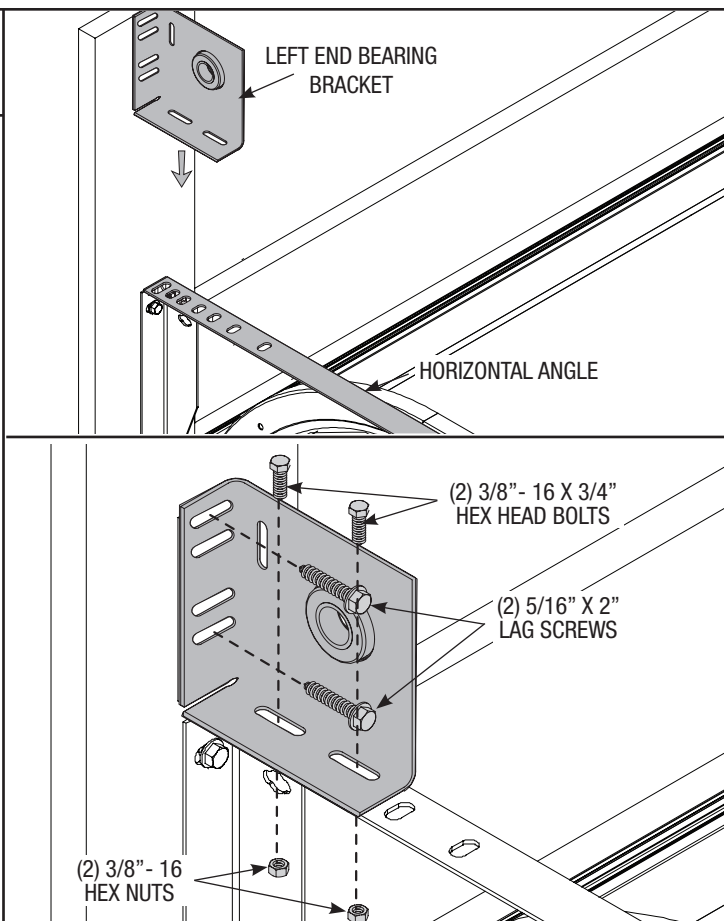
9/16" Wrench

Step Ladder

**IMPORTANT:** RIGHT AND LEFT HAND IS ALWAYS DETERMINED FROM INSIDE THE GARAGE LOOKING OUT.

End bearing brackets are right and left. Using the upper slots in the end bearing bracket, position above the flagangle and secure the end bearing bracket to the horizontal angle using (2) 3/8" - 16 x 3/4" hex head bolts and (2) 3/8" - 16 hex nuts.

Once the bracket is secured to the horizontal angle, secure the top of the end bearing bracket to the jamb using (2) 5/16" x 2" lag screws. Repeat for other side.



# 17

## Center Bearing Bracket

Tools Needed:

Power Drill

7/16" Socket  
Driver

Level

Tape Measure

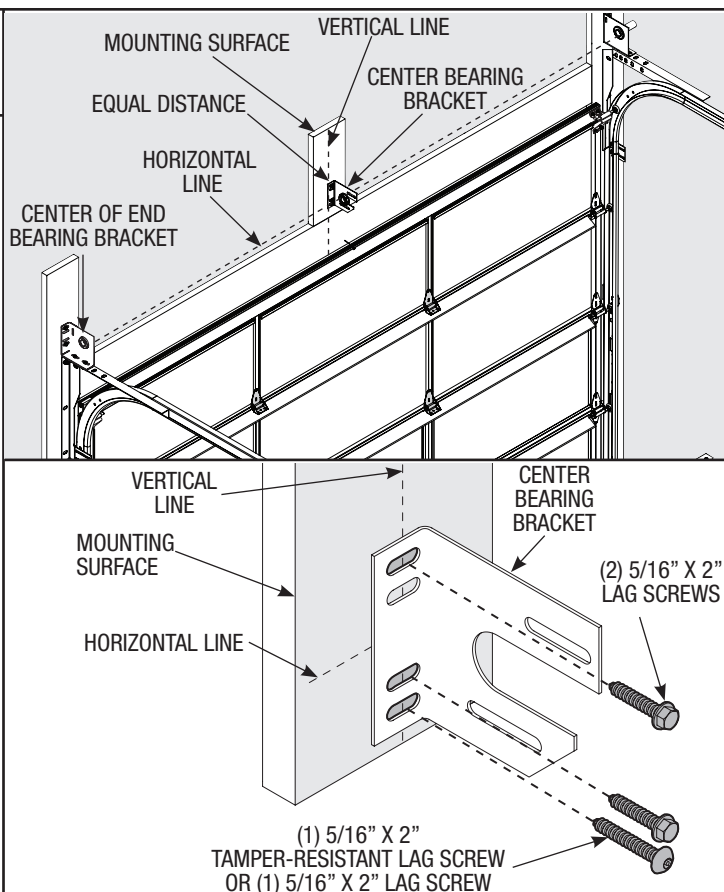
Pencil

1/4" Torx Bit

Step Ladder

Measure to locate the center of the door and mark a vertical pencil line on the mounting surface above the door, to indicate the center line of the door. Then, measure from the center of the bearing, in one of the end bearing brackets, DOWN to the top of the door. Using that dimension, measure UP from the top of the door and mark a horizontal pencil line on the mounting surface, intersecting the vertical pencil line. Now align the edge of the center bearing bracket along the vertical pencil line on the mounting surface. Center the bearing bracket on the horizontal line. This will ensure the torsion tube is level between the center and end bearing brackets. Attach the center bearing bracket, in this location, to the mounting surface, using (2) 5/16" x 2" lag screws and (1) 5/16" x 2" tamper-resistant lag screw.

**IMPORTANT:** USE THE 5/16" X 2" TAMPER-RESISTANT LAG SCREW ONLY IF MOUNTING SURFACE MOUNTED OVER MASONRY. TAMPER-RESISTANT LAG SCREW MUST BE ATTACHED THROUGH THE BOTTOM HOLE OF THE CENTER BEARING BRACKET.



# 18

## Torsion Spring Assembly

Tools Needed:  
none

**IMPORTANT:** RIGHT AND LEFT HAND IS ALWAYS DETERMINED FROM INSIDE THE GARAGE LOOKING OUT.

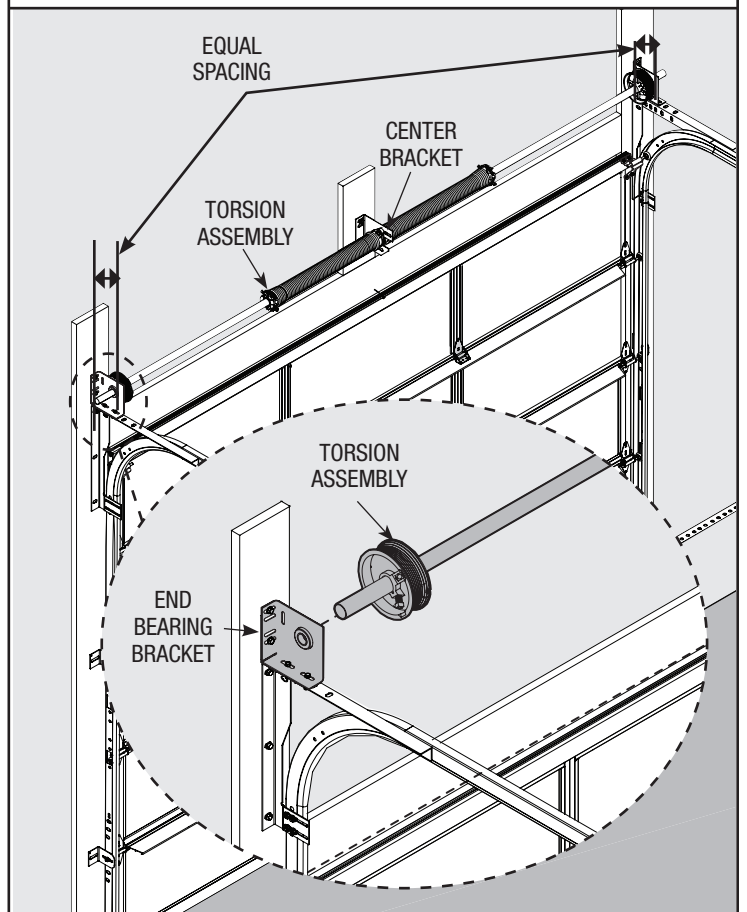
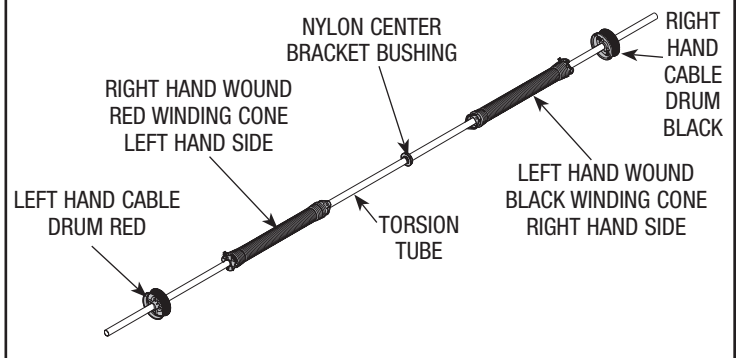
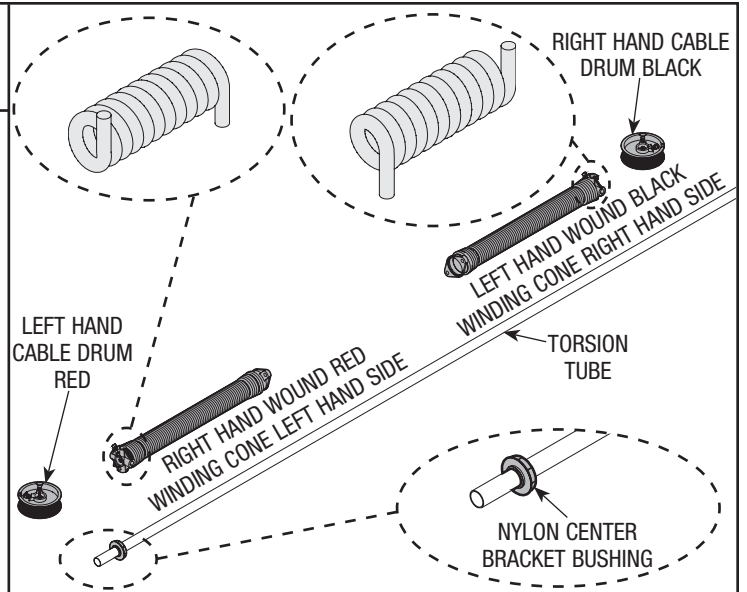
**NOTE:** Identify the springs provided as either right hand wound (red winding cone), which goes on the LEFT HAND SIDE or left hand wound (black winding cone), which goes on the RIGHT HAND SIDE.

Facing the inside of the door, lay the torsion tube on the floor. Lay the spring with the black color coded winding cone and the black color coded cable drum, at the right hand end of the tube. Lay the spring with the red color coded winding cone and the red color coded cable drum, at the left hand end of the tube.

**NOTE:** The set screws used on all torsion counterbalance winding cones and cable drums, are now colored red. DO NOT identify right and left hand by the set screw color.

Slide the nylon center bushing onto the torsion tube followed by the springs and cable drums. The nylon center bushing, springs and cable drums must be positioned, as shown.

With assistance, pick up the torsion assembly and slide one end of the tube through one end bearing bracket. Lay the torsion tube into the center bearing bracket and slide the other end of the tube into the opposite end bearing bracket. Position the torsion tube so that equal amounts of the tube extend from each end bearing bracket.





# 19

## Nylon Center Bushing

**Tools Needed:**

9/16" Socket

Ratchet Wrench

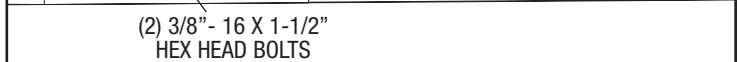
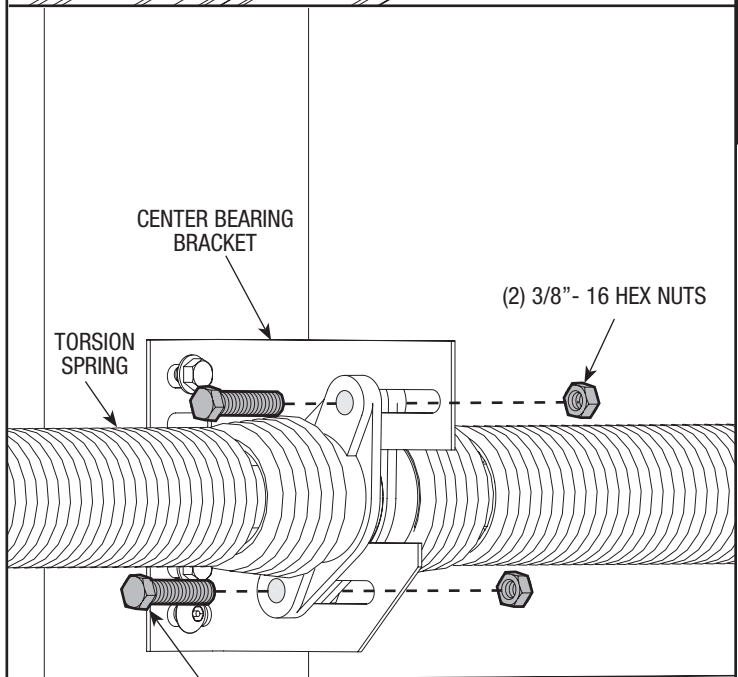
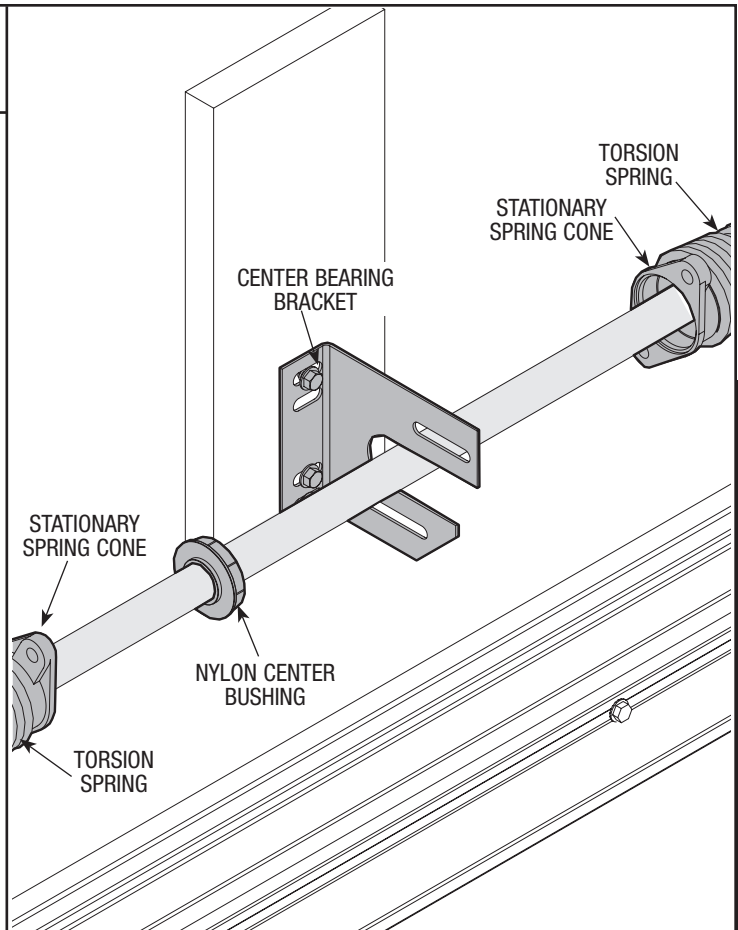
9/16" Wrench

Step Ladder

Slide the nylon center bushing into the stationary spring cone at the end of the spring and align the stationary spring cone(s) with the holes in the center bearing bracket. Secure the spring(s) to the center bearing bracket with (2) 3/8" - 16 x 1-1/2" hex head bolts and (2) 3/8" - 16 hex nuts.

**IMPORTANT:** SPRINGS UNDER TENSION CAN BE DANGEROUS.

**IMPORTANT:** THE SPRING WARNING TAG(S) SUPPLIED MUST BE SECURELY ATTACHED TO THE STATIONARY SPRING CONE IN PLAIN VIEW. SHOULD A REPLACEMENT SPRING WARNING TAG BE REQUIRED, CONTACT WAYNE-DALTON CORP. FOR FREE REPLACEMENTS.



INSTALLATION

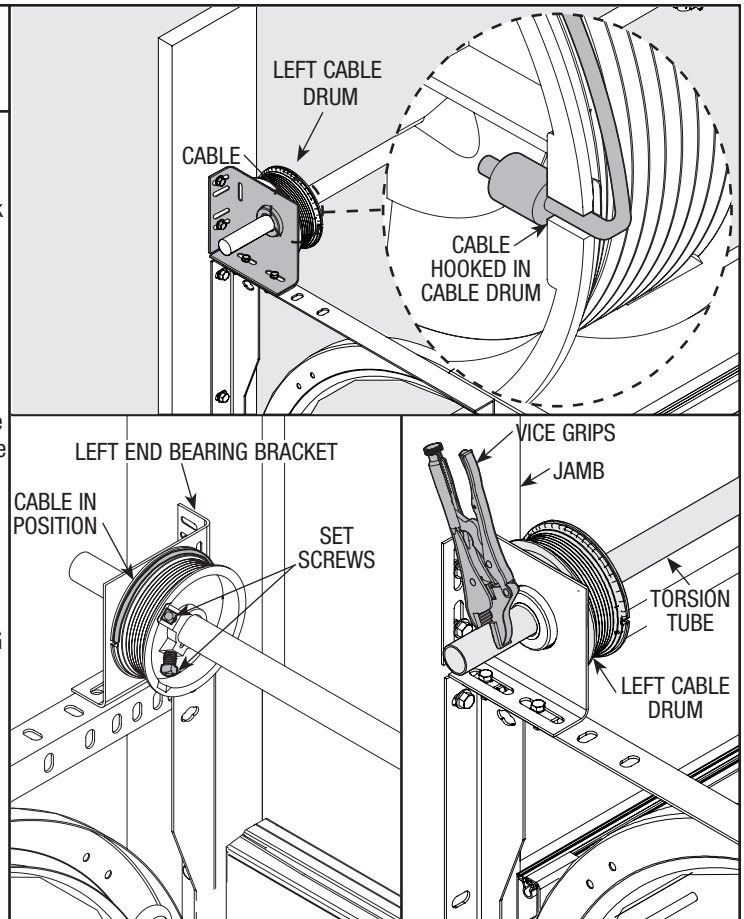
# 20

## Counterbalance Cables

Tools Needed:  
Vice Grips  
3/8" Wrench  
Step Ladder

Release the vice grips from the ends of the cables and thread the counterbalance cables around the back side of the cable drums and verify that there are no cable obstructions. Hook the cables into the drums. Slide the left hand cable drum against the left hand end bearing bracket and tighten the set screws in the drum to 14-15 ft. lbs. of torque (Once set screws contact the tube, tighten screws one full turn). Rotate the left hand drum and torsion tube until cable is taut. Attach vice grips to torsion tube and brace vice grips against jamb to keep cable taut. Slide the right hand cable drum against the right hand end bearing bracket and rotate drum until cable is taut. Tighten set screws in right hand cable drum to 14-15 ft. lbs. of torque (Once set screws contact the tube, tighten screws one full turn).

**IMPORTANT:** CHECK EACH CABLE, MAKING SURE BOTH ARE SEATED PROPERLY ON THE CABLE DRUMS AND HAVE EQUAL CABLE TENSION.



# 21

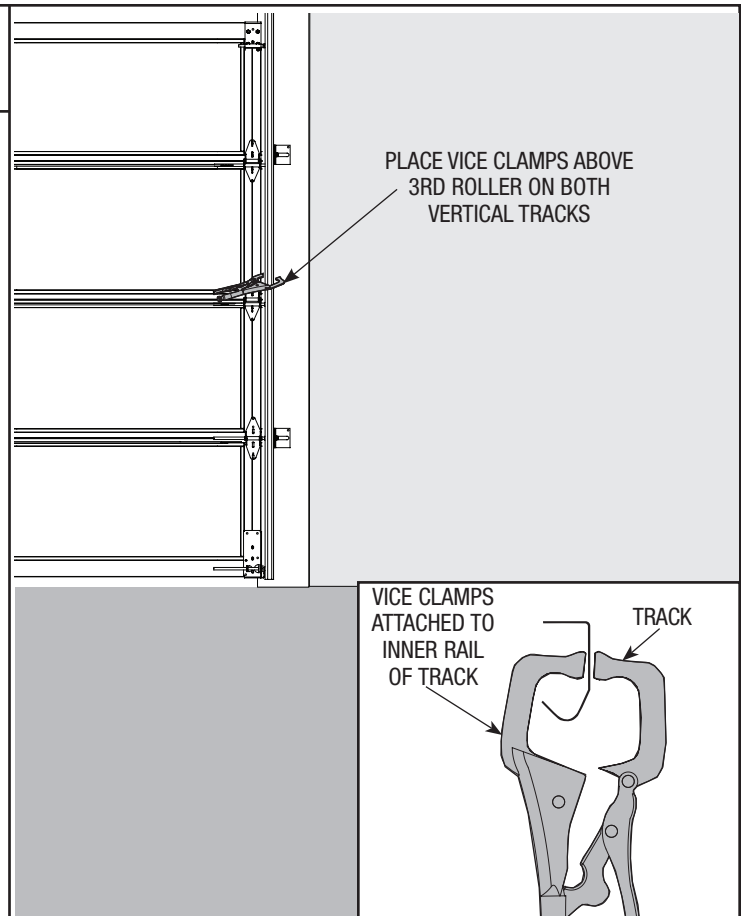
## Securing Door for Spring Winding

Tools Needed:  
(2) Vice Clamps

Place vice clamps onto both vertical tracks just above the third roller. This is to prevent the garage door from raising while winding torsion springs.

**⚠ WARNING**  
FAILURE TO PLACE VICE CLAMPS ONTO VERTICAL TRACK CAN ALLOW DOOR TO RAISE AND CAUSE SEVERE OR FATAL INJURY

**IMPORTANT:** DO NOT USE IMPACT GUN TO WIND SPRING(S).



# 22

## Winding Torsion Spring(s)

**Tools Needed:**

Power Drill

3/16" Drill Bit

7/16" Socket Driver

Phillips Head Screwdriver

Step Ladder

Position a ladder slightly to the side of spring so that the winding cone is easily accessible, yet your body is not in direct line with the winding bars. Check the label attached to the spring warning tag for the required number of complete turns to balance your door.

6'0" Door Height = Approx 7-1/8 Turns

6'3" Door Height = Approx 7-1/2 Turns

6'6" Door Height = Approx 7-3/4 Turns

6'9" Door Height = Approx 8 Turns

7'0" Door Height = Approx 8-1/4 Turns

7'3" Door Height = Approx 8-5/8 Turns

7'6" Door Height = Approx 8-7/8 Turns

7'9" Door Height = Approx 9-1/4 Turns

8'0" Door Height = Approx 9-1/2 Turns

### **⚠ WARNING**

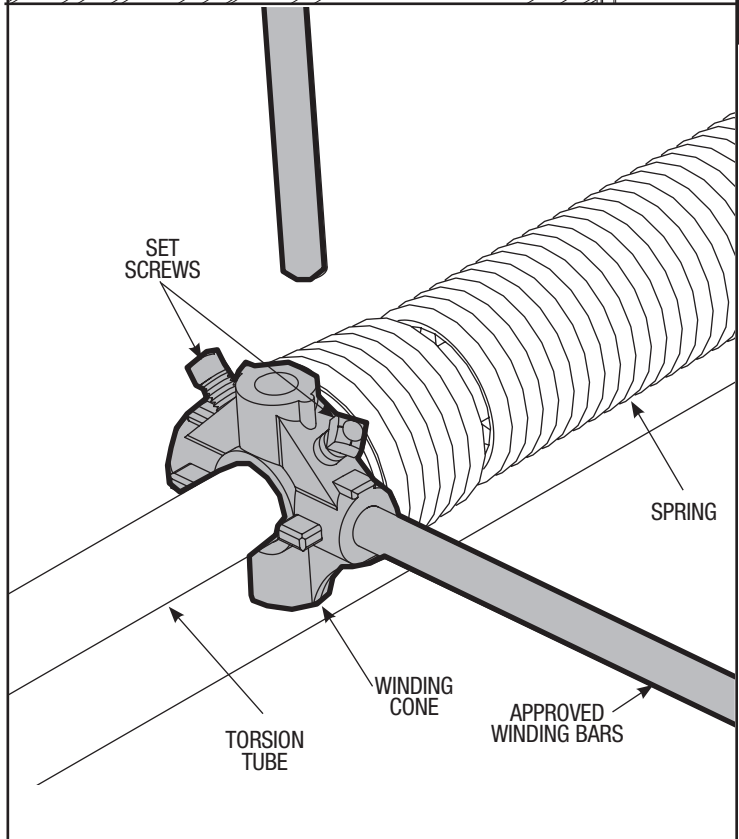
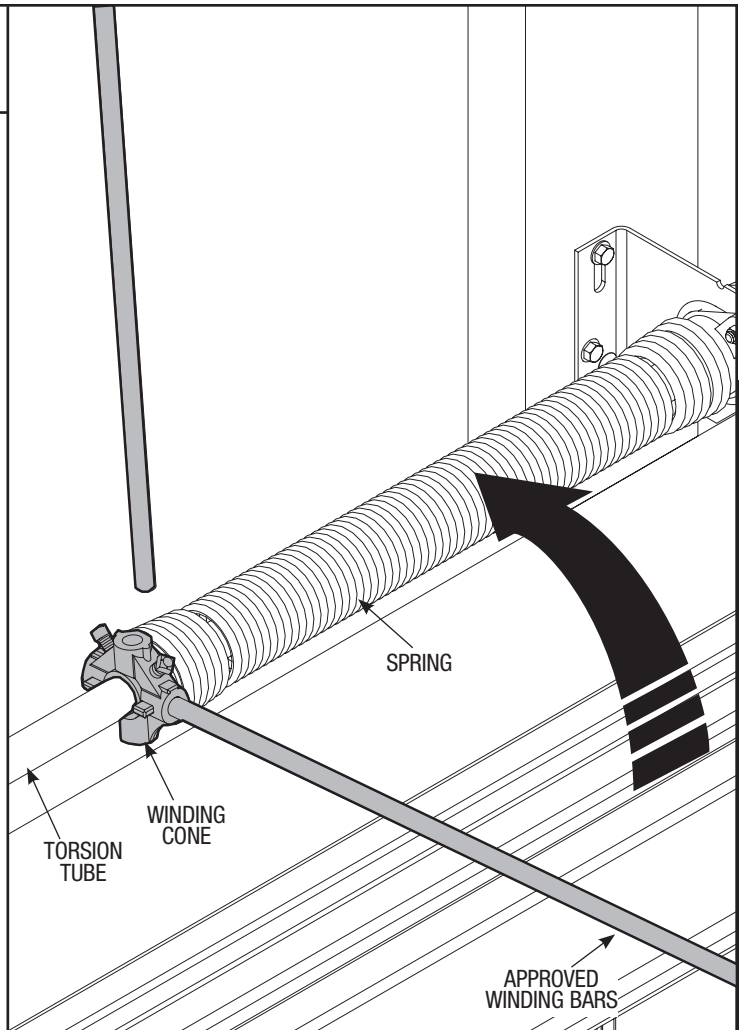
PRIOR TO WINDING OR MAKING ADJUSTMENTS TO THE SPRINGS, ENSURE YOU'RE WINDING IN THE PROPER DIRECTION AS STATED IN THE INSTALLATION INSTRUCTIONS. OTHERWISE, THE SPRING FITTINGS MAY RELEASE FROM SPRING IF NOT WOUND IN THE PROPER DIRECTION AND COULD RESULT IN SEVERE OR FATAL INJURY.

Alternately inserting the winding bars into the holes of the spring's winding cone, rotate the winding cone upward toward ceiling, 1/4 turn at a time, until the required number of complete turns for your door height is achieved. As the last 1/4 turn is achieved, securely hold winding bar while tightening both set screws in winding cone to 14-15 ft. lbs. of torque (Once set screws contact the tube, tighten screws one full turn).

Carefully remove winding bar from winding cone. Proceed to wind the second spring in the same manner. While holding the door down, to prevent it from rising unexpectedly, in the event the spring(s) were overwound, carefully remove the locking clamps from the torsion tube and the vertical tracks.

**IMPORTANT:** CAUTIOUSLY REMOVE LOCKING PLIERS FROM THE TORSION TUBE AND LOCKING CLAMPS FROM THE VERTICAL TRACKS.

Adjustments to the required from the number of turns stated may be necessary. If door raises off floor under spring tension alone, Reduce spring tension until door rests on the floor. If the door is hard to raise or drifts down on its own, add spring tension. An unbalanced door such as this can cause garage door opener operation problems.



# 23

## Rear Support

Tools Needed:  
Ratchet Wrench  
1/2" Socket  
1/2" Wrench  
(2) Vice Clamps  
Step Ladder

### **WARNING**

KEEP HORIZONTAL TRACK PARALLEL AND WITHIN 3/4" MAXIMUM OF DOOR EDGE, OTHERWISE DOOR COULD FALL, RESULTING IN SEVERE INJURY OR DEATH.

Raise the door until the top section and half of the next section are in a horizontal position. Do not raise door any further since rear of horizontal track is not yet supported.

### **WARNING**

RAISING DOOR FURTHER CAN RESULT IN DOOR FALLING AND CAUSE SEVERE INJURY OR DEATH.

Clamp a pair of vice clamps on the vertical tracks just above the second roller on one side, just below the second roller on the other side. This will prevent the door from raising or lowering while installing the rear support.

Using perforated angle, 5/16" x 1-5/8" hex head lag screws and 5/16" bolts with nuts (may not be supplied), fabricate rear support for horizontal tracks. Attach horizontal tracks to the rear supports with 5/16" - 18 x 1-1/4" hex bolts and nuts (may not be supplied). Horizontal tracks must be level and parallel with door.

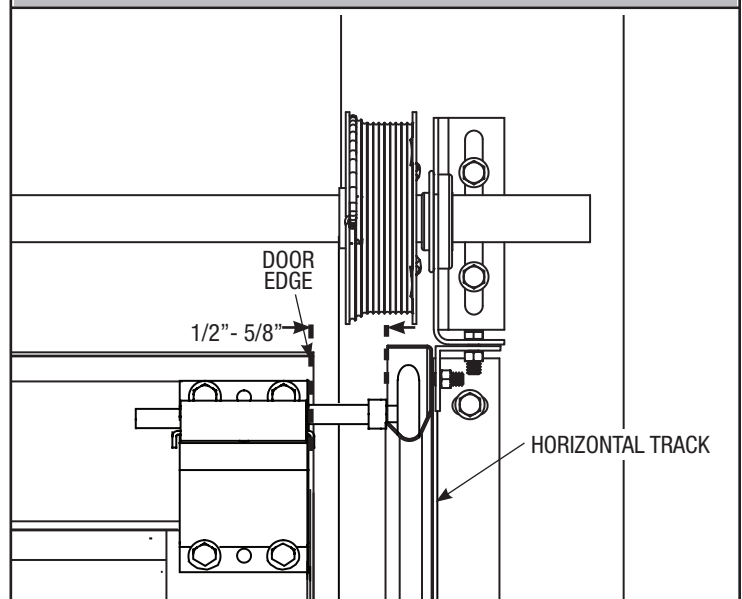
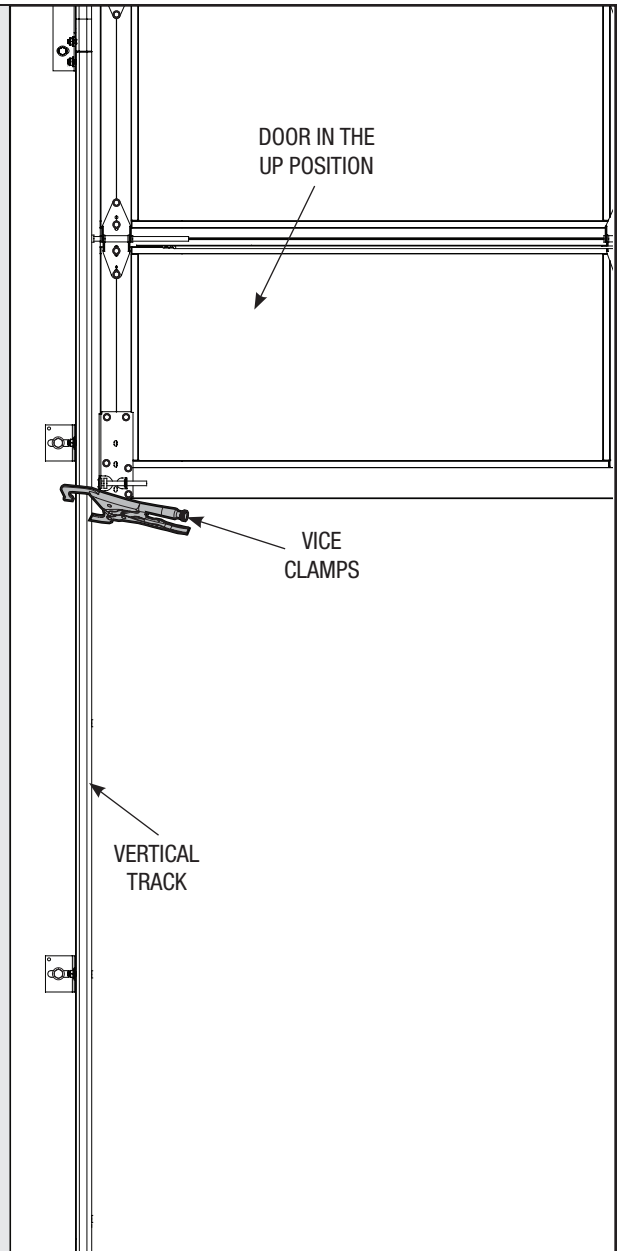
**NOTE:** If rear supports are to be installed over drywall, use 5/16" x 2" hex head lag screws and make sure lag screws engaged solid structural lumber.

**NOTE:** If an *idrive*® opener will be installed, position horizontal tracks one hole above level when securing it to rear supports.

Adjust weather seal (if necessary). Now permanently attach the weather seal to both door jambs and header. (Temporarily attached in PREPARING THE OPENING on page 6-7.) Avoid pushing weather seal too tightly against face of door.

### **WARNING**

PRIOR TO WINDING OR MAKING ADJUSTMENTS TO THE SPRINGS, ENSURE YOU'RE WINDING IN THE PROPER DIRECTION AS STATED IN THE INSTALLATION INSTRUCTIONS. OTHERWISE, THE SPRING FITTINGS MAY RELEASE FROM SPRING IF NOT WOUND IN THE PROPER DIRECTION AND COULD RESULT IN SEVERE OR FATAL INJURY.



## Rear Support Continued...

### Tools Needed:

To adjust spring tension, fully close door. Apply locking pliers to track above third roller. Insert a winding bar into the winding cone. Push upward on the winding bar while carefully loosening the set screws in the winding cone.

### **⚠ WARNING**

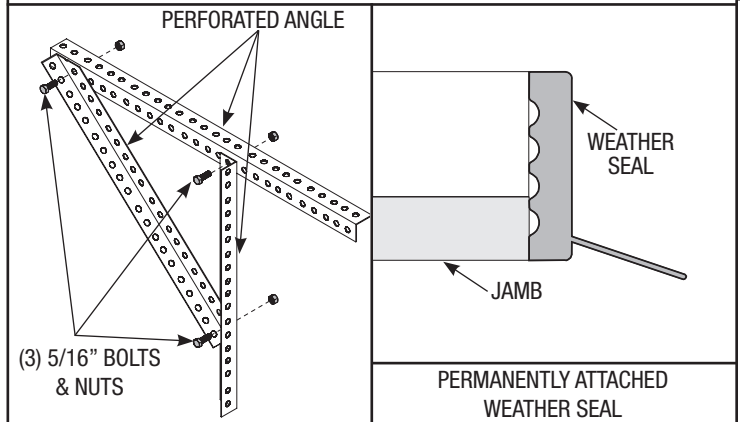
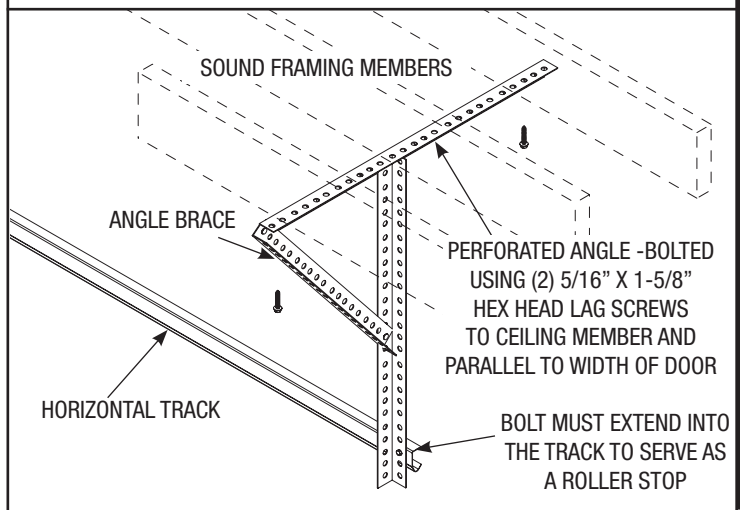
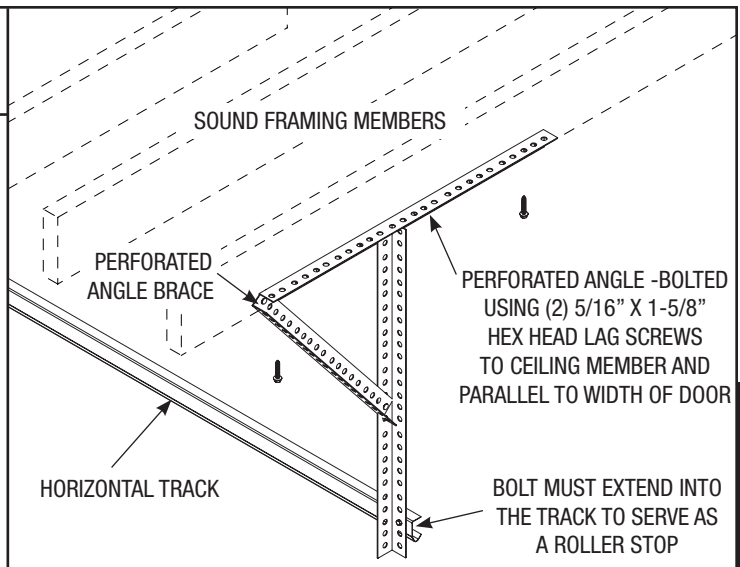
**BE PREPARED TO SUPPORT THE FULL FORCE OF THE TORSION SPRING ONCE THE SET SCREWS ARE LOOSE.**


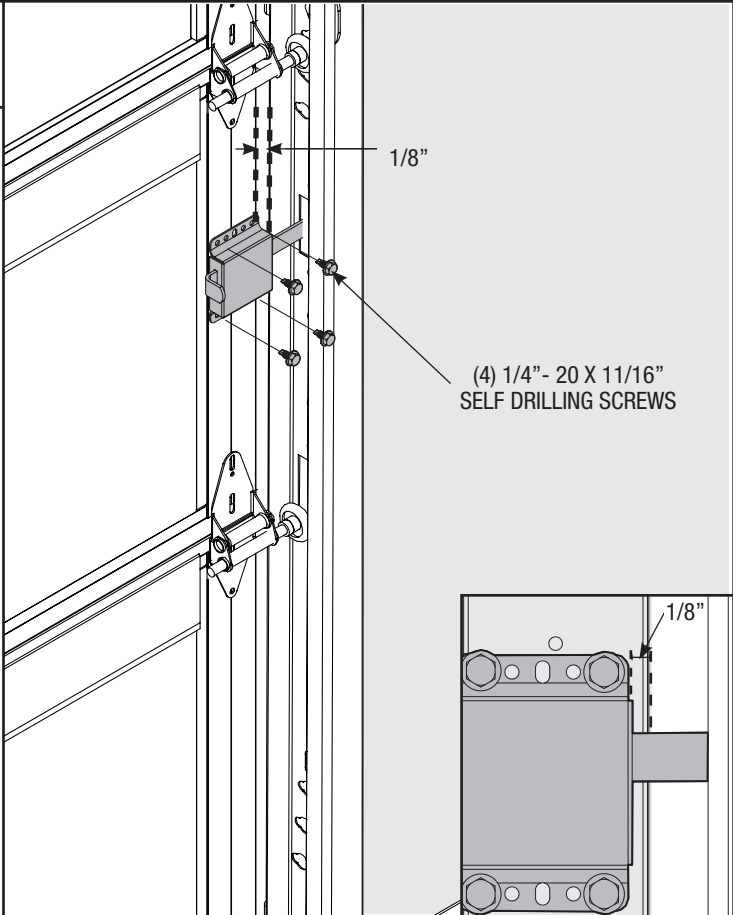
Carefully adjust spring tension 1/4 turn. Retighten both set screws in the winding cone and repeat for the other side. Recheck door balance DO NOT ADJUST MORE THAN 1/2 TURN FROM THE RECOMMENDED NUMBER OF TURNS. If door still does not balance correctly, contact a qualified door agency.


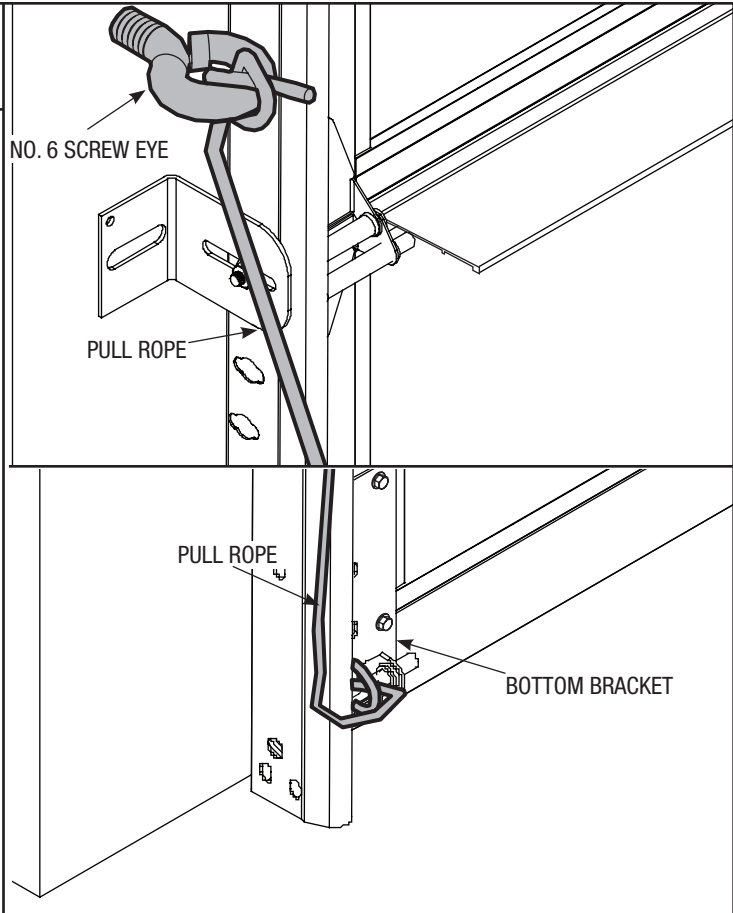
If the door still does not operate easily, lower the door into the closed position, UNWIND THE SPRING(S) FULLY (Refer to "P1" on page 5 "Removing an old door") and recheck the following items:

- 1.) Check the door for level.
- 2.) Check the torsion tube for level.
- 3.) Check the track spacing.
- 4.) Check the counterbalance cables for equal tension.
- 5.) Check the track for potential obstruction of the rollers.
- 6.) Clamp locking pliers onto track and rewind springs.

**IMPORTANT: IF DOOR STILL DOES NOT OPERATE PROPERLY, THEN CONTACT A QUALIFIED DOOR AGENCY.**



	<h3>Side Lock</h3>	
<p><b>Tools Needed:</b></p> <ul style="list-style-type: none"> <li>Power Drill</li> <li>7/16" Socket Driver</li> <li>Tape Measure</li> </ul>	<p>Install the side lock on the second section of the door. Secure the lock to the section with (4) 1/4" - 20 x 11/16" self drilling screws. Square the lock assembly with the door section and align with the square hole in the vertical track. The side lock should be spaced in approximately 1/8" from the section edge.</p> <p><b>IMPORTANT:</b> SIDE LOCKS MUST BE REMOVED OR MADE INOPERATIVE IN THE UNLOCKED POSITION IF AN OPERATOR IS INSTALLED ON THE DOOR.</p> <p><b>NOTE:</b> After completing this step, continue with step 12 on page 14.</p>	

	<h3>Pull Rope</h3>	
<p><b>Tools Needed:</b></p> <ul style="list-style-type: none"> <li>Power Drill</li> <li>1/8" Drill Bit</li> </ul>	<p><b>⚠ WARNING</b></p> <p><b>DO NOT INSTALL PULL ROPES ON DOORS WITH ELECTRIC OPERATORS. CHILDREN MAY BECOME ENTANGLED IN THE ROPE CAUSING SEVERE OR FATAL INJURY.</b></p> <p>Measure and mark the jamb approximately 48" to 50" (1220 to 1270 mm) from floor on the right or left side of door. Drill 1/8" pilot hole for No. 6 screw eye. Install the No. 6 screw eye. Tie the pull rope to the No. 6 screw eye and to the bottom bracket as shown.</p>	





## Trolley Operator

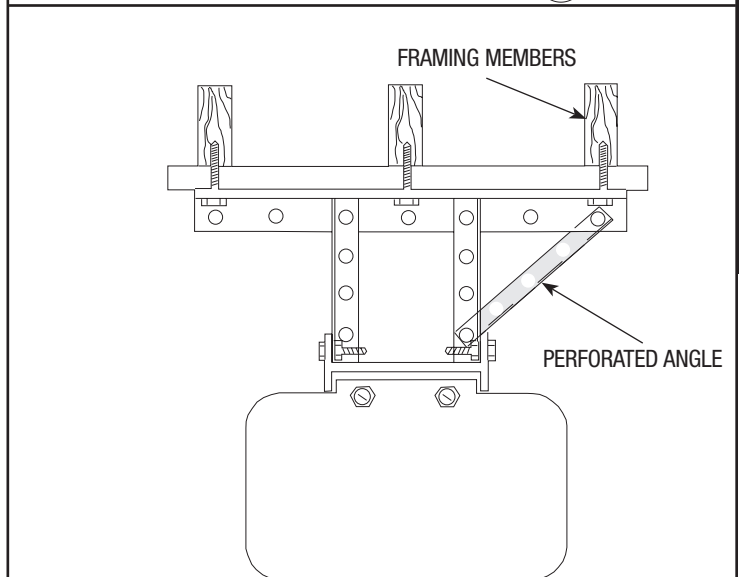
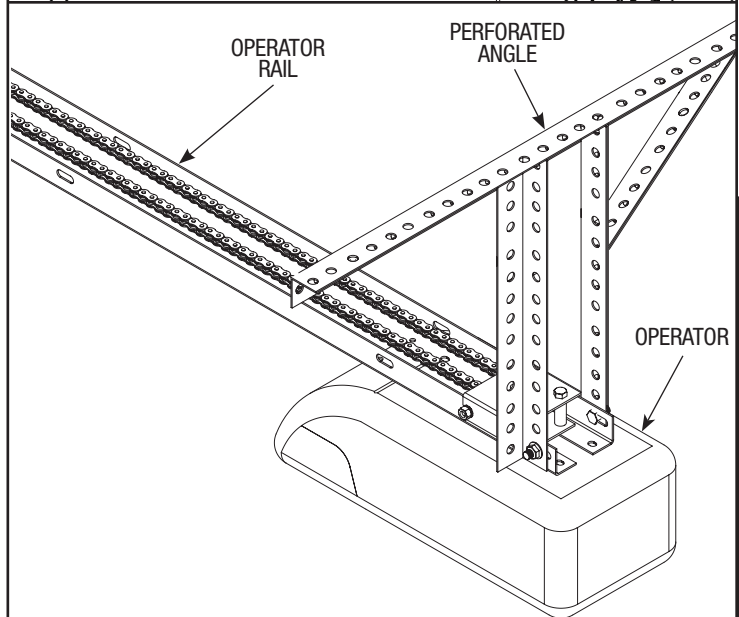
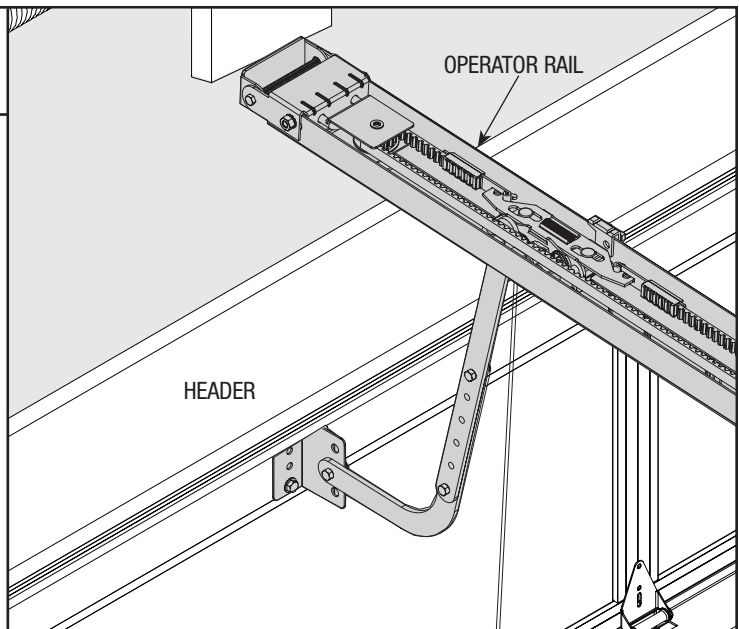
Tools Needed:  
Tape Measure  
Step Ladder

### **⚠ WARNING**

OPERATOR MUST BE TESTED AT TIME OF INSTALLATION AND MONTHLY THEREAFTER TO ENSURE THAT DOOR REVERSES ON CONTACT WITH 2 X 4 BOARD LAID FLAT UNDER THE DOOR. FAILURE TO ADJUST OPERATOR, IF NECESSARY, CAN RESULT IN SEVERE OR FATAL INJURY. IF YOUR OPERATOR IS EQUIPPED WITH A PHOTOELECTRIC EYE SYSTEM, THEN THIS MUST BE TESTED AT THE SAME TIME TO ENSURE THAT DOOR DOES NOT CLOSE AND A CLOSING DOOR OPENS IF PHOTOELECTRIC EYE SYSTEM IS OBSTRUCTED. FAILURE TO MAKE ADJUSTMENTS, IF NECESSARY, CAN RESULT IN SEVERE OR FATAL INJURY.

1. Install operator rail 1/2" to 1-1/2" (13 - 38 mm) above high arc of top section of the door.
2. Mount operator to ceiling so that 1" to 1-1/2" (25 - 38 mm) clearance is maintained between trolley rail and top section when door is fully open (trolley rail will slope down towards rear).
3. Attach door arm to operator bracket
4. Attach operator rail to suitable mounting surface, 2 x 6 lumber minimum.
5. Attach operator to ceiling using perforated angle.

**IMPORTANT:** ANGLES MUST BE SECURELY ATTACHED TO SOUND FRAMING MEMBER(S).



OPTIONAL INSTALLATION





## Cleaning

### Cleaning Your Garage Door

**IMPORTANT: DO NOT USE A PRESSURE WASHER ON YOUR GARAGE DOOR!**

While factory-applied finishes on garage doors are durable, it is desirable to clean them on a routine basis. Some discoloration of the finish may occur when a door has been exposed to dirt-laden atmosphere for a period of time. Slight chalking may also occur as a result of direct exposure to sunlight.

Cleaning the door will generally restore the appearance of the finish. To maintain an aesthetically pleasing finish of the garage door, a periodic washing of the garage door is recommended.

**The following cleaning solution is recommended:**

A mild detergent solution consisting of one cup detergent (with less than 0.5% phosphate) dissolved into five gallons of warm water will aid in the removal of most dirt.

**NOTE:** The use of detergents containing greater than 0.5% phosphate is not recommended for use in general cleaning of garage doors.

**NOTE:** Be sure to clean behind weather stripping on both sides and top of door.

**CAUTION: NEVER MIX CLEANSERS OR DETERGENTS WITH BLEACH.**

### GLASS CLEANING INSTRUCTIONS

Clean with a mild detergent solution (same as above) and a soft cloth. After cleaning, rinse thoroughly.

### ACRYLIC CLEANING INSTRUCTIONS

Clean acrylic glazing with nonabrasive soap or detergent and plenty of water. Use your bare hands to feel and dislodge any caked on particles. A soft, grit-free cloth, sponge or chamois may be used to wipe the surface. Do not use hard or rough cloths that will scratch the acrylic glazing. Dry glazing with a clean damp chamois.

**NOTE:** DO NOT USE any window cleaning fluids, scouring compounds, gritty cloths or solvent-based cleaners of any kind.

## Limited Warranty Model 8800

Subject to the terms and conditions contained in this Limited Warranty, Wayne-Dalton Corp. ("Manufacturer") warrants the sections of the door for **FIVE (5) YEARS** with the exception of the items that follow which is described at the top of this page. These exceptions will be warranted for a period of **ONE (1) YEAR** from the date of installation against:

- (i) Fading, cracking or chipping of the anodized or powder coated finish.
- (ii) Fogging or condensation forming inside of the insulated glass unit.
- (iii) Chipping, cracking, scratching, breaking, or discoloration of the glass due to defects in material or workmanship.

The Manufacturer will not be responsible for glass chipping, breaking, or cracking resulting from any circumstances beyond the direct control of the manufacture will not be covered under this warranty.

The Manufacturer warrants the garage door hardware (except springs) and the tracks of the above-described door, for a period of **FIVE (5) YEARS** from the date of installation, against defects in material and workmanship, subject to all the terms and conditions below.

The Manufacturer warrants those component parts of the door not covered by the preceding provisions of this Limited Warranty against defects in material and workmanship for a period of **ONE (1) YEAR** from the date of installation.

This Limited Warranty is extended only to the person who purchased the product and continues to own the premises (where the door is installed) as his/her primary residence ("Buyer"). This Limited Warranty does not apply to residences other than primary, or to commercial or industrial installations, or to installations on rental property (even when used by a tenant as a residence). This Limited Warranty is not transferable to any other person (even when the premises is sold), nor does it extend benefits to any other person. As a result this Limited Warranty does NOT apply to any person who purchases the product from someone other than an authorized Wayne-Dalton dealer or distributor.

The Manufacturer will not be responsible for any damage attributable to improper storage, improper installation, or any alteration of the door or its components, abuse, damage from corrosive fumes or substances, salt spray or saltwater air, fire, Acts of God, failure to properly maintain the door, or attempt to use the door, its components or related products for other than its intended purpose and its customary usage. This Limited Warranty does not cover ordinary wear. This Limited Warranty will be voided if any holes are drilled into the door, other than those specified by the Manufacturer.

THIS LIMITED WARRANTY COVERS A CONSUMER PRODUCT AS DEFINED BY THE MAGNUSON-MOSS ACT. NO WARRANTIES, EXPRESS OR IMPLIED (INCLUDING BUT NOT LIMITED TO THE WARRANTY OF MERCHANTABILITY OR FITNESS FOR A PARTICULAR PURPOSE) WILL EXTEND BEYOND THE TIME PERIOD SET FORTH IN **UNDERScoreD BOLD FACE TYPE** IN THIS LIMITED WARRANTY, ABOVE.

- Some States do not allow limitations on how long an implied warranty lasts, so the above limitations may not apply to you.

Any claim under this Limited Warranty must be made in writing, within the applicable warranty period, to the dealer from which the product was purchased. Unless the dealer is no longer in business, a written claim to the Manufacturer will be the same as if no claim had been made at all.

At the Manufacturer's option, pursuant to the dealer having notified the Manufacturer of a warranty claim, a service representative may inspect the product on site, or Buyer may be required to return the product to the Manufacturer at Buyer's expense. Buyer agrees to cooperate with any representative of the Manufacturer and to give such representative full access to the product with the claimed defect and full access to the location of its installation.

If the Manufacturer determines that the claim is valid under the terms of this Limited Warranty, the Manufacturer will cause the defective product to be repaired or replaced. The decision about the manner in which the defect will be remedied will be at the discretion of the Manufacturer, subject to applicable law. THE REMEDY WILL COVER ONLY MATERIAL. THIS LIMITED WARRANTY DOES NOT COVER OTHER CHARGES, SUCH AS FIELD SERVICE LABOR FOR REMOVAL, INSTALLATION, PAINTING, SHIPPING, ETC.

Any repairs or replacements arranged by Manufacturer will be covered by (and subject to) the terms, conditions, limitations and exceptions of this Limited Warranty; provided, however, that the installation date for the repaired or replaced product will be deemed to be the date the original product was installed, and this Limited Warranty will expire at the same time as if there had been no defect. If a claim under this Limited Warranty is resolved in a manner other than described in the immediately preceding paragraph, then neither this Limited Warranty nor any other warranty from the Manufacturer will cover the repaired or replaced portion of the product.

THE REMEDIES FOR THE BUYER DESCRIBED IN THIS LIMITED WARRANTY ARE EXCLUSIVE and take the place of any other remedy. The liability of the Manufacturer, whether in contract or tort, under warranty, product liability, or otherwise, will not go beyond the Manufacturer's obligation to repair or replace, at its option, as described above. THE MANUFACTURER WILL NOT UNDER ANY CIRCUMSTANCES BE LIABLE FOR SPECIAL, INCIDENTAL, OR CONSEQUENTIAL DAMAGES, including (but not limited to) damage or loss of other property or equipment, personal injury, loss of profits or revenues, business or service interruptions, cost of capital, cost of purchase or replacement of other goods, or claims of third parties for any of the foregoing.

- Some States do not allow the exclusion or limitation of incidental or consequential damages, so the above limitation or exclusion may not apply to you.

No employee, distributor, dealer, representative, or other person has the authority to modify any term or condition contained in this Limited Warranty or to grant any other warranty on behalf of or binding on the Manufacturer, and anyone's attempt to do so will be null and void.

Buyer should be prepared to verify the date of installation to the satisfaction of the Manufacturer.

The rights and obligations of the Manufacturer and Buyer under this Limited Warranty will be governed by the laws of the State of Ohio, USA, to the extent permitted by law.

- This Limited Warranty gives you specific legal rights and you may also have other rights, which may vary from State to State.

---

**Please Do Not Return This Product To The Store**

Product may be covered by one or more patents.  
See [www.wayne-dalton.com/patents](http://www.wayne-dalton.com/patents) for details.

Thank you for your purchase