

# LIGHT CURTAIN INSTRUCTIONS FOR ADV-X MODELS 880, 881, 882, 883, 884, AND 885



This installation manual provides a trained door technician information required to install light curtains.  
**READ COMPLETE INSTRUCTIONS BEFORE PROCEEDING WITH REPAIR.**

Refer to the Door Installation Instructions for additional safety warnings and precautions and as a reference for any items that are not addressed by this document.  
Installation Manuals can be accessed at <https://www.Wayne-Dalton.com/Documents>.

This manual is intended **ONLY** for professional use by a trained door systems technician.

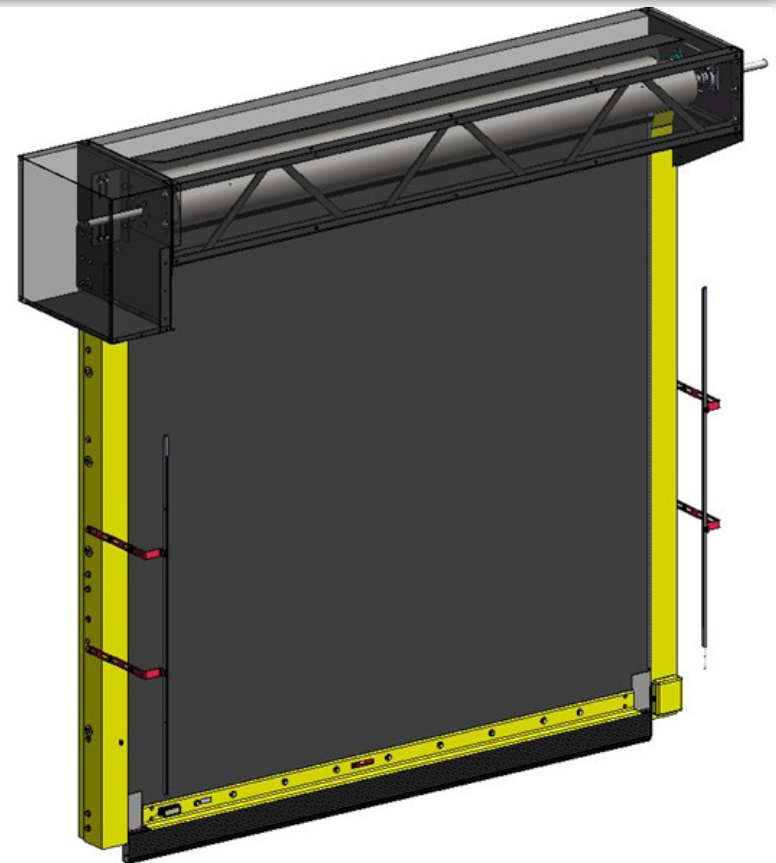
## **⚠ WARNING**

**FOLLOW THE STANDARD WORK BELOW WHEN INSTALLING THE LIGHT CURTAINS. FAILURE TO DO SO MAY RESULT IN SEVERE OR FATAL INJURY.**

- Refer to your Door Installation Instructions for additional safety warnings and precautions. Manual may also be used as a reference for any items that are not addressed by this document.
- Door should be in the fully closed position for this project.

## **⚠ WARNING**

**YOUR SAFETY AND THE SAFETY OF OTHERS DEPENDS ON YOU READING THE INFORMATION IN THIS MANUAL. IF YOU HAVE ANY QUESTIONS OR DO NOT UNDERSTAND THE INFORMATION PRESENTED, CALL TECHNICAL SUPPORT AT 1-800-764-1457 (OPTION 2).**



# SECTION 1 - SAFETY INFORMATION

## IMPORTANT SAFETY INSTRUCTIONS

### ⚠ WARNING

**ADVANCED PERFORMANCE SERVICE DOORS ARE LARGE, HEAVY OBJECTS THAT MOVE WITH THE HELP OF ELECTRIC MOTORS. SINCE MOVING OBJECTS AND ELECTRIC MOTORS CAN CAUSE INJURIES, YOUR SAFETY AND THE SAFETY OF OTHERS DEPENDS ON YOU READING THE INFORMATION IN THIS MANUAL. IF YOU HAVE ANY QUESTIONS OR DO NOT UNDERSTAND THE INFORMATION PRESENTED, YOU SHOULD CONSULT A LICENSED PROFESSIONAL.**

**DEFINITION OF KEY WORDS USED IN THIS MANUAL:**

### ⚠ DANGER

**INDICATES A HAZARDOUS SITUATION THAT, IF NOT AVOIDED, WILL RESULT IN DEATH OR SERIOUS INJURY.**

### ⚠ WARNING

**INDICATES A HAZARDOUS SITUATION THAT, IF NOT AVOIDED, COULD RESULT IN DEATH OR SERIOUS INJURY.**

### ⚠ CAUTION

**INDICATES A HAZARDOUS SITUATION THAT, IF NOT AVOIDED, COULD RESULT IN MINOR OR MODERATE INJURY.**



### NOTICE

INDICATES INFORMATION CONSIDERED IMPORTANT, THAT IT IS NOT RELATED TO INJURY, BUT MAY RESULT IN PROPERTY DAMAGE.

**IMPORTANT:** Required key step for proper door operation.

**NOTE:** Information only.

1. Read manual and warnings carefully.
2. Keep the door in good working condition.
3. This door is equipped with a sensing edge, check sensing edge operations daily. Make any necessary repairs to keep it functional.
4. All models are equipped with an overcurrent device. This must be manually reset following an overcurrent condition.
5. Keep instructions in a prominent location near the Control Panel.

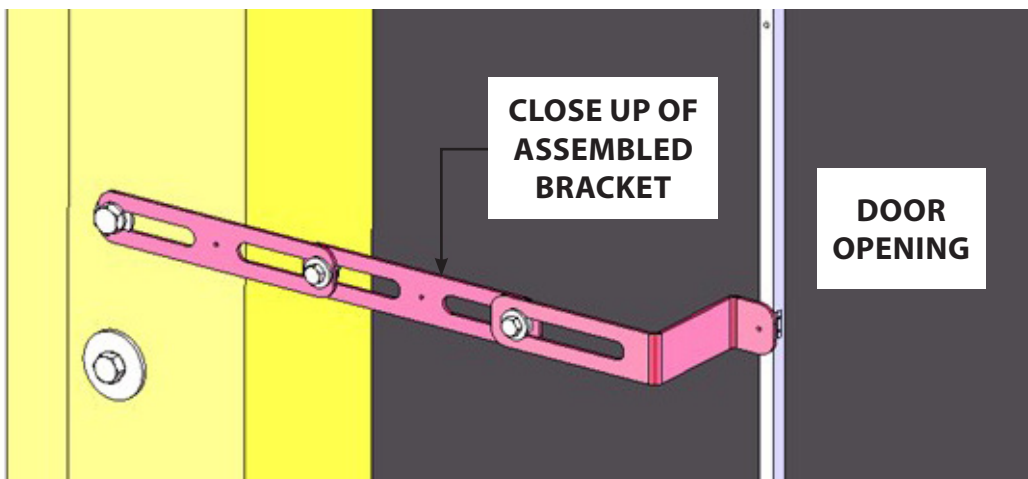
POTENTIAL HAZARD	EFFECT	PREVENTION
 MOVING DOOR	<b>⚠ WARNING</b> CAN CAUSE SERIOUS INJURY OR DEATH	Do <b>NOT</b> operate unless the doorway is in sight and free of obstructions. Keep people clear of opening while door is moving. Do <b>NOT</b> change control to momentary contact unless an external reversing means is installed. Do <b>NOT</b> operate a door that jamps.
 ELECTRICAL SHOCK	<b>⚠ WARNING</b> CAN CAUSE SERIOUS INJURY OR DEATH	Turn <b>OFF</b> electrical power before removing Control Panel or motor cover. When replacing Control Panel cover make sure wires are <b>NOT</b> pinched or near moving parts. Operator must be electrically grounded.

## SECTION 2 - INSTALLATION

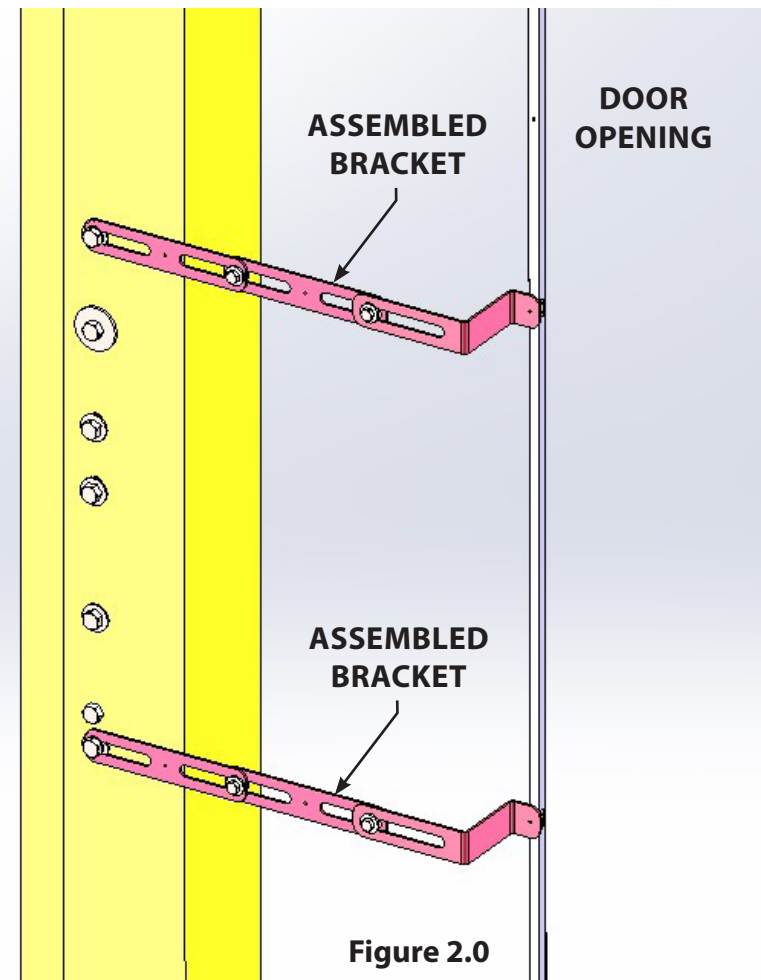
- 840610 Light curtains are available in 3 foot and 6 foot models.
- The electronics of the light curtains are available in one model, SG 17.
- The 3 foot and 6 foot light curtains connect the same electrically.
- Curtain beam patterns are illustrated in appendix 1.
- Curtain can be placed in front of or behind the door curtain.
- The series is marked on the back of the light curtain as well as transmitter/receiver. Example, SGT-17 or SGR-17.
- Receiver (SGR grey cable) should be placed near the controller and the transmitter (SGT black cable) should be placed on the far side of the door.

### **INSTALLING LIGHT CURTAIN BRACKETS (KIT 825707.0001)**

- Bracket system is designed to allow installation for a variety of door systems.
- Light curtain clips may be installed anywhere along the light curtain vertically.
- Horizontal distance may be set using the slots in the brackets or adding / subtracting pieces to the example below.
- Light curtain receiver and transmitter must be aimed at each other with an unobstructed path when the door is open to function correctly.
- Turn power off to prevent the door moving unexpectedly while servicing.
- See Figure 1.0 and Figure 2.0



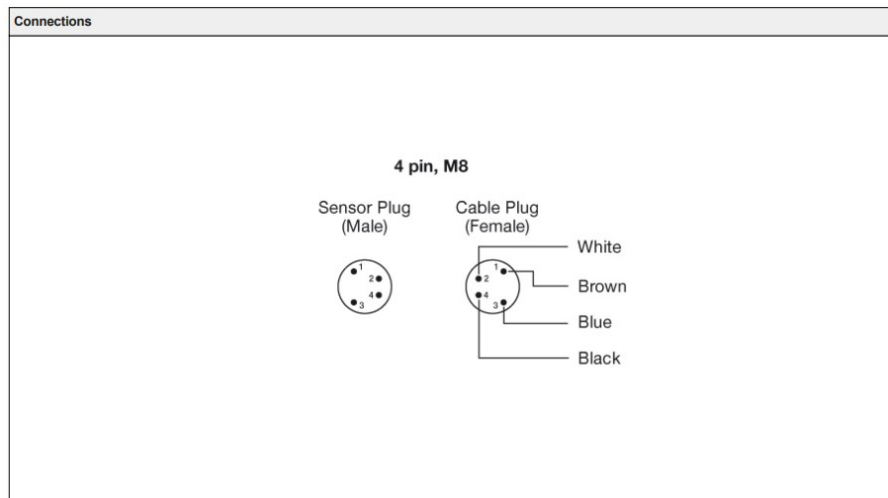
**Figure 1.0**



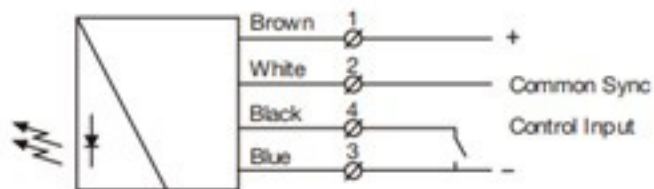
**Figure 2.0**

# SECTION 3 - CONNECTOR WIRING

## CONNECTING ADV-X DOORS



TRANSMITTER CONNECTIONS:	RECEIVER CONNECTIONS:
Brown +24V	Brown +24V
White Transmitter White	White Receiver White
Black N/C	Black Programmable input
Blue 0V	Blue 0V

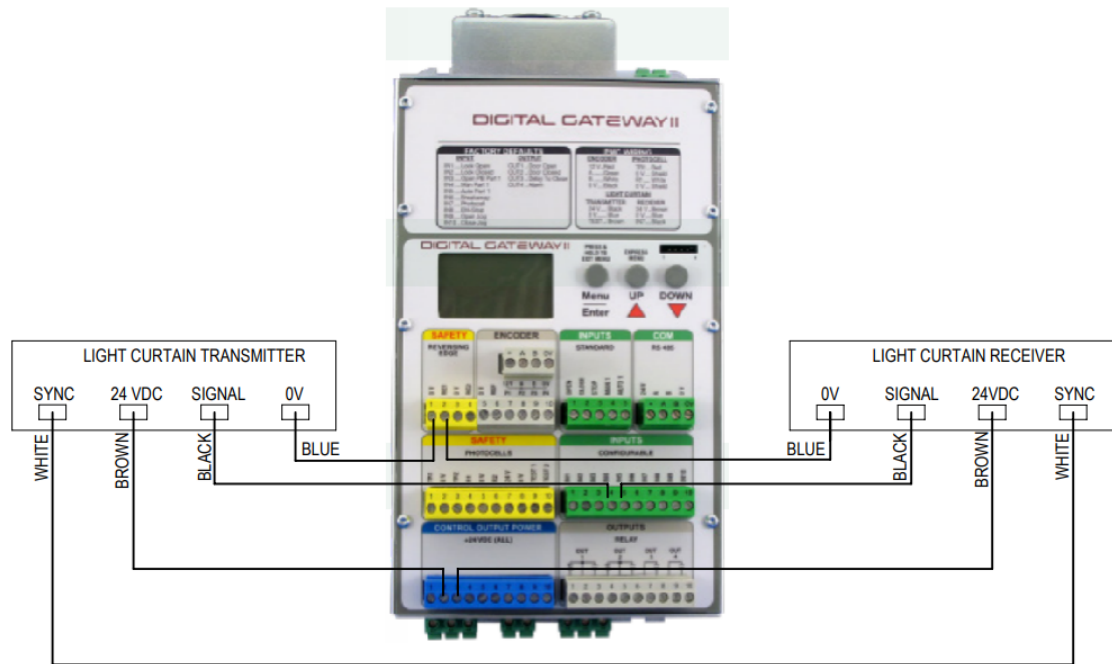


SGT 17



SGR 17

# SECTION 4 - LIGHT CURTAIN CONTROLLER WIRING



Drill hole and install grip to the right of the motor cable.

## **⚠ DANGER**

**BEFORE BEGINNING THIS PHASE OF INSTALLATION, ENSURE POWER SUPPLY IS DISCONNECTED TO AVOID SERIOUS INJURY OR DEATH!**

- Drill holes and install cord grip (826310-3444) in the bottom of the controller case.
- The programmable input needs to be programmed to function photoeye1, logic set to NC for the light curtain to function correctly.
- Any unused programmable input may be used. Refer to door installation manual for programming instructions.
- The white sync wires need to be connected to each other with a wire nut (500229-0001) to operate correctly. They do not connect to the controller.

## SECTION 5 - TESTING AND TROUBLESHOOTING

1. The transmitter and receiver have a green LED light to indicate the power is on. If you do not see the green LED light, check the 24 VDC with a multimeter.
2. The receiver has an amber LED to indicate the light curtain path is clear. When an object is in the light curtain path, the amber light will turn off. Amber LED will flash on power up when beams are blocked. Raise the curtain or remove the blockage to clear. If no amber LED light on the receiver, check if there is any misalignment or blockage between the transmitter and the receiver.
3. Test the reversing function by closing the door and placing an object in the light curtain. The door will reverse and open fully.

# SECTION 6 - BEAM CONFIGURATION

## Appendix 1, Beam Pattern

