

**INSTALLATION INSTRUCTIONS AND OWNER'S MANUAL**

**CX-Series: CX-2400, CX-24, CX-20**

**COMMERCIAL  
STANDARD LIFT**

**TORSION**

If you need assistance, please call 1-866-569-3799 (press Option 1) and follow the prompts to contact a customer service representative. They will be happy to handle any questions that you may have.

**IMPORTANT NOTICES!**

To avoid possible injury, read and fully understand the enclosed instructions carefully before installing and operating the garage door. Pay close attention to all warnings and notes. After installation is complete, fasten this manual near garage door for easy reference.

This Installation document is available at no charge from:

- Your local Wayne Dalton Sales Center, or
- Online at **[www.Wayne-Dalton.com](http://www.Wayne-Dalton.com)**, or
- By mailing to: Wayne Dalton, a division of Overhead Door Corporation, P.O. Box 67, Mt. Hope, OH., 44660

# Table Of Contents

<b>PRE-INSTALLATION</b>	<b>3</b>
Important Safety Instructions	3
<b>REMOVING AN EXISTING DOOR AND PREPARING THE OPENING</b>	<b>5</b>
Package Contents	7
Door Section Identification	9
Tools Required	10
<b>BREAKDOWN OF DOOR COMPONENTS</b>	<b>11</b>
<b>BREAKDOWN OF COUNTERBALANCE COMPONENTS</b>	<b>12</b>
<b>INSTALLATION INSTRUCTIONS</b>	<b>13</b>
Door Installation Instructions	13
<b>COUNTERBALANCE INSTALLATION INSTRUCTIONS</b>	<b>23</b>
<b>OPTIONAL INSTALLATION</b>	<b>35</b>
Trolley Arm Hookup	35
Keyed Lock	35
Inside Lock	36
Step Plate	36
Exhaust Port	36
Chain Hoist	36
Pusher Springs	37
<b>MAINTENANCE</b>	<b>38</b>
Cleaning Your Garage Door	38
Finish And Finishing Maintenance Instructions	38
Surface Preparation For Painting	38
Painting Your Garage Door	38
Operation And Maintenance	39
<b>WARRANTY</b>	<b>40</b>

## Important Safety Instructions

### DEFINITION OF KEY WORDS USED IN THIS MANUAL:

#### **DANGER**

INDICATES A HAZARDOUS SITUATION THAT, IF NOT AVOIDED, WILL RESULT IN DEATH OR SERIOUS INJURY.

#### **WARNING**

INDICATES A HAZARDOUS SITUATION THAT, IF NOT AVOIDED, COULD RESULT IN DEATH OR SERIOUS INJURY.

#### **CAUTION**

INDICATES A HAZARDOUS SITUATION THAT, IF NOT AVOIDED, COULD RESULT IN MINOR OR MODERATE INJURY.

#### **NOTICE**

INDICATES INFORMATION CONSIDERED IMPORTANT, THAT IT IS NOT RELATED TO INJURY, BUT MAY RESULT IN PROPERTY DAMAGE.

**IMPORTANT:** Required key step for proper door operation.

**NOTE:** Information only.

### Installation:

#### **WARNING**

INSTALLING THIS DOOR PROPERLY REQUIRES THE USE OF SPECIAL TOOLS AND TECHNIQUES. ALWAYS USE THE CORRECT TOOLS OR TECHNIQUES WHEN PERFORMING INSTALLATION. FAILURE TO USE PROPER TOOLS OR TECHNIQUES OR ADHERE TO SAFETY MESSAGES, COULD RESULT IN SEVERE OR FATAL INJURY.

#### **DANGER**

EXTREME CAUTION SHOULD BE USED WHEN WINDING SPRINGS AS FAILURE TO FOLLOW THE INSTRUCTIONS OR USE THE PROPER TOOLS CAN LEAD TO SERIOUS INJURY TO PERSONS AND PROPERTY. BEFORE ATTEMPTING TO WIND THE SPRING, MAKE SURE YOU HAVE READ AND UNDERSTAND THE INSTRUCTIONS. IF YOU ARE UNCLEAR ON ANY ASPECT OF THE INSTALLATION PROCEDURES, YOU SHOULD CONSULT A TRAINED DOOR SYSTEMS TECHNICIAN.

- READ THESE INSTRUCTIONS CAREFULLY BEFORE ATTEMPTING INSTALLATION. IF YOU ARE IN QUESTION ABOUT ANY OF THE PROCEDURES, DO NOT PERFORM THE WORK. INSTEAD, HAVE A TRAINED DOOR SYSTEMS TECHNICIAN DO THE INSTALLATION OR REPAIRS.
- Wear protective gloves and eye protection during installation, to avoid possible injury.
- **DO NOT** install door in windy conditions. Door could fall during the installation, causing severe or fatal injury.
- Doors 12'-0" wide and larger should be installed by two persons, to avoid possible injury.
- On electrically operated doors, pull down ropes must be removed and locks must be removed or made inoperative in the open (unlocked) position, unless electrical interlocks are installed.
- Impact guns are not recommended. When installing 5/16" lag screws using an electric drill/ driver, the drill/ drivers clutch must be set to deliver no more than 200 in-lbs of torque. Fastener failure could occur at higher settings.
- Check with your local building official for wind load code requirements and building permit information.
- For windloaded doors, the wind performance is achieved via the entire door system and component substitution is not authorized without express permission by the manufacturer.

#### **CAUTION**

IF ANY PART OF THE DOOR IS TO BE INSTALLED ONTO PRESERVATIVE-TREATED WOOD, PTFE-COATED OR STAINLESS STEEL FASTENERS MUST BE OBTAINED AND USED. REPLACEMENT FASTENERS MUST BE OF AT LEAST EQUAL STRENGTH AND SIZE AS ORIGINAL FASTENERS. IF THE ORIGINAL FASTENER WAS RED-HEAD, THE REPLACEMENT FASTENER MUST BE RED-HEAD ALSO. CONTACT WAYNE DALTON FOR FASTENER STRENGTH VALUES IF NEEDED.

**Operation:**

**⚠ WARNING**

**TO PREVENT DEATH OR SERIOUS INJURY WHILE OPERATING THE DOOR, ENSURE THE PATH OF THE DOOR IS NOT OBSTRUCTED BY ANY PERSON OR OBJECT AND ADHERE TO THE FOLLOWING SAFETY MEASURES.**

- Operate door only when it is properly adjusted and free from obstructions.
- If a door becomes hard to operate, inoperative or is damaged, immediately have necessary adjustments and/ or repairs made by a trained door system technician using proper tools and instructions.
- **DO NOT** stand or walk under a moving door, or permit anybody to stand or walk under an electrically operated door.
- **DO NOT** place fingers or hands into open section joints when closing a door. Use lift handles/ gripping points when operating door manually.
- **DO NOT** permit children to operate garage door or door controls. Severe or fatal injury could result should the child become entrapped between the door and the floor.
- Visually inspect door and hardware monthly for worn and or broken parts. Check to ensure door operates freely. Test electric opener's safety features monthly, following opener manufacturer's instructions.
- **NEVER** hang tools, bicycles, hoses, clothing or anything else from horizontal tracks. Track systems are not intended or designed to support extra weight.

Potential Hazard	Effect	Prevention
 <p>Moving door</p>	<p><b>⚠ WARNING</b></p> <p>Could result in Death or Serious Injury</p>	<p>Keep people clear of opening while Door is moving.</p> <p>Do <b>NOT</b> allow children to play with the Door Opener.</p> <p>Do <b>NOT</b> operate a Door that jams or one that has a broken spring.</p>
 <p>High tension spring</p>	<p><b>⚠ DANGER</b></p> <p>Will result in Death or Serious Injury</p>	<p>Do <b>NOT</b> try to remove, install, repair or adjust springs or anything to which door spring parts are fastened, such as, wood blocks, steel brackets, cables or other like items.</p> <p>Installations, repairs and adjustments must be done by a trained door system technician using proper tools and instructions.</p>

**IMPORTANT:** RIGHT and LEFT hand is determined inside the building looking out.



## REMOVING AN EXISTING DOOR AND PREPARING THE OPENING

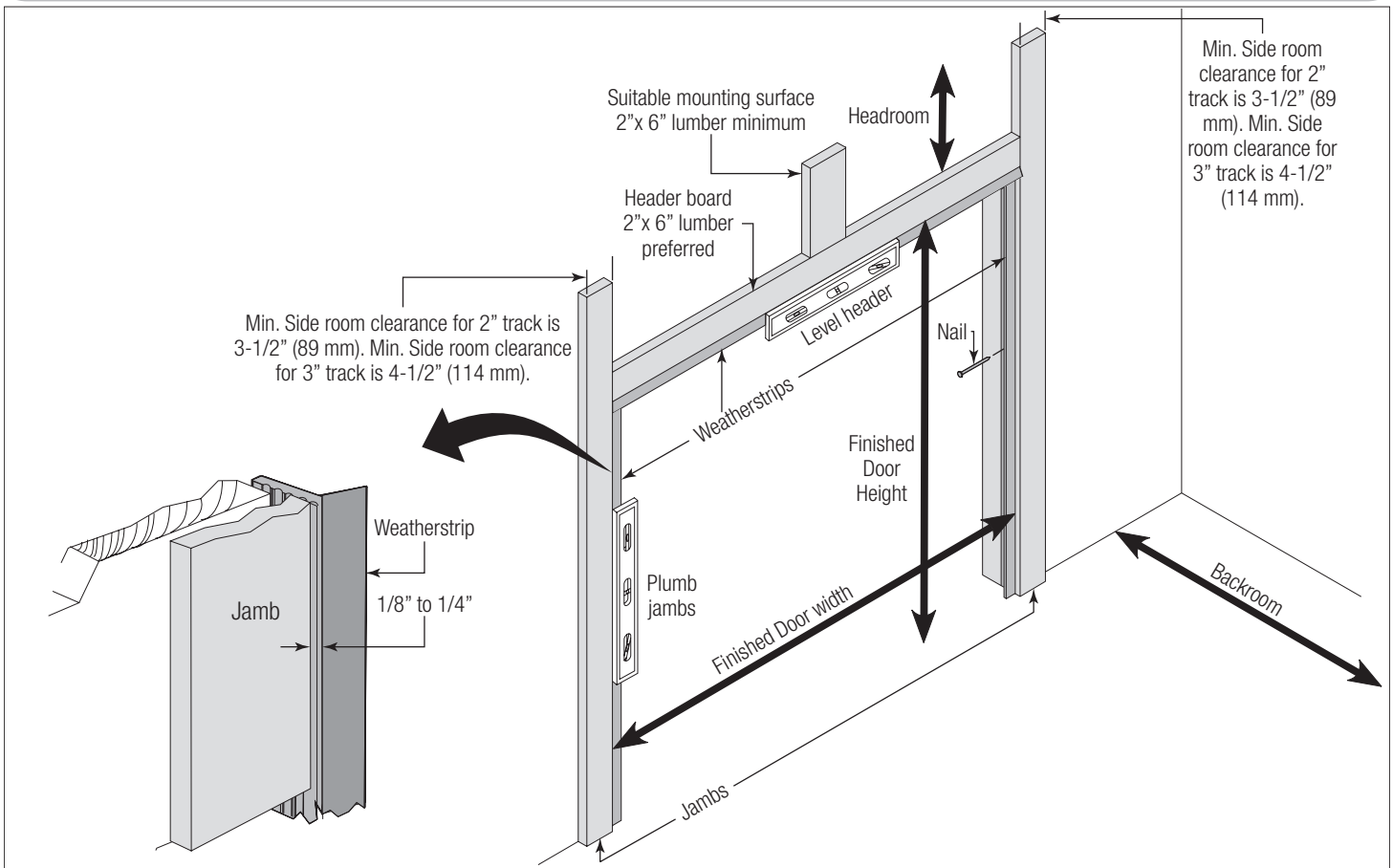


Figure 1

### **⚠ DANGER**

**AVOID INJURY! A POWERFUL SPRING RELEASING ITS ENERGY SUDDENLY CAN CAUSE SEVERE OR FATAL INJURY. ALWAYS HAVE A TRAINED DOOR SYSTEMS TECHNICIAN, USING PROPER TOOLS AND INSTRUCTIONS, RELEASE THE SPRING TENSION.**

### **⚠ DANGER**

**COUNTERBALANCE SPRING TENSION MUST ALWAYS BE RELEASED BEFORE ANY ATTEMPT IS MADE TO START REMOVING AN EXISTING DOOR. EXTREME CAUTION SHOULD BE USED WHEN UNWINDING SPRINGS AS FAILURE TO FOLLOW THE INSTRUCTIONS OR USE PROPER TOOLS CAN LEAD TO SERIOUS INJURY.**

See Figure 1 for the following steps.

To ensure secure mounting of track brackets, side and center brackets, or steel angles to new or retro-fit construction, it is recommended to follow the procedures outlined in DASMA technical data sheets #156, #161 and #164 at

[www.dasma.com](http://www.dasma.com).

- The inside perimeter of your garage door opening should be framed with wood jamb and header material.
- The jambs and header must be securely fastened to sound framing members. It is recommended that 2" x 6" lumber be used. The jambs must be plumb and the header level.
- The jambs should extend a minimum of 12" (305 mm) above the top of the opening for Torsion counterbalance systems.
- For low headroom applications, the jambs should extend to the ceiling height. Minimum side clearance required, from the opening to the wall, is 3-1/2" (89 mm).

### **NOTICE**

CLOSELY INSPECT JAMBS, HEADER AND MOUNTING SURFACE. ANY WOOD FOUND NOT TO BE SOUND, MUST BE REPLACED.

For Torsion counterbalance systems, a suitable mounting surface (2" x 6") must be firmly attached to the wall, above the header at the center of the opening.

### **NOTICE**

DRILL A SUITABLE PILOT HOLE IN THE MOUNTING SURFACE TO AVOID SPLITTING THE LUMBER. DO NOT ATTACH THE MOUNTING SURFACE WITH NAILS.

#### **Weatherstrips (Not Included):**

Depending on the size of your door, you may have to cut or trim the weatherstrips to properly fit into the header and jambs.

### **NOTICE**

IF NAILING PRODUCT AT 40°F, (4.4°C) OR BELOW, PRE-DRILLING IS REQUIRED.

1. For the header, align the weatherstrip with the inside edge of the header and temporarily secure it to the header with equally spaced nails, approximately 12" to 18" (305 mm - 457 mm) apart.
2. Starting at either side of the jamb, fit the weatherstrip up tight against the temporarily attached weatherstrip in the header and flush with the inside edge of the jamb.
3. Temporarily secure the weatherstrip with equally spaced nails. Repeat for other side. This will keep the bottom door section from falling out of the opening during installation.

**Headroom requirement:**

Headroom required is defined as the space needed above the top of the door for tracks, springs, etc. to allow the door to open properly.

If the door is to be motor operated, 2-1/2" (64 mm) of additional headroom is required.

**Dimension (Dim.) "Y":**

Indicates the distance from the header to the center line of torsion shaft.

**NOTE:** 2-1/2" of additional headroom is required for single trolley operator installations.

**NOTE:** Headroom can be reduced 2-1/2" by using the quick closing top fixture or by shortening the vertical tracks by 3" max.

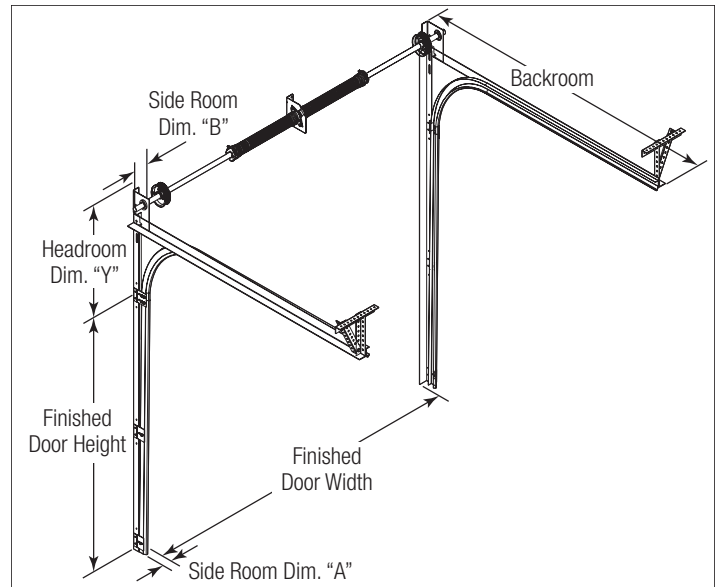
**Headroom Requirements (Minimum Distance Required)**

Cable Drums	Dimensions	3" Track, 15" Radius	2" Track, 15" Radius	2" Track, 12" Radius
400-8	Headroom Dim. "Y"	15-1/2"	15"	12"
400-12		13"	12-1/2"	9-1/2"
5250-18		17-1/2"	17"	14"
		14-1/2"	14"	11"
800-32		21"	20-1/2"	N/A
	16-1/2"	16"	N/A	

**Backroom requirement:** Backroom is defined as the distance needed from the opening back into the garage to allow the door to open fully.

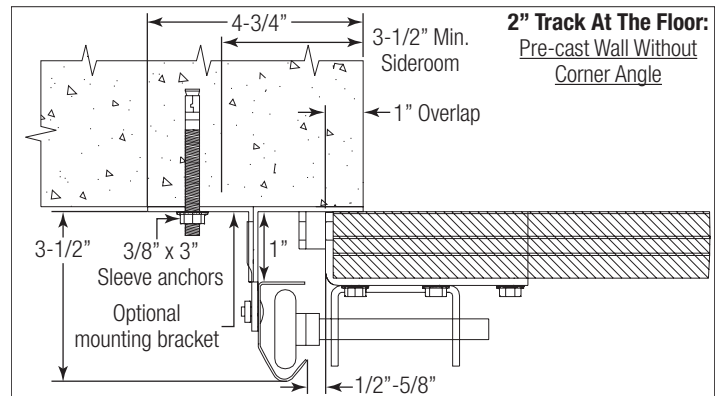
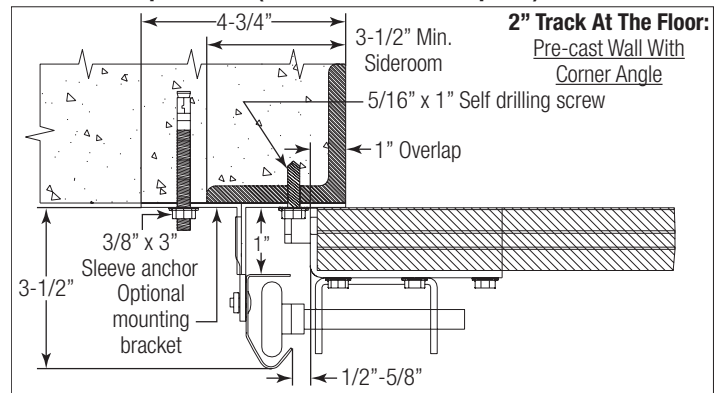
**Backroom Requirements (Minimum Distance Required)**

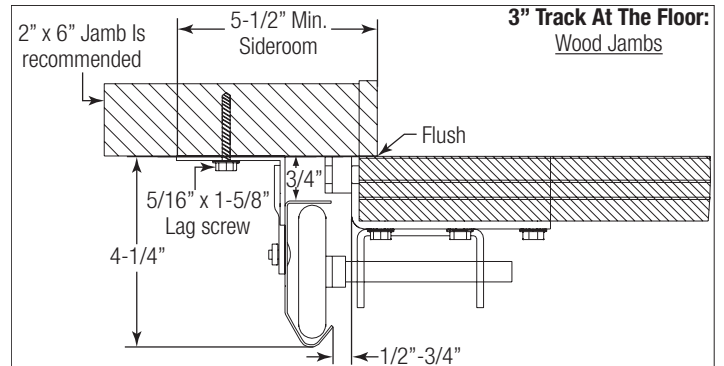
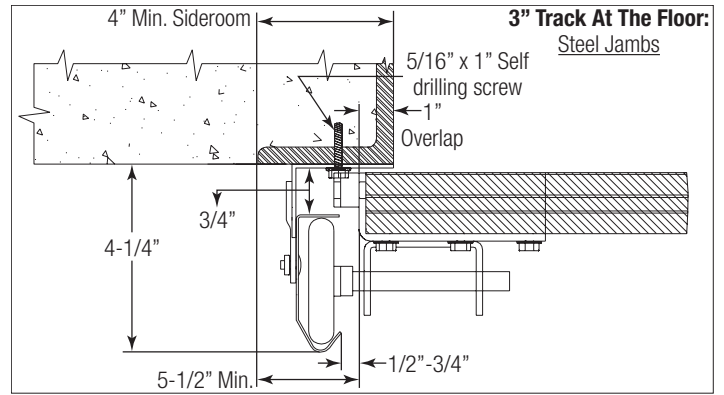
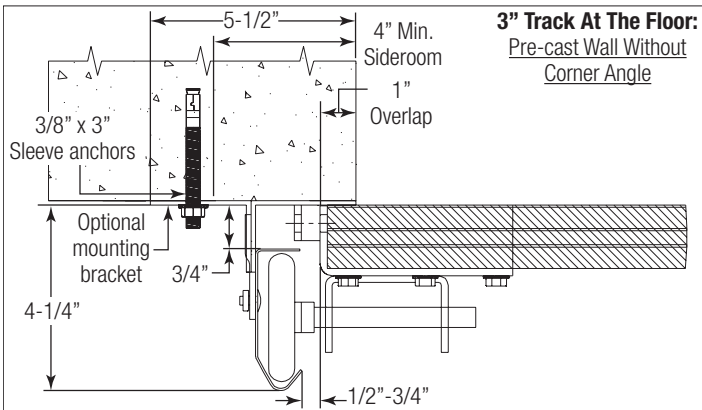
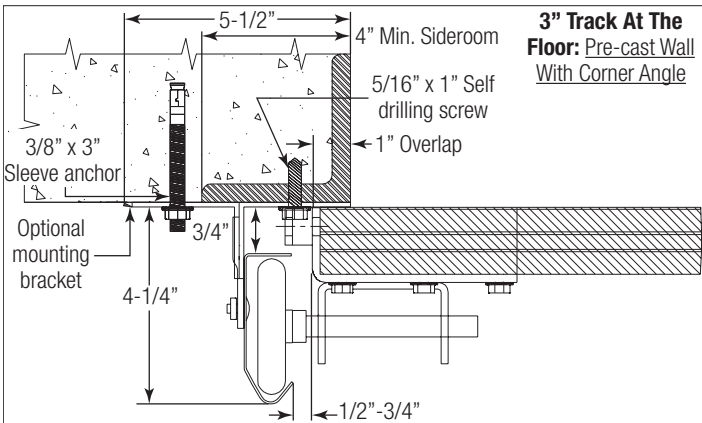
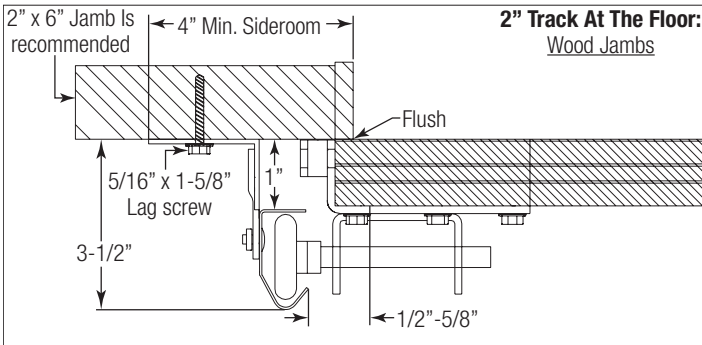
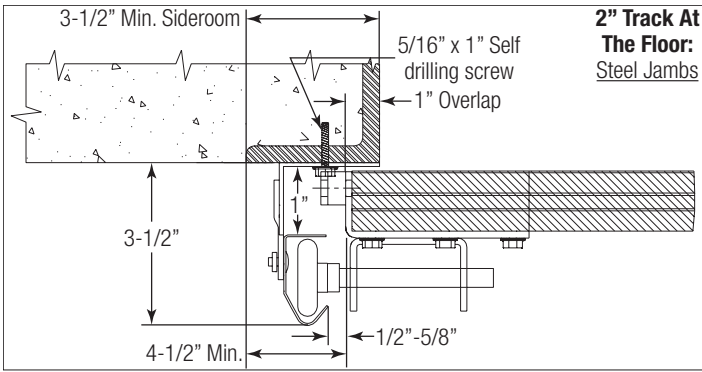
Track size	Manual Depth Into room	Dim. "A" Side room track		Dim. "B" Side room Torsion Shaft	
		Steel	Masonry / Wood	Solid	Tube
2"	Door Height Plus 18", Motor Plus 66"	2-1/2"	3-1/2"	10"	5"
3"	Door Height Plus 24", Motor Plus 66"	3"	5"	10"	5"



**Side Room Requirements:** Side room is defined as the distance needed from the door opening to a wall or any obstruction.

**Side Room Requirements (Minimum Distance Required)**

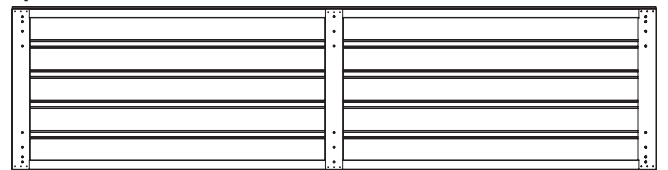




## Package Contents

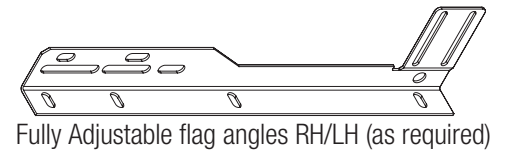
**NOTE:** Depending on the door model, some parts listed may not be required, and will not be supplied.

### Components and Hardware



Torsion shaft / Torsion keyed shaft (as required)

Torsion keyed shafts (as required)



Vertical tracks RH/LH (as required)



Horizontal tracks RH/LH

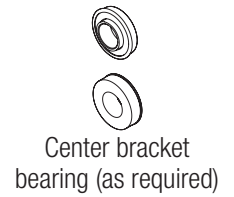
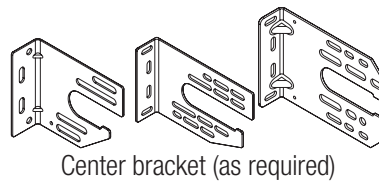
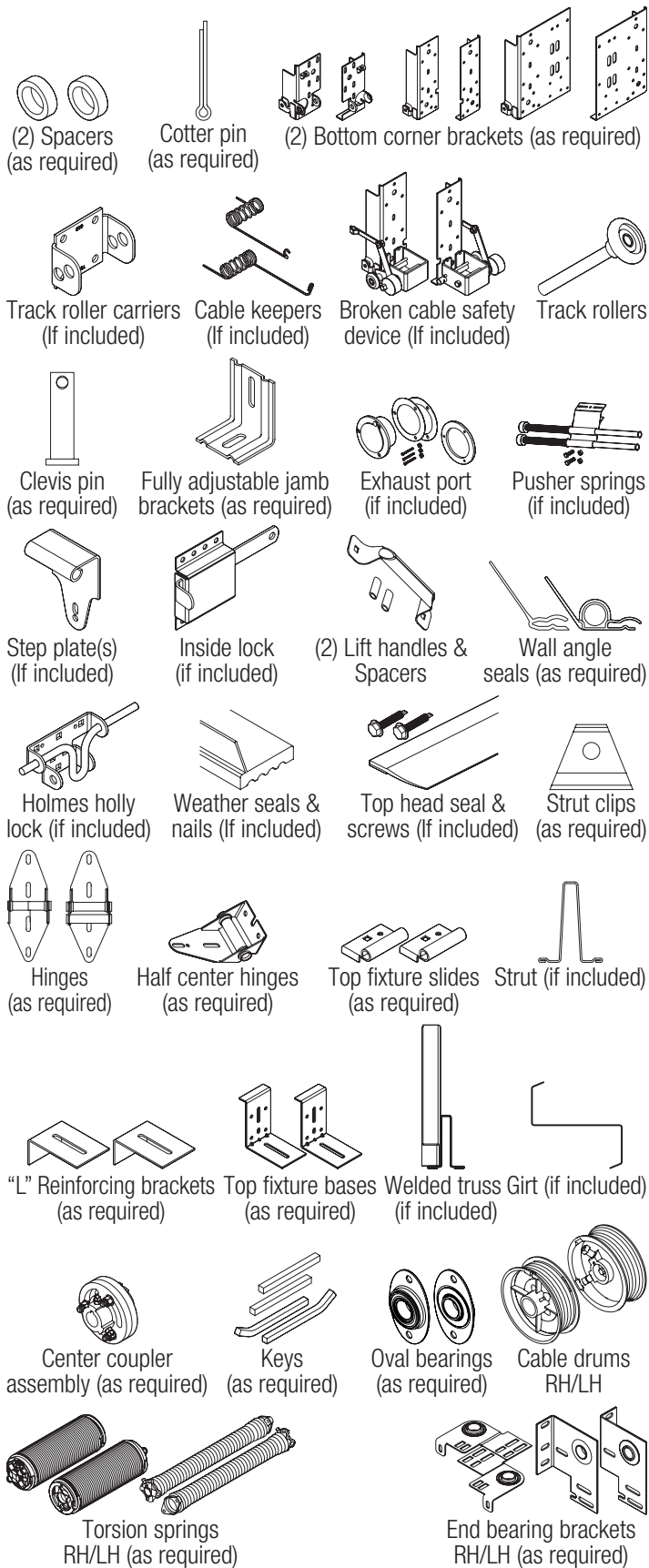
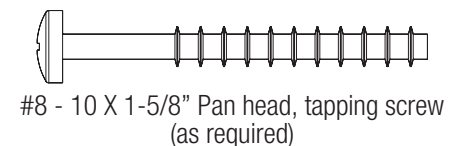
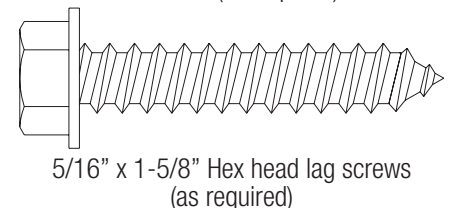
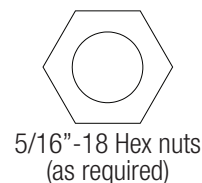
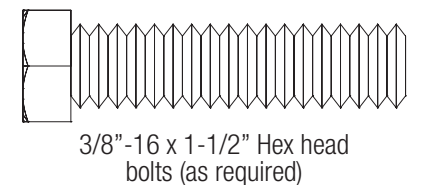
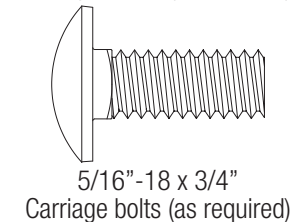
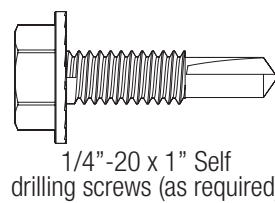
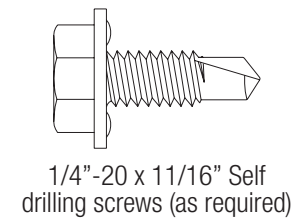
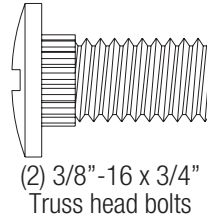
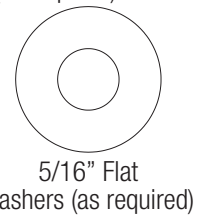
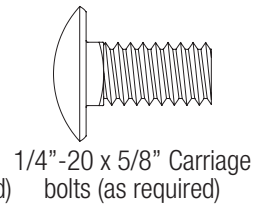
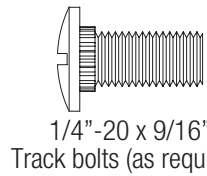
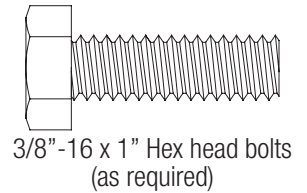
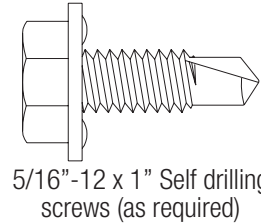
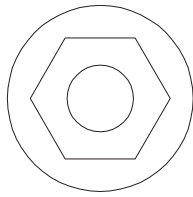
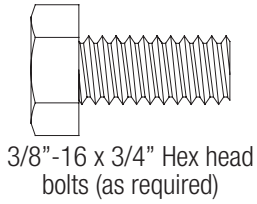


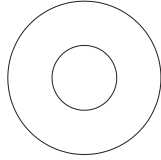
Figure 2

Fasteners





3/8"-16 Flanged hex nuts (as required)



3/8" Flat washers (as required)

**Figure 3**

## Door Section Identification

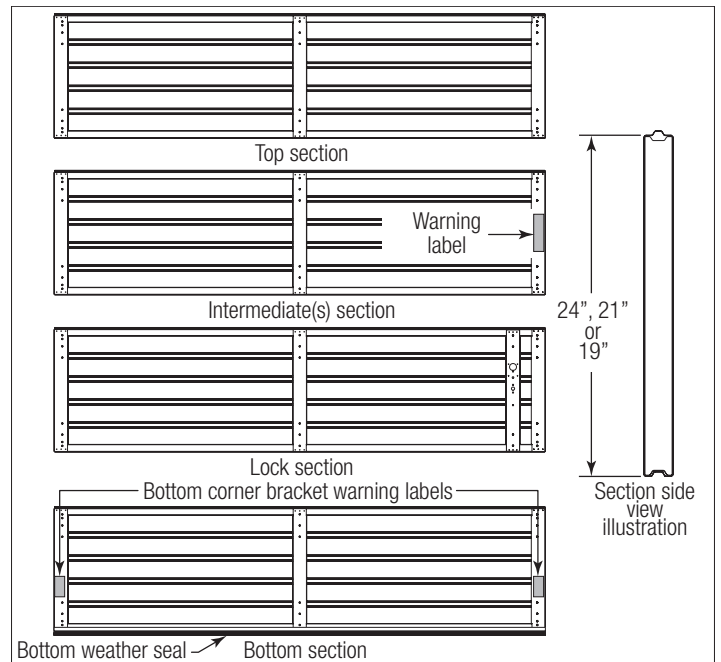
See Figure 4 and Figure 7 for the following steps.

Quantity Of Sections	Type Of Section
12	Top Section
11	Intermediate IX Section
10	Intermediate VIII Section
9	Intermediate VII Section
8	Intermediate VI Section
7	Intermediate V Section
6	Intermediate IV Section
5	Intermediate III Section
4	Intermediate II Section
3	Intermediate I Section
2	Lock Section
1	Bottom Section

**NOTE:** If you have different sections heights, the tallest section heights are always stacked at the bottom and the smallest section height is stacked at the top.

The **BOTTOM SECTION** can be identified by the factory attached bottom bracket warning labels on each end stile.

The **INTERMEDIATE I SECTION** may have a warning label attached to either right or left hand end stile of the section. This section is always the 3rd section from the bottom of the door.



**Figure 4**

## Tools Required

### Personal Protection Equipment (PPE)



Figure 5

### Hand Tools

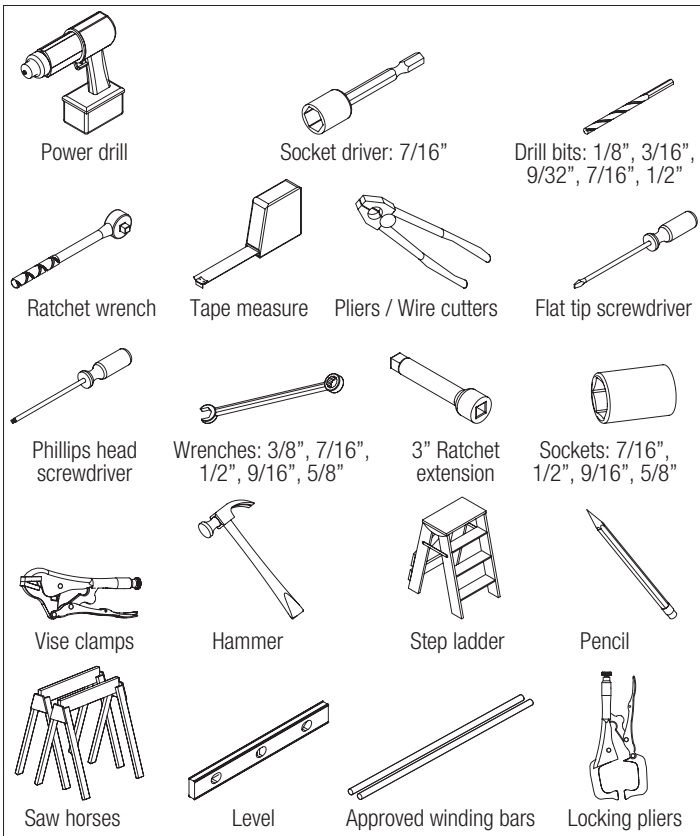
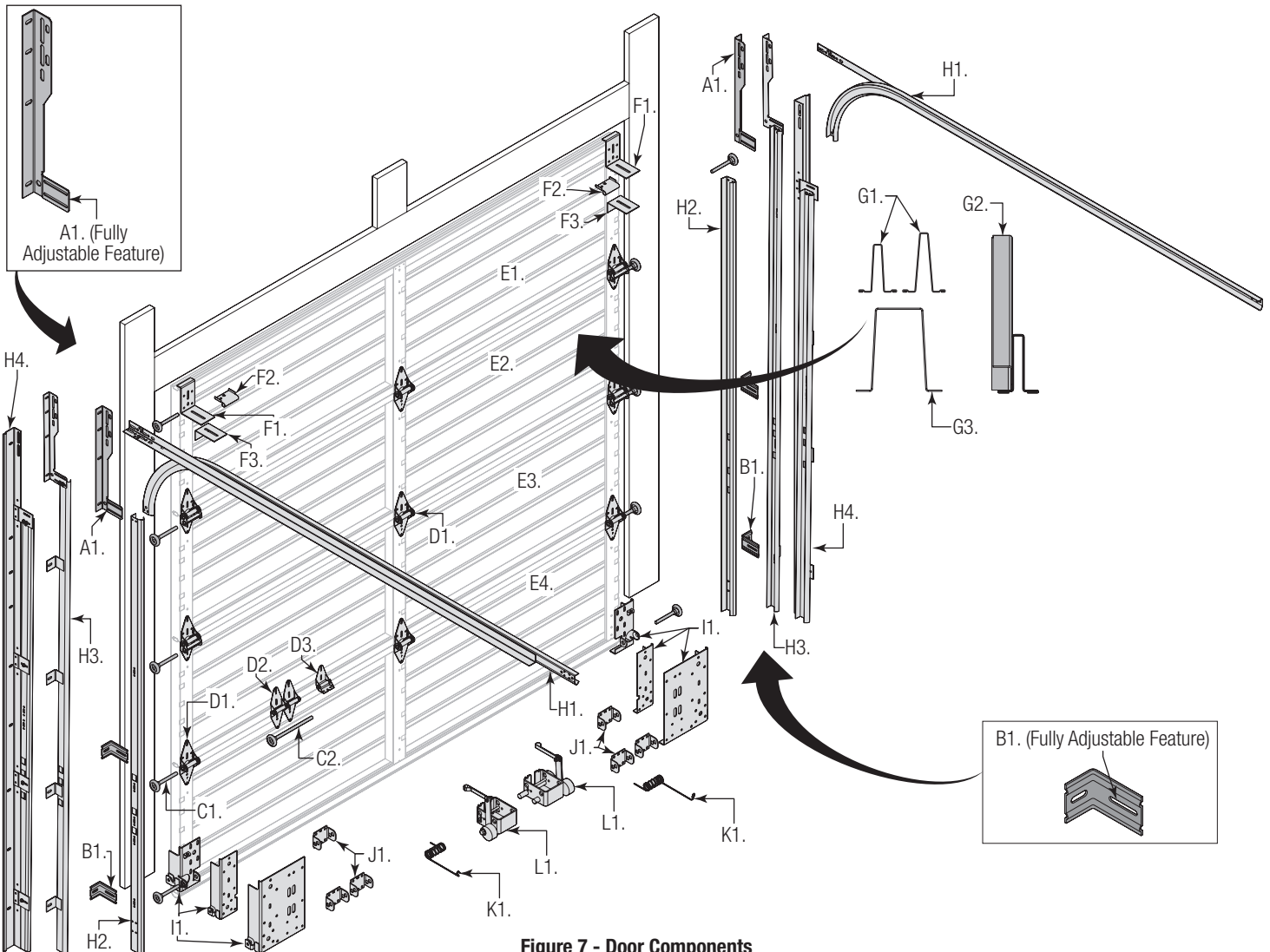


Figure 6

# BREAKDOWN OF DOOR COMPONENTS

**NOTE:** The illustrations shown on this page are general representations of the door parts. Each specific door models may have unique variations.



**Figure 7 - Door Components**

**A. FLAG ANGLES (AS REQUIRED):**

- A1. Fully Adjustable (F.A.) Flag Angles

**B. JAMB BRACKETS (AS REQUIRED):**

- B1. Fully Adjustable (F.A.) Jamb Brackets

**C. TRACK ROLLERS (AS REQUIRED):**

- C1. Short Stem Track Rollers
- C2. Long Stem Track Rollers

**D. GRADUATED END HINGES (AS REQUIRED):**

- D1. Single Graduated End Hinges (S.E.H.), Industry Standard
- D2. Double Graduated End Hinges (D.E.H.), Industry Standard
- D3. Half Center Hinges (As Required)

**E. STACKED SECTIONS:**

- E1. Top Section
- E2. Intermediate(s) Section
- E3. Lock Section
- E4. Bottom Section

**F. TOP FIXTURES (AS REQUIRED):**

- F1. Top Fixture Bases
- F2. Top Fixture Slides

- F3. "L" Reinforcing Brackets (As Required)

**G. STRUT(S) (AS REQUIRED):**

- G1. Strut (2" / 3" U-shaped)
- G2. Welded Truss
- G3. Girt

**H. TRACKS (AS REQUIRED):**

- H1. Left Hand and Right Hand Horizontal Track Assemblies
- H2. Left Hand and Right Hand Vertical Tracks
- H3. Left Hand and Right Hand Vertical Track Assemblies
- H4. Left Hand and Right Hand Wall Angle Track Assemblies

**I. BOTTOM CORNER BRACKETS (AS REQUIRED):**

- I1. Left Hand and Right Hand Bottom Corner Brackets

**J. TRACK ROLLER CARRIERS (AS REQUIRED):**

- J1. Track Roller Carriers

**K. CABLE KEEPERS (AS REQUIRED):**

- K1. Cable Keepers

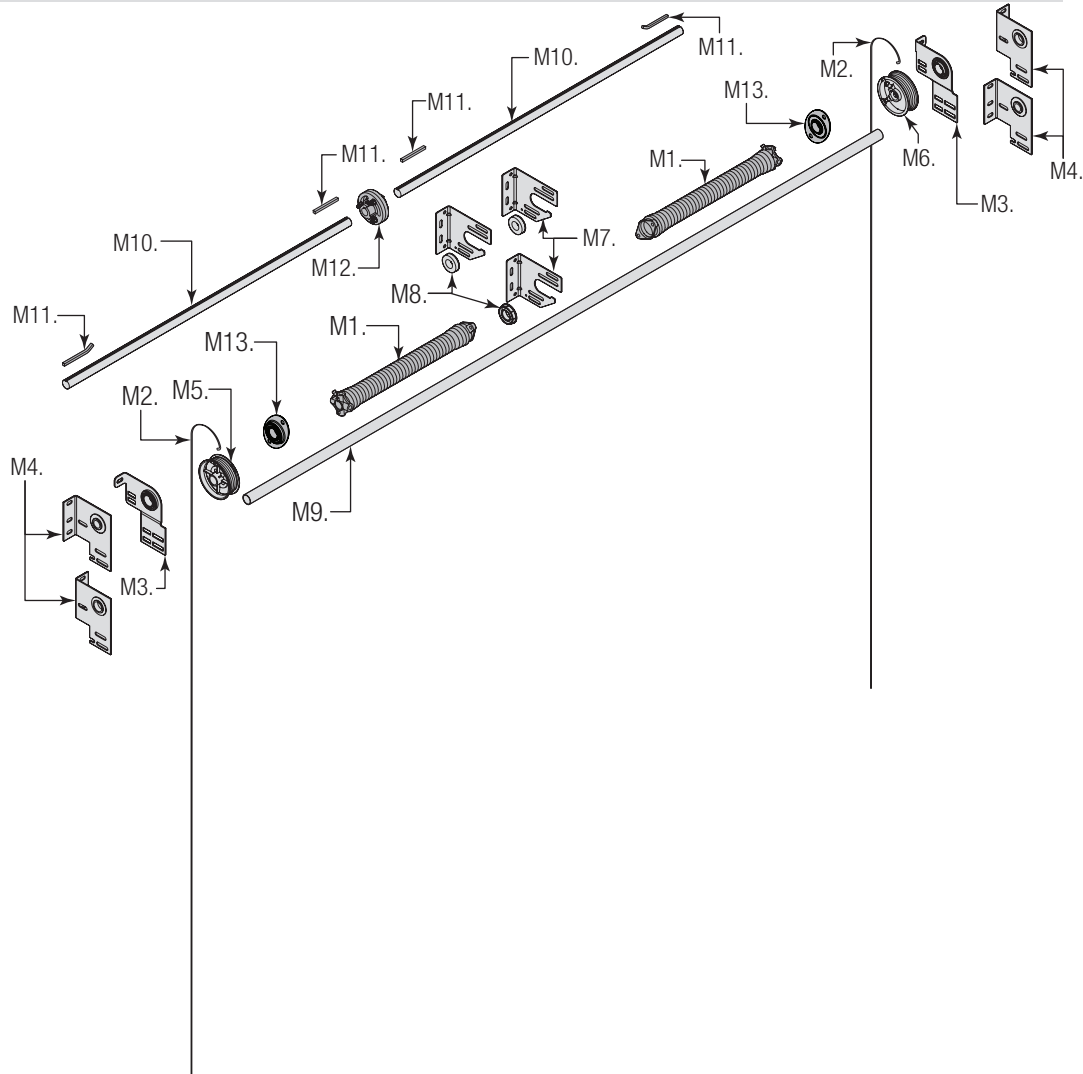
**L. BROKEN CABLE SAFETY DEVICES (AS REQUIRED):**

- L1. Left Hand And Right Hand Broken Cable Safety Devices



# BREAKDOWN OF COUNTERBALANCE COMPONENTS

**NOTE:** The illustrations shown on this page are general representations of the door parts. Each specific door models may have unique variations.



**Figure 7 - Counterbalance Components**

## **M. TORSION SPRING ASSEMBLY (AS REQUIRED):**

- M1. Left Hand and Right Hand Torsion Springs (As Required)
- M2. Counterbalance Lift Cables
- M3. Left Hand End Bearing Bracket (As Required)
- M4. Right Hand End Bearing Bracket (As Required)
- M5. Left Hand Cable Drum
- M6. Right Hand Cable Drum
- M7. Center Bracket(s) (As Required)
- M8. Center Bracket Bearing(s) (As Required)
- M9. Torsion Shaft / Torsion Keyed Shaft (As Required)
- M10. Torsion Keyed Shafts (As Required)
- M11. Keys (As Required)
- M12. Center Coupler Assembly (As Required)
- M13. Oval Bearings (As Required)



# INSTALLATION INSTRUCTIONS

## Door Installation Instructions

**BEFORE INSTALLING YOUR DOOR, BE CERTAIN THAT YOU HAVE READ AND FOLLOWED ALL OF THE INSTRUCTIONS COVERED IN THE PRE-INSTALLATION SECTION OF THIS MANUAL. FAILURE TO DO SO MAY RESULT IN AN IMPROPERLY INSTALLED DOOR.**

**IMPORTANT:** Reference TDS 160 for general garage door terminology at [www.dasma.com](http://www.dasma.com).

### NOTICE

IF THE DOOR WILL BE EXPOSED TO A SIGNIFICANT AMOUNT OF ROAD SALT, PAINT THE BOTTOM GALVANIZED STEEL WEATHER RETAINER TO INHIBIT RUSTING.

## 1 VERTICAL TRACK ASSEMBLY

**IMPORTANT:** If you have Riveted Track or Angle Mount Track, skip this step.

**NOTE:** For clarity, all graphics shown are of the left side, right side will be the same.

**IMPORTANT:** The bottom jamb bracket is always the shortest bracket, while the center jamb bracket is the next tallest. If three jamb brackets per side are included with your door, you will have received a top jamb bracket, which is the tallest.

See Figure 8 for the following steps.

1a. Hand tighten the flag angle to the vertical track using two 1/4" - 20 x 9/16" track bolts and two 1/4" - 20 flange hex nuts.

1b. Attach the shortest jamb bracket by aligning the slot in the shortest jamb bracket with the lower hole of the hole/ slot pattern of the vertical track. Hand tighten the jamb bracket using (1) 1/4" - 20 x 9/16" track bolt and (1) 1/4" - 20 flange hex nut.

1c. Place the tallest jamb bracket over the lower hole of the hole/ slot pattern that is centered between the bottom jamb bracket and flag angle of the 2nd hole set. Hand tighten the jamb bracket using (1) 1/4" - 20 x 9/16" track bolt and (1) 1/4" - 20 flange hex nut.

1d. Repeat this process for the right hand side.

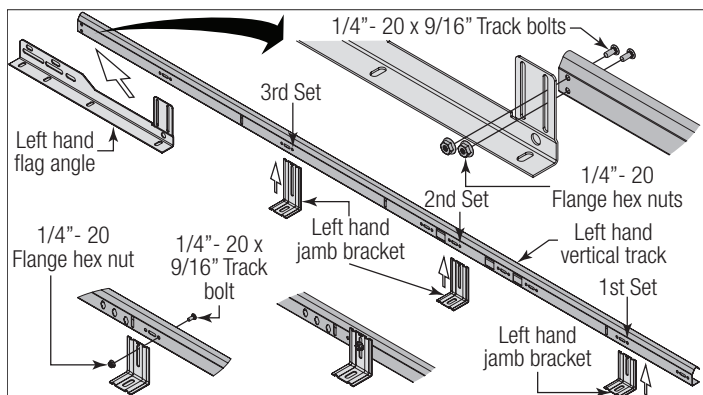


Figure 8, Left Side Shown

## 2 ATTACHING BOTTOM CORNER BRACKETS

**IMPORTANT:** Refer to door section identification, located in the pre-installation section of this manual or refer to Breakdown of Parts.

### WARNING

**ENSURE TIGHT FIT OF CABLE LOOP OVER MILFORD PIN TO PREVENT COUNTERBALANCE LIFT CABLE FROM COMING OFF THE PIN, WHICH COULD ALLOW THE DOOR TO FALL AND RESULT IN DEATH OR SERIOUS INJURY.**

See Figure 9 for the following steps.

2a. Uncoil the counterbalance lift cables.

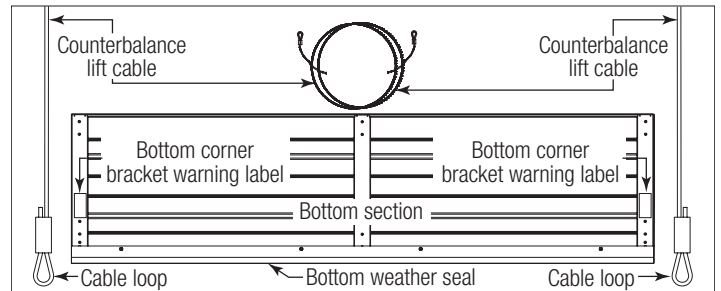


Figure 9

**IMPORTANT:** Refer to Package Contents / Breakdown of Parts, to determine which bottom corner brackets you have.

See Figure 10 through Figure 12 for the following steps.

2b. Secure the cable loop to the clevis pin and bottom corner bracket using a flat washer and a cotter pin. Repeat for other bottom corner bracket.

2c. Starting on the left hand side, attach the left hand bottom corner bracket to the left corner of the bottom section, making sure it is seated to the edges of the end cap, using 1/4" - 20 x 1" self drilling screws.

2d. Insert a short stem track roller with roller spacer (if applicable) into the bottom corner bracket. 2e. Repeat same process for the right hand side.

**NOTE:** If you have broken cable safety devices, install (4) 1/4" - 20 x 1" self drilling screws to secure the bottom corner bracket to the bottom section. Reference Step Broken Cable Safety Devices.

**NOTE:** If you did not receive Track Roller Carriers or Cable Keepers, then insert a short stem track roller with roller spacer (if applicable) into each of the bottom corner brackets, as shown.

**NOTE:** Verify bottom weather seal (bottom seal) is aligned with door section. If there is more than 1/2" excess bottom weather seal on either side, trim bottom weather seal even with door section.

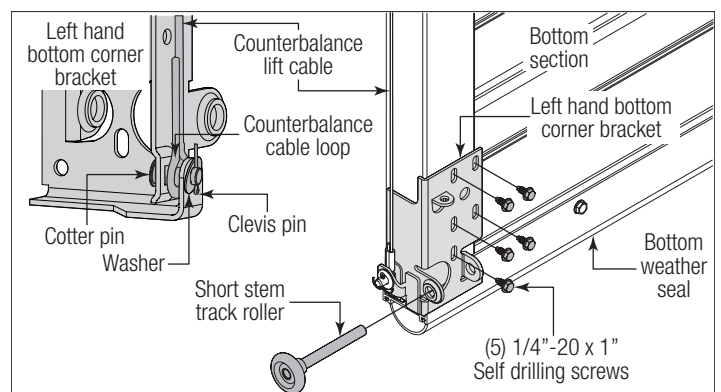


Figure 10

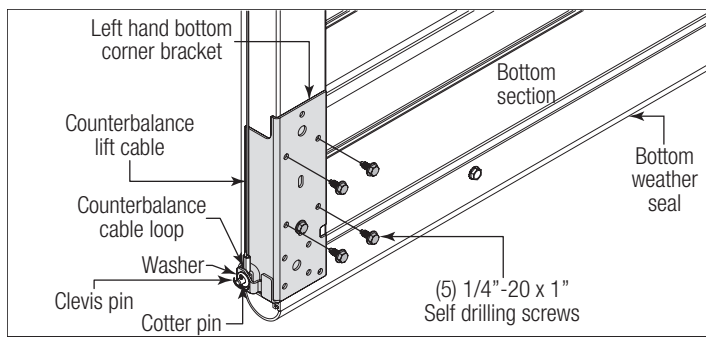


Figure 11

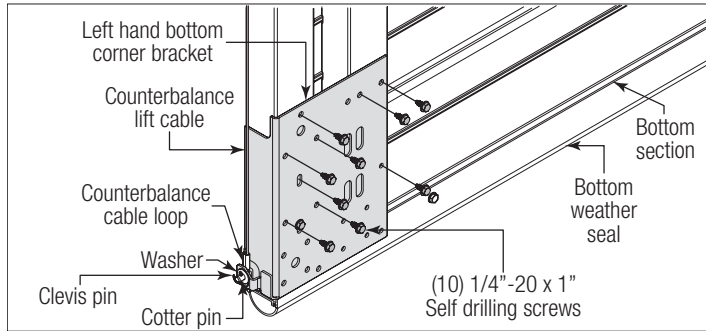


Figure 12

### 3 ATTACHING TRACK ROLLER CARRIER'S

**IMPORTANT:** If you don't have track roller carriers, then skip this step. Refer to Package Contents / Breakdown of Parts, to determine if a track roller carrier was supplied with your door.

**IMPORTANT:** The track roller carrier's inner holes are used on doors with 2" track applications with a short stem track roller; the outer holes are used on doors with 3" track applications with a long stem track roller.

See Figure 13 and Figure 14 for the following steps.

- 3a. Starting on left hand side of the bottom section, attach the track roller carrier with the stamp "STD" facing UP to the bottom corner bracket by aligning the four holes of the track roller carrier with the four holes in the bottom corner bracket.
- 3b. Secure the track roller carrier to the bottom corner bracket using 1/4" - 20 x 1" self drilling screws. If applicable, repeat for the other track roller carrier.
- 3c. Insert the appropriate short/long stem track roller and spacer into the inner holes of the track roller carrier.
- 3d. Repeat for the other track roller carrier, if applicable. Repeat the same process for the right hand side.

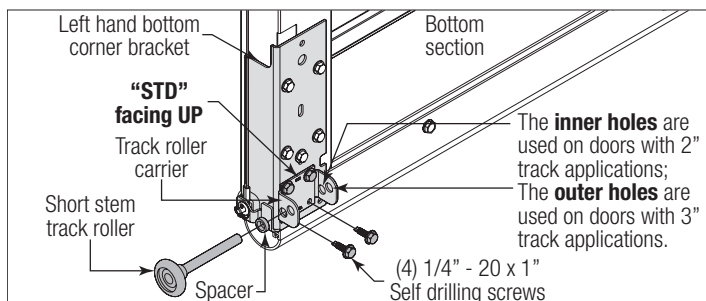


Figure 13, Left Side Shown

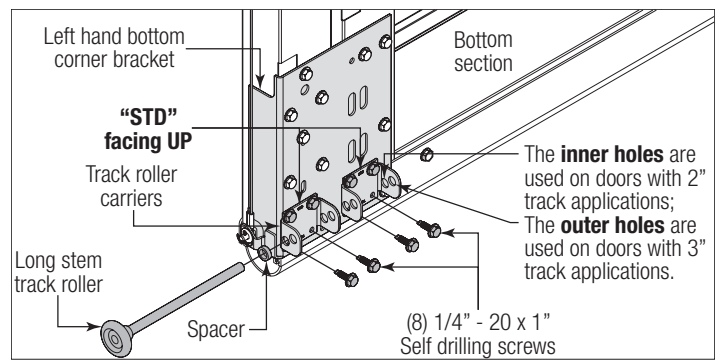


Figure 14, Left Side Shown

### 4 ATTACHING CABLE KEEPERS

**NOTE:** If you don't have cable keepers, then skip this step. Refer to Package Contents / Breakdown of Parts, to determine if you have cable keepers.

**IMPORTANT:** Cable keepers are intended to help prevent counterbalance lift cables from coming off cable drums on manually operated doors.

**NOTE:** Cable keepers are right hand and left hand.

**NOTE:** Cable keepers are color coded, black for right hand side and red for left hand side.

See Figure 15 for the following steps.

- 4a. Starting on the left hand side of bottom section, position the left hand cable keeper in between the roller carrier tabs.
- 4b. Insert a short stem track roller with roller spacer through the holes in the tabs and through the cable keeper.
- 4c. Repeat the same process for the right hand side.

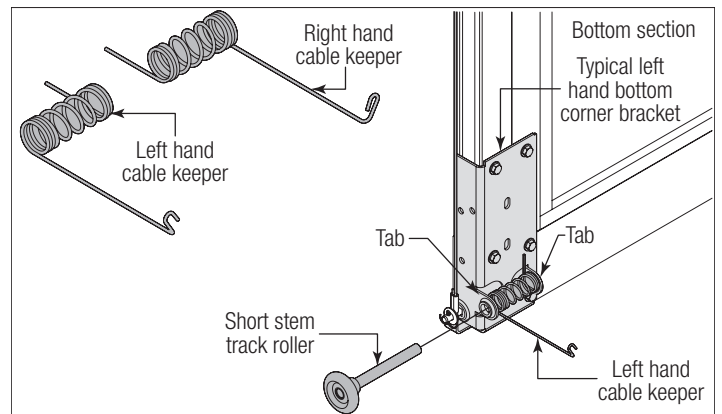


Figure 15, Left Side Shown

### 5 ATTACHING BROKEN CABLE SAFETY DEVICE

**NOTE:** If you don't have broken cable safety devices, then skip this step. Refer to Package Contents / Breakdown of Parts, to determine if you have broken cable safety devices.

See Figure 16 and Figure 17 for the following steps.

- 5a. Locate the left hand broken cable safety device.
- 5b. Reference step Bottom Corner Brackets to secure the counterbalance cable to the broken cable safety device.
- 5c. Align the broken cable safety device horizontally with the bottom edge of the bottom section and also align it vertically with the left bottom edge of the bottom section.

5d. Attach the broken cable safety device to the bottom section with (6) 1/4" - 20 x 1" self drilling screws.

5e. Thread the counterbalance lift cable through the arm of the broken cable safety device.

5f. Repeat the same process for the right hand side.

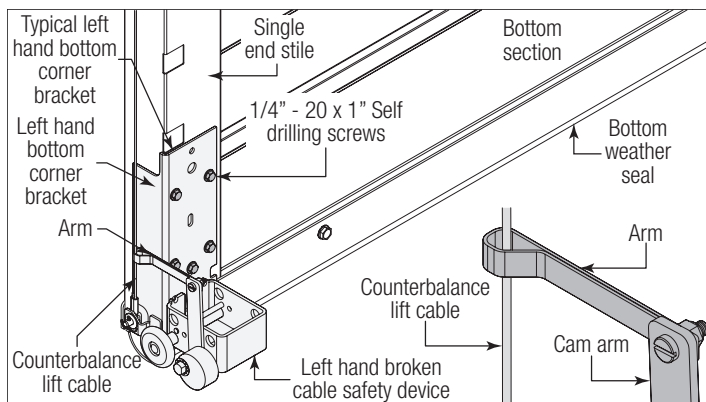


Figure 16, Left Side Shown

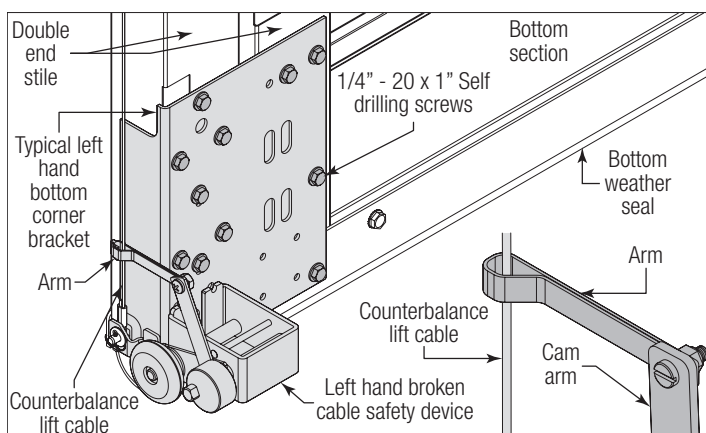


Figure 17, Left Side Shown

## 6 ATTACHING HINGES

**NOTE:** Refer to door section identification, located in the pre-installation section of this manual to determine what size sections you need to use as your lock (second) section, intermediate (third) section, intermediate (fourth) section, intermediate (fifth) section, intermediate (sixth) section, intermediate (seventh) section, intermediate (eighth) section, intermediate (ninth) section and top section. Measure your sections to make sure they are the correct height as indicated on the chart.

**NOTE:** The graduated hinges can be identified by the number stamped onto their lower hinge leaf.

See Figure 18 through Figure 20 for the following steps.

6a. The graduated end hinge sequence is dependent on your track size (2" or 3"). Refer to Graduated End Hinge Schedule below.

Section Type	Graduated End Hinge Number		
	2" Track	3" Track (<= 9 Sections)	3" Track (> 9 Sections)
Intermediate IX	N/A	N/A	#8
Intermediate VIII	N/A	N/A	#7
Intermediate VII	N/A	N/A	#7
Intermediate VI	N/A	#10	#6

Section Type	Graduated End Hinge Schedule		
	Graduated End Hinge Number		
	2" Track	3" Track (<= 9 Sections)	3" Track (> 9 Sections)
Intermediate V	#7	#9	#6
Intermediate IV	#6	#8	#5
Intermediate III	#5	#7	#5
Intermediate II	#4	#6	#4
Intermediate I	#3	#5	#4
Lock	#2	#4	#3
Bottom	#1	#3	#3

### To Install End Hinges:

6b. Locate the bottom section and the appropriate number of graduated end hinges (Reference Graduated End Hinge Schedule chart) for the end stiles.

6c. Starting on the left hand side of the bottom section, align the lower hinge leaf of the graduated end hinge over the two punch marks, located at the top of the single end stile. **If You Have Double End Stiles**, align the other lower hinge leaf of the graduated end hinge over the punch marks, located at the top of the inner end stile.

6d. Attach lower hinge leaf(s) to the section using (2) 1/4" - 20 x 1" self drilling screws.

6e. Repeat the same process for the right hand side.

6f. Insert the appropriate short / long stem track roller into each graduated end hinge.

### To Install Center Hinges:

6g. Starting at the center of the bottom section, align the lower hinge leaf of the #1 center hinge over the two punch marks, located at the top of the center stile(s).

6h. Attach lower hinge leaf to the section using (2) 1/4" - 20 x 1" self drilling screws.

6i. Repeat the same process for other center hinges, if applicable.

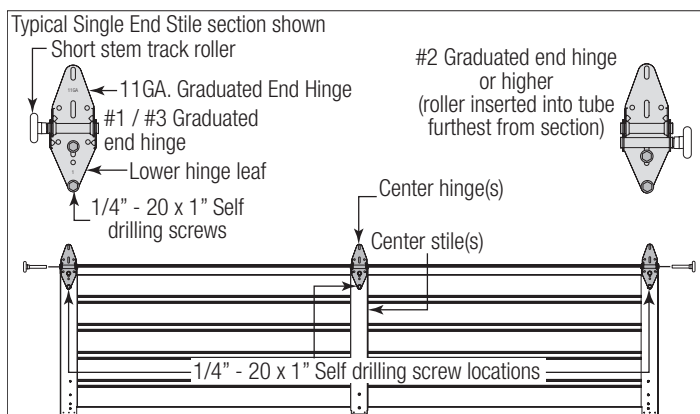
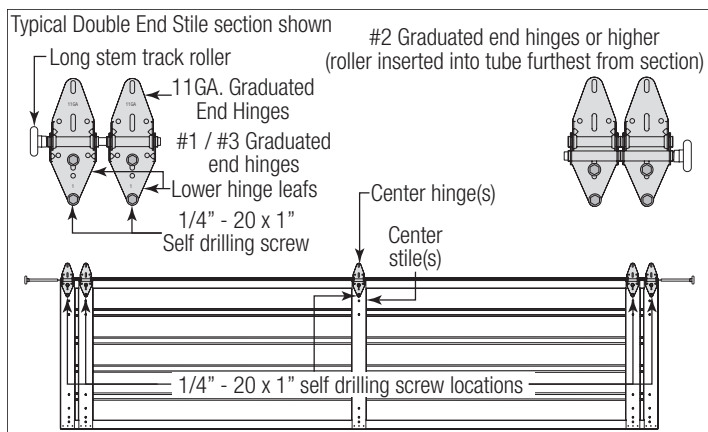


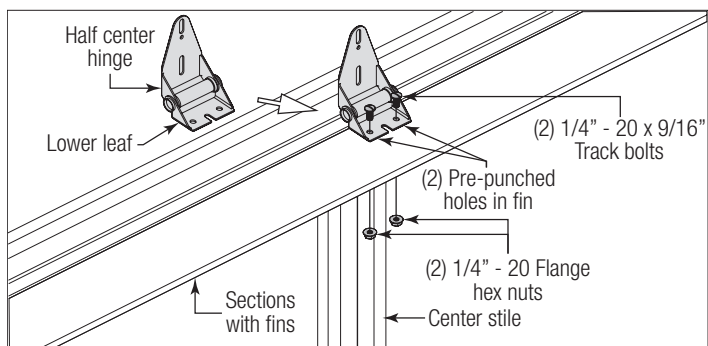
Figure 18, Left Side Shown



**Figure 19, Left Side Shown**

**To Install Half Center Hinges On Aluminum Full View Sections With Fins:**

- 6g. Position the half center hinge on top of the fin and in front of the center stile.
- 6h. Align the bottom (2) holes in the half center hinge over the (2) pre-punch holes in the fin. Secure the half center hinge to the fin using (2) 1/4" - 20 x 9/16" track bolts and (2) 1/4" - 20 flange hex nuts.
- 6i. Repeat the same process for the other half center hinges.



**Figure 20, Left Side Shown**

**IMPORTANT:** Once the 1/4" - 20 x 1" self drilling screws are snug against the lower hinge leaves, tighten an additional 1/4 to 1/2 turn to receive maximum design holding power.

**IMPORTANT:** Push & hold the hinge leaf securely against the section while securing with 1/4" - 20 x 1" self drilling screws. There should be no gap between the hinge leaf and the section.

- 6j. Repeat graduated end hinge / center hinge / half center hinge attachment using the appropriate graduated end hinges for all remaining sections, except for the top section.

**IMPORTANT:** When placing track rollers into the #2 graduated end hinges and higher, the track roller goes into hinge tube furthest away from section.

## 7 ATTACHING TOP HEAD SEAL

**NOTE:** If you don't have a top head seal, then skip this step. Refer to Package Contents / Breakdown of Parts, to determine if you have a top head seal.

**NOTE:** Refer to door section identification, located in the pre-installation section of this manual. Refer to Package Contents / Breakdown of Parts, to determine your top section.

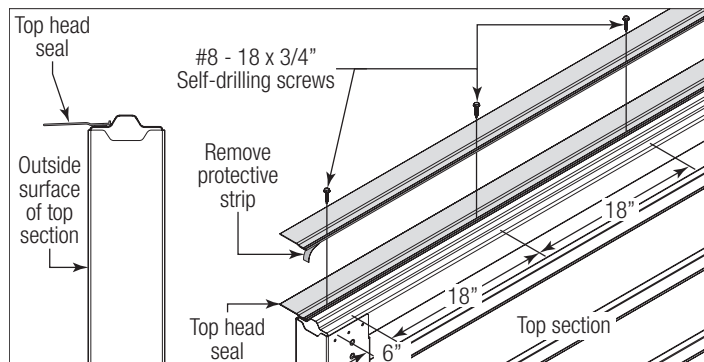


**VERIFY TOP HEAD SEAL IS ALIGNED WITH THE FLAT PORTION OF THE TOP SECTION, PRIOR TO FASTENING.**

**NOTE:** Only install the screws into the flat portion of the top head seal.

**See Figure 21 for the following steps.**

- 7a. Cut the top head seal (if needed) to the width of the top section.
- 7b. Remove the protective strip from the adhesive tape on the top head seal.
- 7c. Install the top head seal onto the top outer edge (flat) of the top section.
- 7d. Secure the top head seal to the top section using #8 - 18 x 3/4" self-drilling screws, placing one 6" in from each end of the top section and one every 18" (maximum) in between.



**Figure 21, Left Side Shown**

## 8 ATTACHING TOP FIXTURES / STRUTTING

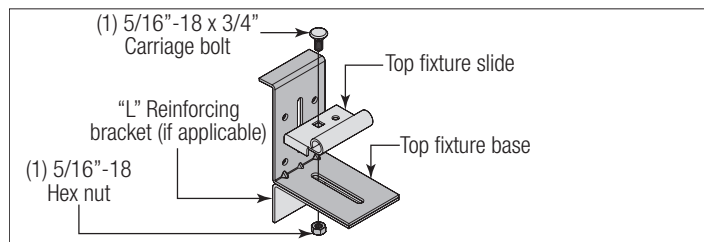
**NOTE:** Refer to Door Section Identification / Breakdown of Parts to determine how many top fixtures you have.

**NOTE:** If your door came with two top fixtures, then one top fixture and a short stem track roller are required for each side.

**NOTE:** If your door came with four top fixtures, then two top fixtures and a long stem track roller are required for each side.

**See Figure 22 through Figure 26 for the following steps.**

- 8a. Loosely secure the top fixture slide and the "L" reinforcement bracket (if applicable) to the top fixture base using (1) 5/16" - 18 x 3/4" carriage bolt and (1) 5/16" - 18 hex nut, as shown.
- 8b. Repeat for other top fixture assemblies.



**Figure 22**

**NOTE:** The top section only receives a strut (if applicable) and does not require graduated end hinges and center hinges to be installed onto the section.

- 8c. Position the top fixture base on top of the top section.
- 8d. If your top section does not require a strut (reference strutting schedules below), then secure the top fixture(s) to the section using (2) 1/4" - 20 x 1" self drilling screws. If your top section does require a strut, then position the strut on top of the top fixtures. Center the strut side to side on the section. Secure the strut and top fixtures to the section using (2) 1/4" - 20 x 1" self drilling screws for each top fixture and (2) 1/4" - 20 x 1" self drilling screws at each center stile location.
- 8e. Secure the "L" reinforcement bracket (if applicable) to the top section using (1) 1/4" - 20 x 11/16" self drilling screw.
- 8f. Repeat the same process for other top fixture assembly(s).
- 8g. Insert the appropriate short / long stem track roller into top fixture slide(s).



8h. The top fixture assembly will be tightened and adjusted later, in step, Adjusting Top Fixtures.

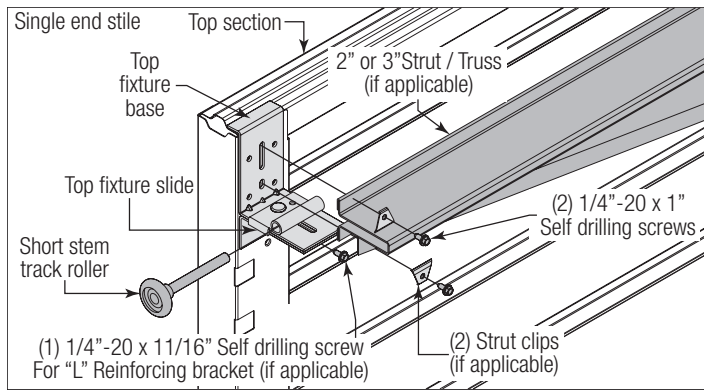


Figure 23, Left Side Shown

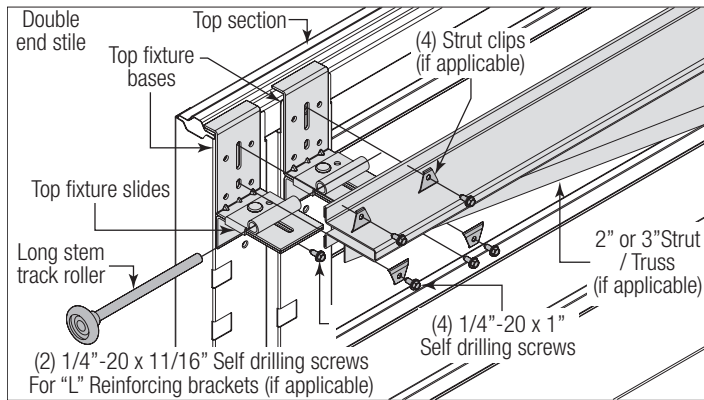


Figure 24, Left Side Shown

**NOTE:** If your door is to be trolley operated, it is required that a strut be installed along the top rail.

**NOTE:** Refer to the strutting schedules below to determine the quantity of strut(s) on your door. Be sure to use the proper schedules for the type of door model and the size of your door.

**IMPORTANT:** When referring to the strutting schedules, determine how many struts your door needs.

**NOTE:** Sections not noted in the strutting schedule, do not require a strut. All strut(s) are placed at the top of the section(s) and or under the graduated end / center hinges.

**Strut Installation On All Sections (Except Top Section):**

8i. Place the strut on the appropriate section up against the bottom of the hinges.

8j. Center the strut side to side on the section surface.

8k. Secure the strut to the section using (2) 1/4" - 20 x 1" self drilling screws at each end hinge and center hinge location.

**IMPORTANT:** Once the 1/4" - 20 x 1" self drilling screws are snug against the lower hinge leaves, tighten an additional 1/4 to 1/2 turn to receive maximum design holding power.

8l. Repeat the same process for all remaining sections, except the top section.

Quantity of Struts	Strut Placement
1	Top Of Top Section
2	Top Of Top Section
	Top Of Bottom Section below the end hinges
3 Or More	Top Of Top Section
	Top Of Bottom Section below the end hinges
	The Rest Are Equally Divided Among The Joints And Installed On The Top Of The Sections Below The End Hinges First And Then The Bottom Of The Sections Thereafter.

Models CX-2400, CX-2400E Strutting, Door Width <= 20'2"		
Door Width	Door Height	Number Of Struts
<= 15'11"	<= 16'1"	N/A
16'0" - 16'2"	>= 6'4" to <= 10'1"	(3) 2"
	>= 10'3" to <= 14'1"	(4) 2"
	>= 14'2" to <= 16'1"	(5) 2"
16'3" - 18'2"	>= 6'4" to <= 8'1"	(4) 2"
	>= 8'3" to <= 11'6"	(5) 2"
	>= 11'9" to <= 12'1"	(6) 2"
	>= 12'3" to <= 14'1"	(7) 2"
	>= 14'2" to <= 16'1"	(8) 2"
18'3" - 20'2"	>= 6'4" to <= 8'1"	(3) 3"
	>= 8'3" to <= 11'6"	(4) 3"
	>= 11'9" to <= 14'1"	(5) 3"
	>= 14'2" to <= 16'1"	(6) 3"

Model CX-24 Strutting, Door Width <= 24'2"		
Door Width	Door Height	Number Of Struts
<= 15'11"	<= 24'1"	N/A
16'0" - 16'2"	>= 6'4" to <= 9'6"	(2) 2"
	>= 9'9" to <= 12'1"	(3) 2"
	>= 12'3" to <= 16'1"	(4) 2"
	>= 16'3" to <= 18'1"	(5) 2"
	>= 18'3" to <= 20'1"	(6) 2"
	>= 20'3" to <= 22'1"	(7) 2"
16'3" - 18'2"	>= 22'3" to <= 24'1"	(8) 2"
	>= 6'4" to <= 10'1"	(4) 2"
	>= 10'3" to <= 12'1"	(5) 2"
	>= 12'3" to <= 14'1"	(6) 2"
	>= 14'3" to <= 18'1"	(7) 2"
	>= 18'3" to <= 20'1"	(8) 2"
	>= 20'3" to <= 22'1"	(9) 2"
>= 22'3" to <= 24'1"	(10) 2"	

Model CX-24 Strutting, Door Width <= 24'2"		
Door Width	Door Height	Number Of Struts
18'3" - 20'2"	> = 6'4" to < = 9'1"	(3) 3"
	> = 9'3" to < = 12'1"	(4) 3"
	> = 12'3" to < = 16'1"	(5) 3"
	> = 16'3" to < = 18'1"	(6) 3"
	> = 18'3" to < = 20'1"	(7) 3"
	> = 20'3" to < = 22'1"	(8) 3"
	> = 22'3" to < = 24'1"	(9) 3"
20'3" - 22'2"	> = 6'4" to < = 8'1"	(4) 3"
	> = 8'3" to < = 10'1"	(5) 3"
	> = 10'3" to < = 12'1"	(6) 3"
	> = 12'3" to < = 14'1"	(7) 3"
	> = 14'3" to < = 16'1"	(8) 3"
	> = 16'3" to < = 18'1"	(9) 3"
	> = 18'3" to < = 20'1"	(10) 3"
	> = 20'3" to < = 22'1"	(11) 3"
	> = 22'3" to < = 24'1"	(12) 3"
22'3" - 24'2"	> = 6'4" to < = 8'1"	(6) 3"
	> = 8'3" to < = 9'1"	(7) 3"
	> = 9'3" to < = 11'1"	(8) 3"
	> = 11'3" to < = 12'1"	(9) 3"
	> = 12'3" to < = 14'1"	(10) 3"
	> = 14'3" to < = 16'1"	(12) 3"
	> = 16'3" to < = 18'1"	(13) 3"
	> = 18'3" to < = 20'1"	(14) 3"
	> = 20'3" to < = 22'1"	(15) 3"
	> = 22'3" to < = 24'1"	(16) 3"

Model CX-20 Strutting, Door Width <= 24'2"		
Door Width	Door Height	Number Of Struts
< = 15'11"	< = 24'1"	N/A
16'0" - 16'2"	> = 6'4" to < = 12'1"	(2) 2"
	> = 12'3" to < = 18'1"	(3) 2"
	> = 18'3" to < = 20'1"	(4) 2"
	> = 20'3" to < = 22'1"	(5) 2"
	> = 22'3" to < = 24'1"	(6) 2"
16'3" - 18'2"	> = 6'4" to < = 11'1"	(3) 2"
	> = 11'6" to < = 14'1"	(4) 2"
	> = 14'3" to < = 18'1"	(5) 2"
	> = 18'3" to < = 20'1"	(7) 2"
	> = 20'3" to < = 22'1"	(8) 2"
18'3" - 20'2"	> = 22'3" to < = 24'1"	(9) 2"
	> = 6'4" to < = 11'3"	(3) 3"
	> = 11'6" to < = 14'1"	(4) 3"
	> = 14'3" to < = 18'1"	(5) 3"
	> = 18'3" to < = 20'1"	(6) 3"
> = 20'3" to < = 22'1"	(7) 3"	
> = 22'3" to < = 24'1"	(8) 3"	

Model CX-20 Strutting, Door Width <= 24'2"		
Door Width	Door Height	Number Of Struts
20'3" - 22'2"	> = 6'4" to < = 10'1"	(4) 3"
	> = 10'3" to < = 12'1"	(5) 3"
	> = 12'3" to < = 14'1"	(6) 3"
	> = 14'3" to < = 18'1"	(7) 3"
	> = 18'3" to < = 20'1"	(9) 3"
	> = 20'3" to < = 22'1"	(10) 3"
	> = 22'3" to < = 24'1"	(11) 3"
	22'3" - 24'2"	> = 6'4" to < = 8'1"
> = 8'3" to < = 10'1"		(6) 3"
> = 10'3" to < = 12'1"		(7) 3"
> = 12'3" to < = 14'1"		(8) 3"
> = 14'3" to < = 16'1"		(10) 3"
> = 16'3" to < = 18'1"		(11) 3"
> = 18'3" to < = 20'1"		(12) 3"
> = 20'3" to < = 22'1"		(13) 3"
> = 22'3" to < = 24'1"		(14) 3"

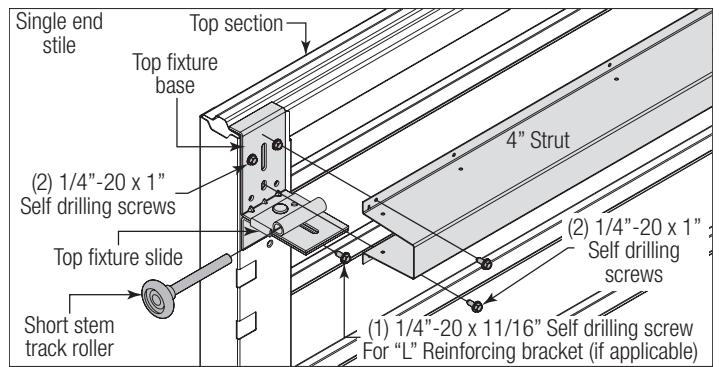


Figure 25, Left Side Shown

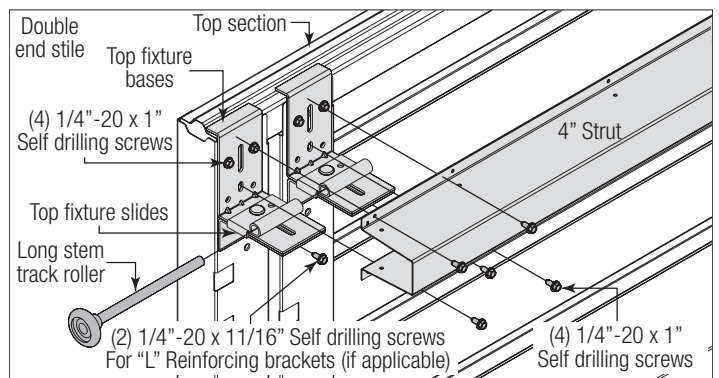


Figure 26, Left Side Shown

## 9 STEP PLATE

**CAUTION**

DO NOT DRILL THROUGH OR ENLARGE HOLES ON THE INSIDE OF THE DOOR SECTION.

See Figure 27 for the following steps.

9a. Locate the center most center stile on the bottom section of the door.

9b. On the inside of the door and using the pre-punched holes at the bottom of the center stile as a template, drill (2) 7/32" dia. holes through the section.

9c. Using the previously drilled holes as a guide, enlarge the holes from outside the door to 7/16" dia. and assemble the outside and inside step plates to the section using (2) #8 x 1-5/8" screws.

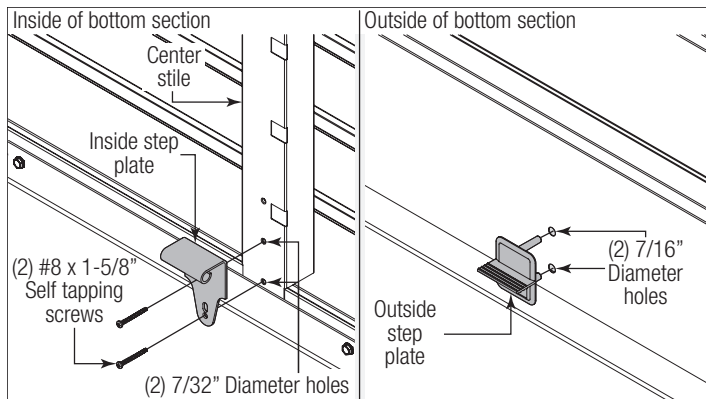


Figure 27

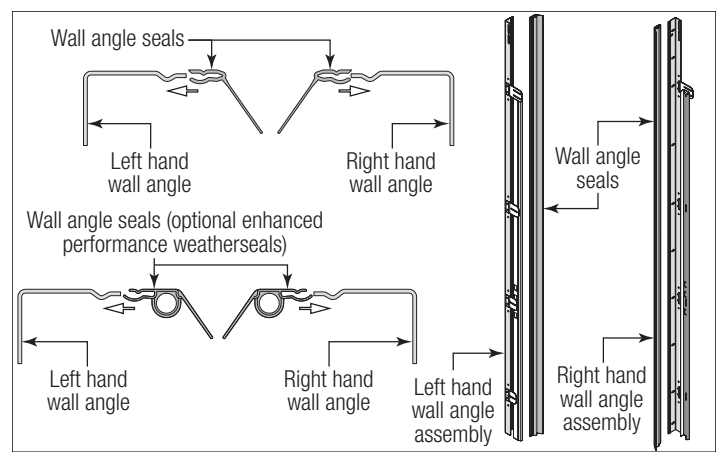


Figure 29

## 10 POSITIONING BOTTOM SECTION

See Figure 28 for the following steps.

**NOTE:** For wider size doors, more than two wooden shims (shown in illustration) might be needed to level the bottom section.

10a. Center the bottom section in the door opening.

10b. Use a level and wood shims (if necessary) to level the bottom section. When the bottom section is leveled, temporarily hold it in place by driving a nail into the jamb and bending it over the edge of the bottom section on both sides.

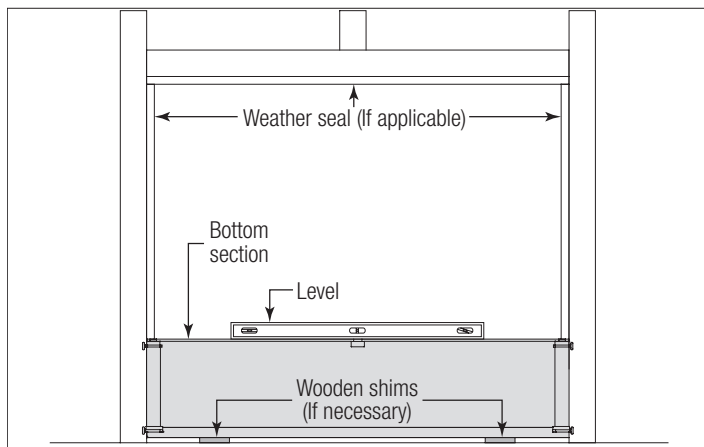


Figure 28

## 11 ATTACHING WALL ANGLE SEALS

**NOTE:** If you don't have wall angle seals, then skip this step. Refer to Package Contents and/or illustrations below, to determine which wall angle seals you have received.

See Figure 29 for the following steps.

11a. Starting with the left hand wall angle, align the profile of the wall angle seal with the inside edge of wall angle.

11b. Slide wall angle seal over the inside edge of wall angle until seal is flush up against the edge of wall angle.

11c. Repeat the same process for the right hand side wall angle.

## 12 ATTACHING VERTICAL TRACKS TO JAMBS

**IMPORTANT:** Depending on your door, you may have Fully Adjustable Flag Angles, Riveted Vertical Track Assemblies or you may have Angle Mount Vertical Track Assemblies. Refer to Package Contents / Breakdown of Parts, to determine which Flag Angles / Vertical Track Assemblies you have.

**IMPORTANT:** If this door is to be installed prior to a finishing construction of the building's floor, the vertical tracks and the door bottom section assembly should be installed such that when the floor is constructed, no door or track parts are trapped in the floor construction.

**IMPORTANT:** If the bottom section was leveled with shims, the vertical track on the shimmed side must be raised the same height as the shim. Recheck the top of the vertical tracks to be level from side to side.

**IMPORTANT:** Make sure the counterbalance lift cable is located between the track rollers and the door jamb.

See Figure 30 and Figure 31 for the following steps.

12a. Starting on the left hand side of the bottom section, remove the nail. Position the left hand vertical track assembly over the track rollers of the bottom section and install, as shown. Drill 3/16" pilot holes into the door jamb for the lag screws.

Loosely fasten wall angles to one of the following scenarios listed below:

- Wood jambs, using 5/16" x 1-5/8" lag screws. Drill 3/16" pilot holes into the wood jamb for the lag screws.
- Steel jambs, using 5/16" x 1" self drilling screws.
- Pre-cast concrete, using 3/8" x 3" sleeve anchor (not supplied).

**NOTE:** Products being installed to pre-cast or block must use a 3/8" x 3" sleeve anchor to attach the wall angle to the building, as shown. Use the slots in the wall angle as a drill template and drill a 3/8" hole (3-1/2" deep) and secure to anchor.

### **WARNING**

**DO NOT USE SLEEVE ANCHORS ON HOLLOW BLOCK.**

**For 2" Track:**

12b. Tighten fasteners, securing the bottom jamb bracket in the vertical track assemblies / bottom slot in the wall angle to jamb, maintain 3/8" to 5/8" spacing, between the bottom section and vertical track.

**For 3" Track:**

12b. Tighten fasteners, securing the bottom jamb bracket in the vertical track assemblies / bottom slot in the wall angle to jamb, maintain 1/2" to 3/4" spacing, between the bottom section and vertical track.

12c. Allow proper clearance as shown and use the values as illustrated in the Side Room Requirements (Minimum Distance Required), located in the pre-installation section of this manual.

12d. Hang counterbalance lift cable over flag angle / angle mount. Repeat same process for other side.

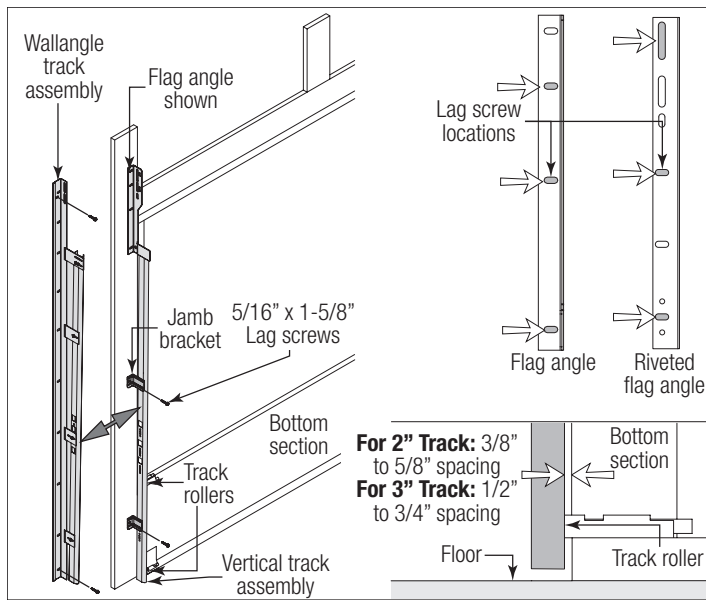


Figure 30

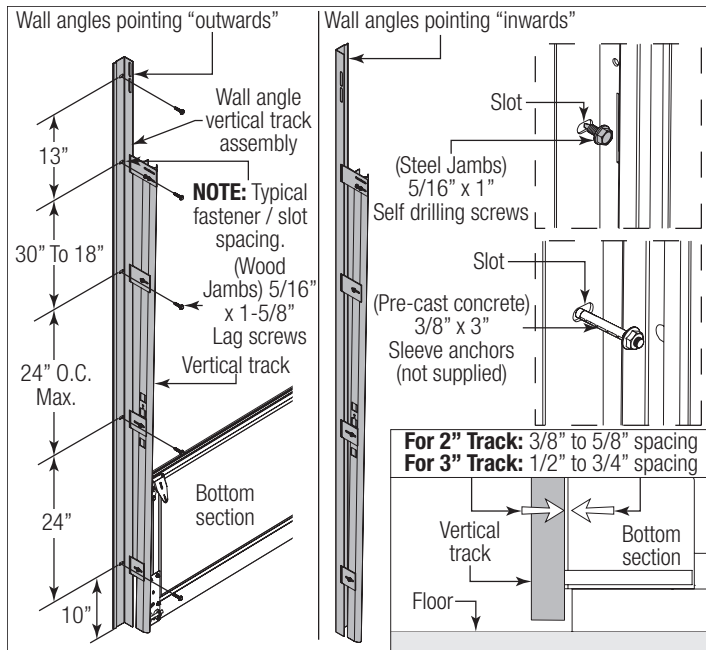


Figure 31

**IMPORTANT:** Push and hold the hinge leaf securely against the sections while securing with 1/4" - 20 x 1" self drilling screws. Ensure there is no gap between the hinge leaves and the sections.

See Figure 32 and Figure 33 for the following steps.

- 13a. Install track rollers into graduated end hinges of remaining sections.
- 13b. With a helper, lift second section and guide the track rollers into the vertical tracks. Lower section until it is seated against bottom section.
- 13c. Flip hinges up. Fasten center hinge(s) box hinge(s) with 1/4" - 20 x 1" self drilling screws. Repeat for end hinges and center hinge(s).
- 13d. Repeat same process for other sections, except top section.

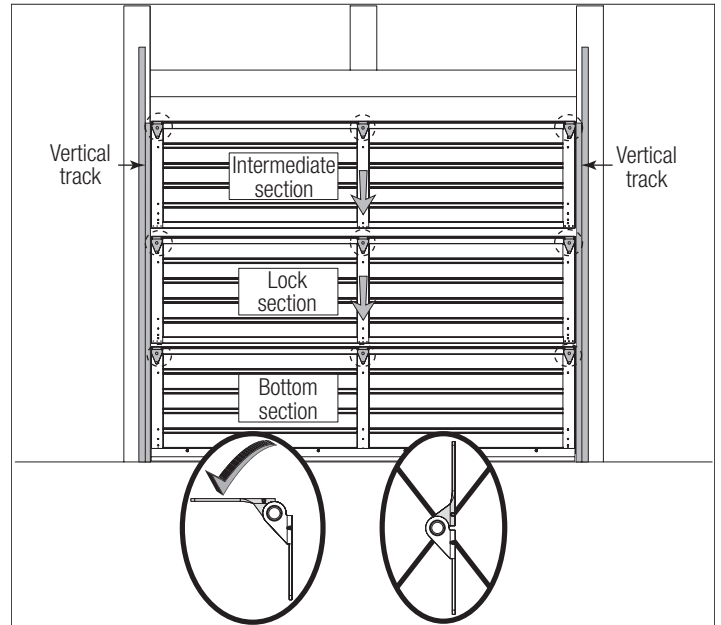


Figure 32

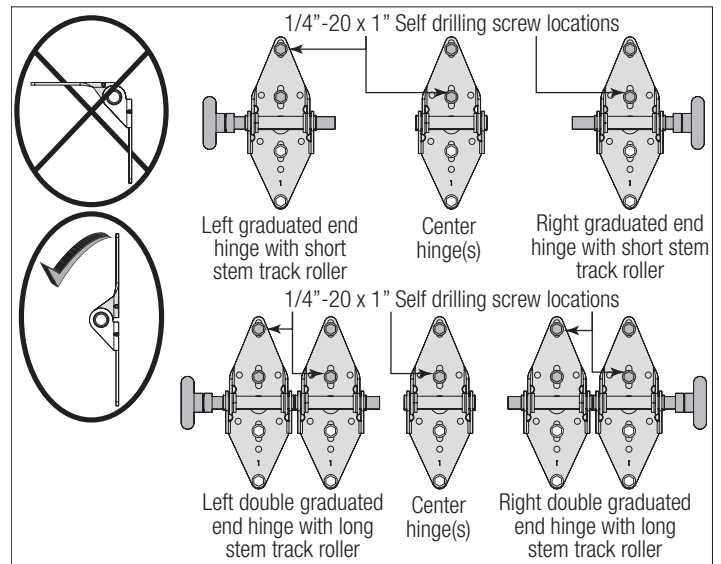


Figure 33

### 13 STACKING SECTIONS

**NOTE:** Refer to door section identification, located in the pre-installation section of this manual to determine what size sections you need to use as your lock (second) section, intermediate (third) section, intermediate (fourth) section, intermediate (fifth) section, and intermediate (sixth) section. Measure your sections to make sure they are the correct height as indicated on the chart.

### NOTICE

BEFORE STACKING SECTIONS, MAKE SURE GRADUATED END AND CENTER HINGES ARE FLIPPED DOWN TO AVOID POSSIBLE DAMAGE TO YOUR DOOR, WHEN STACKING ANOTHER SECTION ON TOP.

### 14 ATTACHING LIFT HANDLES TO SECTION

**NOTE:** Doors with a Keyed lock do not require this lift handle.



## CAUTION

**DO NOT DRILL THROUGH OR ENLARGE HOLES ON THE INSIDE OF THE DOOR SECTION.**

**IMPORTANT:** The distance between the step plate and the middle of the lift handle must be 20" minimum to 30" maximum. If necessary, reposition the upper lift handle to stay within the required dimension.

See Figure 34 for the following steps.

14a. Locate the inside center stile or the desired lift handle location on the lock (2nd) section of the door. Straddle the lift handle over the first encountered section rib of the lock (2nd) section.

14b. Using the lift handle holes as a template, drill two 9/32" dia. holes through the lock section.

14c. Enlarge the holes from the outside the door to 1/2" dia.

14d. Assemble the outside and inside lift handles to the lock section using two spacers, two 1/4" - 20 x 2-1/2" carriage bolts and two 1/4" - 20 hex nuts.

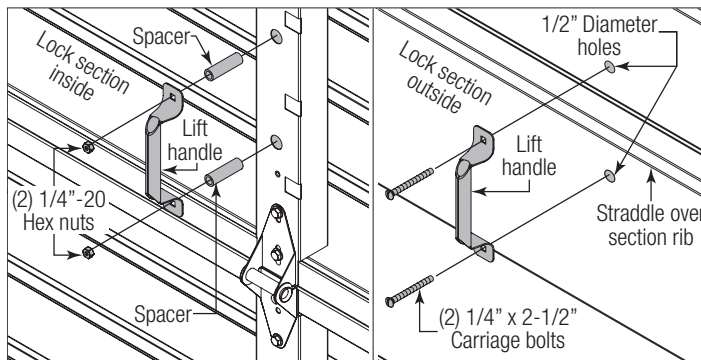


Figure 34

## 15 STACKING TOP SECTION

**IMPORTANT:** The dimension between the flag angles or angle mounts must be door width plus 3-3/8" - 3-1/2" (86 mm - 89 mm) for 2" Track Applications, door width plus 4-7/8" (124mm) to 5" (127 mm) for 3" Track Applications.

See Figure 35 for the following steps.

15a. Place the top section in the opening, on top of the section stacked.

15b. Install a nail to temporarily hold the top section.

15c. Flip up the hinge leaves, hold tight against section, and fasten center hinges first and end hinges last (see Stacking Sections).

15d. Position flag angle or angle mount between:

- For 2" Track Applications: 1-11/16" to 1-3/4" (43 mm - 44 mm)
- For 3" Track Applications: 2-3/16" (56 mm) to 2-1/4" (57 mm)

from the edge of the door, then tighten the bottom lag screw. Flag angles or angle mount must be parallel to the door sections. Repeat for other side.

15e. Complete the vertical track installation.

15f. Push the vertical track against the track rollers so that the track rollers are touching the deepest part of the curved side of the track; tighten all the track bolts and nuts.

15g. Repeat same process for other side.

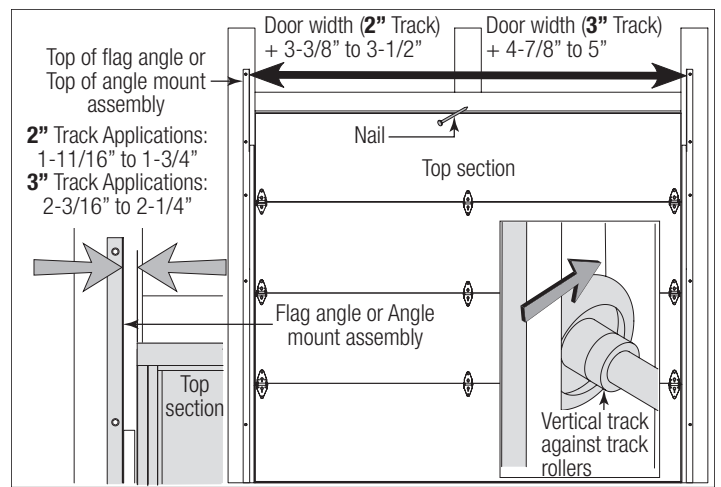


Figure 35

## 16 ATTACHING HORIZONTAL TRACKS

**NOTE:** Depending on your door, you may have Fully Adjustable Flag Angles, Riveted Vertical Track Assemblies or you may have Angle Mount Vertical Track Assemblies. Refer to Package Contents / Breakdown of Parts, to determine which Flag Angles / Vertical Track Assemblies you have.

## WARNING

**DO NOT RAISE DOOR UNTIL HORIZONTAL TRACKS ARE SECURED AT REAR, AS OUTLINED IN STEP 26, ATTACHING REAR BACK HANGS. THE REAR BACK HANGS OR DOOR COULD FALL FROM OVERHEAD POSITION CAUSING DEATH OR SERIOUS INJURY.**

See Figure 36 for the following steps.

**IMPORTANT:** Prior to installing the horizontal tracks, use cables or chains to temporarily suspend the rear portion of horizontal tracks.

## WARNING

**DO NOT USE ROPES, SINCE EDGES OF HORIZONTAL TRACKS AND ANGLES ARE VERY SHARP.**

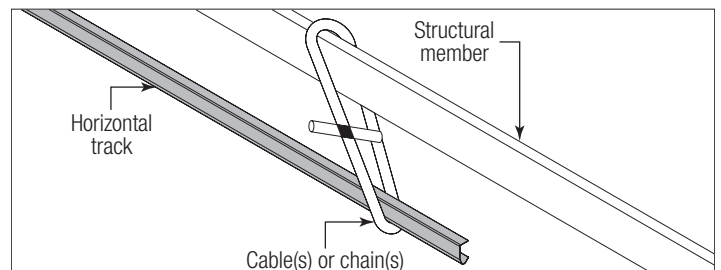


Figure 36, Left Side Shown

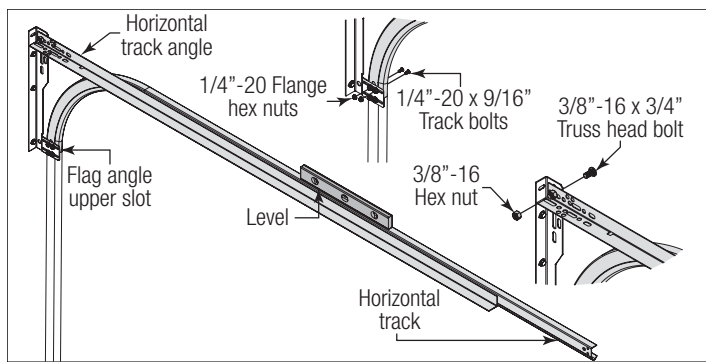
**If You Have Flag Angles:**

See Figure 37 and Figure 39 for the following steps.

16a. Place the curved end of the horizontal track over the top track roller of the top section.

16b. Attach the horizontal track to the flag angle with two 1/4" - 20 x 9/16" track bolts and two 1/4" - 20 flange hex nuts.

16c. Level the horizontal track assembly and bolt the horizontal track angle to the first encountered slot in the flag angle using one 3/8" - 16 x 3/4" truss-head bolt and one 3/8" - 16 hex nut. Repeat for right side.



**Figure 37, Left Side Shown**

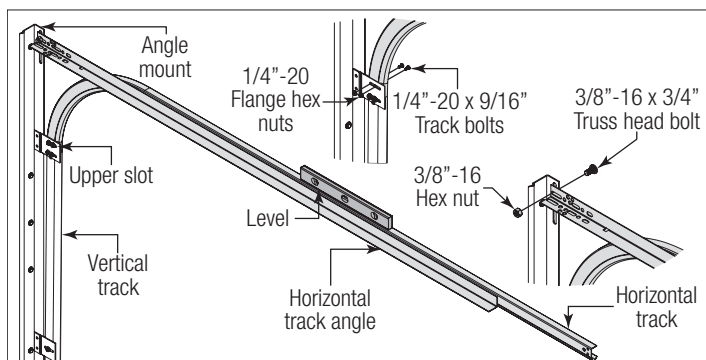
**If You Have Angle Mount:**

See Figure 38 and Figure 39 for the following steps.

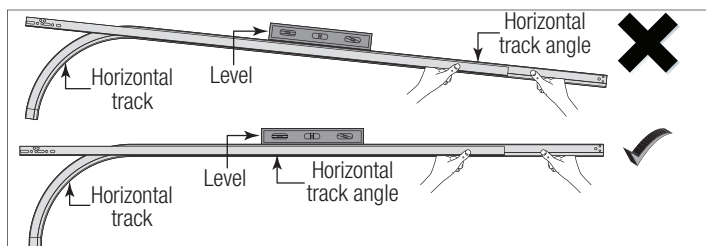
16a. Place the curved end of the horizontal track over the top track roller of the top section.

16b. Attach the horizontal track to the angle mount with two 1/4" - 20 x 9/16" track bolts and two 1/4" - 20 flange hex nuts.

16c. Level the horizontal track assembly and bolt the horizontal track angle to the first encountered slot in the angle mount using one 3/8" - 16 x 3/4" truss-head bolt and one 3/8" - 16 hex nut. Repeat for right side.



**Figure 38, Left Side Shown**



**Figure 39**

16d. When complete, remove the nail that was holding the top section in position.

**NOTICE**

FAILURE TO REMOVE NAIL BEFORE ATTEMPTING TO RAISE DOOR COULD CAUSE PERMANENT DAMAGE TO TOP SECTION.

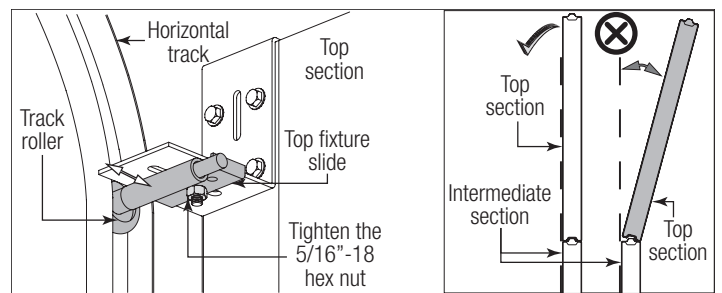
**17 ADJUSTING TOP FIXTURES**

See Figure 40 for the following steps.

17a. Vertically align the top section of the door with the lower sections. Position the top fixture slide with a track roller against the horizontal track.

17b. Maintaining the position of the slide, tighten the 5/16" - 18 nut(s) to secure the top fixture slide to the top fixture base.

17c. Repeat for the right side.



**Figure 40, Left Side Shown**

# COUNTERBALANCE INSTALLATION INSTRUCTIONS

## 18 ATTACHING END BEARING BRACKETS

**NOTE:** Refer to Package Contents or Breakdown Of Parts, to determine which type of end bearing bracket you received.

**IMPORTANT:** Measure the radius of your horizontal track to determine if your horizontal track is 12" or 15" Radius. The end bearing bracket's lower slots are used on doors with 12" radius track, the upper slots are used on doors with 15" radius track.

**IMPORTANT:** Drill 3/16" pilot holes into the door jamb for the lag screws.

**NOTE:** End bearing brackets are right and left hand.

### WARNING

**INSTALL END BEARING BRACKETS TO SOLID STRUCTURAL MEMBERS ONLY. DO NOT INSTALL OVER DRY WALL OR PANELING. FAILURE TO INSTALL END BEARING BRACKETS TO SOLID STRUCTURAL MEMBERS CAN RESULT IN DEATH OR SERIOUS INJURY.**

### WARNING

**FAILURE TO USE PROPER NUMBER OF FASTENERS CAN RESULT IN SUDDEN SPRING TENSION RELEASE, CAUSING DEATH OR SERIOUS INJURY.**

**NOTE:** Spring pads must be securely anchored before proceeding, as shown. The pads must be flush with the jambs.

See Figure 41 through Figure 46 for the following steps.

18a. Attach the left hand end bearing bracket through either the end bearing bracket's upper or lower slots to the left hand horizontal track angle using (2) 3/8" - 16 x 3/4" truss head bolts and (2) 3/8" - 16 nuts.

18b. Secure the end bearing bracket to the jamb using one of the following scenarios listed below:

- Wood jambs, using 5/16" x 1-5/8" lag screw(s). Drill 3/16" pilot holes into the wood jamb for the lag screws.
- Steel jambs, using 5/16" x 1" self drilling screws.
- Pre-cast concrete, using 3/8" x 3" sleeve anchor(s) (not supplied).

**NOTE:** Products being installed to pre-cast or block must use a 3/8" x 3" sleeve anchor to attach the end bearing brackets to the building, as shown. Use the slots in the end bearing bracket as a drill template and drill a 3/8" hole (3-1/2" deep) and secure to anchor.

### WARNING

**DO NOT USE SLEEVE ANCHORS ON HOLLOW BLOCK.**

18c. Repeat the same process for the right hand side.

This illustration shows 12" or 15" radius track with lag screws to Wood Jambs.

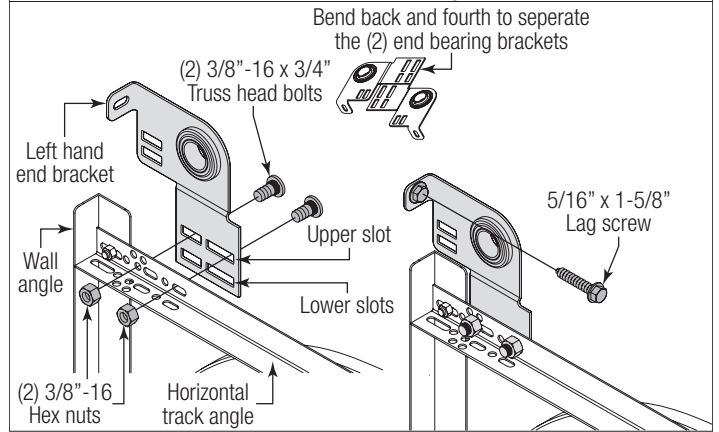


Figure 41, Left Side Shown

This illustration shows 15" radius track with lag screws to Wood Jambs.

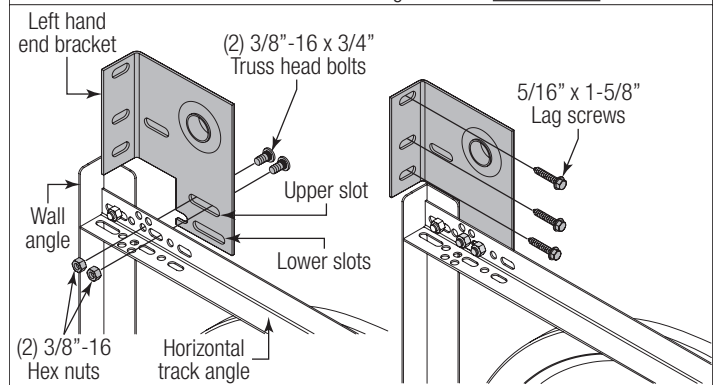


Figure 42, Left Side Shown

This illustration shows 12" or 15" radius track with self drilling screws to Steel.

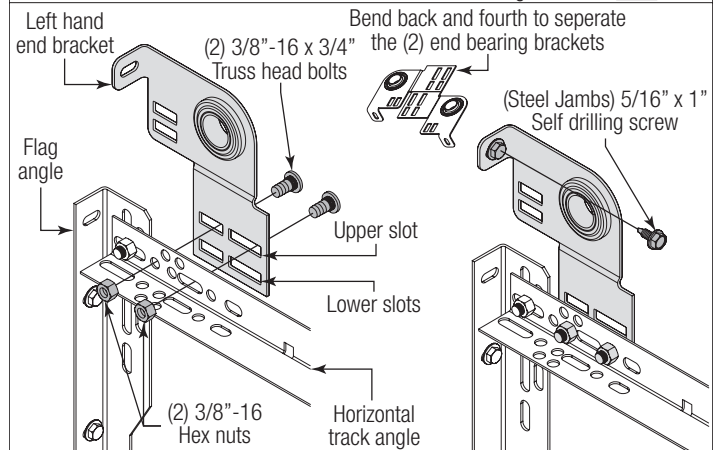


Figure 43, Left Side Shown

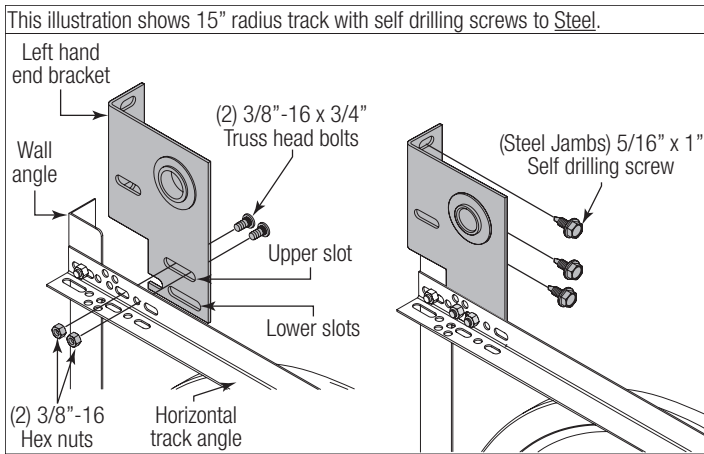


Figure 44, Left Side Shown

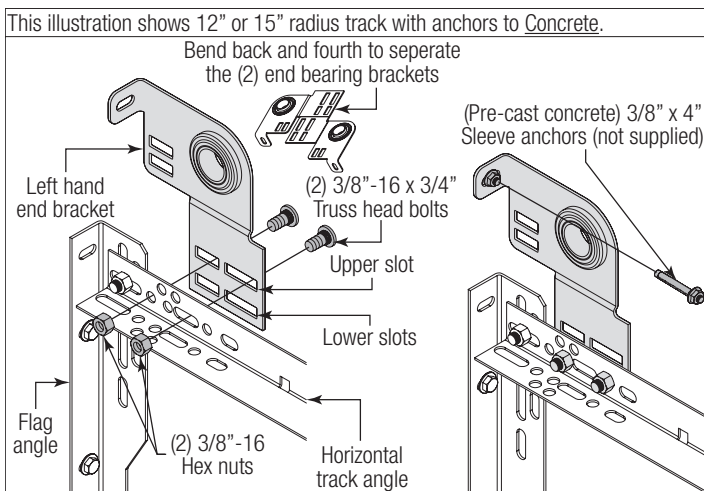


Figure 45, Left Side Shown

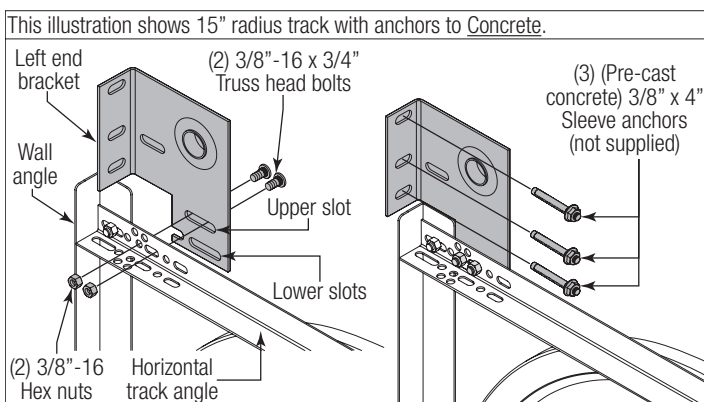


Figure 46, Left Side Shown

**NOTE:** Refer to Package Contents / Breakdown of Parts, to determine if your door came with a coupler assembly. If your door came with a coupler assembly, the mounting surface needs to be a minimum of 17" wide. The two center bearing brackets will need to be spaced 12" to 14" apart at the center of the door, as shown.

**NOTE:** When attaching the center bracket(s) to the spring pads, it has to be at the same elevation as the bearing in the end bearing brackets.

**NOTE:** Additional center brackets may be required for doors with coupler assembly. Refer to Package Contents / Breakdown of Parts, to determine if you have a coupler assembly.

**NOTE:** If your door came with (4) springs or more springs, each of the outer springs mounting surface will need to be a minimum of 3" wide.

**NOTE:** If needed, measure the diameter of your springs. If you have a one piece shaft with 3-3/4" diameter springs, they do not share center brackets and do not have a coupler assembly.

**See Figure 47 through Figure 54 for the following steps.**

19a. First, locate the center of the door.

19b. Mark a vertical pencil line on the mounting surface above the door, at the center.

19c. Measure from the center of the bearing, in one of the end bearing brackets, downwards, to the top of door.

19d. Using that measurement, measure that distance upwards from the top of the door to the mounting surface and mark a horizontal pencil line which intersects the vertical pencil line.

**NOTE:** On some single spring doors, the spring can be longer than half the opening width. If your spring is longer, then the center bracket must be mounted off center for the spring to fit properly. Measure spring length adding room for spring growth during winding, to determine appropriate center bracket location.

19e. Depending on the construction, different fasteners must be used.

19f. Align the edge of the center bracket with the vertical pencil line and the center of the center bracket with the horizontal pencil line; this is to ensure the torsion shaft is level between the center and end bearing brackets.

19g. Secure the center bracket to the mounting surface using one of the following scenarios listed below:

- Wood jamba, using 5/16" x 1-5/8" lag screws. Drill 3/16" pilot holes into the wood jamb for the lag screws.
- Steel jamba, using 5/16" x 1" self drilling and tapping screws.
- Pre-cast concrete, using 3/8" x 3" sleeve anchor (not supplied). This installation will require the 1/2" anchors to be secured to the building and then secure the brackets to the anchors, as shown.

**NOTE:** Pre-Drill 1/2" pilot holes into the pre-cast for the 1/2" x 3" sleeve anchors.

- Block construction: Attach perforated angle 18" long to center bracket(s) using (2) 3/8" x 1-1/4" bolts and (2) 3/8" nuts. Chamfer angle to clear top section high arc. Secure center bracket(s) and perforated angle to block using (4) 3/8" x 2-1/2" sleeve anchors, as shown.

**! WARNING**

**DO NOT USE SLEEVE ANCHORS ON HOLLOW BLOCK.**

**19 ATTACHING CENTER BRACKET TO WALL**

**NOTE:** Refer to Package Contents / Breakdown of Parts, to determine which Center Bracket(s) came with your door.

**! WARNING**

**MAKE SURE THE CENTER BRACKET IS SECURELY INSTALLED ONTO THE HEADER. FAILURE TO DO SO, COULD RESULT IN DEATH OR SERIOUS INJURY.**



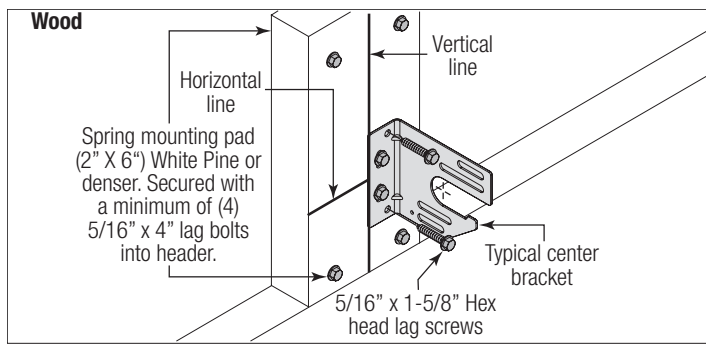


Figure 47

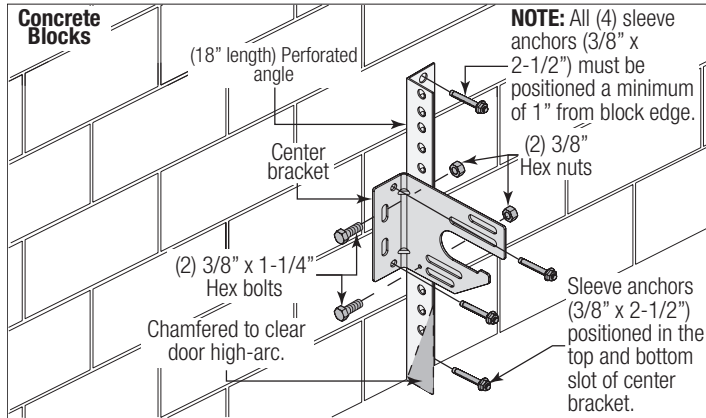


Figure 48

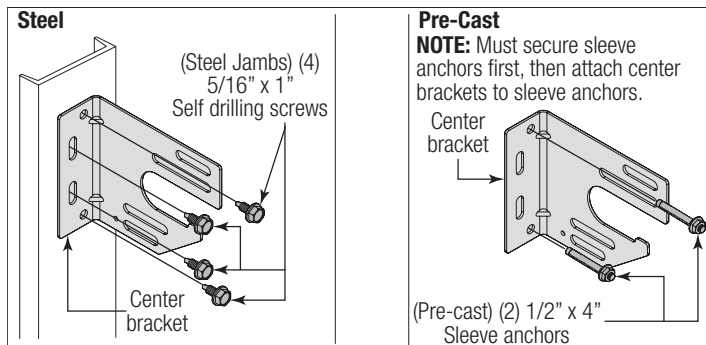


Figure 49

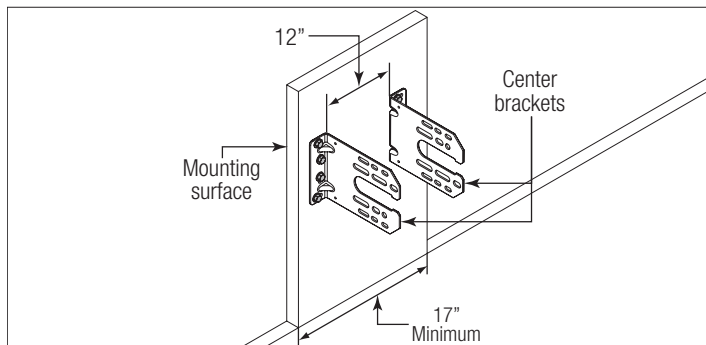


Figure 50

**For Alternate Steel Spring Pad Applications:**

**IMPORTANT:** DO NOT Bolt two 3-3/4\"/>

**! WARNING**

**MAXIMUM SPACING FOR DIMENSION “Y” IS 84” (7 FT.) THESE INSTRUCTIONS ARE NOT APPLICABLE FOR A SPAN GREATER THAN 84”.**

**Maximum Door Size 9’0” x 9’0” (Maximum Door Weight 210 lb.)**

Cut perforated angle (1-5/8” x 2-3/8” x 11 GA.) to Dim “Y”. Thru-bolt top and bottom of angle to each girt using (4) 3/8” x 1-1/4” bolts and (4) 3/8” nuts. Thru-bolt center bracket to perforated angle using (3) 3/8” x 1-1/4” bolts and (3) 3/8” nuts, as shown.

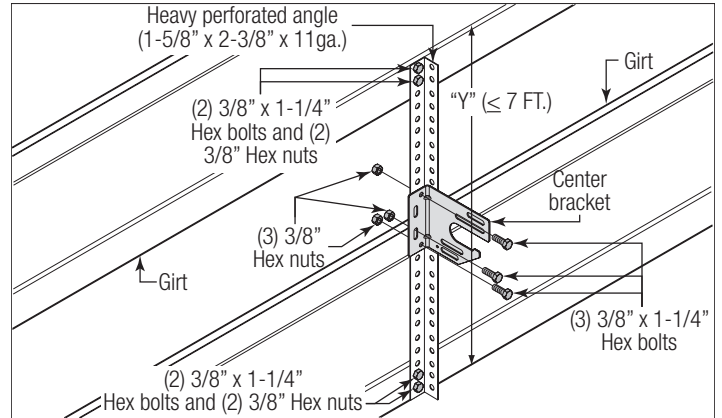


Figure 51

**Maximum Door Size 14’0” x 12’0” (Maximum Door Weight 400 lb.)**

Cut (2) perforated angle (1-5/8” x 2-3/8” x 11 GA.) to Dim “Y”. Thru-bolt top and bottom of each angle to each girt using (4) 3/8” x 1-1/4” bolts and (4) 3/8” nuts. Thru-bolt each center bracket to perforated angle using (3) 3/8” x 1-1/4” bolts and (3) 3/8” nuts, as shown.

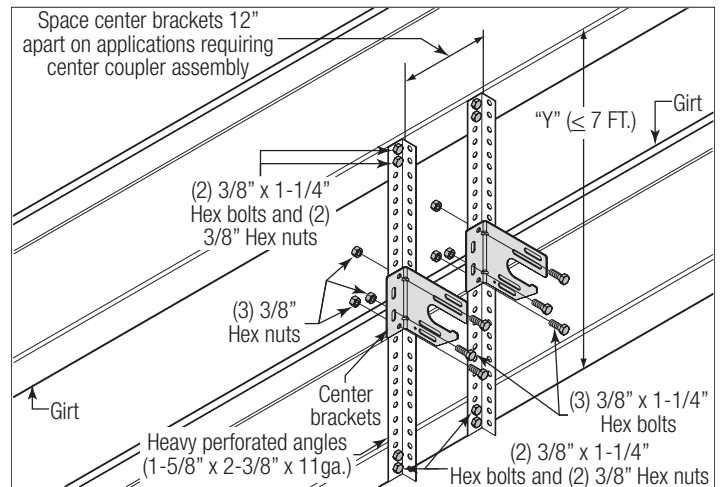


Figure 52

**Maximum Door Size 14’-2” x 12’-1” (Maximum Door Weight 800 lb.)**

Cut (2) pieces of perforated angle (1-5/8” x 2-3/8” x 11 GA.) to Dim “Y” and (2) more pieces at Dim “Y” minus 3”. Bolt the angles together into a “Z” shape using (4) 3/8” x 1-1/4” bolts and (4) 3/8” nuts. Thru-bolt top and bottom of each “Z” shaped angle to each girt using (4) 3/8” x 1-1/4” bolts and (4) 3/8” nuts. Thru-bolt each center bracket to perforated angle assembly using (3) 3/8” x 1-1/4” bolts and (3) 3/8” nuts, as shown.

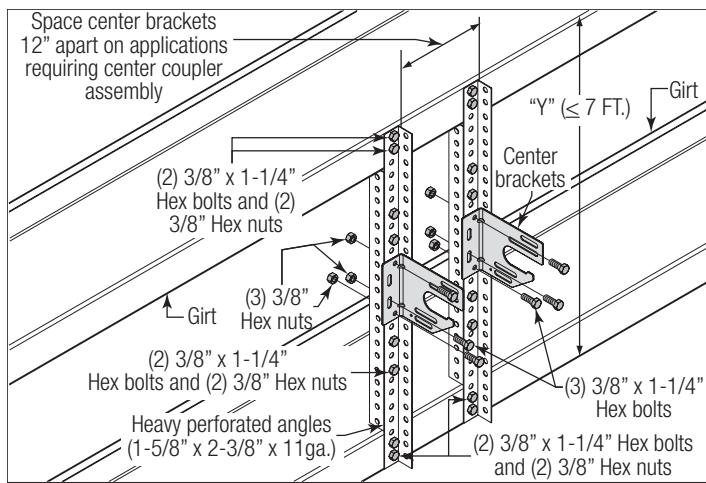


Figure 53

**NOTE:** Tighten the set screws to 14-15 ft-lbs (Once set screws contact the shaft, tighten screws an additional 1/2 turn).

20h. Repeat the same processes for the other coupler half.

**IMPORTANT:** The coupler halves, center bearing(s), torsion springs, oval bearing (if required), and cable drums must be positioned, as shown in the illustrations.

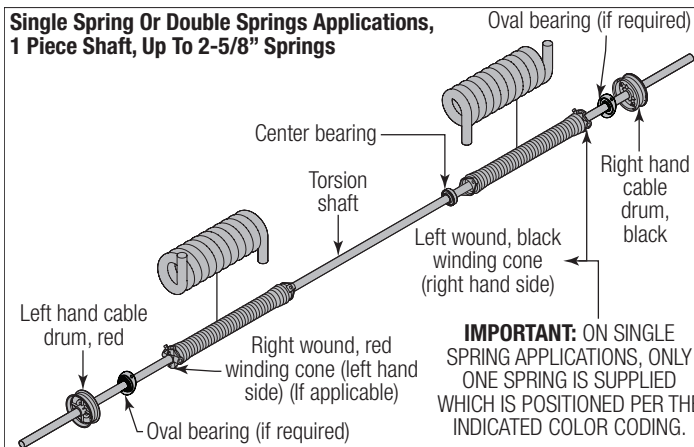


Figure 54

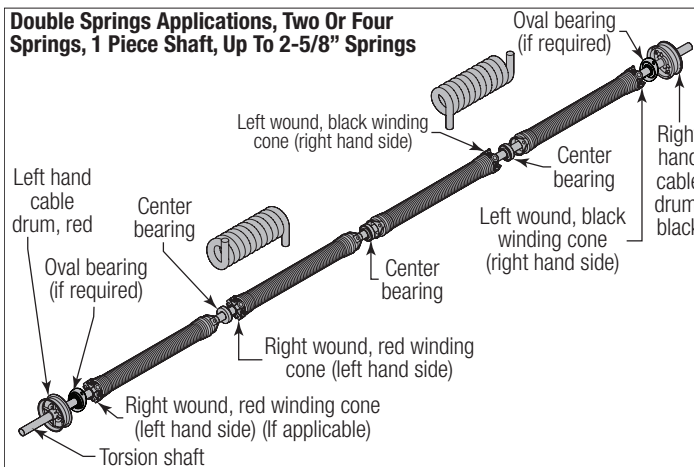


Figure 55

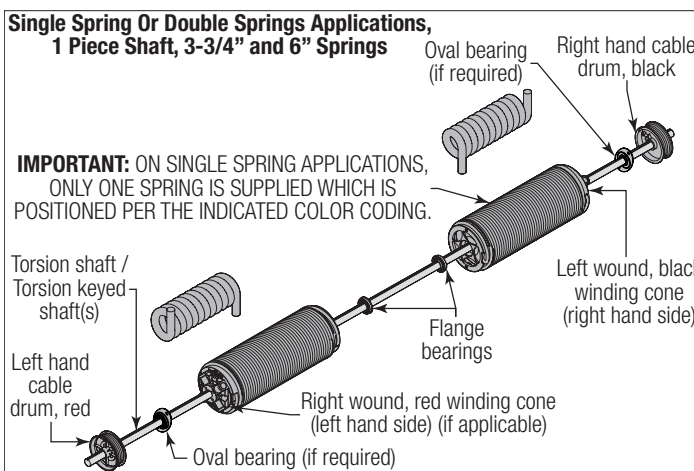


Figure 56

## 20 TORSION SPRING ASSEMBLY

**NOTE:** Refer to the Package Contents and or Breakdown of Parts to determine if your door came with a coupler assembly.

**IMPORTANT:** Right and left hand is always determined from inside the building looking out.

**NOTE:** Torsion spring assemblies can be of several configurations depending on your door size and door weight.

**NOTE:** Identify the torsion springs provided as either right hand wound (red winding cone), which goes on the LEFT HAND SIDE or left hand wound (black winding cone), which goes on the RIGHT HAND SIDE.

**IMPORTANT:** On single spring applications, only a left wound (black winding cone), is required.

**NOTE:** The set screws used on all winding cones and cable drums are colored red. DO NOT identify right and left hand by the set screw color.

See Figure 54 through Figure 59 for the following steps.

20a. Facing the inside of the door and referencing the illustrations shown, lay the torsion shaft / torsion keyed shaft(s) on the floor.

**NOTE:** If your door came with (2) torsion keyed shafts, one torsion keyed shaft should be on the left hand side of the floor and the other torsion keyed shaft should be on the right hand side of the floor.

**NOTE:** If your door was supplied with extra shaft support brackets with oval bearings, install the oval bearings in this step as shown.

20b. Lay the torsion spring(s) with the black winding cone, oval bearing (if required) and the black cable drum at the right end of the torsion shaft / torsion keyed shaft(s).

20c. Lay the torsion spring(s) with the red winding cone, oval bearing (if required) and the red cable drum at the left end of the torsion shaft / torsion keyed shaft(s).

**NOTE:** The set screws used on all torsion winding cones and cable drums are colored red. DO NOT identify right and left hand by the set screw color.

**If You Do Have A Coupler Assembly:**

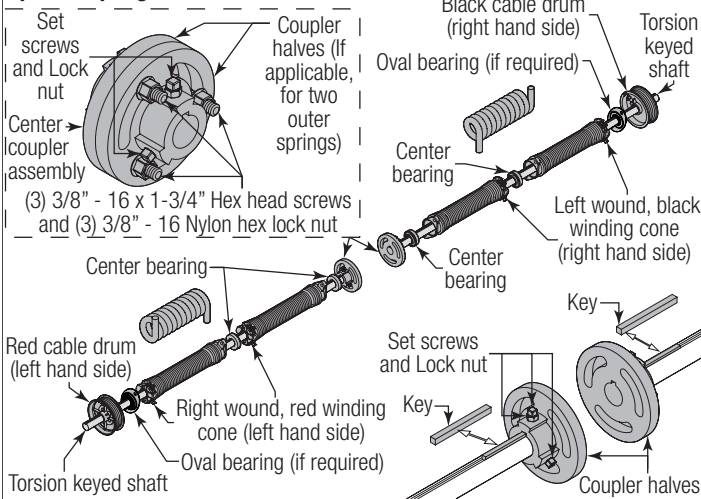
20d. Disassemble the coupler assembly by removing the (3) 3/8" - 16 x 1-3/4" hex head screws and the (3) 3/8" - 16 nylon hex lock nuts from the coupler halves.

20e. Loosen the set screws. Slide the flat edge of the coupler half flush with the side edge of the torsion keyed shaft.

20f. Insert (1) key into the slot of both the coupler halves and the slot in the torsion keyed shaft.

20g. Tighten the (2) set screws and the locking nut to secure the coupler half to the torsion keyed shaft, as shown.

**Double Springs Applications, 2 Piece Shafts, Two or 4 springs, up to 6" Springs.**



**Figure 57**

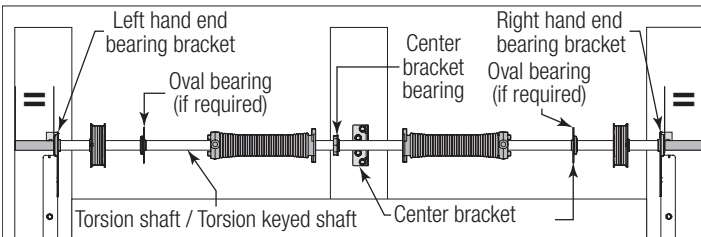
**If You Don't Have A Coupler Assembly:**

20d. With assistance, pick up the torsion spring assembly and slide one end of the torsion shaft / torsion keyed shaft through one end bearing bracket.

20e. Lay the middle of the torsion shaft / torsion keyed shaft into the center bracket.

20f. Slide the other end of the torsion shaft / torsion keyed shaft into the other end bearing bracket.

20g. Position the torsion shaft / torsion keyed shaft so that equal amounts of the shaft extend from each of the end bearing brackets.



**Figure 58**

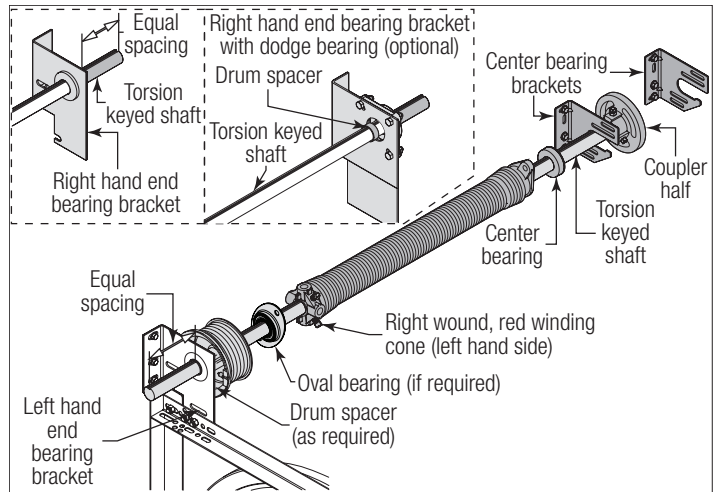
**If Your Door Has A Coupler Assembly:**

20d. With assistance and starting on the left hand side of door, pick up the left hand torsion spring assembly and slide one end of the torsion keyed shaft through the end bearing bracket.

20e. Lay the other side of the torsion keyed shaft into the center bracket.

20f. Repeat the same process for the right hand torsion spring assembly.

20g. Position both torsion keyed shafts so that equal amounts of the shafts extend from each of the end bearing brackets.



**Figure 59, Left Side Shown**

**21 ATTACHING SPRINGS TO CENTER BRACKET**

**NOTE:** Refer to Package Contents / Breakdown of Parts, to determine which Center Bracket(s) came with your door.

**NOTE:** Refer to Package Contents / Breakdown of Parts, to determine if your door came with a coupler assembly.

**IMPORTANT:** The spring warning tag(s) supplied must be securely attached to the stationary spring cone(s) in plain view. Should a replacement spring warning tag be required, contact Wayne Dalton for free replacements.

**NOTE:** Measure the diameter of your springs. If your spring diameter is 3-3/4", the springs do not share center brackets. If your spring diameter is either 2" or 2-5/8", then two springs will share the same center bracket, unless a coupler assembly is provided.

**See Figure 60 through Figure 62 for the following steps.**

**If You Don't Have A Coupler Assembly:**

21a. Slide center bracket bearing into the spring.

21b. Align the stationary spring cone(s) with the holes in the center bracket.

21c. Secure the torsion spring(s) to the center bracket with (2) 3/8" - 16 x 1-1/2" hex head bolts and (2) 3/8" - 16 nuts.

**IMPORTANT:** Never use more than one bearing when attaching two springs to one center bracket.

**If You Have A Coupler Assembly:**

21a. Slide center bracket bearing into the spring.

21b. Align the stationary spring cone with the holes in the center bracket.

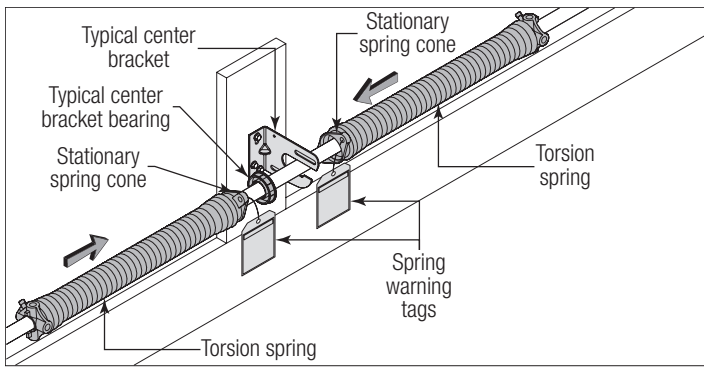
21c. Secure the torsion spring to the center bracket with (2) 3/8" - 16 x 1-1/2" hex head bolts and (2) 3/8" - 16 nuts.

21d. Repeat the same process for the other center bearing bracket.

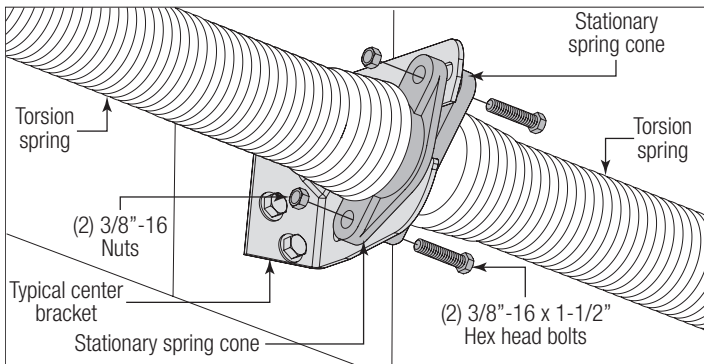
21e. At the middle of the two center bearing brackets, re-assemble the coupler assembly by loosely fastening the coupler halves together using the (3) 3/8" - 16 x 1-1/2" hex head screws, (6) 3/8" washers, (3) 3/8" lock washers and the (3) 3/8" - 16 hex nuts, previously removed.

**NOTE:** Ensure both torsion keyed shafts have equal amounts of the shafts extending from each end bearing bracket.

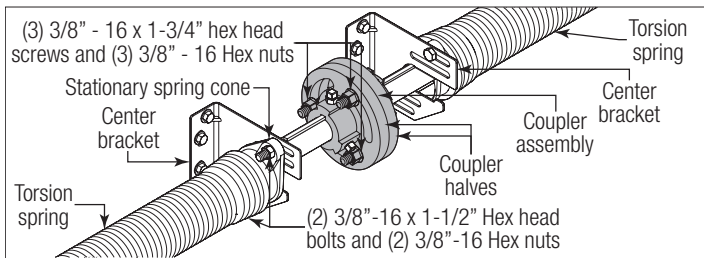




**Figure 60**



**Figure 61**



**Figure 62**

See Figure 63 through Figure 68 for the following steps.

**For Springs Up To 3-3/4" ID And If You Don't Have A Coupler Assembly:**

- 21a. Slide center bearing into the spring (if applicable).
- 21b. Align the stationary spring cone(s) with the holes in the center bracket assembly.
- 21c. Secure the torsion spring(s) to the center bracket assembly with (2) 3/8" - 16 x 1-1/2" hex head bolts and (2) 3/8" - 16 nuts.

**If You Have A Coupler Assembly:**

- 21d. Slide the center bearing into the spring.
- 21e. Align the stationary spring cone with the holes in the center bearing bracket.

**NOTE:** Prior to attaching the torsion spring(s) to the center bracket(s), the torsion shaft / torsion keyed shafts have to be at the same elevation as the bearing in the end bearing brackets. Slide the torsion shaft / torsion keyed shafts out to the correct shaft centerline from the jambs before tightening the spring assembly fasteners.

**For Springs Up To 3-3/4" ID:**

- 21f. Secure the torsion spring to the center bracket with (2) 3/8" - 16 x 1-1/2" hex head bolts and (2) 3/8" - 16 nuts. Repeat the same process for the other center bearing bracket.

**For 6" And Duplex Springs:**

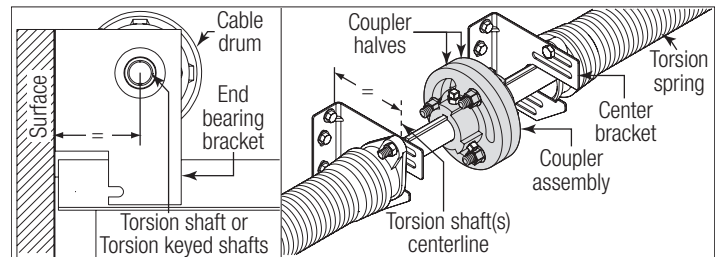
- 21f. Secure the torsion spring and the flange bearing to the center bracket using (2) 3/8" - 16 x 1" Hex head bolts.

**! WARNING**

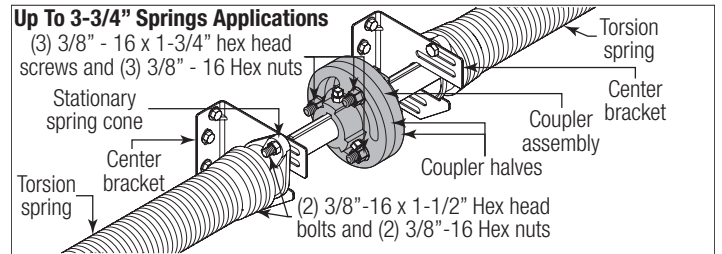
**FOR DUPLEX SPRINGS, YOU MUST ENSURE THE ASSEMBLY BOLTS GO THROUGH THE CENTER BRACKET AND INNER SPRING CONE AND THREAD INTO THE OUTER SPRING CONE, AS SHOWN. FAILURE TO ENSURE THE BOLTS ARE SECURING BOTH THE INNER AND OUTER SPRING CONES TO THE CENTER BRACKET CAN RESULT IN SUDDEN SPRING TENSION RELEASE, CAUSING SEVERE OR FATAL INJURY.**

21g. Loosely re-assemble the coupler assembly by fastening the coupler halves together using the (3) 3/8" - 16 x 1-3/4" hex head screws and the (3) 3/8" - 16 nylon hex lock nuts.

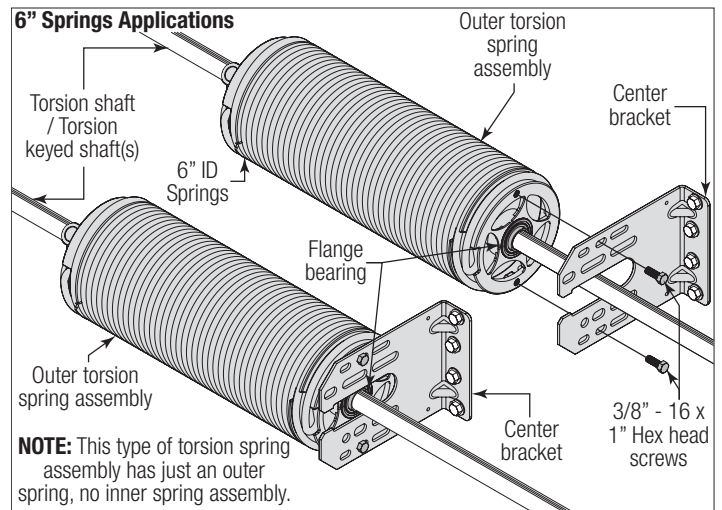
**NOTE:** Ensure both torsion keyed shafts have equal amounts of the shafts extending from each end bearing brackets.



**Figure 63**



**Figure 64**



**Figure 65**



### 6" Duplex Springs Applications

**NOTE:** Prior to securing the center bracket to the torsion spring, ensure The bolt goes through the inner spring cone and threads into the outer spring cone.

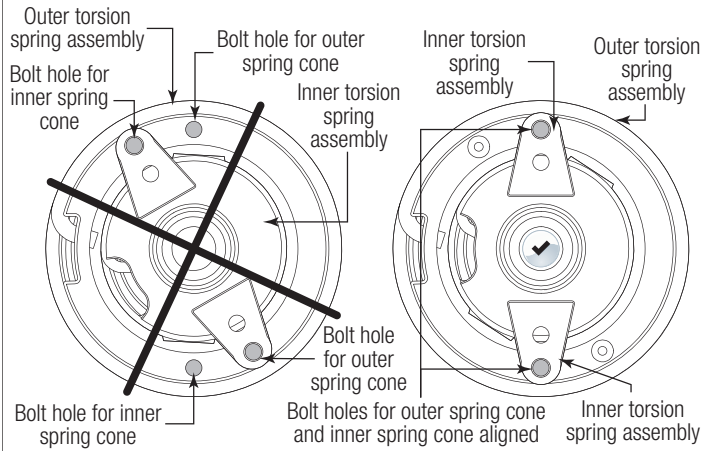


Figure 66

### 6" Duplex Springs Applications

**NOTE:** This type of torsion spring assembly has both an outer spring and an inner spring assembly.

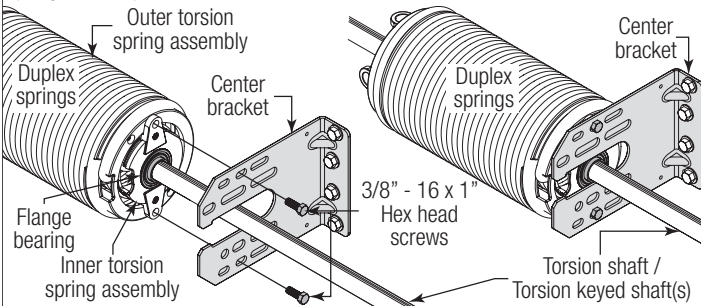


Figure 67

### If Your Door Was Supplied With Extra Shaft Support Brackets And Oval Bearings:

21h. Starting on the left hand side, position the center bracket within 6" of where the spring winding cone will be after turns are applied - add 1 coil of length for each turn. Reference Step Attaching Center Bracket to Wall to install the center bracket.

21i. Slide the oval bearing up against the center bracket.

21j. Secure the oval bearing to the center bracket with two 3/8" - 16 x 3/4" hex head bolts, two 3/8" flat washer and two 3/8" - 16 flanged hex nuts.

21k. Repeat the same process for the right hand side.

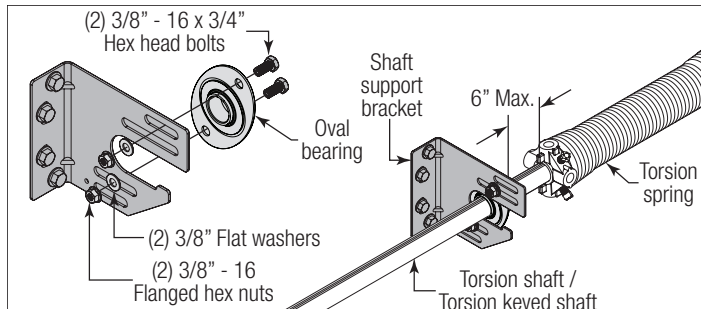


Figure 68

**IMPORTANT:** Verify that there are no obstructions in the travel path of the door sections or counterbalance lift cables.

**NOTE:** Always assemble the left hand cable and cable drum first to help maintain equal cable tension on both sides of the door.

## NOTICE

FAILURE TO REMOVE ALL SLACK OUT OF THE COUNTERBALANCE LIFT CABLES, WILL CAUSE DOOR OPERATIONAL PROBLEMS.

22b. Hook the counterbalance lift cable into the left hand cable drum. Slide the left hand cable drum up against the left hand end bearing bracket / spacer. Counterbalance lift cable should terminate at the 3 o'clock position.

## WARNING

**TO AVOID RISK OF COUNTERBALANCE FAILURE CAUSING DEATH OR SERIOUS INJURY, THE COUNTERBALANCE LIFT CABLE MUST TERMINATE BETWEEN THE 3 O'CLOCK AND 6 O'CLOCK POSITION. IF THE COUNTERBALANCE CABLE DOES NOT TERMINATE IN THE CORRECT POSITION, THE CABLE LENGTH MUST BE CORRECTED BY A TRAINED DOOR SYSTEMS TECHNICIAN BEFORE CONTINUING INSTALLATION.**

**NOTE:** If you have torsion keyed shaft(s), insert (1) key into the slot of both the cable drum and the slot in the torsion keyed shaft, as shown.

22c. At the middle of the two center bearing brackets, loosen the (3) 3/8" - 16 x 1-3/4" hex head screws and the (3) 3/8" - 16 nylon hex lock nuts from the coupler assembly (if applicable).

22d. Rotate the left hand drum and torsion shaft until counterbalance lift cable is taut. Now attach locking pliers to the torsion shaft and brace locking pliers up against jamb to keep counterbalance lift cable taut. Tighten the set screws in the drum to 14-15 ft-lbs (Once set screws contact the shaft, tighten screws an additional 1/2 turn for solid shaft and 1 full turn for tubular shaft). Repeat for right hand side.

22e. At the middle of the two center bearing brackets, tighten the (3) 3/8" - 16 x 1-3/4" hex head screws and the (3) 3/8" - 16 nylon hex lock nuts from the coupler assembly (if applicable).

**IMPORTANT:** Inspect each counterbalance lift cable making sure it is seated properly onto the cable drum and that both counterbalance lift cables have equal tension.

### 22f. Check Counterbalance Lift Cables for Equal Tension:

1. Attach locking pliers to track above top roller.
2. Grasp cable at approximate mid-door height location.
3. Draw cable toward you about 1/2" to 1" and release, noting the response of the cable.
4. Repeat above steps for other cable.
5. Adjust cable tension as needed until right and left cables both respond the same.

22g. Once the counterbalance cables are set and if applicable tighten the coupler assembly together by tightening the (3) 3/8" - 16 nylon hex nuts to secure the coupler halves together.

## 22 ATTACHING COUNTERBALANCE LIFT CABLES

See Figure 69 through Figure 71 for the following steps.

22a. Starting on the left hand side, thread the counterbalance lift cable up and around the front side of the left hand cable drum.

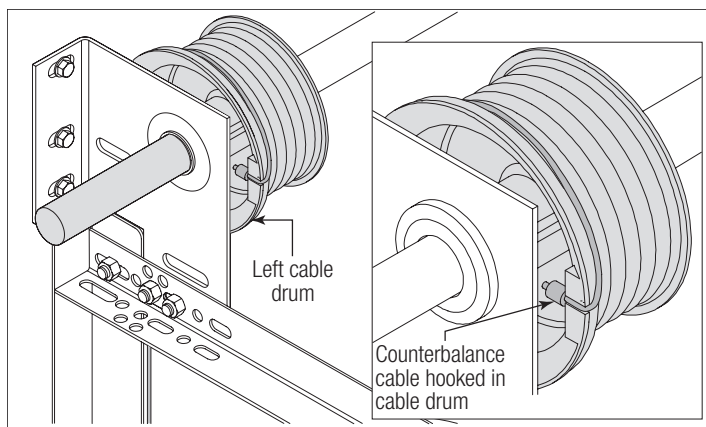


Figure 69, Left Side Shown

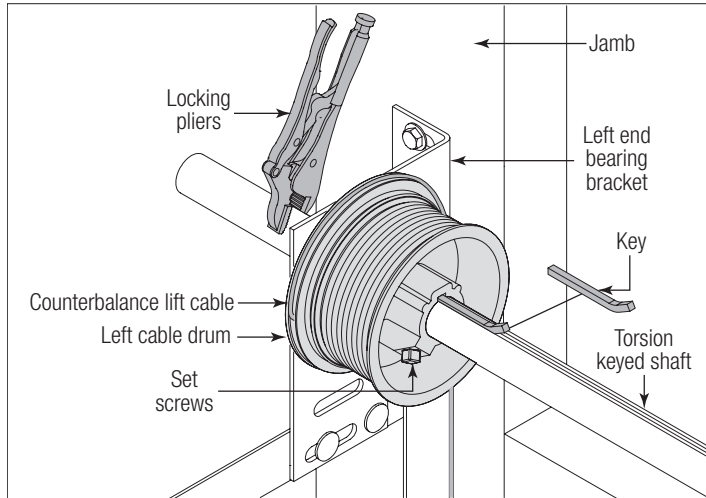


Figure 70, Left Side Shown

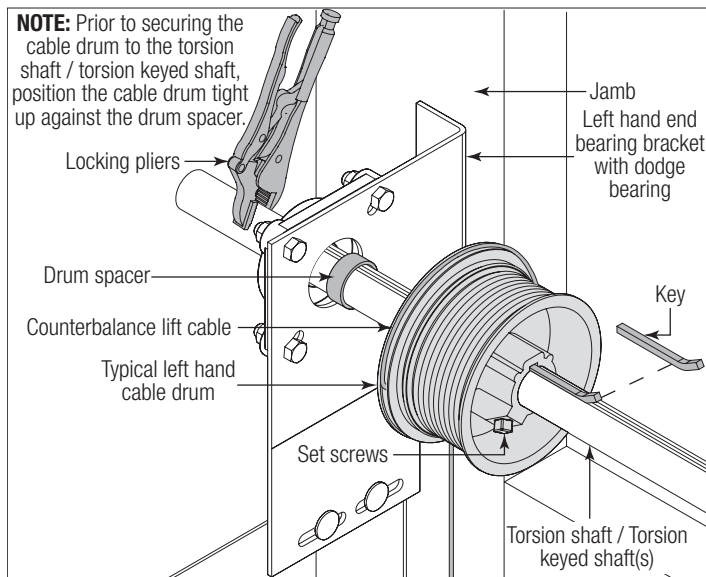


Figure 71, Left Side Shown

23a. Draw a chalk line horizontally along the center of the torsion spring coil(s). As the torsion spring is wound, the chalk line will create a spiral. This spiral can be used to count and determine the number of turns that are applied on the torsion spring.

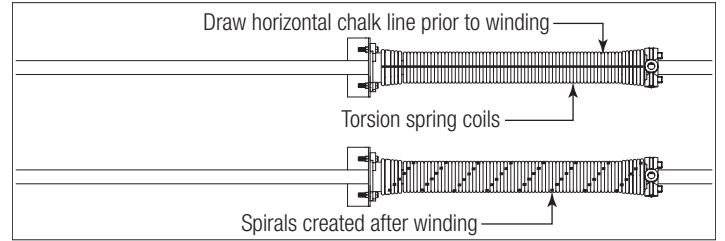


Figure 72

## 24 SECURING DOOR FOR SPRING WINDING

See Figure 73 for the following steps.

24a. With the door in the fully closed position, place locking pliers onto both vertical tracks just above the third track roller. This is to prevent the garage door from rising while winding spring(s).

24b. Check the following before attempting to wind torsion spring(s):

- Counterbalance lift cables are secured at bottom corner brackets, See Figure 10 and Figure 11.
- Counterbalance lift cables are routed unobstructed to cable drums.
- Counterbalance lift cables are correctly installed and wound onto cable lift drums.
- Counterbalance lift cables are taut and have equal tension on both sides.
- Cable lift drums are against end bearing brackets and set screws are tight.
- Torsion spring or springs are installed correctly.
- Review the label attached to the spring warning tag, to determine number of spring turns required.



**FAILURE TO PLACE LOCKING PLIERS ONTO VERTICAL TRACKS CAN ALLOW DOOR TO RAISE DURING SPRING WINDING AND CAUSE SEVERE OR FATAL INJURY.**



**TO AVOID POSSIBLE DAMAGE TO YOUR DOOR, THE DOOR MUST BE CLOSED AND LOCKED WHEN WINDING OR MAKING ANY ADJUSTMENTS TO THE SPRING(S).**

## 23 CHALKING TORSION SPRING(S)

**NOTE:** If your springs have stenciling, then skip this step.

See Figure 72 for the following steps.

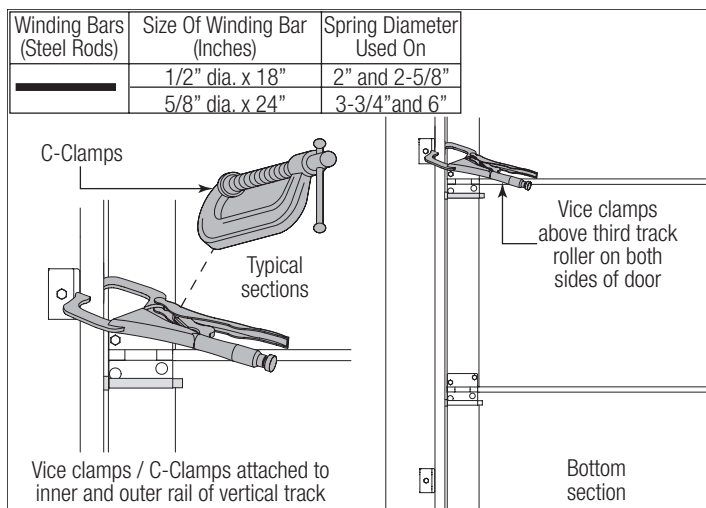


Figure 73

### For Springs Up To 3-3/4" Id:

25c. Securely hold the winding rod while tightening the two set screws in the winding cone to 14-15 ft-lbs of torque (once set screws contact the torsion shaft, tighten screws an additional 1/2 turn for solid shaft and one full turn for tubular shaft).

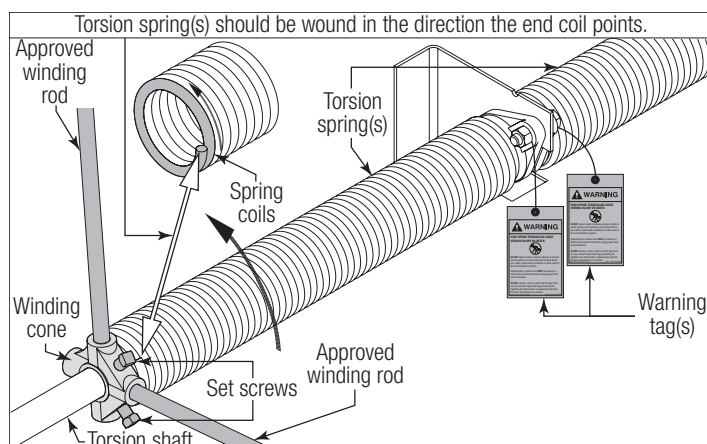


Figure 74

### For 6" And Duplex Springs:

25c. Securely hold the winding rod while tightening the 4 set screws in the winding cone to 25 ft-lbs of torque (once set screws contact the torsion shaft, tighten an additional 1/2 turn).

**IMPORTANT:** If you have torsion keyed shaft(s), one of the set screws will need to be tightened into the keyway of the torsion keyed shaft(s).

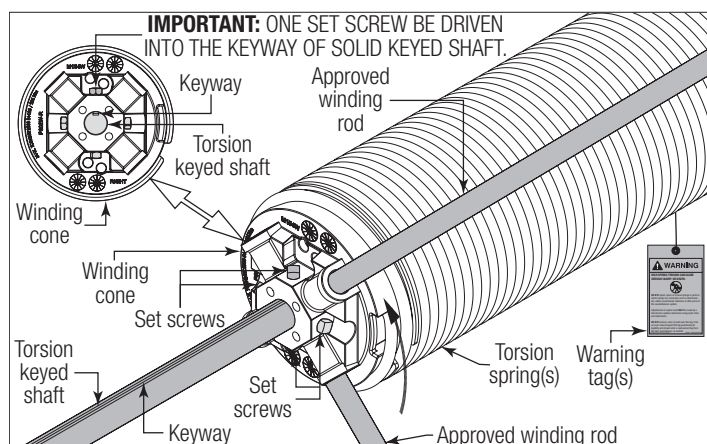


Figure 75

25d. After the torsion spring is secure, use the winding rod to apply pressure in the opposite direction to ensure the set screws are securely fixed to the torsion shaft.

25e. Carefully remove winding rod from winding cone. Repeat for remaining springs, if applicable.

25f. While holding the door down to prevent it from raising unexpectedly in the event the spring(s) were over-wound, carefully remove the locking pliers from the torsion shaft and vertical tracks.

**NOTE:** If you have a coupler assembly, it may be necessary to loosen and retighten the (3) 3/8" - 16 x 1-3/4" hex head screws and the (3) 3/8" - 16 nylon hex lock nuts assembly bolts to equalize the cable tension on both sides of the door.

25g. Adjustments to the number of turns stated may be necessary. If door rises off floor under spring tension alone, reduce spring tension until door rests on the floor. If the door is hard to rise or drifts down on its own, add spring tension.

**NOTE:** An unbalanced door such as this can cause garage door opener operation problems.

## 25 WINDING SPRING(S)

### **⚠ DANGER**

**WINDING SPRING IS AN EXTREMELY DANGEROUS PROCEDURE AND SHOULD BE PERFORMED ONLY BY A TRAINED DOOR SYSTEM TECHNICIAN USING PROPER TOOLS AND INSTRUCTIONS.**

### **⚠ WARNING**

**USE ONLY SPECIFIED WINDING BARS, AS STATED IN STEP SECURING DOOR FOR SPRING WINDING. DO NOT SUBSTITUTE WITH SCREWDRIVERS, PIPE, ETC. OTHER TOOLS MAY FAIL OR RELEASE FROM THE SPRING CONE AND CAUSE SEVERE OR FATAL INJURY.**

### **⚠ DANGER**

**PRIOR TO WINDING THE SPRING, ENSURE YOU'RE WINDING IN THE PROPER DIRECTION AS SHOWN IN FIGURE 74 AND FIGURE 75. OTHERWISE THE SPRING FITTING MAY RELEASE FROM SPRING AND RESULT IN SEVERE OR FATAL INJURY.**

25a. Position a ladder slightly to the side of the spring so that the winding cone is easily accessible, and so your body is not directly in line with the winding bars.

25b. Check the label attached to the spring warning tag for the required number of complete turns to balance your door.

#### How To Wind Torsion Springs:

1. Insert one winding rod snugly into winding cone, to full socket depth
2. Maintaining a tight grip on the winding rod rotate it slowly in the proper direction, as shown below.
3. If there is any slippage of the winding rod in the winding cone socket, reverse the direction of winding and return the cone to its original position. Remove the winding rod from the winding cone socket. Reseat the winding rod in the socket. Start over at Step #1.
4. When the winding rod is vertical above the winding cone, insert another winding rod into one of the other sockets, being careful to seat it snugly and at full socket depth.
5. Hold the spring with the second winding bar, and remove the first.
6. Repeat Steps #2 through #5 until the complete turns have been applied.

**WARNING**

DO NOT OPEN DOOR UNTIL STEP REAR BACK HANGS IS COMPLETED.

**26 ATTACHING REAR BACK HANGS (NOT INCLUDED)**

**WARNING**

IN THE EVENT THE SPRING(S) WERE OVER-WOUND, HOLD THE DOOR DOWN FIRMLY AND CAUTIOUSLY REMOVE LOCKING PLIERS FROM VERTICAL TRACKS TO PREVENT IT FROM RISING UNEXPECTEDLY.

See Figures 76, 77, 78 and 79 for the following steps.

26a. Raise the door until the top section and half of the next section are in the horizontal track radius. Do not raise door any further since rear of horizontal tracks are not yet supported.

**WARNING**

RAISING DOOR INTO THE LOOSE HORIZONTAL TRACKS CAN RESULT IN DOOR FALLING AND CAUSE SEVERE OR FATAL INJURY.

26b. Clamp a pair of locking pliers onto the vertical tracks just above the second track roller on one side, and just below the second track roller on the other side. This will prevent the door from raising or lowering while installing the rear back hangs.

26c. Using the chart below, select the appropriate perforated angle (may not be supplied). Fabricate and install rear back hangs, as shown.

Perforated Angle Gauge Weight Limitations:	
Perforated Angle Gauge	Door Balance Weight
2" x 2" x 12 Gauge	800 lbs. to 1600 lbs.
1-1/4" x 1-1/4" x 13 Gauge	305 lbs. to 610 lbs.
1-1/4" x 1-1/4" x 15 Gauge	220 lbs. to 440 lbs.
1-1/4" x 1-1/4" x 16 Gauge	175 lbs. to 350 lbs.

**NOTE:** If an opener is installed, position horizontal tracks one hole above level when securing it to the rear back hangs.

**WARNING**

MAKE SURE BACK HANGS ARE BRACED SUFFICIENTLY TO RESIST ANY MOTION DURING SPRING APPLICATION AND DOOR TRAVEL. IF BACK HANGS PIVOT OR DEFLECT, ADD REINFORCEMENT UNTIL THEY REMAIN FIRM AND STATIONARY. ANY BACK HANG THAT IS BENT MUST BE REPLACED.

**WARNING**

KEEP HORIZONTAL TRACKS PARALLEL AND WITHIN 3/4" TO 7/8" FROM DOOR EDGE, OTHERWISE DOOR COULD FALL, RESULTING IN SEVERE OR FATAL INJURY.

**NOTE:** Doors heights over 8'0" or door widths over 11'0", require an additional set of rear center back hangs to be installed and located at the middle of the horizontal tracks

26d. Based on your door width and door heights and using perforated angle (may not be supplied), (2) 5/16" x 1-5/8" hex head lag screws and (3) 5/16" bolts with nuts (may not be supplied), fabricate rear center back hangs for the horizontal tracks, for the following:

- The Rear Center Back Hang Assemblies are to be used for all doors over 11'0" door height and over 14'0" door width. One Rear Center Back Hang Assembly, per side.

- The Rear Center Back Hang Assemblies are to be used for all doors over 16'0" door height. Two Rear Center Back Hang Assemblies, per side.

Measure and drill a 3/8" diameter hole through the center length of the horizontal track. Attach the rear center back hangs to the horizontal tracks with (1) 3/8" Truss head bolt and (1) 3/8" nut (may not be supplied).

**NOTICE**

DO NOT SUPPORT THE WEIGHT OF THE DOOR ON ANY PART OF THE REAR BACK HANGS THAT IS 4" (102 MM) OR MORE BEYOND A SOUND FRAMING MEMBER.

**NOTICE**

IF REAR BACK HANGS ARE TO BE INSTALLED OVER DRYWALL, USE TWO 5/16" X 2" HEX-HEAD LAG SCREWS AND MAKE SURE LAG SCREWS ENGAGE INTO SOLID STRUCTURAL LUMBER.

**DANGER**

FAILURE TO ASSEMBLE AND ATTACH REAR BACK HANGS PROPERLY ACCORDING TO THE ABOVE INSTRUCTIONS MAY RESULT IN DOOR FALLING WHEN RAISED, CAUSING DEATH OR SERIOUS INJURY.

**NOTICE**

PERFORATED ANGLE MUST BE ATTACHED TO SOUND FRAMING MEMBERS AND NAILS SHOULD NOT BE USED.

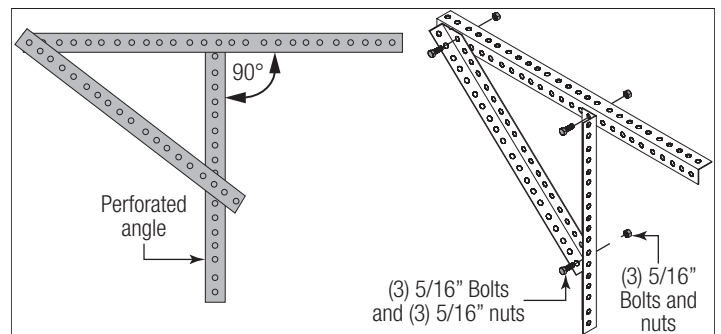


Figure 76

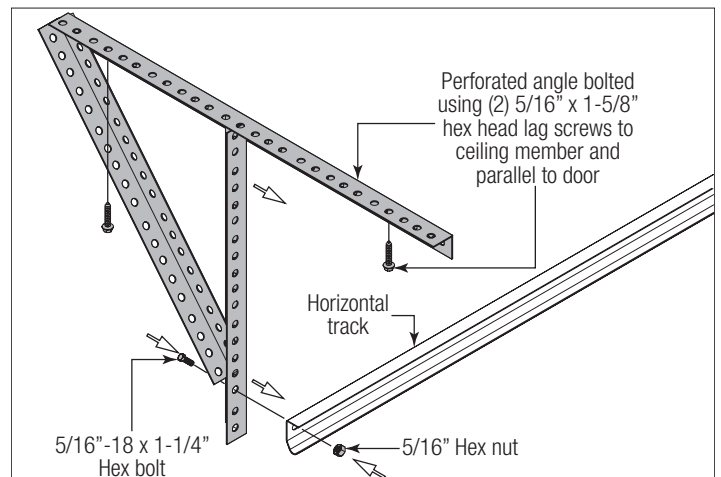
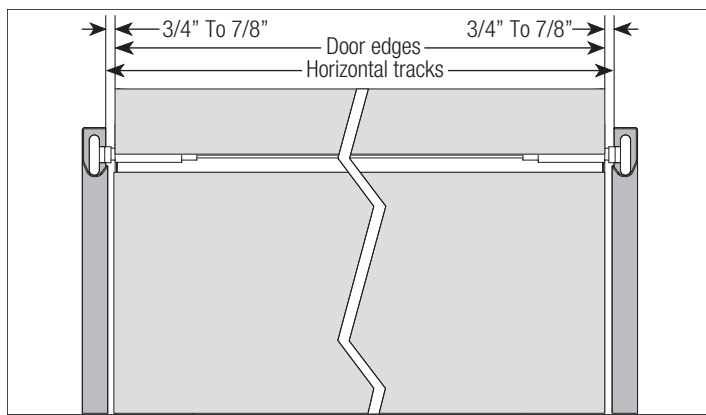
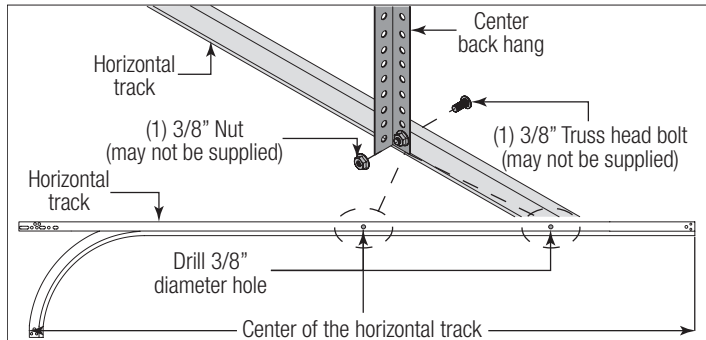


Figure 77





**Figure 78**



**Figure 79**

## 27 CABLE KEEPERS

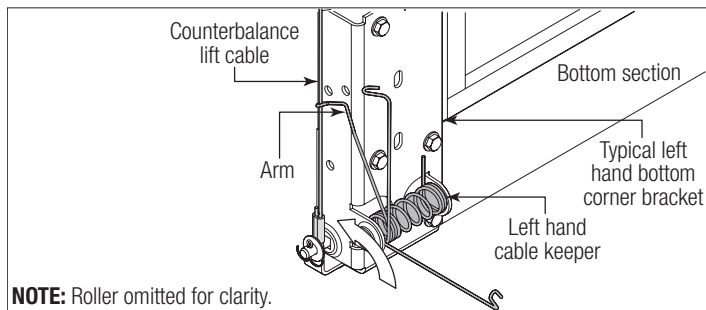
**NOTE:** If you don't have cable keepers, then skip this step. Refer to Step 4 Attaching Cable Keepers, to determine if you have cable keepers installed.

**IMPORTANT:** Cable keepers are intended to help prevent counterbalance lift cables from coming off cable drums on manually operated doors. Additional cable tensioning provisions may be required for motor operated doors.

See Figure 80 for the following steps.

27a. Rotate arm up and hook around counterbalance lift cable, letting the cable keeper arm pull against the counterbalance lift cable, keeping it taut.

27b. Close the hook to prevent the counterbalance lift cables from coming out.



**NOTE:** Roller omitted for clarity.

**Figure 80**

## 28 ATTACHING WEATHERSTRIPS (NOT INCLUDED)

**NOTE:** If you don't have weather seals, then skip this step. Refer to Package Contents / Breakdown of Parts, to determine if you have weather seals.

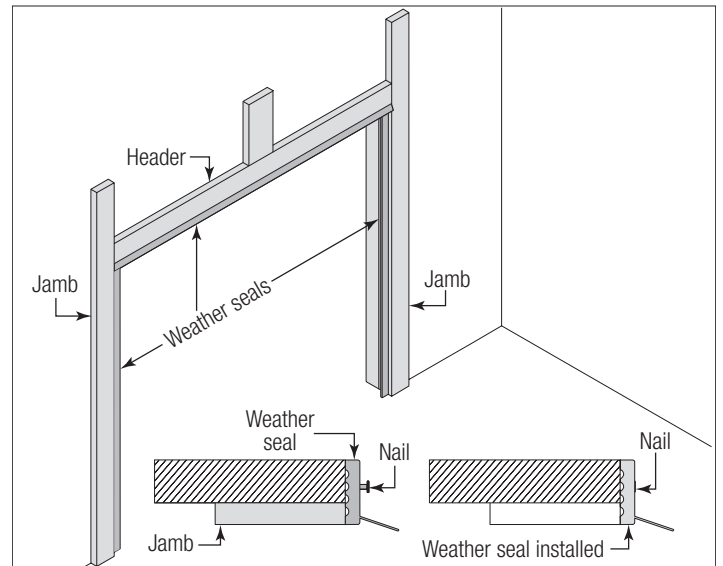
### NOTICE

WHEN PERMANENTLY ATTACHING THE WEATHERSTRIPS TO THE JAMBS, AVOID PUSHING THE WEATHER-STRIPS TOO TIGHTLY AGAINST THE FACE OF DOOR.

See Figure 81 for the following steps.

28a. Permanently attach the weatherstrips on both door jambs and header. The weatherstrips were temporarily attached in Preparing the Opening, in the pre-installation section of this manual.

**NOTE:** For clarity, door isn't shown.



**Figure 81**

## 29 BALANCING DOOR

### CAUTION

WINDOWS MAY CAUSE THE TOP SECTION TO BE SIGNIFICANTLY HEAVIER THAN THE REMAINING SECTIONS. TO PREVENT ANY SUDDEN DOOR ACCELERATION BETWEEN THE TOP AND BOTTOM, MOTOR OPERATE ALL DOORS WITH WINDOWS.

### DANGER

EXTREME CAUTION SHOULD BE USED WHEN MAKING ADJUSTMENTS TO THE SPRINGS AS FAILURE TO FOLLOW THE INSTRUCTIONS OR USE APPROVED WINDING BARS CAN LEAD TO DEATH OR SERIOUS INJURY TO PERSONS OR PROPERTY. BEFORE ATTEMPTING TO MAKE ADJUSTMENTS TO THE SPRING, MAKE SURE YOU HAVE READ AND UNDERSTAND THE INSTRUCTIONS. IF YOU ARE UNCLEAR ON ANY ASPECT OF THE INSTALLATION PROCEDURES, YOU SHOULD CONSULT A TRAINED DOOR SYSTEMS TECHNICIAN.

See Figure 82 and Figure 83 for the following steps.

29a. Remove locking pliers. Lift door and check its balance. Adjustments to the required number of spring turns stated may be necessary. If door rises off floor more than 2 ft. under spring tension alone, reduce spring tension. If the door is hard to rise or drifts down on its own, add spring tension. A poorly balanced door can cause garage door operator problems.

29b. To adjust spring tension, fully close door. Apply locking pliers to track above third track roller. Place locking pliers on torsion shaft, as shown in Step Attaching Counterbalance Lift Cables. Insert a winding rod into the winding cone. Push upward on the winding rod slightly while carefully loosening the set screws in the winding cone.

### WARNING

**BE PREPARED TO SUPPORT THE FULL FORCE OF THE TORSION SPRING ONCE THE SET SCREWS ARE LOOSE. IF NOT PREPARED, THEN THE WINDING BAR CAN MOVE SUDDENLY AND COME OUT OF THE WINDING CONE AND CAUSE SEVERE OR FATAL INJURY.**

Carefully adjust spring tension 1/4 turn. Retighten both set screws to 14-15 ft. lbs. of torque in the winding cone and repeat for the other side. Recheck door balance and re-adjust spring tension if needed.

**IMPORTANT:** Do not adjust more than 1 turn from the recommended number of turns.

If the door still does not operate easily, lower the door into the closed position, unwind spring(s) completely, and recheck the following items:

29c. Is the door level?

29d. Are the torsion shaft and flag angles / angle mount level and plumb?

29e. Does the distance between the flag angles / angle mount equal door width plus 3-3/8" to 3-1/2"?

29f. Do the counterbalance lift cables have equal tension? Adjust if necessary.

29g. Rewind the spring(s).

29h. Make sure door is not rubbing on jambs.

**IMPORTANT:** If door still does not balance properly, then contact a trained door system technician.

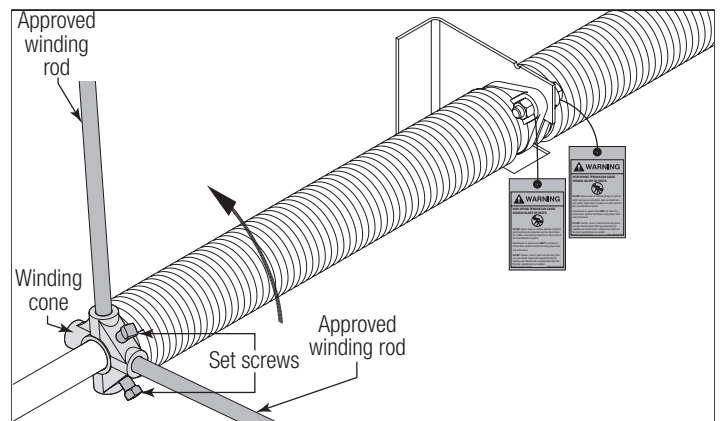


Figure 82

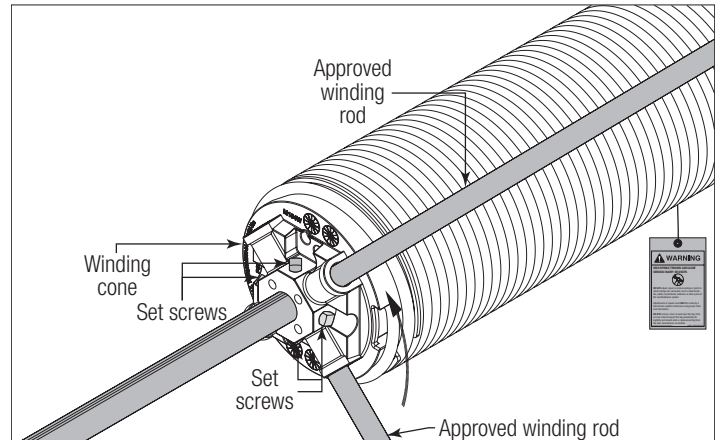


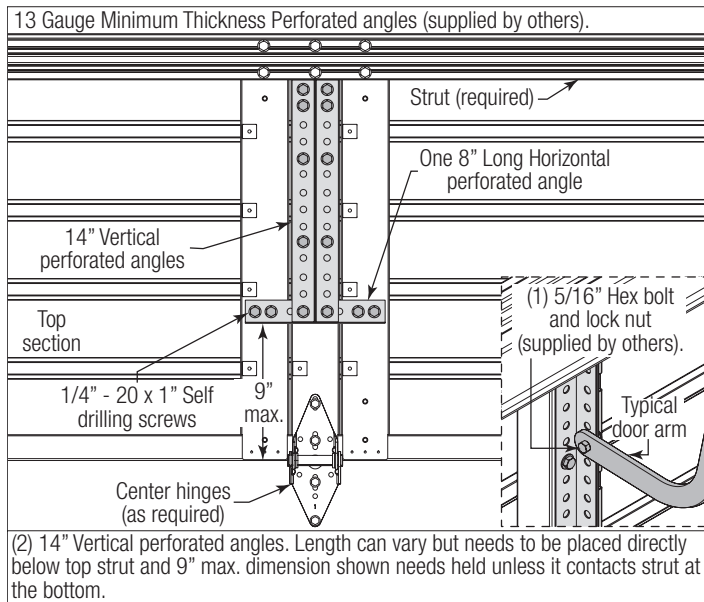
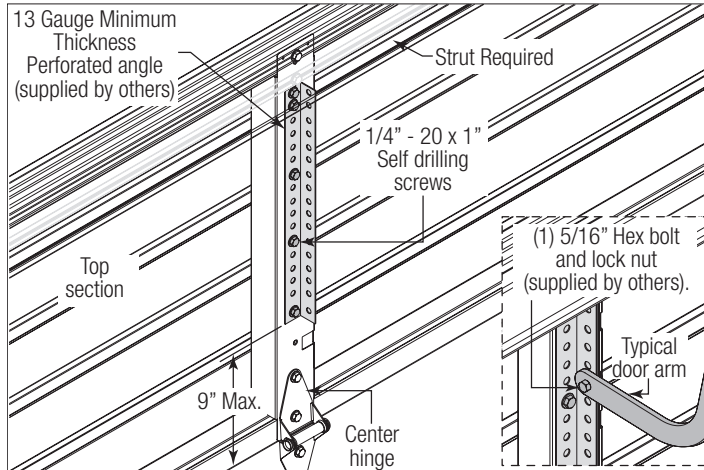
Figure 83

# OPTIONAL INSTALLATION

## Trolley Arm Hookup

**NOTE:** If Wayne Dalton operator / trolley bracket was installed, follow these directions.

Align hole in the door arm with holes in perforated angles, as shown. Attach with (1) 5/16" hex bolt and lock nut (supplied by others).



## Keyed Lock

### CAUTION

**DO NOT DRILL LOCK SECTION OR INSTALL LOCK ON DOORS WITH OPENERS. THE DOOR AND OR OPENER MAY BE DAMAGED IF THE OPENER IS USED WHILE THE DOOR IS LOCKED.**

**NOTE:** Common practice for doors with the odd number of raised panels is to mount the lock towards the right side of the section when looking out.

**IMPORTANT:** Remove All Burrs From The Drilled Holes Before Installing The Lock To The Section.

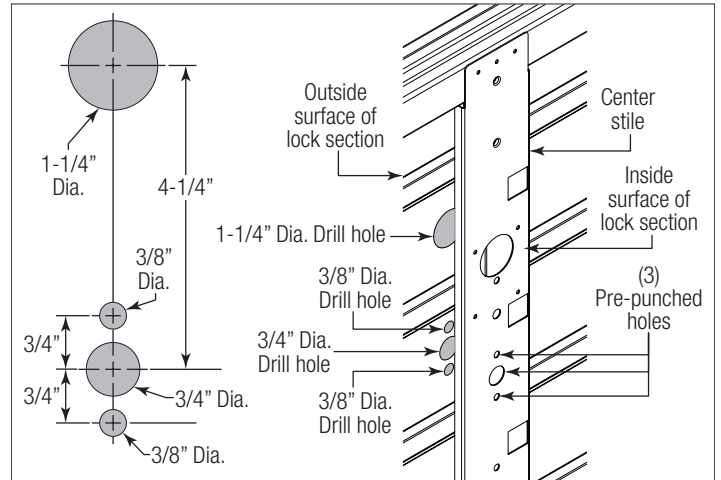
From the inside of the lock section, locate the (4) hole pattern in the center stile of the lock section. Using the (4) holes as a template, drill (4) 1/8" diameter holes

through the section. Using the illustration below and from the outside of the lock section, enlarge the (4) pre-drilled holes to their appropriate hole diameter.

**NOTE:** Pay close attention not to drill through or enlarge holes in the center stile.

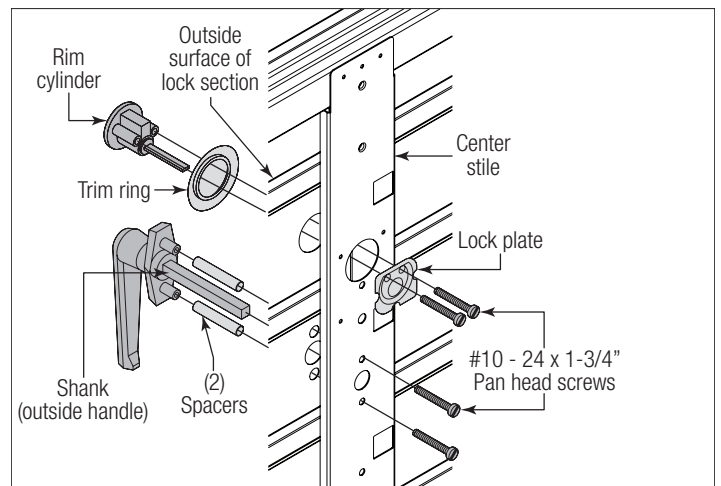
### CAUTION

**DO NOT DRILL THROUGH OR ENLARGE HOLES ON THE INSIDE OF THE DOOR SECTION.**



From the outside of the lock section insert the (2) spacers and the outside lock handle through the section. From the inside of the lock section secure the handle using (2) #10 - 24 x 1-3/4" pan head screws.

Assemble the rim cylinder and the trim ring together. From the outside of the lock section insert the rim cylinder through the section. From the inside of the lock section secure the rim cylinder using (2) #10 - 24 x 1-3/4" pan head screws.



From inside the section, slip the lock disk onto the square shank of the outside handle. Secure with the inside lock handle and tinnerman lock nut.

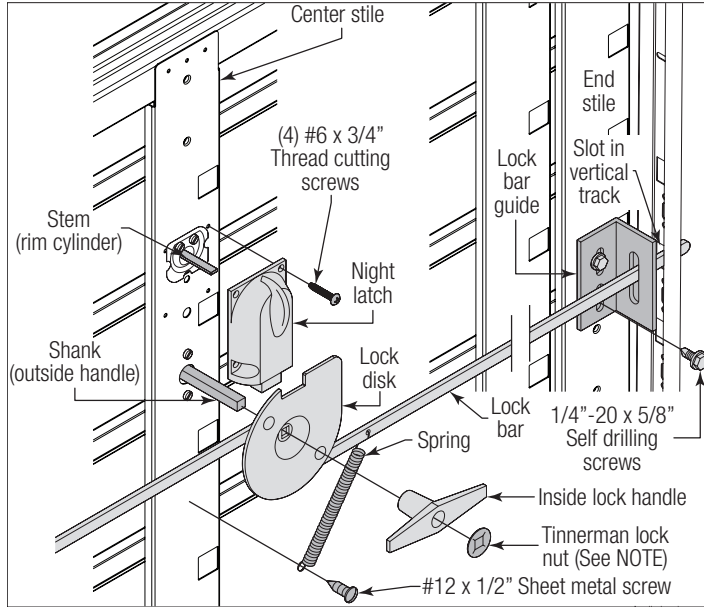
**NOTE:** Insert a 7/16" ID X 2" long pipe over the shank of the outside handle and pound on the tinnerman nut to secure parts.

Insert the night latch onto the stem of the rim cylinder and secure with (4) #8 x 3/4" sheet metal screws.

Position guide on end stile 3/4" away from edge of section and align with the slot in vertical track. Using the guide as a template, pilot drill 1/8" diameter holes into the end stile and secure guide to end stile using (2) 1/4" - 20 x 5/8" self drilling screws. If necessary, repeat the guide mounting process for other end or center stiles. Attach the spring to the lock bar and secure to the center stile using a #12 x 1/2" sheet metal screw.

Operate the lock several times to make sure the lock bars move in and out of the

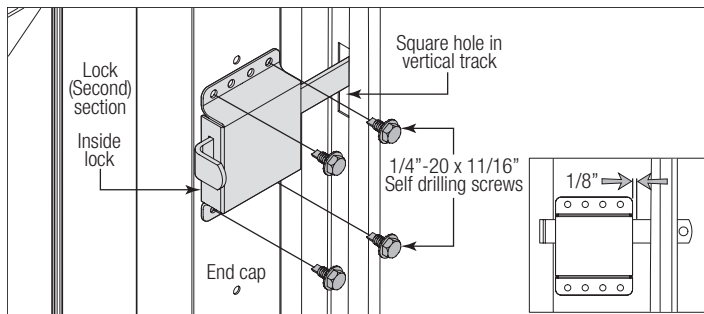
vertical track smoothly. Adjust the lock bar guides up or down, if necessary.



## Inside Lock

Install the inside lock on the second section of the door. Secure the lock to the section with (4) 1/4" - 20 x 11/16" self drilling screws. Square the lock assembly with the door section, and align with the square hole in the vertical track. The inside lock should be spaced approximately 1/8" away from the section edge.

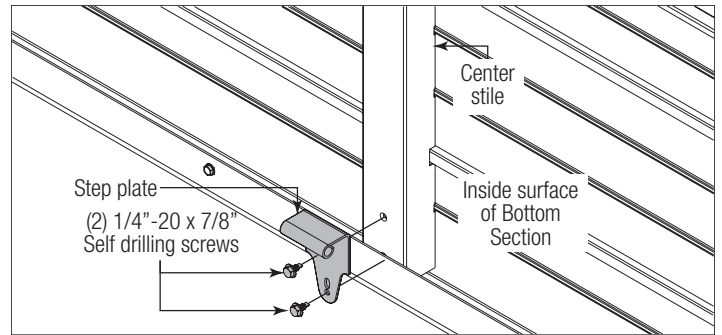
**IMPORTANT:** Inside lock(s) must be removed or made inoperative in the unlocked position if an operator is installed on this door.



## Step Plate

**NOTE:** If you don't have this type of step plate, then skip this step.

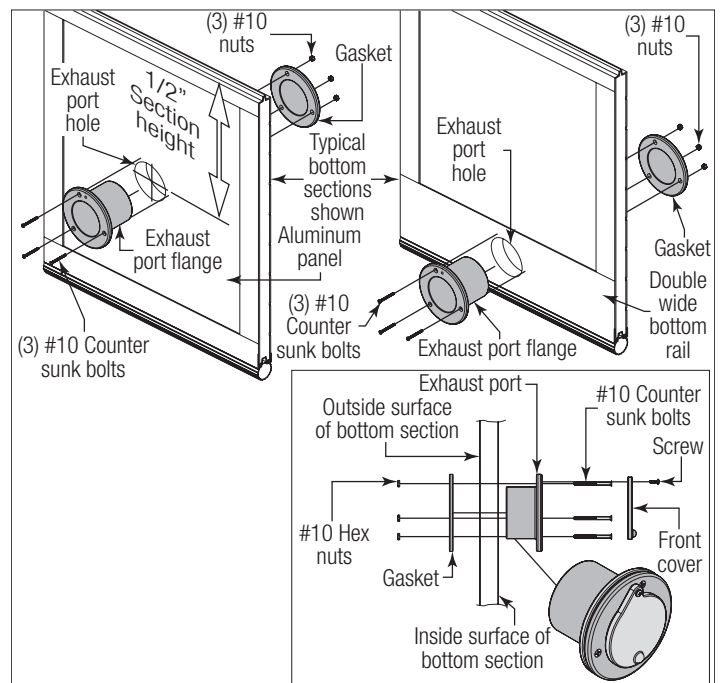
Position your step plate on the inside surface of the bottom section over the center stile. Secure the step plate to center stile using (2) 1/4" - 20 x 7/8" self-drilling screws, as shown.



## Exhaust Port

Using the illustrations below, locate and install the exhaust port assembly to the bottom section, using (3) #10 x 1-3/4" counter sunk bolts and (3) #10 nuts, as shown.

**NOTE:** The exhaust port goes on the inside of the bottom section and can be installed into the aluminum panel or on a double wide bottom rail.



## Chain Hoist

### Chain Hoist Installation (Standard Lift Applications only!)

**NOTE:** Reference separate instructions for Chain Hoists and Jack Shaft Operators installation instruction.

Chain Hoists and Jack Shaft Operators are limited to:

- 1.) Standard Lift Doors with roof pitch track 2:12 or greater.
- 2.) High Lift track greater than or equal to 24".
- 3.) High Lift track 12" thru 24" with roof pitch track 1:12.

**IMPORTANT:** If chain hoist operated with auxiliary trolley operated, it is recommended that an optional strut be installed on the top section.



## WARNING

WAYNE DALTON RECOMMENDS THE USE OF A TROLLEY RAIL(S) AND AUXILIARY SHAFT FOR STANDARD OR HIGH LIFT DOORS BELOW THESE LIMITS. CABLE KEEPERS ARE RECOMMENDED FOR ALL CHAIN HOIST OR JACKSHAFTS OPERATORS. INSTALL THE CHAIN HOIST OR SPROCKET AS CLOSE TO THE END BEARING BRACKET AS POSSIBLE, TO MINIMIZE TORSION SHAFT DEFLECTION. CHAIN TENSIONERS ARE RECOMMENDED FOR DOORS OVER 144 SQ. FT. WITH JACKSHAFT OPERATORS.

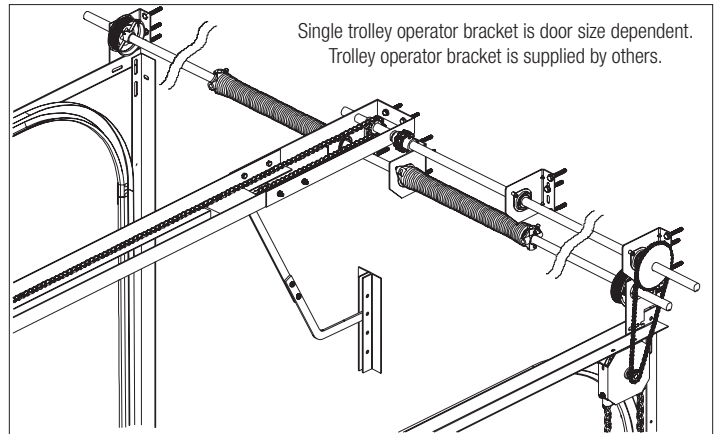
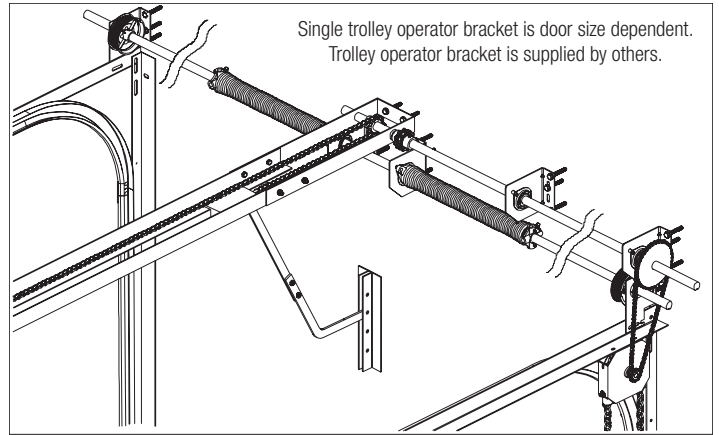
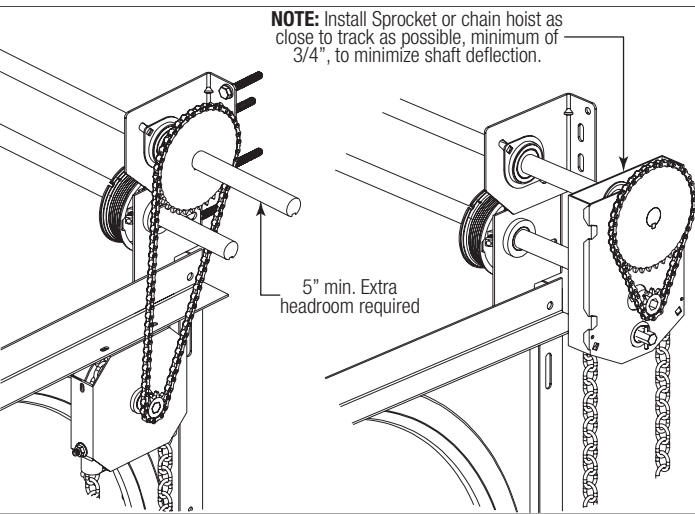
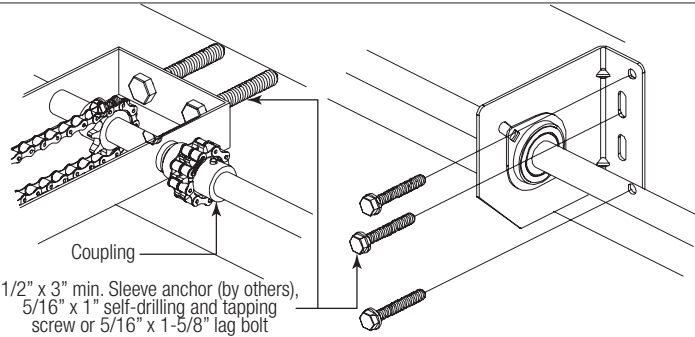
## WARNING

WAYNE DALTON RECOMMENDS THE USE OF A TROLLEY RAIL(S) COUPLED TO AN AUXILIARY SHAFT THAT IS POWERED BY A SIDE MOUNT TYPE CHAIN HOIST.

**NOTE:** 9" of extra headroom are required for these installations.

Assemble the trolley rail as per the manufactures installation instructions.

**NOTE:** Back hang the trolley using angles, center hang supports are required for doors over 14' wide and 12' high.

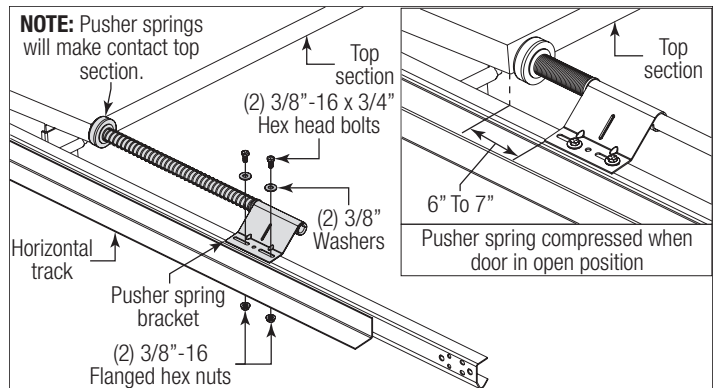


## Pusher Springs

**IMPORTANT:** Right and left hand is always determined from inside the building looking out.

Raise the door to the open position. Mark the locations of the top section on the top portion of the horizontal tracks. Close the door. Starting on the left hand side, clamp pusher spring mounting bracket to the top portion of the horizontal track 6" to 7" away from the top section mark. Mark the two hole locations onto the horizontal track for the pusher spring mounting bolts. Remove pusher spring and drill 3/8" diameter holes through the top portion of the horizontal track. Assemble pusher spring to the track using (2) 3/8" - 16 x 3/4" hex head bolts, 3/8" washers and 3/8" - 16 flanged hex nuts. Repeat same process for the right hand side. Open door cautiously to test pusher spring installation location.

**NOTE:** The (2) 3/8" - 16 x 3/4" hex head bolts may extend into the horizontal track.



# MAINTENANCE

## Cleaning Your Garage Door

Like any other exterior surface, Wayne Dalton garage doors will have dirt exposure from atmospheric conditions. Ordinarily, the cleaning action of rainfall will be adequate to wash the door, or the door can be washed periodically by hosing with a garden hose and clear water (in particular) for the areas not accessible to rain. If you desire to do a more thorough cleaning, or where soil collection conditions occur, follow these simple instructions.

1. To clean acrylic glazings wash with plenty of nonabrasive soap or detergent and water. Use the bare hand to feel and dislodge any caked dirt or mud. A soft, grit-free cloth, sponge or chamois may be used to wipe the surface. Do not use hard or rough cloth that will scratch the acrylic glazing. Dry with a clean damp chamois.
2. Grease and oil may be removed with kerosene or a good grade of naphtha (No aromatic content.). Users of these solvents should become familiar with their proper ties to handle them safely.

Mild solutions of detergents or household ammonia will aid in the removal of most dirt, and the following are recommended levels:

One cup of Tide™, or other common detergents, which contain less than 0.5% phosphate, dissolved into five gallons of warm water.

**NOTE:** The use of detergents containing greater than 0.5% phosphate is not recommended for use in general cleaning of garage doors. NEVER BLEND CLEANSERS OR DETERGENTS WITH BLEACH.

3. **Do not use:** Window cleaning fluids, scouring compounds, gritty cloths, leaded or ethyl gasoline, or solvents such as alcohol, acetone, carbon tetrachloride, etc.

This cleaning and maintenance information is suggested in an effort to be of assistance; however, manufacturer cannot assume responsibility for results obtained which are dependent on the cleaning solution and method of application.

## Finish And Finishing Maintenance Instructions

As with any pre-finished steel product (such as your car) general maintenance to prolong the life of the finish is recommended. On a yearly basis these procedures are to be followed for cleaning the surface of the door.

Dirt, chalk and mildew can be removed by using a mild detergent OR a diluted solution of common bleach at a concentration of one (1) cup in five (5) gallons of warm water. Rinse with clear water after washing and allow drying completely.

### NOTICE

NEVER MIX CLEANSERS OR DETERGENTS WITH BLEACH.

For added protection of a pre-painted door, the application of wax suitable for automotive use is recommended at annual intervals.

## Surface Preparation For Painting

Dirt, chalk and mildew can be removed by using a mild detergent **OR** a diluted solution of common bleach at a concentration of one (1) cup in five (5) gallons of warm water. Rinse with clear water after washing and allow drying completely.

### NOTICE

NEVER MIX CLEANSERS OR DETERGENTS WITH BLEACH.

Wax on the surface must be removed or paint peeling/flaking will result. Remove wax by wiping surface with a clean rag saturated with Xylene (Xylo). OBSERVE CAUTIONS ON SOLVENT CONTAINER.

Surface scratches which have not exposed the metal substrate can be lightly buffed or sanded with 0000 steel wool or No. 400 sand paper to create a smoother surface.

Care must be taken to not expose the substrate under the paint (see Note No. 2). Once this exposed condition exists, the likelihood for rusting is greatly increased.

See the following paragraph if the metal substrate is observed.

Exposed substrate must be treated to prevent rust from forming (see Note No. 2). Sand the exposed area lightly and paint with high quality metal primer to protect from corrosion. Follow drying time on primer can label before applying topcoat.

The surface to be re-coated must not be too smooth or the repaint material will not adhere to it (See Note No. 2). It is advisable to test a representative area to evaluate adhesion. If poor adhesion is observed, the surface must be abraded by sanding or buffing using grades mentioned above. Care must be taken to not expose the substrate under the paint.

## Painting Your Garage Door

After the surface has been properly prepared it must be allowed to dry thoroughly, then coated immediately with a premium quality latex house paint. Follow the paint label directions explicitly. Oil base paint is not recommended. Please note that if substrate is exposed, painting with latex paint may cause accelerated rusting of steel.

### Notes:

1. Re-painting of finish painted steel doors cannot be warranted as this condition is totally beyond door manufacturer's control.
2. If the steel door surface has a finish painted textured surface representing wood grain, stucco, etc., this step should not be attempted as danger of exposing substrate is greatly increased.
3. Consult a professional coatings contractor if in doubt about any of the above directions.
4. Follow directions explicitly on the paint and solvent container labels for proper applications of coatings and disposal of containers. Pay particular attention to those directions involving acceptable conditions in which to paint.

### Acrylic Glazing Cleaning Instructions:

1. To clean acrylic glazing, wash with plenty of nonabrasive soap or detergent and water. Use the bare hand to feel and dislodge any caked dirt or mud. A soft, grit-free cloth, sponge or chamois may be used to wipe the surface. Do not use hard or rough cloth that will scratch the acrylic glazing. Dry with a clean damp chamois.
2. Grease and oil may be removed with kerosene or a good grade of naphtha (No aromatic content.). Users of these solvents should become familiar with their properties to handle them safely.
3. **Do not use:** Window cleaning fluids, scouring compounds, gritty cloths, leaded or ethyl, gasoline, or solvents such as alcohol, acetone, carbon tetrachloride, etc.

## Operation And Maintenance

### Operating Your Garage Door:

Before you begin, read all warning labels affixed to the door and the installation instructions and owner's manual. When correctly installed, your Wayne Dalton door will operate smoothly. Always operate your door with controlled movements. Do not slam your door or throw your door into the open position, this may cause damage to the door or its components. If your door has an electric opener, refer to the owner's manual to disconnect the opener before performing manual door operation below.

### Manual Door Operation:

For additional information on manual garage door operation go to [www.dasma.com](http://www.dasma.com) and reference TDS 165.



**DO NOT PLACE FINGERS OR HANDS INTO SECTION JOINTS WHEN OPENING AND/OR CLOSING A DOOR. ALWAYS USE LIFT HANDLES/SUITABLE GRIPPING POINTS WHEN OPERATING THE DOOR MANUALLY.**

**OPENING A DOOR:** Make sure the lock (if present) are in the unlocked position. Lift the door by using the lift handles/suitable gripping points only. Door should open with little resistance.

**CLOSING A DOOR:** From inside the garage, pull door downward using lift handles/gripping points only. If you are unable to reach the lift handles/suitable gripping points only, use pull-down rope (if present) affixed to the side of door. Door should close completely with little resistance.

### Using An Electric Operator:

**IMPORTANT:** If present, Pull-down rope must be removed and locks must be removed or made inoperative in the unlocked position.

When connecting a drawbar (trolley-type) garage door operator to this door, a drawbar operator bracket must be securely attached to the top section of the door, along with any struts provided with the door. Always use the drawbar operator bracket supplied with the door. To avoid possible damage to your door, reinforce the top section with a strut (may or may not be supplied). The installation of the drawbar operator must be according to manufacturer's instructions and force settings must be adjusted properly. Refer to the owner's manual supplied with your drawbar operator for complete details on installation, operation, maintenance and testing of the operator.

### Maintaining Your Garage Door:

Before you begin, read all warning labels affixed to the door and the installation instructions and owner's manual. Perform routine maintenance steps once a month, and have the door professionally inspected once a year. Review your Installation Instructions and Owner's Manual for the garage door. These instructions are available at no charge from Wayne Dalton, a division of Overhead Door Corporation, P.O. Box 67, Mt. Hope, OH, 44660, or at [www.Wayne-Dalton.com](http://www.Wayne-Dalton.com). For additional information on garage door/operator maintenance go to [www.dasma.com](http://www.dasma.com) and reference TDS 151, 167 and 179.

### Monthly Inspections:

#### 1. Visual Inspection:

Closely inspect jambs, header and mounting surface. Any material found not to be structurally sound must be replaced. It may be necessary to uninstall part or all of the door assembly in order to replace defective material. Inspect the spring(s), counterbalance lift cables, track rollers, pulleys, rear back hangs and other door hardware for signs of worn or broken parts. Tighten any loose screws and/or bolts, except on bottom corner brackets or on the counterbalance assembly. Check exterior surface of the door sections for any minor cracks. Verify door has not shifted right or left in the opening. If you suspect problems, contact a trained door system technician.



**GARAGE DOOR SPRINGS, COUNTERBALANCE LIFT CABLES, BRACKETS, AND OTHER HARDWARE ATTACHED TO THE SPRINGS ARE UNDER EXTREME TENSION, AND IF HANDLED IMPROPERLY, CAN CAUSE DEATH OR SERIOUS INJURY. ONLY A TRAINED DOOR SYSTEMS TECHNICIAN SHOULD ADJUST THEM, BY CAREFULLY FOLLOWING THE MANUFACTURER'S INSTRUCTIONS.**



**NEVER REMOVE, ADJUST, OR LOOSEN THE BOLTS, SCREWS AND/OR LAG SCREWS ON THE COUNTERBALANCE (END BEARING BRACKETS, DRUMS OR SPRING SYSTEM) OR BOTTOM CORNER BRACKETS OF THE DOOR. THESE BRACKETS ARE CONNECTED TO THE SPRING(S) AND ARE UNDER EXTREME TENSION. TO AVOID POSSIBLE DEATH OR SERIOUS INJURY, HAVE ANY SUCH WORK PERFORMED BY A TRAINED DOOR SYSTEMS TECHNICIAN USING PROPER TOOLS AND INSTRUCTIONS.**

#### Torsion Springs:

The torsion springs (located above the door) should only be adjusted by a trained door systems technician. **DO NOT** attempt to repair or adjust torsion springs yourself.

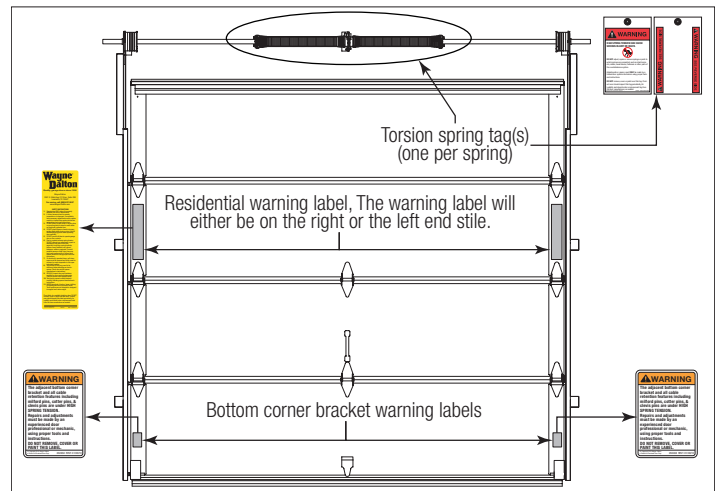
#### 2. Door Balance:

Periodically test the balance of your door. If you have a garage door drawbar operator, use the release mechanism so you can operate the door by hand when doing this test. Start with the door in the fully closed position. Using handles or suitable gripping points, lift the door to check its balance. If door lifts by itself (hard to pull down) or if door is difficult to lift (easy to pull down), have it adjusted by a trained door systems technician. **DO NOT** attempt to repair or adjust Torsion Springs yourself.

#### 3. Lubrication:

The door should open and close smoothly. Ensure the door track rollers are rotating freely when opening and closing the door. If track rollers do not rotate freely, clean the door tracks, removing dirt and any foreign substances. Clean and lubricate (use a non-silicon based lubricant) graduated end hinges, center hinges, steel track rollers, bearings and torsion springs (torsion spring coil surfaces). **DO NOT** lubricate plastic idler bearings, nylon track rollers, or the door track. **DO NOT** oil a cylinder lock. If actuation is difficult, use a graphite dust to lubricate.

#### Check for Presence of Safety Labels:







## Commercial Sectional Models CX-20, CX-24, and CX-2400

### Limited Warranty

Wayne Dalton, a division of Overhead Door Corporation ("Seller") warrants to the original purchaser of the Model CX-20, CX-24, or CX-2400 Commercial Sectional Door (insulated or noninsulated) ("Product"), subject to all of the terms and conditions hereof, that the Product and all components thereof will be free from defects in materials and workmanship for the following period(s) of time, measured from the date of installation:

- **ONE (1) YEAR** against defects in materials and workmanship

Seller's obligation under this warranty is specifically limited to repairing or replacing, at its option, any part which is determined by Seller to be defective during the applicable warranty period. Any labor charges are excluded and will be the responsibility of the purchaser.

This warranty is made to the original purchaser of the Product only, and is not transferable or assignable. This warranty does not apply to any unauthorized alteration or repair of the Product, or to any Product or component which has been damaged or deteriorated due to misuse, neglect, accident, failure to provide necessary maintenance, normal wear and tear, acts of God, or any other cause beyond the reasonable control of Seller, or as a result of having been exposed to toxic or abrasive environments, including blowing sand, salt water, salt spray and toxic chemicals and fumes.

THIS WARRANTY IS EXCLUSIVE AND IN LIEU OF ANY OTHER WARRANTIES, EITHER EXPRESS OR IMPLIED, INCLUDING BUT NOT LIMITED TO ANY IMPLIED WARRANTY OF MERCHANTABILITY OR FITNESS FOR A PARTICULAR PURPOSE.

IN NO EVENT SHALL SELLER BE RESPONSIBLE FOR, OR LIABLE TO ANYONE FOR, SPECIAL, INDIRECT, COLLATERAL, PUNITIVE, INCIDENTAL OR CONSEQUENTIAL DAMAGES, even if Seller has been advised of the possibility of such damages. Such excluded damages include, but are not limited to, loss of use, cost of any substitute product, or other similar indirect financial loss.

Claims under this warranty must be made promptly after discovery, within the applicable warranty period, and in writing to the authorized dealer or installer whose name and address appear below. The purchaser must allow Seller a reasonable opportunity to inspect any Product claimed to be defective prior to removal or any alteration of its condition. Proof of the purchase and/or installation date, and identification as the original purchaser, may be required.

SELLER: \_\_\_\_\_

SELLER'S ADDRESS: \_\_\_\_\_

\_\_\_\_\_





---

Thank you for your purchase.

---

If you need assistance, please call 1-866-569-3799 (press Option 1) and follow the prompts to contact a customer service representative. They will be happy to handle any questions that you may have.

---

After installation is complete, leave this Installation Instructions And Owner's Manual with the homeowner, or fasten it near garage door for easy reference.

Product may be covered by one or more patents.  
See [www.wayne-dalton.com/patents](http://www.wayne-dalton.com/patents) for details.