

INSTALLATION INSTRUCTIONS AND OWNER'S MANUAL

Model ThermoMark™ 530

**COMMERCIAL
STANDARD LIFT**

TORSION

If you need assistance, please call 1-866-569-3799 (press Option 1) and follow the prompts to contact a customer service representative. They will be happy to handle any questions that you may have.

IMPORTANT NOTICES!

To avoid possible injury, read and fully understand the enclosed instructions carefully before installing and operating the garage door. Pay close attention to all warnings and notes. After installation is complete, fasten this manual near garage door for easy reference.

This Installation document is available at no charge from:

- Your local Wayne Dalton Sales Center, or
- Online at **www.Wayne-Dalton.com**, or
- By mailing to: Wayne Dalton, a division of Overhead Door Corporation, P.O. Box 67, Mt. Hope, OH., 44660

Table Of Contents

PRE-INSTALLATION	3
Important Safety Instructions	3
REMOVING AN EXISTING DOOR AND PREPARING THE OPENING	5
Package Contents	7
Door Section Identification	9
Tools Required	9
BREAKDOWN OF DOOR COMPONENTS	10
BREAKDOWN OF COUNTERBALANCE COMPONENTS	11
INSTALLATION INSTRUCTIONS	12
Door Installation Instructions	12
COUNTERBALANCE INSTALLATION INSTRUCTIONS	22
OPTIONAL INSTALLATION	34
Door Arm Hookup	34
Inside Lock	34
Step Plate	34
Exhaust Port	34
Chain Hoist	34
Pusher Springs	35
MAINTENANCE	36
Painting Your Garage Door	36
Operation And Maintenance	36
WARRANTY	38

Important Safety Instructions

DEFINITION OF KEY WORDS USED IN THIS MANUAL:

DANGER

INDICATES A HAZARDOUS SITUATION THAT, IF NOT AVOIDED, WILL RESULT IN DEATH OR SERIOUS INJURY.

WARNING

INDICATES A HAZARDOUS SITUATION THAT, IF NOT AVOIDED, COULD RESULT IN DEATH OR SERIOUS INJURY.

CAUTION

INDICATES A HAZARDOUS SITUATION THAT, IF NOT AVOIDED, COULD RESULT IN MINOR OR MODERATE INJURY.

NOTICE

INDICATES INFORMATION CONSIDERED IMPORTANT, THAT IT IS NOT RELATED TO INJURY, BUT MAY RESULT IN PROPERTY DAMAGE.

IMPORTANT: Required key step for proper door operation.

NOTE: Information only.

Installation:

WARNING

INSTALLING THIS DOOR PROPERLY REQUIRES THE USE OF SPECIAL TOOLS AND TECHNIQUES. ALWAYS USE THE CORRECT TOOLS OR TECHNIQUES WHEN PERFORMING INSTALLATION. FAILURE TO USE PROPER TOOLS OR TECHNIQUES OR ADHERE TO SAFETY MESSAGES, COULD RESULT IN SEVERE OR FATAL INJURY.

DANGER

EXTREME CAUTION SHOULD BE USED WHEN WINDING SPRINGS AS FAILURE TO FOLLOW THE INSTRUCTIONS OR USE THE PROPER TOOLS CAN LEAD TO SERIOUS INJURY TO PERSONS AND PROPERTY. BEFORE ATTEMPTING TO WIND THE SPRING, MAKE SURE YOU HAVE READ AND UNDERSTAND THE INSTRUCTIONS. IF YOU ARE UNCLEAR ON ANY ASPECT OF THE INSTALLATION PROCEDURES, YOU SHOULD CONSULT A TRAINED DOOR SYSTEMS TECHNICIAN.

- READ THESE INSTRUCTIONS CAREFULLY BEFORE ATTEMPTING INSTALLATION. IF YOU ARE IN QUESTION ABOUT ANY OF THE PROCEDURES, DO NOT PERFORM THE WORK. INSTEAD, HAVE A TRAINED DOOR SYSTEMS TECHNICIAN DO THE INSTALLATION OR REPAIRS.
- Wear protective gloves and eye protection during installation, to avoid possible injury.
- **DO NOT** install door in windy conditions. Door could fall during the installation, causing severe or fatal injury.
- Doors 12'-0" wide and larger should be installed by two persons, to avoid possible injury.
- On electrically operated doors, pull down ropes must be removed and locks must be removed or made inoperative in the open (unlocked) position, unless electrical interlocks are installed.
- Impact guns are not recommended. When installing 5/16" lag screws using an electric drill/ driver, the drill/ drivers clutch must be set to deliver no more than 200 in-lbs of torque. Fastener failure could occur at higher settings.
- Check with your local building official for wind load code requirements and building permit information.
- For windloaded doors, the wind performance is achieved via the entire door system and component substitution is not authorized without express permission by the manufacturer.

CAUTION

IF ANY PART OF THE DOOR IS TO BE INSTALLED ONTO PRESERVATIVE-TREATED WOOD, PTFE-COATED OR STAINLESS STEEL FASTENERS MUST BE OBTAINED AND USED. REPLACEMENT FASTENERS MUST BE OF AT LEAST EQUAL STRENGTH AND SIZE AS ORIGINAL FASTENERS. IF THE ORIGINAL FASTENER WAS RED-HEAD, THE REPLACEMENT FASTENER MUST BE RED-HEAD ALSO. CONTACT WAYNE DALTON FOR FASTENER STRENGTH VALUES IF NEEDED.

Operation:

⚠ WARNING

TO PREVENT DEATH OR SERIOUS INJURY WHILE OPERATING THE DOOR, ENSURE THE PATH OF THE DOOR IS NOT OBSTRUCTED BY ANY PERSON OR OBJECT AND ADHERE TO THE FOLLOWING SAFETY MEASURES.

- Operate door only when it is properly adjusted and free from obstructions.
- If a door becomes hard to operate, inoperative or is damaged, immediately have necessary adjustments and/ or repairs made by a trained door system technician using proper tools and instructions.
- **DO NOT** stand or walk under a moving door, or permit anybody to stand or walk under an electrically operated door.
- **DO NOT** place fingers or hands into open section joints when closing a door. Use lift handles/ gripping points when operating door manually.
- **DO NOT** permit children to operate garage door or door controls. Severe or fatal injury could result should the child become entrapped between the door and the floor.
- Visually inspect door and hardware monthly for worn and or broken parts. Check to ensure door operates freely. Test electric opener's safety features monthly, following opener manufacturer's instructions.
- **NEVER** hang tools, bicycles, hoses, clothing or anything else from horizontal tracks. Track systems are not intended or designed to support extra weight.

Potential Hazard	Effect	Prevention
 Moving door	<p>⚠ WARNING</p> Could result in Death or Serious Injury	Keep people clear of opening while Door is moving. Do NOT allow children to play with the Door Opener. Do NOT operate a Door that jams or one that has a broken spring.
 High tension spring	<p>⚠ DANGER</p> Will result in Death or Serious Injury	Do NOT try to remove, install, repair or adjust springs or anything to which door spring parts are fastened, such as, wood blocks, steel brackets, cables or other like items. Installations, repairs and adjustments must be done by a trained door system technician using proper tools and instructions.

IMPORTANT: RIGHT and LEFT hand is determined inside the building looking out.

REMOVING AN EXISTING DOOR AND PREPARING THE OPENING

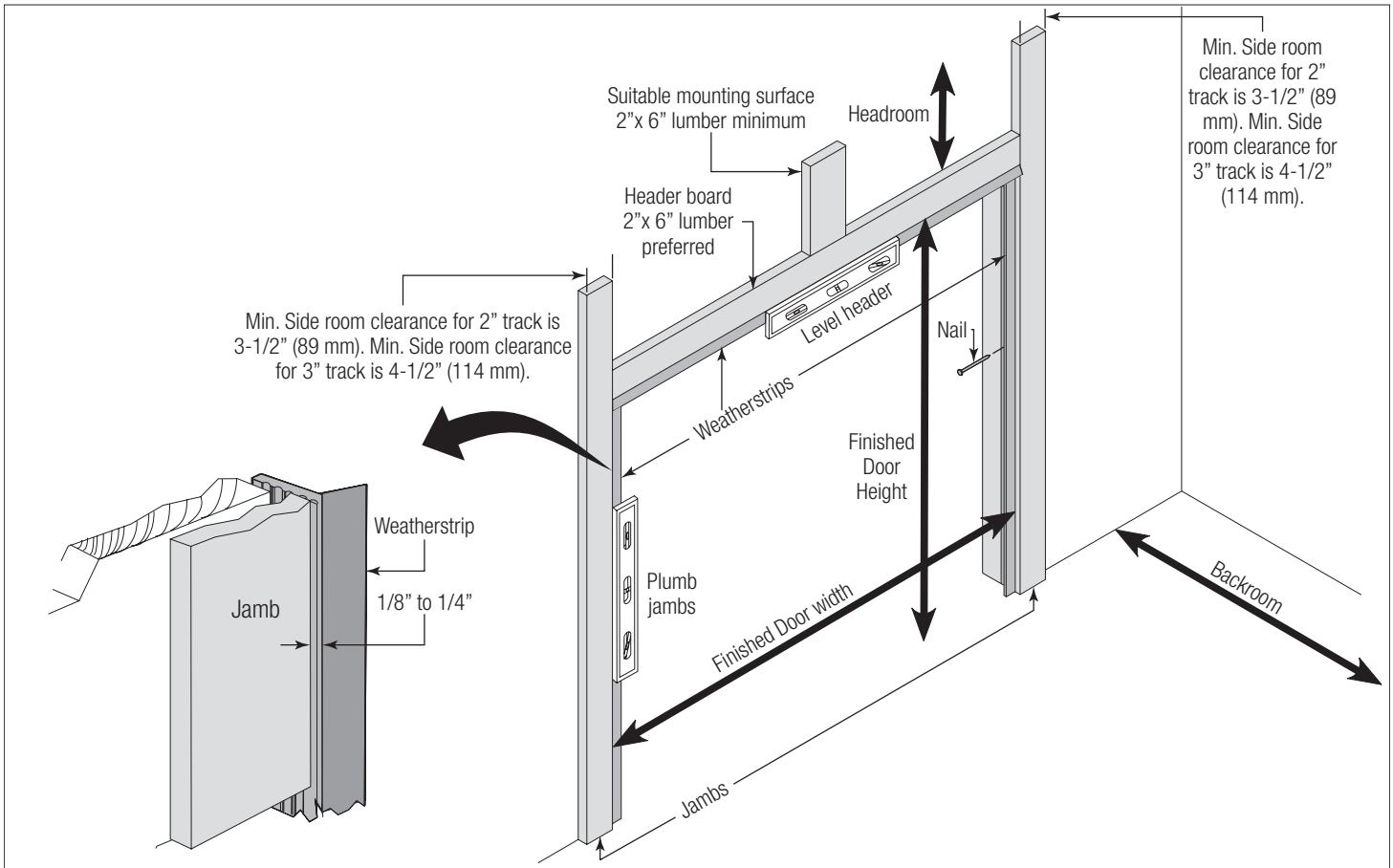


Figure 1

! DANGER

AVOID INJURY! A POWERFUL SPRING RELEASING ITS ENERGY SUDDENLY CAN CAUSE SEVERE OR FATAL INJURY. ALWAYS HAVE A TRAINED DOOR SYSTEMS TECHNICIAN, USING PROPER TOOLS AND INSTRUCTIONS, RELEASE THE SPRING TENSION.

! DANGER

COUNTERBALANCE SPRING TENSION MUST ALWAYS BE RELEASED BEFORE ANY ATTEMPT IS MADE TO START REMOVING AN EXISTING DOOR. EXTREME CAUTION SHOULD BE USED WHEN UNWINDING SPRINGS AS FAILURE TO FOLLOW THE INSTRUCTIONS OR USE PROPER TOOLS CAN LEAD TO SERIOUS INJURY.

See Figure 1 for the following steps.

To ensure secure mounting of track brackets, side and center brackets, or steel angles to new or retro-fit construction, it is recommended to follow the procedures outlined in DASMA technical data sheets #156, #161 and #164 at www.dasma.com.

- The inside perimeter of your garage door opening should be framed with wood jamb and header material.
- The jambs and header must be securely fastened to sound framing members. It is recommended that 2" x 6" lumber be used. The jambs must be plumb and the header level.
- The jambs should extend a minimum of 12" (305 mm) above the top of the opening for Torsion counterbalance systems.
- For low headroom applications, the jambs should extend to the ceiling height. Minimum side clearance required, from the opening to the wall, is 3-1/2" (89 mm).

NOTICE

CLOSELY INSPECT JAMBS, HEADER AND MOUNTING SURFACE. ANY WOOD FOUND NOT TO BE SOUND, MUST BE REPLACED.

For Torsion counterbalance systems, a suitable mounting surface (2" x 6") must be firmly attached to the wall, above the header at the center of the opening.

NOTICE

DRILL A SUITABLE PILOT HOLE IN THE MOUNTING SURFACE TO AVOID SPLITTING THE LUMBER. DO NOT ATTACH THE MOUNTING SURFACE WITH NAILS.

Weatherstrips (Not Included):

Depending on the size of your door, you may have to cut or trim the weatherstrips to properly fit into the header and jambs.

NOTICE

IF NAILING PRODUCT AT 40°F, (4.4°C) OR BELOW, PRE-DRILLING IS REQUIRED.

1. For the header, align the weatherstrip with the inside edge of the header and temporarily secure it to the header with equally spaced nails, approximately 12" to 18" (305 mm - 457 mm) apart.
2. Starting at either side of the jamb, fit the weatherstrip up tight against the temporarily attached weatherstrip in the header and flush with the inside edge of the jamb.
3. Temporarily secure the weatherstrip with equally spaced nails. Repeat for other side. This will keep the bottom door section from falling out of the opening during installation.

Headroom requirement:

Headroom required is defined as the space needed above the top of the door for tracks, springs, etc. to allow the door to open properly.

If the door is to be motor operated, 2-1/2" (64 mm) of additional headroom is required.

Dimension (Dim.) "Y":

Indicates the distance from the header to the center line of torsion shaft.

NOTE: 2-1/2" of additional headroom is required for single trolley operator installations.

NOTE: Headroom can be reduced 2-1/2" by using the quick closing top fixture or by shortening the vertical tracks by 3" max.

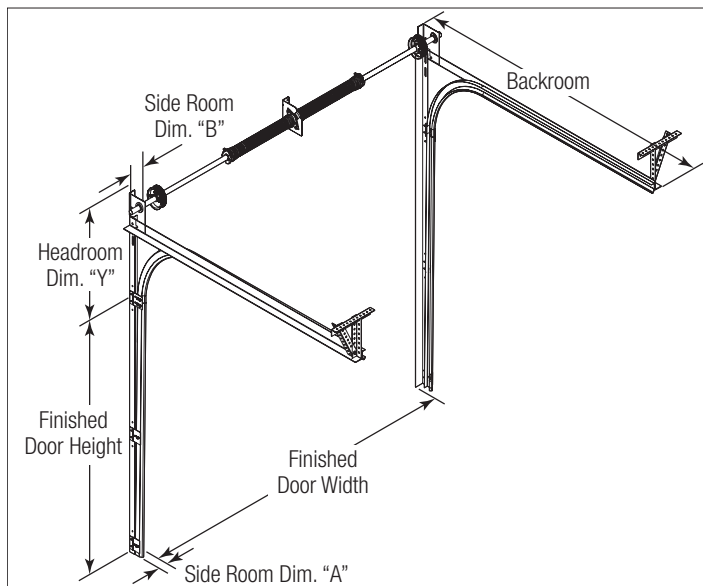
Headroom Requirements (Minimum Distance Required)

Cable Drums	Dimensions	3" Track, 15" Radius	2" Track, 15" Radius	2" Track, 12" Radius
400-8, 400-12	Headroom Dim. "Y"	15-1/2"	14-1/2"	12-1/2"
5250-18		19"	17"	14"
800-32		22"	20"	17"

Backroom requirement: Backroom is defined as the distance needed from the opening back into the garage to allow the door to open fully.

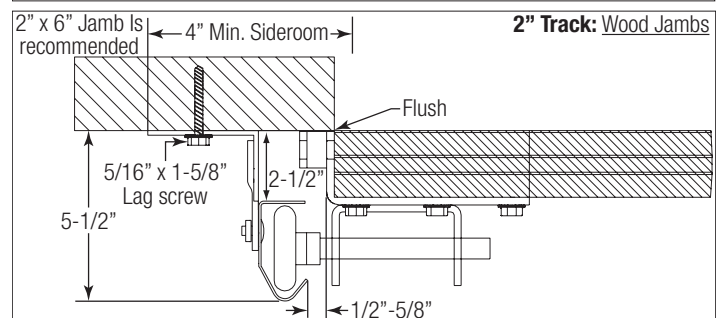
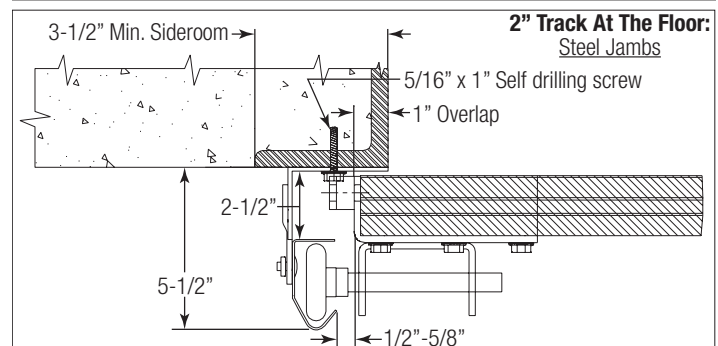
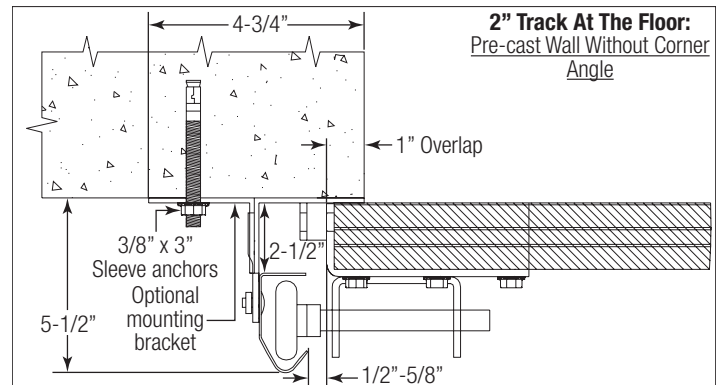
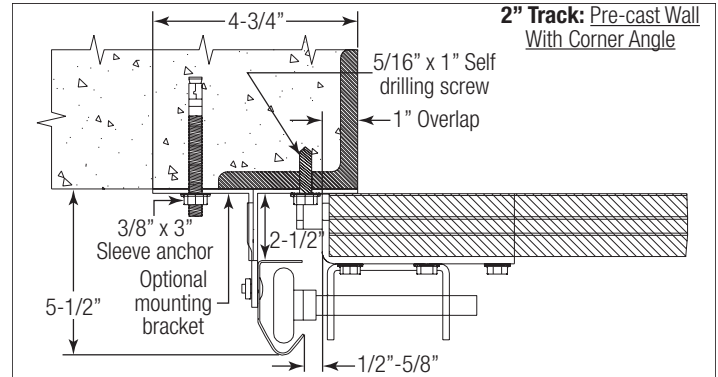
Backroom Requirements (Minimum Distance Required)

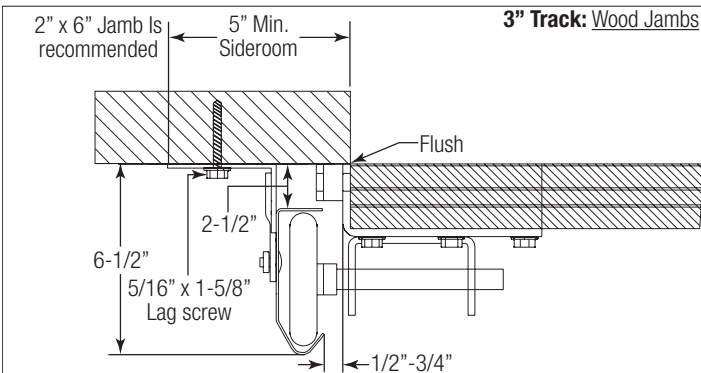
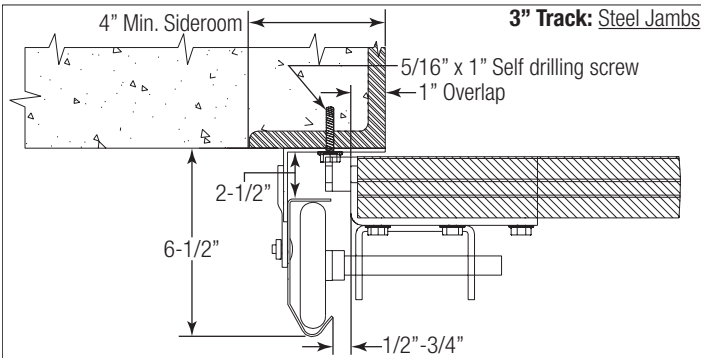
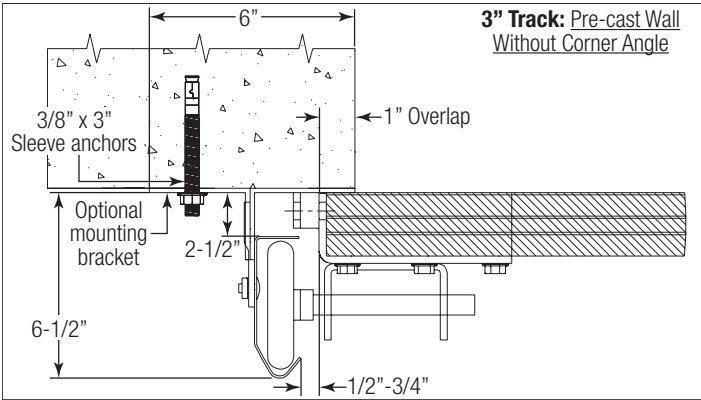
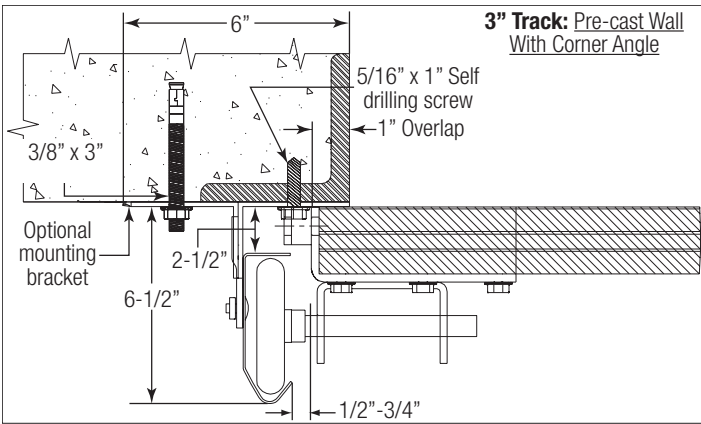
Track size	Manual Depth Into room	Dim. "A" Side room track		Dim. "B" Side room Torsion Shaft	
		Steel	Masonry / Wood	Solid	Tube
2"	Door Height Plus 18"	3-1/2"	4"	5"	4"
3"	Door Height Plus 24"	4"	5"	6-1/2"	5-1/2"



Side Room Requirements: Side room is defined as the distance needed from the door opening to a wall or any obstruction.

Side Room Requirements (Minimum Distance Required)





Package Contents

NOTE: Depending on the door model, some parts listed may not be required, and will not be supplied.

Components and Hardware



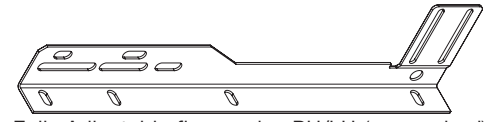
Door sections (as required)



Torsion shaft / Torsion keyed shaft (as required)



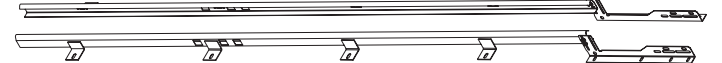
Torsion keyed shafts (as required)



Fully Adjustable flag angles RH/LH (as required)



Vertical tracks RH/LH (as required)



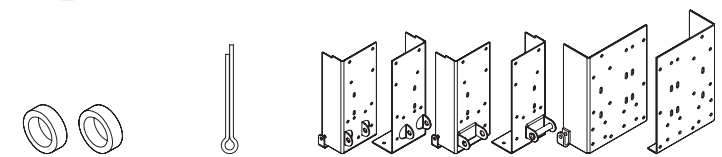
Riveted vertical track assemblies RH/LH (as required)



Wall angle track assemblies RH/LH (as required)



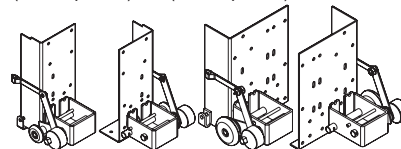
Horizontal tracks RH/LH



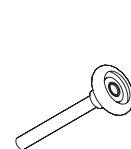
(2) Spacers (as required)

Cotter pin (as required)

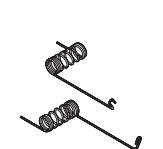
(2) Bottom corner brackets (as required)



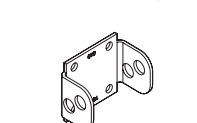
Broken cable safety devices (if included)



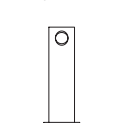
Track rollers



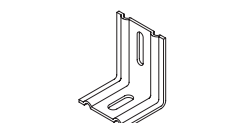
Cable keepers (if included)



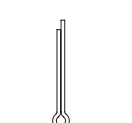
Track roller carriers (if included)



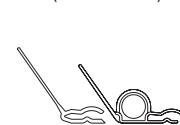
Clevis pin (as required)



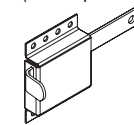
Fully adjustable jamb brackets (as required)



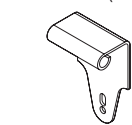
Cotter pin bracket (as required)



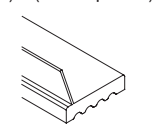
Wall angle seals (as required)



Inside lock (if included)



Step plate(s) (if included)



Weather seals & nails (if included)

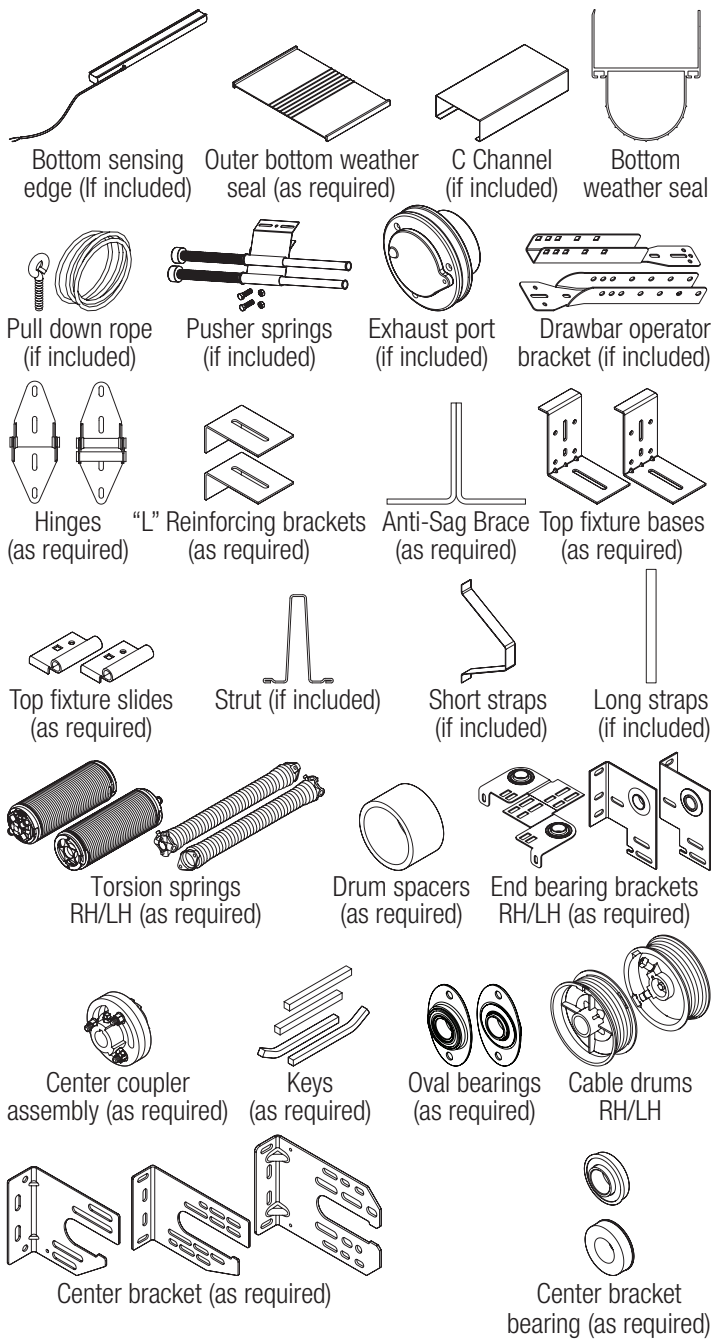


Figure 2

Fasteners

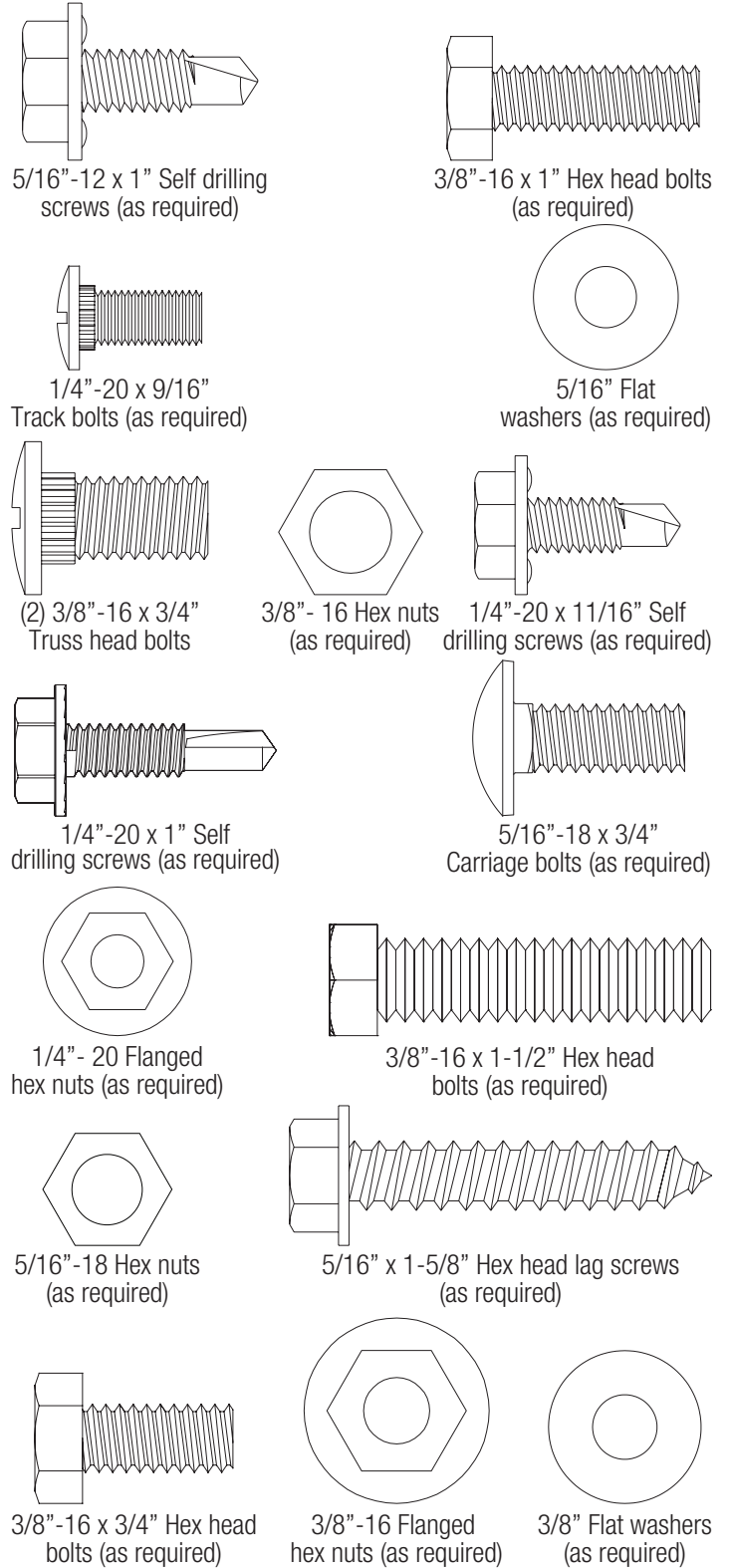


Figure 3

Door Section Identification

See Figure 4 and Figure 7 for the following steps.

Type Of Sections	
How Many Sections High	Type Of Section
12	Top Section
11	Intermediate Section IX (As Required)
10	Intermediate Section VIII (As Required)
9	Intermediate Section VII (As Required)
8	Intermediate Section VI (As Required)
7	Intermediate Section V (As Required)
6	Intermediate Section IV (As Required)
5	Intermediate Section III (As Required)
4	Intermediate Section II (As Required)
3	Intermediate Section I (As Required)
2	Lock Section
1	Bottom Section

NOTE: To determine your Door Section Identification, refer to the Type Of Sections chart above to determine the number of sections your door came with.

NOTE: If you have different sections heights, the 24" sections heights are always stacked at the bottom and the 21" sections height stacked to the top.

The **BOTTOM SECTION** can be identified by the factory attached bottom bracket warning labels on each end stile.

When installing your door you must use sections of the appropriate height in the right stacking order. What sections heights you need to use in what order depends on the height of your door Sections are either 24" or 21" in Section Height.

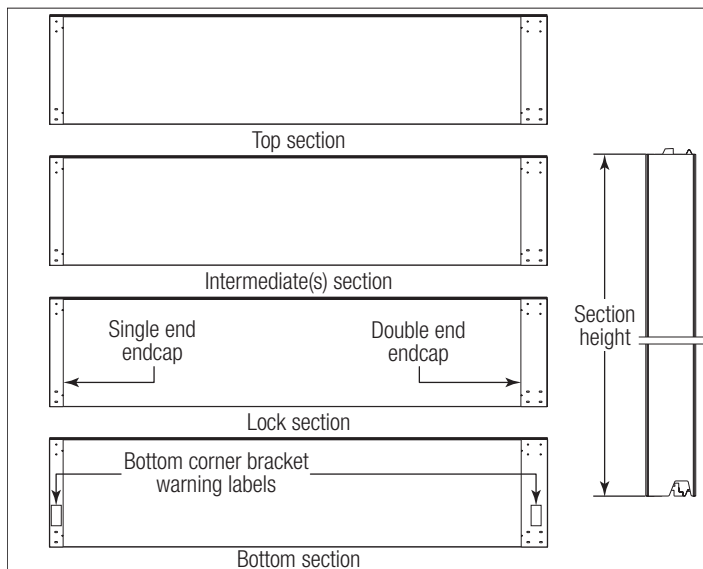


Figure 4

Tools Required

Personal Protection Equipment (PPE)



Figure 5

Hand Tools

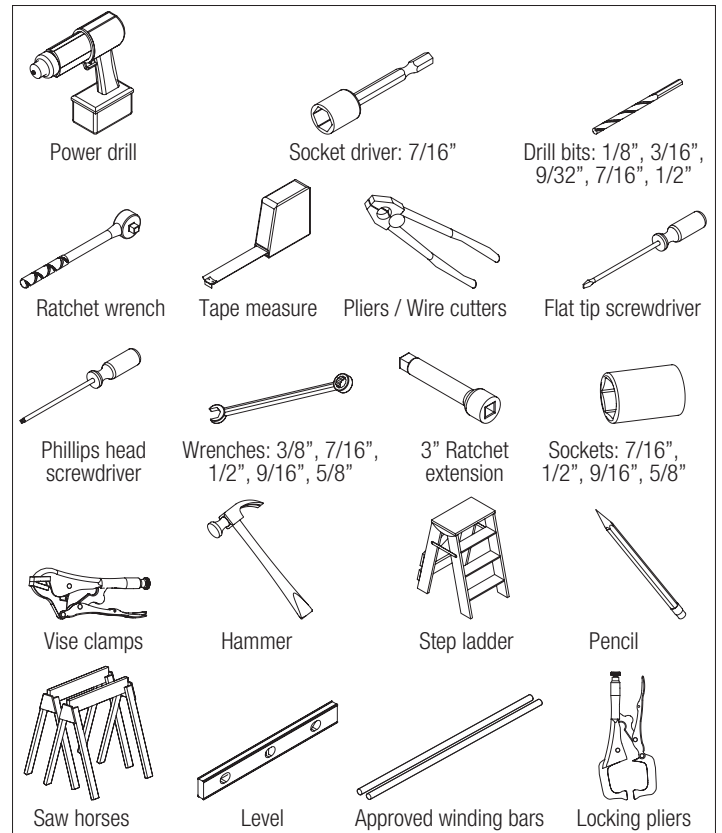


Figure 6

BREAKDOWN OF DOOR COMPONENTS

NOTE: The illustrations shown on this page are general representations of the door parts. Each specific door models may have unique variations.

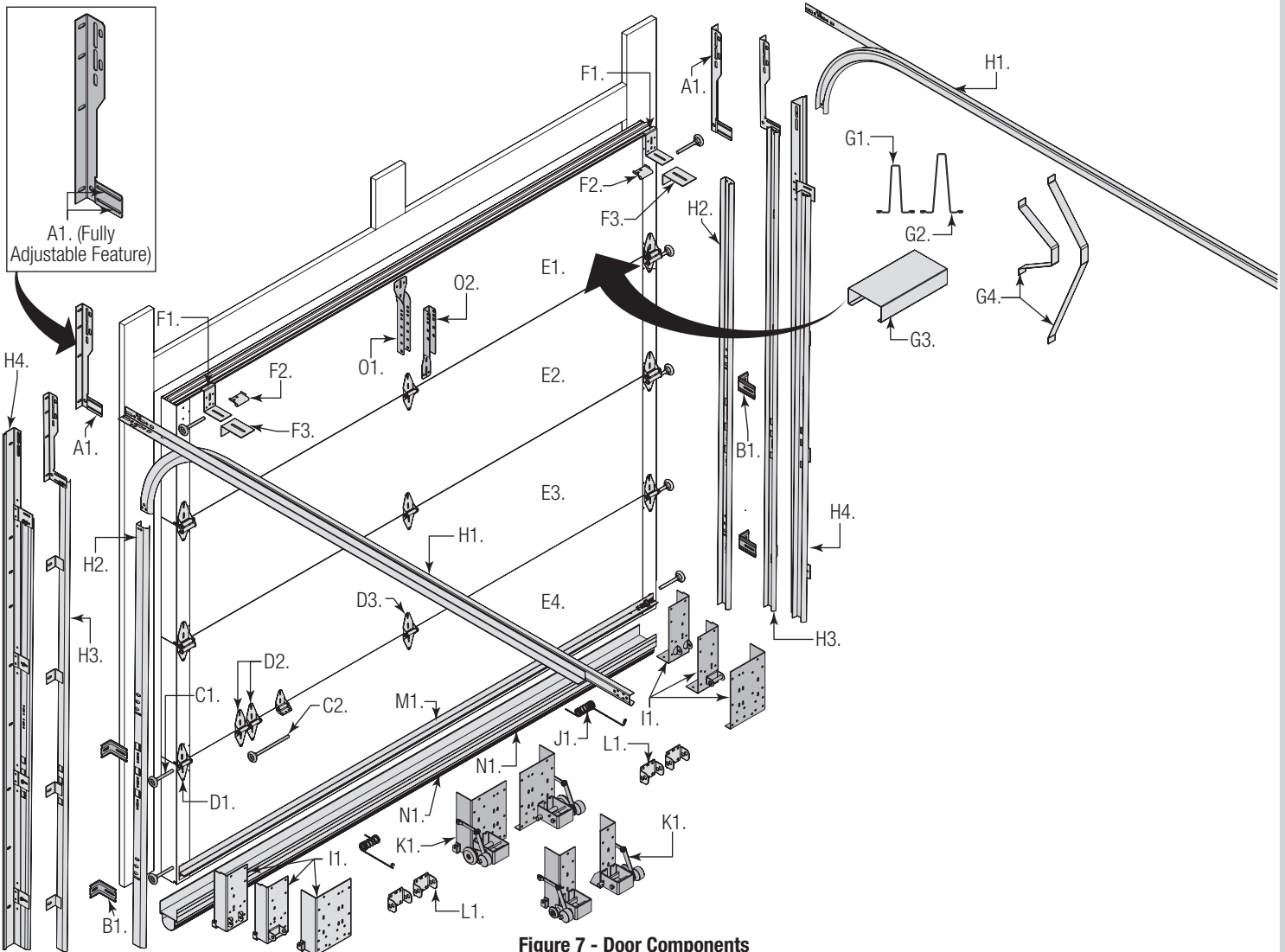


Figure 7 - Door Components

A. Flag Angles (As Required):

- A1. Fully Adjustable (F.A.) Flag Angles

B. Jamb Brackets (As Required):

- B1. Fully Adjustable (F.A.) Jamb Brackets

C. Track Rollers (As Required):

- C1. Short Stem Track Rollers / • C2. Long Stem Track Rollers

D. Graduated End Hinges:

- D1. Single Graduated End Hinges (S.E.H.), Industry Standard
- D2. Double Graduated End Hinges (D.E.H.), Industry Standard
- D3. Half Center Hinges (As Required)

E. Stacked Sections:

- E1. Top Section / • E2. Intermediate Section(s)
- E3. Lock Section / • E4. Bottom Section

F. Top Fixtures:

- F1. Top Fixture Bases / • F2. Top Fixture Slides
- F3. "L" Reinforcing Brackets (As Required)

G. Strut(s) (As Required):

- G1. Strut (2" U-shaped) / • G2. Strut (3" U-shaped)
- G3. C Channel / • G4. C Channels straps

H. Tracks (As Required):

- H1. Left Hand and Right Hand Horizontal Track Assemblies
- H2. Left Hand and Right Hand Vertical Tracks
- H3. Left Hand and Right Hand Vertical Track Assemblies
- H4. Left Hand and Right Hand Wall Angle Track Assemblies

I. Bottom Corner Brackets (As Required):

- I1. Left Hand and Right Hand Bottom Corner Brackets

J. Cable Keepers (As Required):

- J1. Cable Keepers

K. Broken Cable Safety Devices (As Required):

- K1. Left Hand And Right Hand Broken Cable Safety Devices

L. Track Roller Carrier's (As Required):

- L1. Track Roller Carrier's

M. Anti-Sag Brace (As Required):

- M1. Anti-Sag Brace

N. Bottom Weather Seal:

- N1. Bottom Weather Seal (Door Width)

O. Drawbar Operator Bracket (For Trolley Operated Doors):

- O1. Top Halve / • O2. Bottom Halve

BREAKDOWN OF COUNTERBALANCE COMPONENTS

NOTE: The illustrations shown on this page are general representations of the door parts. Each specific door models may have unique variations.

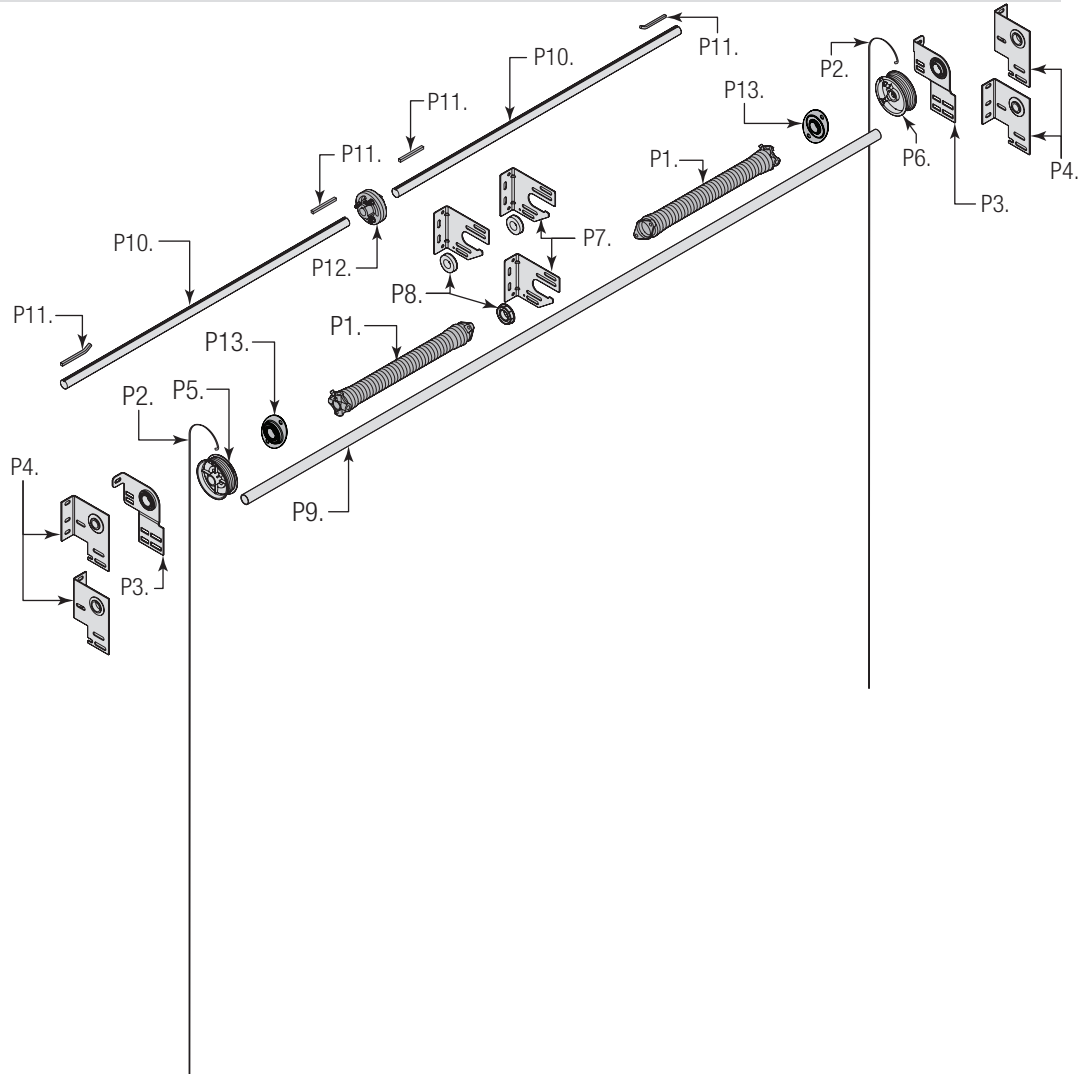


Figure 7 - Counterbalance Components

P. TORSION SPRING ASSEMBLY (AS REQUIRED):

- P1. Left Hand and Right Hand Torsion Springs (As Required)
- P2. Counterbalance Lift Cables
- P3. Left Hand End Bearing Bracket (As Required)
- P4. Right Hand End Bearing Bracket (As Required)
- P5. Left Hand Cable Drum
- P6. Right Hand Cable Drum
- P7. Center Bracket(s) (As Required)
- P8. Center Bracket Bearing(s) (As Required)
- P9. Torsion Shaft / Torsion Keyed Shaft (As Required)
- P10. Torsion Keyed Shafts (As Required)
- P11. Keys (As Required)
- P12. Center Coupler Assembly (As Required)
- P13. Oval Bearings (As Required)

INSTALLATION INSTRUCTIONS

Door Installation Instructions

BEFORE INSTALLING YOUR DOOR, BE CERTAIN THAT YOU HAVE READ AND FOLLOWED ALL OF THE INSTRUCTIONS COVERED IN THE PRE-INSTALLATION SECTION OF THIS MANUAL. FAILURE TO DO SO MAY RESULT IN AN IMPROPERLY INSTALLED DOOR.

IMPORTANT: Reference TDS 160 for general garage door terminology at www.dasma.com.

NOTICE

IF THE DOOR WILL BE EXPOSED TO A SIGNIFICANT AMOUNT OF ROAD SALT, PAINT THE BOTTOM GALVANIZED STEEL WEATHER RETAINER TO INHIBIT RUSTING.

1 VERTICAL TRACK ASSEMBLY

IMPORTANT: If you have Riveted Track or Angle Mount Track, skip this step.

NOTE: For clarity, all graphics shown are of the left side, right side will be the same.

IMPORTANT: The bottom jamb bracket is always the shortest bracket, while the center jamb bracket is the next tallest. If three jamb brackets per side are included with your door, you will have received a top jamb bracket, which is the tallest.

See Figure 8 for the following steps.

1a. Hand tighten the flag angle to the vertical track using two 1/4" - 20 x 9/16" track bolts and two 1/4" - 20 flange hex nuts.

1b. Attach the shortest jamb bracket by aligning the slot in the shortest jamb bracket with the lower hole of the hole/ slot pattern of the vertical track. Hand tighten the jamb bracket using (1) 1/4" - 20 x 9/16" track bolt and (1) 1/4" - 20 flange hex nut.

1c. Place the tallest jamb bracket over the lower hole of the hole/ slot pattern that is centered between the bottom jamb bracket and flag angle of the 2nd hole set. Hand tighten the jamb bracket using (1) 1/4" - 20 x 9/16" track bolt and (1) 1/4" - 20 flange hex nut.

1d. Repeat this process for the right hand side.

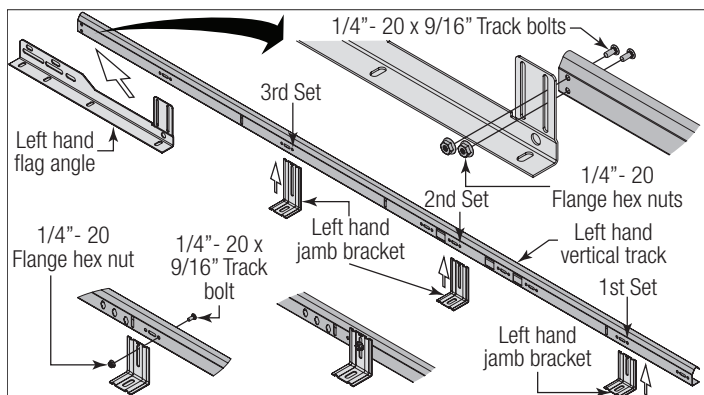


Figure 8, Left Side Shown

2 BOTTOM WEATHER SEAL

NOTE: If you don't have a bottom sensing edge, then skip this portion of the step and continue with the outer bottom weather seal installation or bottom weather seal installation. Refer to Package Contents / Breakdown of Parts, to determine if you have a bottom sensing edge.

NOTE: The bottom weather seal may or may not be loosely positioned onto the bottom section from the factory. If needed, pull the bottom weather seal off the bottom section and secure it, per these instructions.

NOTE: If needed, you may need to notch out the ends of the bottom weather seal prior to installing the bottom corner brackets.

NOTE: Verify the length of the bottom sensing edge is approximately the same length as the bottom weather seal.

See Figure 9 through Figure 11 for the following steps.

Bottom Sensing Edge Installation:

2a. Using one of the counterbalance lift cables, position the loop end of the counterbalance lift cable onto the bottom sensing edge.

2b. Wrap several layers of electrical tape around the loop end of the counterbalance lift cable and the bottom sensing edge. Insert the other end of the counterbalance lift cable through the bottom weather seal, clear to the opposite end.

NOTE: Be careful not to stretch the bottom weather seal.

NOTE: If needed, use soapy water to help slide the bottom sensor edge into the bottom weather seal.

2c. With assistance, insert the bottom sensor edge into the bottom weather seal and pull the counterbalance lift cable all the way through until the bottom sensor edge starts to exit the opposite side of the bottom weather seal.

2d. Remove the counterbalance lift cable and the electrical tape from the bottom sensor edge. Set the counterbalance lift cable aside and discard the electrical tape. Push the bottom sensor edge back into the bottom weather seal.

NOTE: After the bottom sensing edge is installed into the bottom weather seal, caulk or glue the ends of the bottom sensing edges to prevent the bottom sensing edge from coming out of the bottom weather seal.

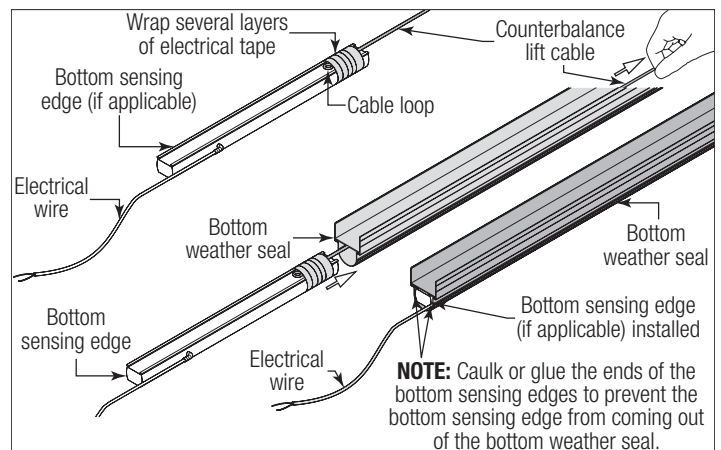


Figure 9

Outer Bottom Weather Seal Installation (Optional):

NOTE: If you don't have an outer bottom weather seal, then skip this portion of the step and continue with the bottom weather seal installation. Refer to Package Contents / Breakdown of Parts, to determine if you have an outer bottom weather seal.

2a. Unfold and lay the outer bottom weather seal out flat.

2b. Fold the ends of the outer bottom weather seal upward.

2c. With assistance, hold the outer bottom weather seal straight and aligned with the outer rectangular slots of the bottom weather seal.

2d. Slide the outer bottom weather seal through the entire length of the bottom weather seal until the outer bottom weather seal is even with opposite end of the bottom weather seal.

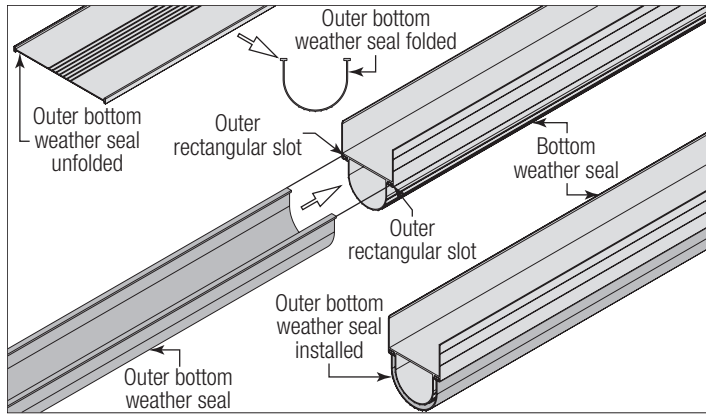


Figure 10

Bottom Weather Seal Installation:

NOTE: Refer to door section identification, located in the pre-installation section of this manual. Refer to Package Contents / Breakdown of Parts, to determine your bottom section.

NOTE: Verify that the bottom weather seal is aligned with bottom section. If needed, trim the bottom weather seal even with bottom section length. **DO NOT CUT OR TRIM THE BOTTOM SENSOR EDGE (IF INSTALLED).**

2e. Position the bottom weather seal up against the bottom of the bottom section with the long lip on the inside surface of the bottom section.

2f. From inside the door, attach the bottom weather seal to the bottom section with 1/4" - 20 x 11/16" self drilling screws, placing one 6" in from each end of the bottom section and one every 18" (maximum) in between.

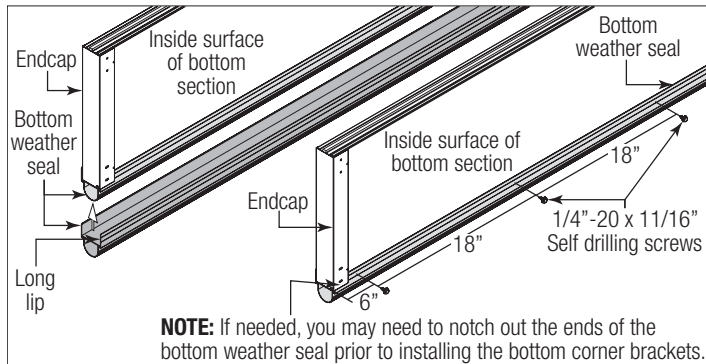


Figure 11

3 ATTACHING BOTTOM CORNER BRACKETS

IMPORTANT: Refer to door section identification, located in the pre-installation section of this manual or refer to Breakdown of Parts.

WARNING

ENSURE TIGHT FIT OF CABLE LOOP OVER PIN TO PREVENT COUNTERBALANCE LIFT CABLE FROM COMING OFF THE PIN, WHICH COULD ALLOW THE DOOR TO FALL AND RESULT IN DEATH OR SERIOUS INJURY.

See Figure 12 for the following steps.

3a. Uncoil the counterbalance lift cables.

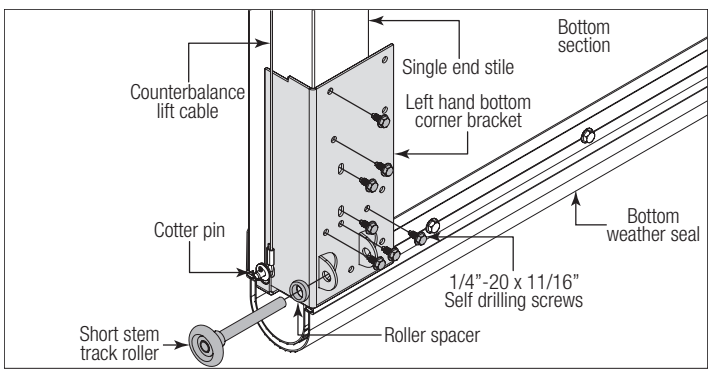


Figure 12, Left Side Shown

IMPORTANT: Refer to Package Contents / Breakdown of Parts, to determine which bottom corner brackets you have.

See Figure 13 through Figure 15 for the following steps.

3b. Secure the cable loop to the clevis pin and bottom corner bracket using a flat washer and a cotter pin.

3c. Bend the ends of the cotter pin outwards to secure it in place.

3d. Repeat same process for other side.

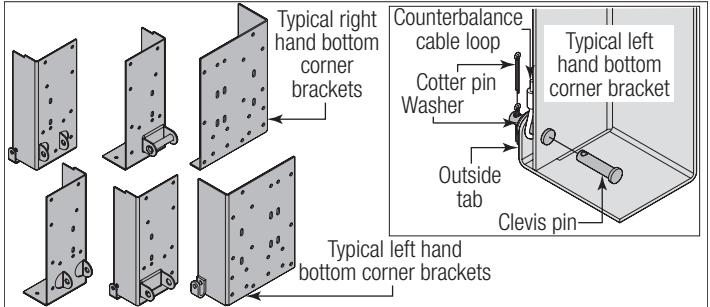


Figure 13, Left Side Shown

3e. Attach the left hand bottom corner bracket to the left corner of the bottom section, making sure it is seated to the edges of the end cap, using 1/4" - 20 x 11/16" self drilling screws.

3f. Insert a short stem track roller with roller spacer (if applicable) into the bottom corner bracket.

3g. Repeat same process for the right hand side.

NOTE: If your door didn't come with a bottom sensing edge, verify that the bottom weather seal (bottom seal) is aligned with door section. If there is more than 1/2" excess bottom weather seal on either side, trim bottom weather seal even with door section.

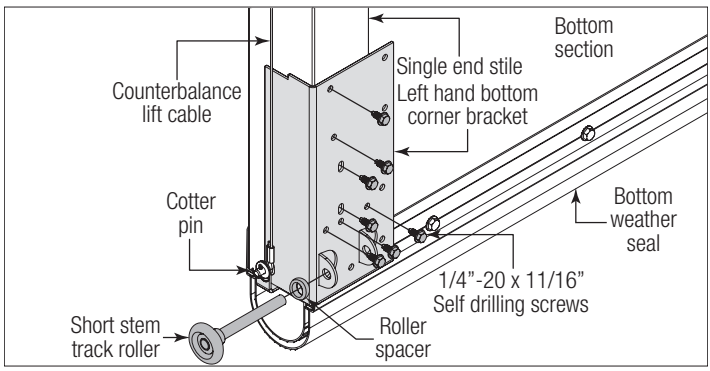


Figure 14, Left Side Shown

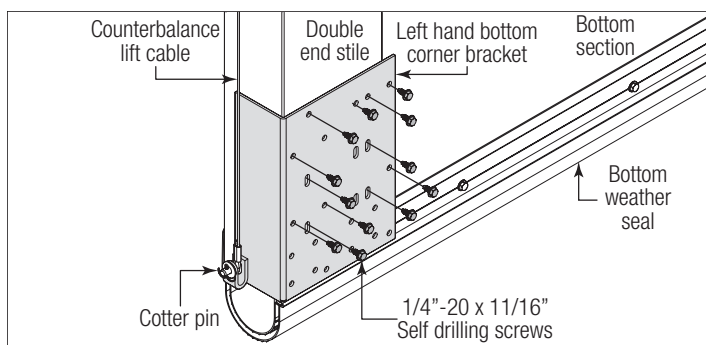


Figure 15, Left Side Shown

4 ATTACHING TRACK ROLLER CARRIER'S

IMPORTANT: If you don't have track roller carriers, then skip this step. Refer to Package Contents / Breakdown of Parts, to determine if a track roller carrier was supplied with your door.

IMPORTANT: The track roller carrier's inner holes are used on doors with 2" track applications with a short stem track roller; the outer holes are used on doors with 3" track applications with a long stem track roller.

See Figure 16 for the following steps.

4a. Starting on left hand side of the bottom section, attach the track roller carrier with the stamp "STD" facing UP to the bottom corner bracket by aligning the four holes of the track roller carrier with the four holes in the bottom corner bracket.

4b. Secure the track roller carrier to the bottom corner bracket using 1/4" - 20 x 1" self drilling screws.

4c. Repeat for the other track roller carrier and repeat the same process for the right hand side.

4d. Insert a long stem track roller with roller spacer into the bottom corner bracket.

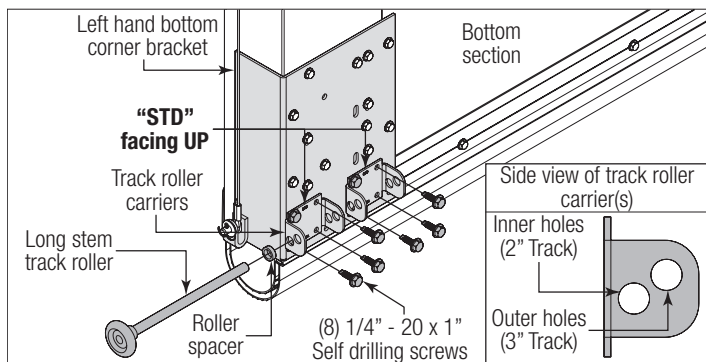


Figure 16, Left Side Shown

5 ATTACHING CABLE KEEPERS

IMPORTANT: If you don't have cable keepers, then skip this step. Refer to Package Contents / Breakdown of Parts, to determine if cable keepers was supplied with your door.

IMPORTANT: Cable keepers are intended to help prevent counterbalance lift cables from coming off cable drums on manually operated doors.

NOTE: Cable keepers are right hand and left hand.

NOTE: Cable keepers are color coded, black for right hand side and red for left hand side.

See Figure 17 for the following steps.

5a. Locate the left hand cable keeper and position the left hand cable keeper in between the roller carrier tabs.

5b. Insert a short stem track roller with roller spacer through the holes in the tabs and through the cable keeper.

5c. Repeat the same process for the right hand side.

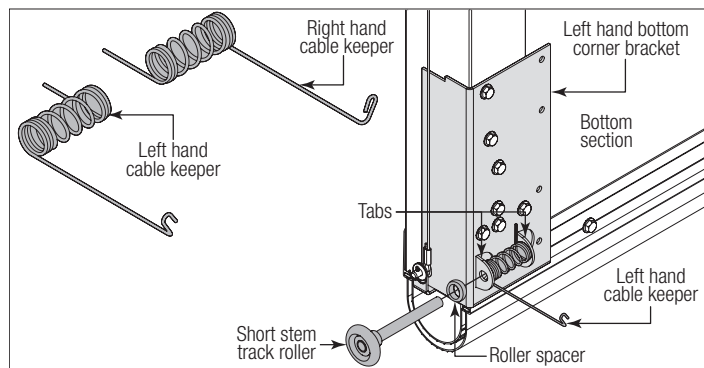


Figure 17, Left Side Shown

6 ATTACHING BROKEN CABLE SAFETY DEVICE

IMPORTANT: If you don't have broken cable safety devices, then skip this step. Refer to Package Contents / Breakdown of Parts, to determine if you have broken cable safety devices.

See Figure 18 for the following steps.

6a. Locate the left hand broken cable safety device and reference step Bottom Corner Brackets to secure the counterbalance cable to the broken cable safety device.

6b. Align the broken cable safety device horizontally with the bottom edge of the bottom section and also align the broken cable safety device vertically with the left bottom edge of the bottom section.

6c. Attach the broken cable safety device to the bottom section with (6) 1/4" - 20 x 11/16" self drilling screws.

6d. Thread the counterbalance lift cable through the arm of the broken cable safety device.

6e. Repeat the same process for the right hand side.

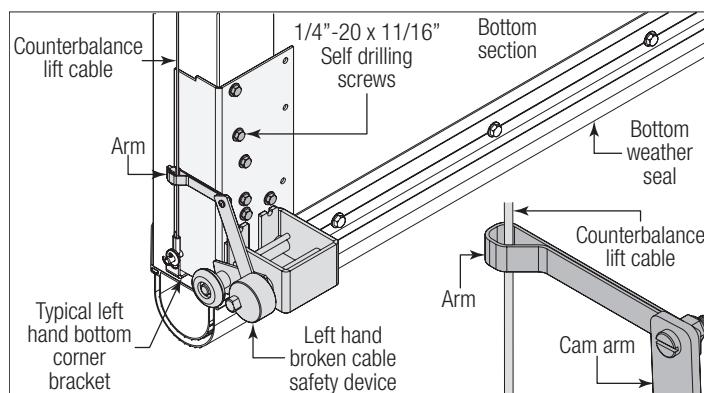


Figure 18, Left Side Shown

7 ATTACHING TOP FIXTURES / STRUTTING

IMPORTANT: Refer to door section identification, located in the pre-installation section of this manual or refer to Breakdown of Parts.

IMPORTANT: Refer to the Strutting Schedule in Step Attaching Graduated Hinge / Strutting, to determine if a strut is required to be installed on your top section.

NOTE: If your door came with two top fixtures, then one top fixture and a short stem track roller are required for each side.

NOTE: If your door came with four top fixtures, then two top fixtures and a long stem track roller are required for each side.

NOTE: If your door is to be trolley operated and less than door width 20'3", it is recommended that a strut be installed along the top portion of the top section.

See Figure 19 through Figure 23 for the following steps.

7a. Loosely secure the top fixture slide and the "L" reinforcement bracket (if applicable) to the top fixture base using one 5/16" - 18 x 3/4" carriage bolt and one 5/16" - 18 hex nut.

7b. Repeat for others.

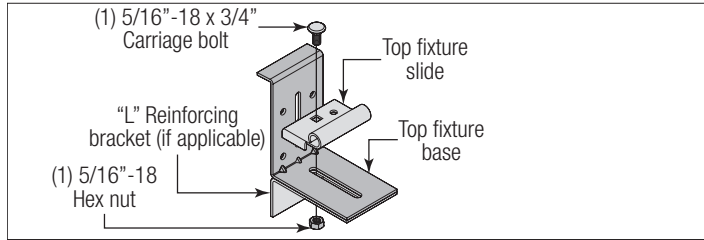


Figure 19

If Your Top Section Does Not Require A Strut:

7c. Starting on the left hand side of the top section, align the lip of the top fixture base on top of the corner of the top section and even with the edge of the section.

7d. Fasten the top fixture base to the section using four 1/4" - 20 x 1" self drilling screws.

7e. Secure the "L" reinforcement bracket (if applicable) to the section using one 1/4" - 20 x 11/16" self drilling screw.

7f. Repeat the same process for other top fixture assembly(s).

7g. Insert the appropriate short / long stem track roller into the top fixture slide(s).

7h. The top fixture assemblies will be tightened and adjusted later, in step, Adjusting Top Fixtures.

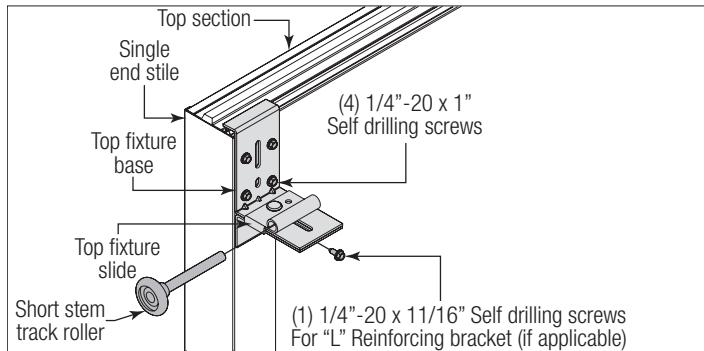


Figure 20, Left Side Shown

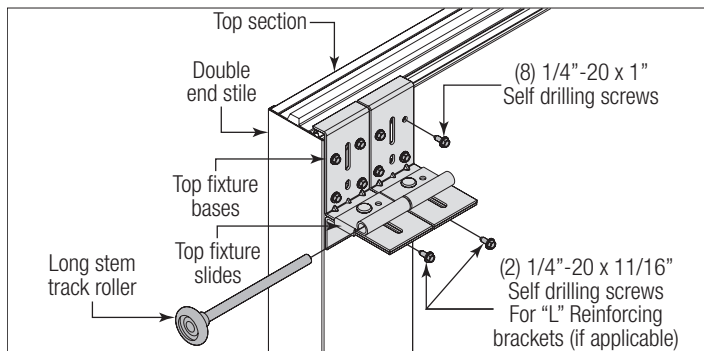


Figure 21, Left Side Shown

If Your Top Section Requires A Strut:

7c. Starting on the left hand side of the top section, align the lip of the top fixture base on top of the corner of the top section and even with the edge of the section.

7d. Fasten the bottom two holes in the top fixture base to the section using 1/4" - 20 x 1" self drilling screws.

7e. Fasten the strut and the strut clips to the slots in the top fixture base to the section using 1/4" - 20 x 1" self drilling screw.

7f. Secure the "L" reinforcement bracket (if applicable) to the section using one 1/4" - 20 x 11/16" self drilling screw.

7g. Repeat the same process for other top fixture assembly(s).

7h. Insert the appropriate short / long stem track roller into the top fixture slide(s).

7i. The top fixture assemblies will be tightened and adjusted later, in step, Adjusting Top Fixtures.

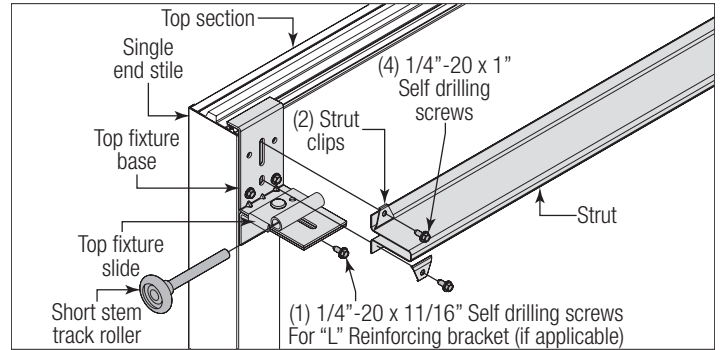


Figure 22, Left Side Shown

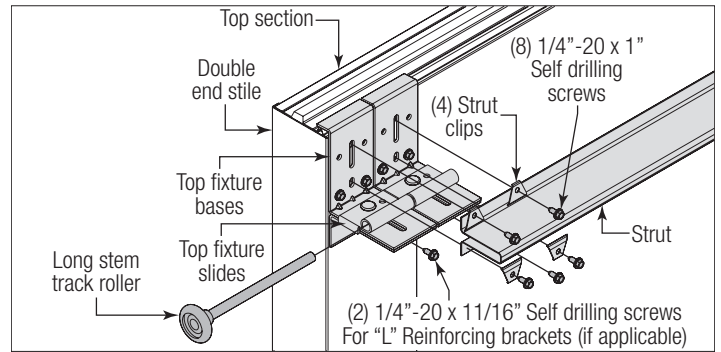


Figure 23, Left Side Shown

8 ATTACHING GRADUATED HINGE / STRUTTING

NOTE: Refer to the Door Section Identification, Graduated End Hinge Schedule and Strutting Schedule, to determine the appropriate hinges and or struts needed to be installed onto your section(s).

NOTE: The graduated hinges can be identified by the number stamped onto their lower hinge leaf. The graduated end hinge sequence is dependent on your track size (2" or 3"). Refer to Graduated End Hinge Schedule.

NOTE: Strut(s) and hinges must be installed at the same time. The instructions below describe strut(s) and hinge installation. However, only install Strut(s) as indicated in the Strutting Schedule.

IMPORTANT: Once the 1/4" - 20 self drilling screws are snug against the lower hinge leaves, tighten an additional 1/4 to 1/2 turn to receive maximum design holding power.

IMPORTANT: Push & hold the hinge leaf and or strut securely against the section while securing with the 1/4" - 20 self drilling screws. There should be no gap between the hinge leaf and the section.

IMPORTANT: When placing track rollers into the #2 graduated end hinges and higher, the track roller goes into hinge tube furthest away from section.

NOTE: Depending on your door, your hinges may be of different gauges. Reference the stamp on the upper hinge leaf. If you do have different gauge hinges, the thicker gauge hinges will need to be installed on the ends of the sections and not at the center of the sections.

Graduated End Hinge Schedule			
Section Type	(11 GA.) Graduated End Hinge Number		
	2" Track	3" Track (<= 9 Sections High)	3" Track (> 9 Sections High)
Intermediate IX	N/A	N/A	#8
Intermediate VIII	N/A	N/A	#7
Intermediate VII	#9	N/A	#7
Intermediate VI	#8	#10	#6
Intermediate V	#7	#9	#6
Intermediate IV	#6	#8	#5
Intermediate III	#5	#7	#5
Intermediate II	#4	#6	#4
Intermediate I	#3	#5	#4
Lock	#2	#4	#3
Bottom	#1	#3	#3

Strutting Schedule	
Door Widths	Strutting location
20'3" - 26'2"	(1) 3" Strut, every other section NOTE: Start with the Top Section; extra strut (if provided) goes on the bottom section.
26'3" - 32'2"	(1) 3" Strut, per section

See Figure 24 through Figure 27 for the following steps.

To Attach (11 GA.) Graduated End Hinges With No Strut:

- 8a. Locate the bottom section, the appropriate graduated end hinges for the end stiles.
- 8b. Starting on the left hand side of the bottom section, align the lower hinge leaf of the graduated end hinge over the two punch marks, located at the top of the end stile.
- 8c. Fasten each graduated end hinge to the section using 1/4" - 20 x 11/16" self drilling screws.
- 8d. Repeat the same process for the right hand side.

To Attach (11 GA.) Graduated End Hinges With A Strut:

- 8a. Locate the bottom section, the appropriate graduated end hinges for the end stiles.
- 8b. Starting on the left hand side of the bottom section, align the lower hinge leaf of the graduated end hinge over the two punch marks, located at the top of the end stile.
- 8c. Center the appropriate strut over the section and over the graduated end hinges.
- 8d. Fasten each graduated end hinge to the section using 1/4" - 20 x 7/8" self drilling screws. Repeat the same process for the right hand side.

To Attach (14 GA.) Center Hinge(S) With No Strut:

- 8e. Place the lower hinge leaf of the center hinge over the dimples, located at the top of the section.
- 8f. Attach lower hinge leaves to the section using 1/4" - 20 x 11/16" self drilling screws.
- 8g. Repeat the same process for other center hinge(s).

NOTE: If your door came with C Channel(s) (reference step C Channel), then only secure the top slot of the lower hinge leaf of the center hinge to the section surface using (1) 1/4" - 20 x 7/8" self drilling screw.

To Attach (14 GA.) Center Hinge(S) With A Strut:

- 8e. Place the lower hinge leaf of the center hinge on the bottom section, so that the lower numbered hinge leaf slides under the strut and over the dimples which run along the top portion of the section.
- 8f. Fasten the center hinge and strut together to the section using (2) 1/4" - 20 x 7/8" self drilling screws.
- 8g. Repeat the same process for other center hinge(s).

NOTE: Depending on the width of your door, you may have only one center hinge (dimples) marking.

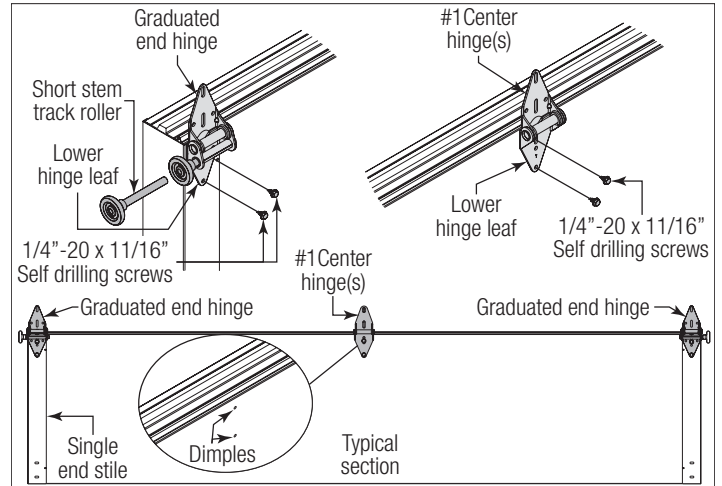


Figure 24

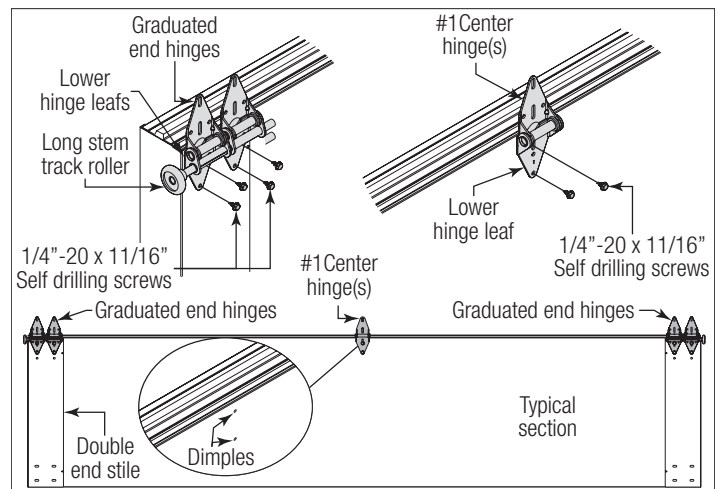


Figure 25

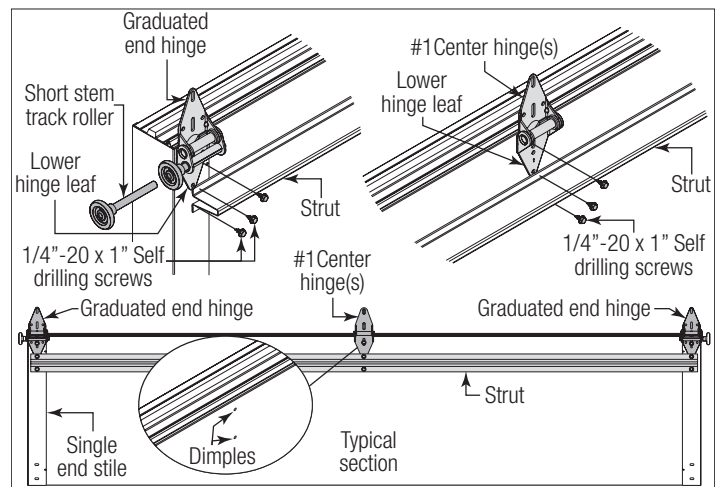


Figure 26

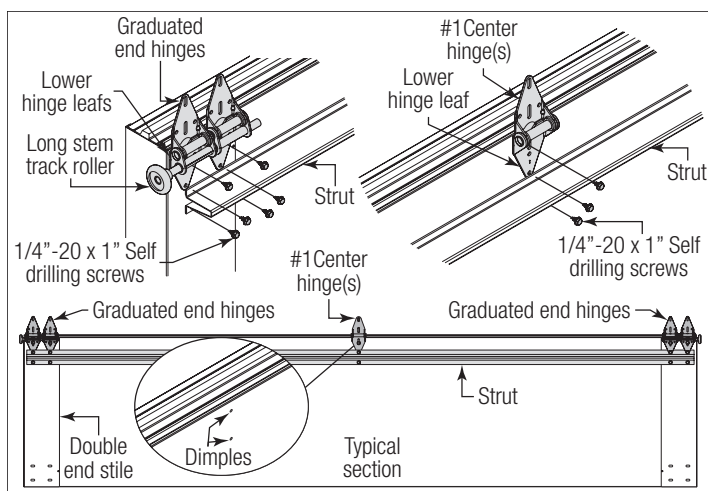


Figure 27

8h. Repeat graduated end hinge / center hinge attachment using the appropriate graduated end hinges for all remaining sections, except for the top section.

9 ATTACHING C CHANNEL

IMPORTANT: If you don't have C Channels, then skip this step. Refer to Package Contents / Breakdown of Parts, to determine if you have C Channels.

NOTE: Door widths from 32'3" to 40'2", one C Channel is required to be installed on each section.

NOTE: The short straps (factory formed) are used to secure the C Channel at the ends of the section. The long straps (flat) are used to secure the C Channel at each of the center hinge(s) located at the center of the section.

See Figure 28 and Figure 29 for the following steps.

9a. Center and position the C Channel at the center of the bottom section.

9b. Secure the ends of the C Channel to the section endcaps using 1/4" - 20 x 1" self-drilling screws at the slotted hole locations.

9c. Secure the C channel to the interior steel section using 1/4" - 14 x 5/8" self tapping screws at each slotted hole location.

9d. Position the appropriate strap over the top portion of the C Channel and secure the appropriate strap to the top surface of the C Channel using (2) 1/4" - 20 x 1" self drilling screws.

9e. Attach the top and bottom portion of the strap to the section surface using 1/4" - 20 x 1" self drilling screws.

9f. Repeat the same process for the other sections.

NOTE: Complete assembly once the sections are stacked.

NOTE: Trim any excess length from the long straps (flat) after installation is completed.

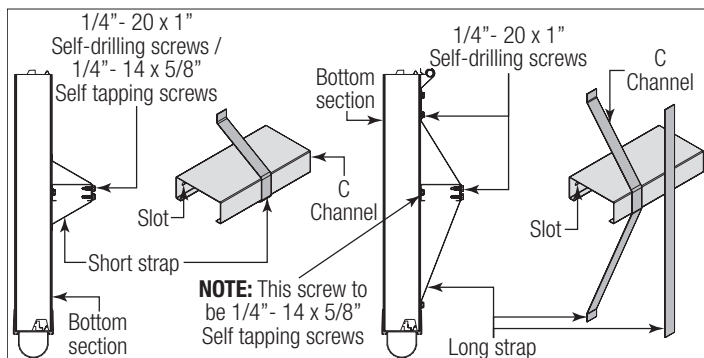


Figure 28

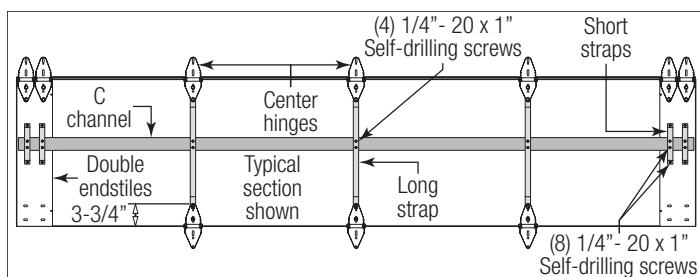


Figure 29

10 POSITIONING BOTTOM SECTION

See Figure 30 for the following steps.

NOTE: For wider size doors, more than two wooden shims (shown in illustration) might be needed to level the bottom section.

10a. Center the bottom section in the door opening.

10b. Use a level and wood shims (if necessary) to level the bottom section. When the bottom section is leveled, temporarily hold it in place by driving a nail into the jamb and bending it over the edge of the bottom section on both sides.

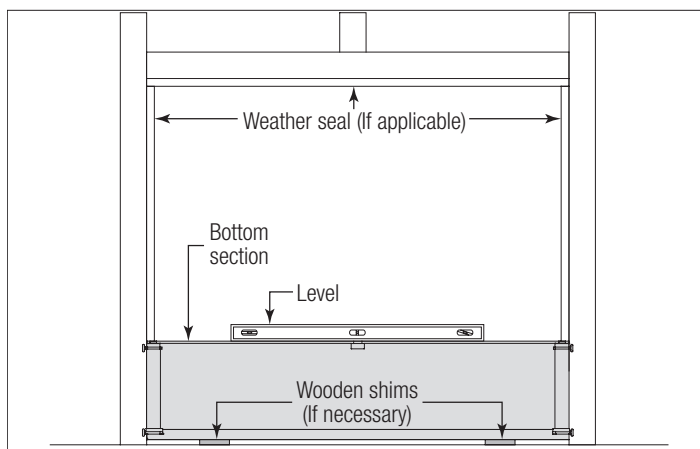


Figure 30

11 ATTACHING WALL ANGLE SEALS

NOTE: If you don't have wall angle seals, then skip this step. Refer to Package Contents and or illustrations below, to determine which wall angle seals you have received.

See Figure 31 for the following steps.

11a. Starting with the left hand wall angle, align the profile of the wall angle seal with the inside edge of wall angle.

11b. Slide wall angle seal over the inside edge of wall angle until seal is flush up against the edge of wall angle.

11c. Repeat the same process for the right hand side wall angle.

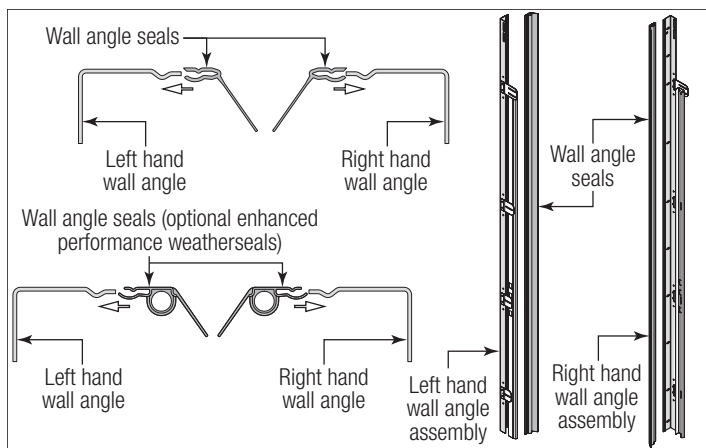


Figure 31

12d. Hang counterbalance lift cable over flag angle / angle mount. Repeat same process for other side.

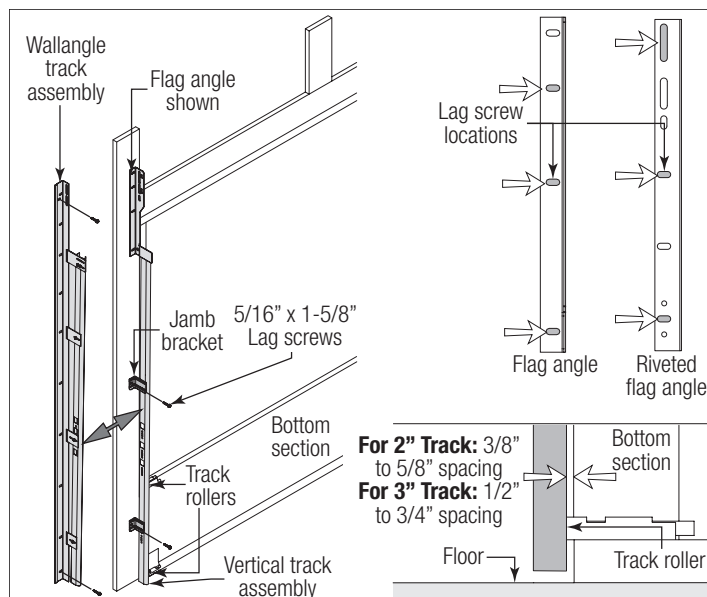


Figure 32

12 ATTACHING VERTICAL TRACKS TO JAMBS

IMPORTANT: Depending on your door, you may have Fully Adjustable Flag Angles, Riveted Vertical Track Assemblies or you may have Angle Mount Vertical Track Assemblies. Refer to Package Contents / Breakdown of Parts, to determine which Flag Angles / Vertical Track Assemblies you have.

IMPORTANT: If this door is to be installed prior to a finishing construction of the building's floor, the vertical tracks and the door bottom section assembly should be installed such that when the floor is constructed, no door or track parts are trapped in the floor construction.

IMPORTANT: If the bottom section was leveled with shims, the vertical track on the shimmed side must be raised the same height as the shim. Recheck the top of the vertical tracks to be level from side to side.

IMPORTANT: Make sure the counterbalance lift cable is located between the track rollers and the door jamb.

See Figure 32 and Figure 33 for the following steps.

12a. Starting on the left hand side of the bottom section, remove the nail. Position the left hand vertical track assembly over the track rollers of the bottom section and install, as shown. Drill $3/16"$ pilot holes into the door jamb for the lag screws.

Loosely fasten wall angles to one of the following scenarios listed below:

- Wood jambs, using $5/16" \times 1-5/8"$ lag screws. Drill $3/16"$ pilot holes into the wood jamb for the lag screws.
- Steel jambs, using $5/16" \times 1"$ self drilling screws.
- Pre-cast concrete, using $3/8" \times 3"$ sleeve anchor (not supplied).

NOTE: Products being installed to pre-cast or block must use a $3/8" \times 3"$ sleeve anchor to attach the wall angle to the building, as shown. Use the slots in the wall angle as a drill template and drill a $3/8"$ hole ($3-1/2"$ deep) and secure to anchor.

WARNING

DO NOT USE SLEEVE ANCHORS ON HOLLOW BLOCK.

For 2" Track:

12b. Tighten fasteners, securing the bottom jamb bracket in the vertical track assemblies / bottom slot in the wall angle to jamb, maintain $3/8"$ to $5/8"$ spacing, between the bottom section and vertical track.

For 3" Track:

12b. Tighten fasteners, securing the bottom jamb bracket in the vertical track assemblies / bottom slot in the wall angle to jamb, maintain $1/2"$ to $3/4"$ spacing, between the bottom section and vertical track.

12c. Allow proper clearance as shown and use the values as illustrated in the Side Room Requirements (Minimum Distance Required), located in the pre-installation section of this manual.

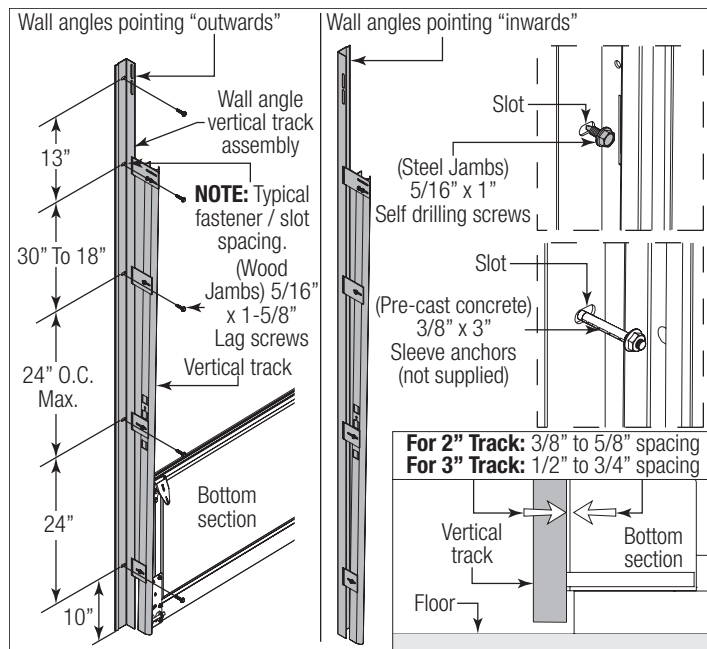


Figure 33

13 STACKING SECTIONS

NOTE: Refer to door "section identification, located in the pre-installation section of this manual.

NOTE: The sections can be identified by the installed graduated end hinges. The smallest graduated end hinge on section should be stacked on top of the bottom section, with each end hinge increasing as the sections are stacked, see Breakdown of Parts.

NOTICE

BEFORE STACKING SECTIONS, MAKE SURE GRADUATED END AND CENTER HINGES ARE FLIPPED DOWN TO AVOID POSSIBLE DAMAGE TO YOUR DOOR, WHEN STACKING ANOTHER SECTION ON TOP.

IMPORTANT: Push and hold the hinge leaf securely against the sections while securing with 1/4" - 20 x 1" self drilling screws. Ensure there is no gap between the hinge leaves and the sections.

IMPORTANT: Push & hold the upper hinge leaves securely against the sections while securing with 1/4" - 20 x 11/16" self-drilling screws. There should be no gap between the hinge leaves and the sections.

See Figure 34 and Figure 35 for the following steps.

13a. With a helper, lift second (Lock) section and guide the track rollers into the vertical tracks. Lower section until it is seated against bottom section.

13b. Flip hinges up. Fasten center hinge(s) first; then graduated end hinges last using 1/4" - 20 x 11/16" self-drilling screws.

NOTE: Prior to securing the center hinge(s) to the section and if your door has C channels, ensure the C channel straps for the center hinges are secured with the center hinges.

13c. Repeat same process for other sections, except top section.

NOTE: Now complete the C channel assembly once the sections are stacked by securing the bottom portion of the long straps (flat) with (1) 1/4" - 20 x 1" self drilling screw to the section surface.

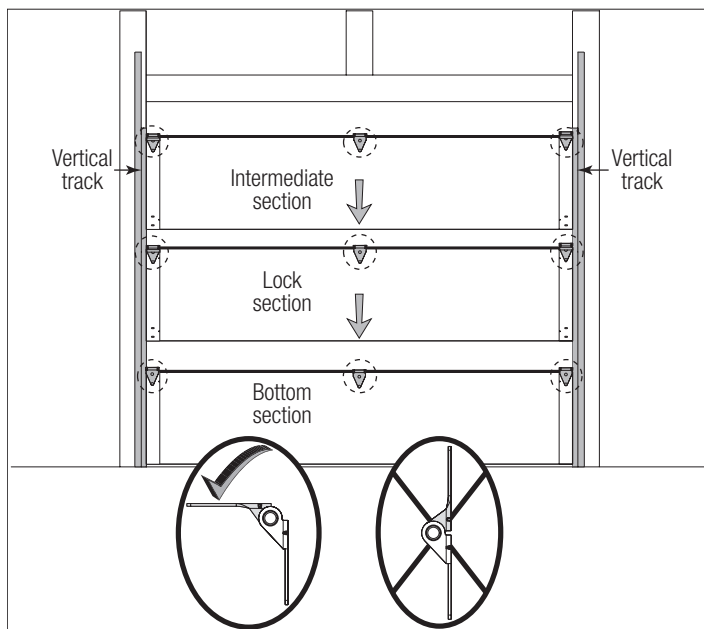


Figure 34

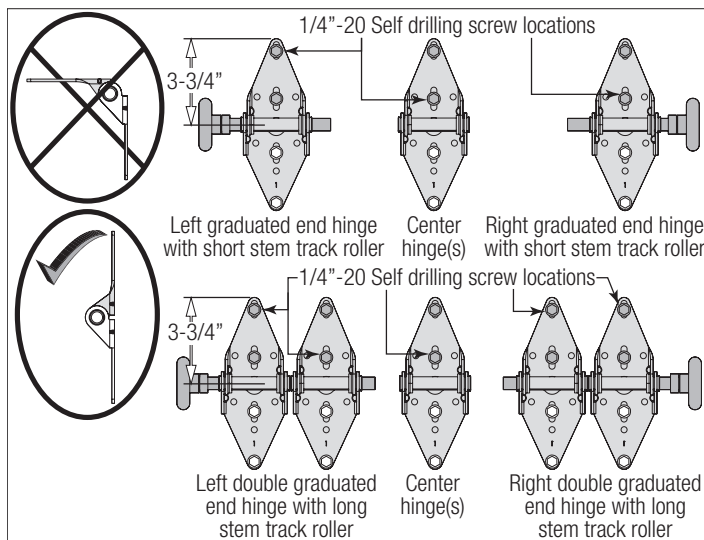


Figure 35

14 STACKING TOP SECTION

IMPORTANT: The dimension between the flag angles or angle mounts must be door width plus 3-3/8" - 3-1/2" (86 mm- 89 mm) for 2" Track Applications, door width plus 4-7/8" (124mm) to 5" (127 mm) for 3" Track Applications.

See Figure 36 for the following steps.

14a. Place the top section in the opening, on top of the section stacked.

14b. Install a nail to temporarily hold the top section.

14c. Flip up the hinge leaves, hold tight against section, and fasten center hinges first and end hinges last (see Stacking Sections).

14d. Position flag angle or angle mount between:

- For 2" Track Applications: 1-11/16" to 1-3/4" (43 mm - 44 mm)
- For 3" Track Applications: 2-3/16" (56 mm) to 2-1/4" (57 mm)

from the edge of the door, then tighten the bottom lag screw. Flag angles or angle mount must be parallel to the door sections. Repeat for other side.

14e. Complete the vertical track installation.

14f. Push the vertical track against the track rollers so that the track rollers are touching the deepest part of the curved side of the track; tighten all the track bolts and nuts.

14g. Repeat same process for other side.

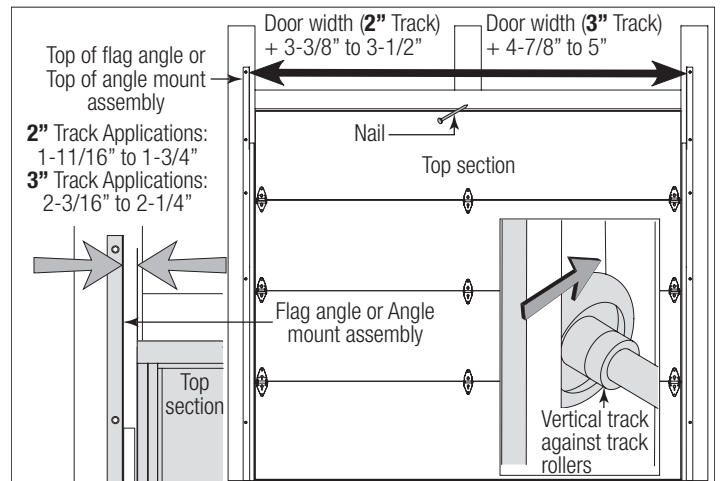


Figure 36

15 ATTACHING DRAWBAR OPERATOR BRACKET

IMPORTANT: If you don't have a drawbar operator bracket, then skip this step. Refer to Package Contents or Breakdown of Parts, to determine which drawbar operator bracket you have.

NOTICE

WHEN CONNECTING A DRAWBAR OPERATOR TYPE GARAGE DOOR OPENER TO THIS DOOR, A WAYNE DALTON DRAWBAR OPERATOR BRACKET MUST BE SECURELY ATTACHED TO THE TOP SECTION OF THE DOOR, ALONG WITH ANY STRUT PROVIDED WITH THE DOOR.

NOTE: For retro fit applications, the drawbar operator bracket must be aligned with an existing operator.

NOTE: Install the 5/16" - 18 x 1/2" carriage bolts and the 5/16" - 18 flange hex nuts as far apart as possible, prior to securing both top and bottom halves together.

IMPORTANT: When attaching drawbar operator brackets to top section with strut / C Channels, apply additional pressure to thread into the Strut / C Channels.

NOTE: Depending on your door width, it may be required that two drawbar operator brackets be mounted off center so the drawbar operator brackets each mount to the hinge points.

See Figure 37 and Figure 38 for the following steps.

15a. Place the bottom half inside the top half and flush against the inside surface of the top section. Adjust both the top and bottom halves out as far apart as possible on the section surface.

15b. Secure the drawbar operator bracket bottom half and the top half together using (4) 5/16" - 18 x 1/2" carriage bolts and (4) 5/16" - 18 flange hex nuts.

If You Have One Drawbar Operator Bracket:

15c. Now, locate the center of the top section and align the center of the holes in the drawbar operator bracket assembly with the top section center line. Align the drawbar operator bracket assembly vertically.

15d. Slide the top half of the drawbar operator bracket assembly under the strut (if applicable), keeping the drawbar operator bracket assembly aligned with the center line. Remove the strut's screws, if necessary and attach to the top section (through strut if necessary) using (3) 1/4" - 20 x 1" self drilling screws.

15e. Attach the bottom half of the drawbar operator bracket to the section surface using (3) 1/4" - 20 x 1" self drilling screws.

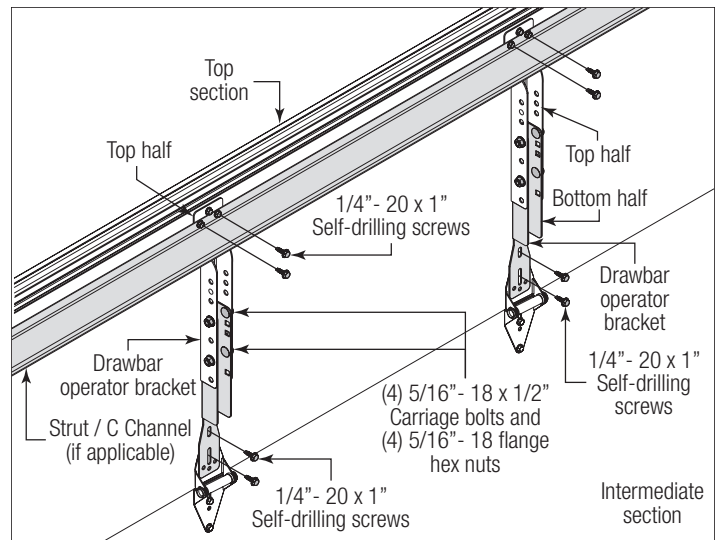


Figure 38

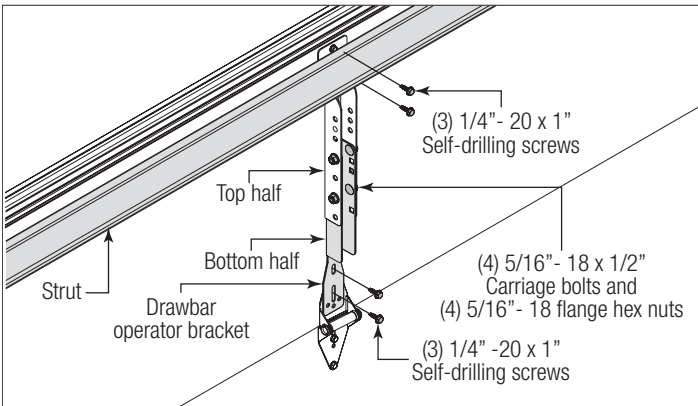


Figure 37

If You Have Two Drawbar Operator Brackets:

15c. Starting on either side, locate and vertically position the drawbar operator bracket off center of the top section center line.

15d. Align the drawbar operator bracket assembly vertically. If necessary, remove the Strut / C Channels screws and slide the upper half of the drawbar operator bracket under it, keeping the drawbar operator bracket vertically aligned.

15e. Attach the upper half of the drawbar operator bracket to the top section using 1/4" - 20 x 1" self drilling screws.

15f. Attach the lower half of the drawbar operator bracket to the section surface using 1/4" - 20 x 1" self drilling screws.

15g. Repeat the same process for the other side.

16 ATTACHING HORIZONTAL TRACKS

NOTE: Depending on your door, you may have Fully Adjustable Flag Angles, Riveted Vertical Track Assemblies or you may have Angle Mount Vertical Track Assemblies. Refer to Package Contents / Breakdown of Parts, to determine which Flag Angles / Vertical Track Assemblies you have.

WARNING

DO NOT RAISE DOOR UNTIL HORIZONTAL TRACKS ARE SECURED AT REAR, AS OUTLINED IN STEP 26, ATTACHING REAR BACK HANGS. THE REAR BACK HANGS OR DOOR COULD FALL FROM OVERHEAD POSITION CAUSING DEATH OR SERIOUS INJURY.

See Figure 39 for the following steps.

IMPORTANT: Prior to installing the horizontal tracks, use cables or chains to temporarily suspend the rear portion of horizontal tracks.

WARNING

DO NOT USE ROPES, SINCE EDGES OF HORIZONTAL TRACKS AND ANGLES ARE VERY SHARP.

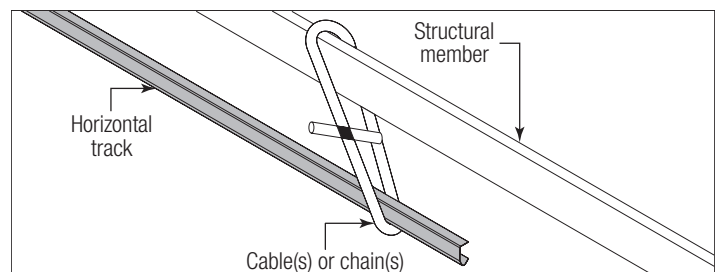


Figure 39, Left Side Shown

If You Have Flag Angles:

See Figure 40 and Figure 42 for the following steps.

16a. Place the curved end of the horizontal track over the top track roller of the top section.

16b. Attach the horizontal track to the flag angle with two 1/4" - 20 x 9/16" track bolts and two 1/4" - 20 flange hex nuts.

16c. Level the horizontal track assembly and bolt the horizontal track angle to the first encountered slot in the flag angle using one 3/8" - 16 x 3/4" truss-head bolt and one 3/8" - 16 hex nut. Repeat for right side.

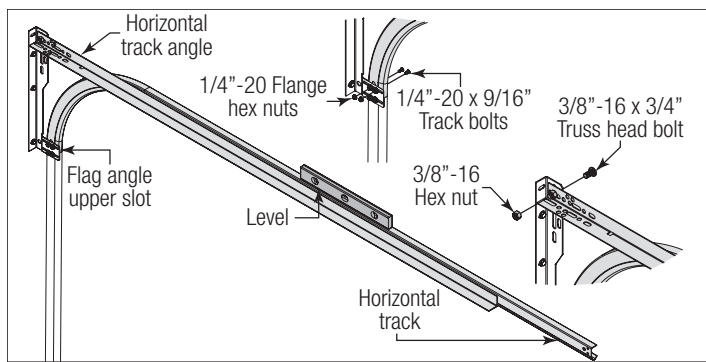


Figure 40, Left Side Shown

If You Have Angle Mount:

See Figure 41 and Figure 42 for the following steps.

16a. Place the curved end of the horizontal track over the top track roller of the top section.

16b. Attach the horizontal track to the angle mount with two 1/4" - 20 x 9/16" track bolts and two 1/4" - 20 flange hex nuts.

16c. Level the horizontal track assembly and bolt the horizontal track angle to the first encountered slot in the angle mount using one 3/8" - 16 x 3/4" truss-head bolt and one 3/8" - 16 hex nut. Repeat for right side.

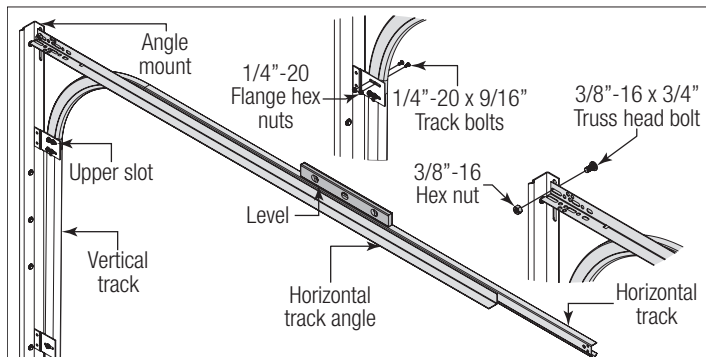


Figure 41, Left Side Shown

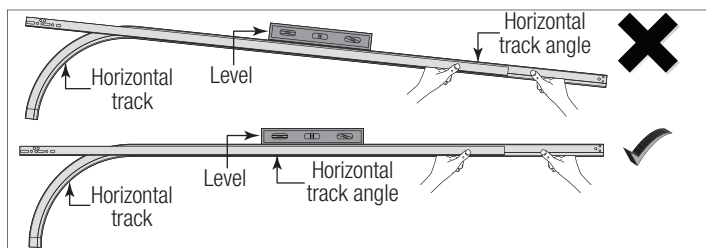


Figure 42

16d. When complete, remove the nail that was holding the top section in position.

NOTICE

FAILURE TO REMOVE NAIL BEFORE ATTEMPTING TO RAISE DOOR COULD CAUSE PERMANENT DAMAGE TO TOP SECTION.

17 ADJUSTING TOP FIXTURES

See Figure 43 for the following steps.

17a. Vertically align the top section of the door with the lower sections. Position the top fixture slide with a track roller against the horizontal track.

17b. Maintaining the position of the slide, tighten the 5/16" - 18 nut(s) to secure the top fixture slide to the top fixture base.

17c. Repeat for the right side.

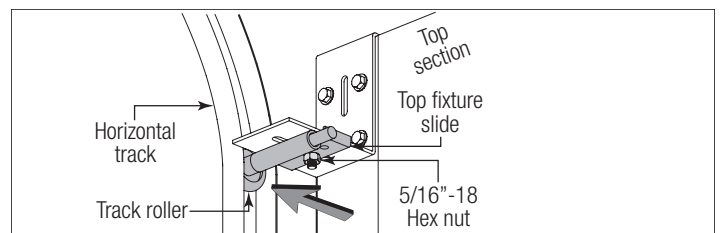


Figure 43, Left Side Shown

COUNTERBALANCE INSTALLATION INSTRUCTIONS

18 ATTACHING END BEARING BRACKETS

NOTE: Refer to Package Contents or Breakdown Of Parts, to determine which type of end bearing bracket you received.

IMPORTANT: Measure the radius of your horizontal track to determine if your horizontal track is 12" or 15" Radius. The end bearing bracket's lower slots are used on doors with 12" radius track, the upper slots are used on doors with 15" radius track.

IMPORTANT: Drill 3/16" pilot holes into the door jamb for the lag screws.

NOTE: End bearing brackets are right and left hand.

WARNING

INSTALL END BEARING BRACKETS TO SOLID STRUCTURAL MEMBERS ONLY. DO NOT INSTALL OVER DRY WALL OR PANELING. FAILURE TO INSTALL END BEARING BRACKETS TO SOLID STRUCTURAL MEMBERS CAN RESULT IN DEATH OR SERIOUS INJURY.

WARNING

FAILURE TO USE PROPER NUMBER OF FASTENERS CAN RESULT IN SUDDEN SPRING TENSION RELEASE, CAUSING DEATH OR SERIOUS INJURY.

NOTE: Spring pads must be securely anchored before proceeding, as shown. The pads must be flush with the jambs.

See Figure 44 through Figure 49 for the following steps.

18a. Attach the left hand end bearing bracket through either the end bearing bracket's upper or lower slots to the left hand horizontal track angle using (2) 3/8" - 16 x 3/4" truss head bolts and (2) 3/8" - 16 nuts.

18b. Secure the end bearing bracket to the jamb using one of the following scenarios listed below:

- Wood jambs, using 5/16" x 1-5/8" lag screw(s). Drill 3/16" pilot holes into the wood jamb for the lag screws.
- Steel jambs, using 5/16" x 1" self drilling screws.
- Pre-cast concrete, using 3/8" x 3" sleeve anchor(s) (not supplied).

NOTE: Products being installed to pre-cast or block must use a 3/8" x 3" sleeve anchor to attach the end bearing brackets to the building, as shown. Use the slots in the end bearing bracket as a drill template and drill a 3/8" hole (3-1/2" deep) and secure to anchor.

WARNING

DO NOT USE SLEEVE ANCHORS ON HOLLOW BLOCK.

18c. Repeat the same process for the right hand side.

This illustration shows 12" or 15" radius track with lag screws to Wood Jambs.

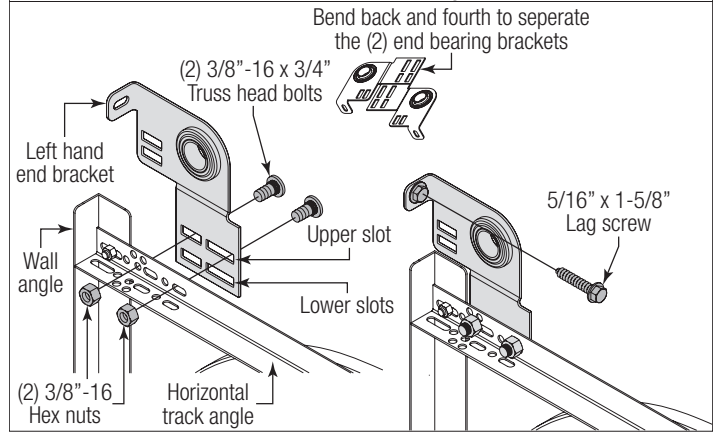


Figure 44, Left Side Shown

This illustration shows 15" radius track with lag screws to Wood Jambs.

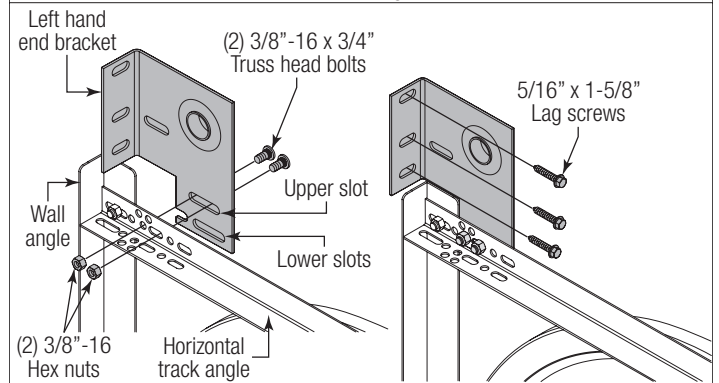


Figure 45, Left Side Shown

This illustration shows 12" or 15" radius track with self drilling screws to Steel.

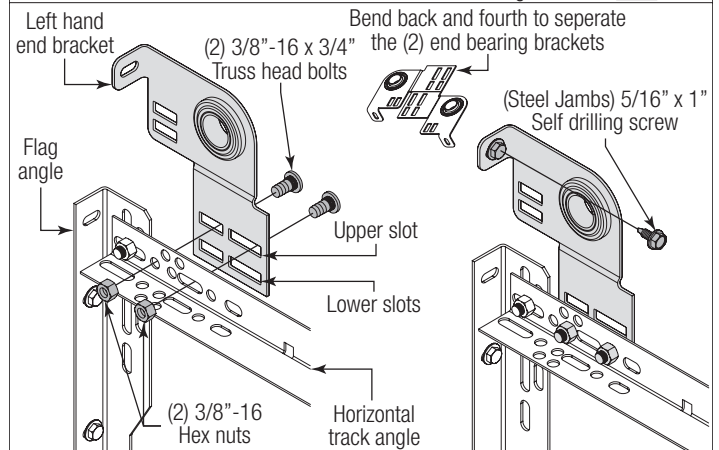


Figure 46, Left Side Shown

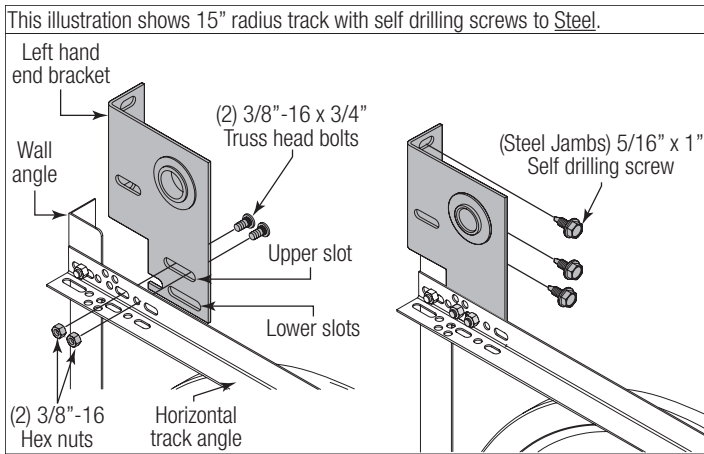


Figure 47, Left Side Shown

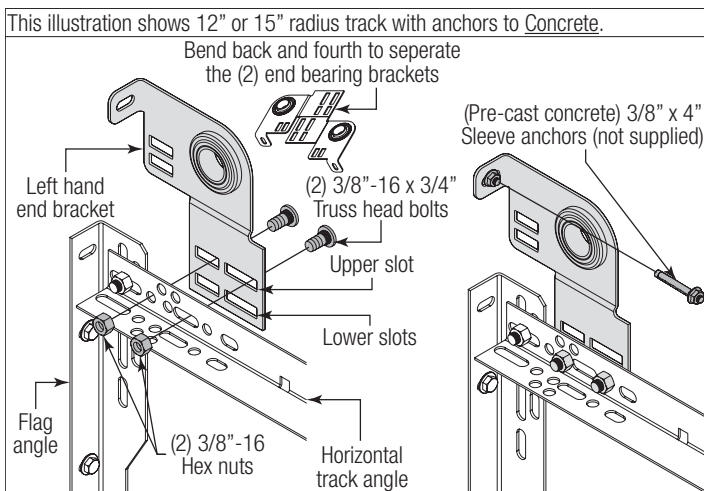


Figure 48, Left Side Shown

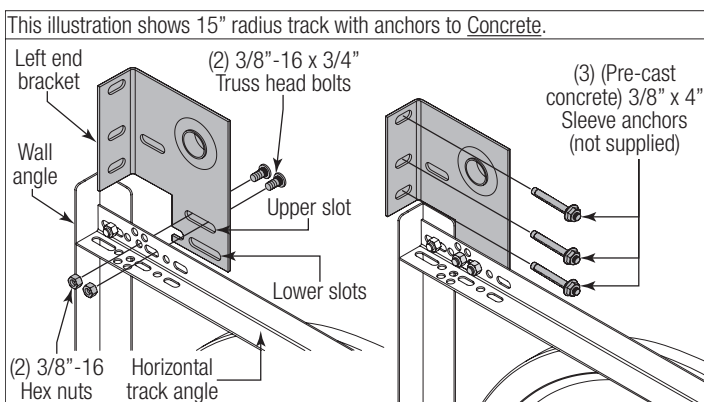


Figure 49, Left Side Shown

NOTE: Refer to Package Contents / Breakdown of Parts, to determine if your door came with a coupler assembly. If your door came with a coupler assembly, the mounting surface needs to be a minimum of 17" wide. The two center bearing brackets will need to be spaced 12" to 14" apart at the center of the door, as shown.

NOTE: When attaching the center bracket(s) to the spring pads, it has to be at the same elevation as the bearing in the end bearing brackets.

NOTE: Additional center brackets may be required for doors with coupler assembly. Refer to Package Contents / Breakdown of Parts, to determine if you have a coupler assembly.

NOTE: If your door came with (4) springs or more springs, each of the outer springs mounting surface will need to be a minimum of 3" wide.

NOTE: If needed, measure the diameter of your springs. If you have a one piece shaft with 3-3/4" diameter springs, they do not share center brackets and do not have a coupler assembly.

See Figure 50 through Figure 56 for the following steps.

19a. First, locate the center of the door.

19b. Mark a vertical pencil line on the mounting surface above the door, at the center.

19c. Measure from the center of the bearing, in one of the end bearing brackets, downwards, to the top of door.

19d. Using that measurement, measure that distance upwards from the top of the door to the mounting surface and mark a horizontal pencil line which intersects the vertical pencil line.

NOTE: On some single spring doors, the spring can be longer than half the opening width. If your spring is longer, then the center bracket must be mounted off center for the spring to fit properly. Measure spring length adding room for spring growth during winding, to determine appropriate center bracket location.

19e. Depending on the construction, different fasteners must be used.

19f. Align the edge of the center bracket with the vertical pencil line and the center of the center bracket with the horizontal pencil line; this is to ensure the torsion shaft is level between the center and end bearing brackets.

19g. Secure the center bracket to the mounting surface using one of the following scenarios listed below:

- Wood jambs, using 5/16" x 1-5/8" lag screws. Drill 3/16" pilot holes into the wood jamb for the lag screws.
- Steel jambs, using 5/16" x 1" self drilling and tapping screws.
- Pre-cast concrete, using 3/8" x 3" sleeve anchor (not supplied). This installation will require the 1/2" anchors to be secured to the building and then secure the brackets to the anchors, as shown.

NOTE: Pre-Drill 1/2" pilot holes into the pre-cast for the 1/2" x 3" sleeve anchors.

- Block construction: Attach perforated angle 18" long to center bracket(s) using (2) 3/8" x 1-1/4" bolts and (2) 3/8" nuts. Chamfer angle to clear top section high arc. Secure center bracket(s) and perforated angle to block using (4) 3/8" x 2-1/2" sleeve anchors, as shown.

! WARNING

DO NOT USE SLEEVE ANCHORS ON HOLLOW BLOCK.

19 ATTACHING CENTER BRACKET TO WALL

NOTE: Refer to Package Contents / Breakdown of Parts, to determine which Center Bracket(s) came with your door.

! WARNING

MAKE SURE THE CENTER BRACKET IS SECURELY INSTALLED ONTO THE HEADER. FAILURE TO DO SO, COULD RESULT IN DEATH OR SERIOUS INJURY.

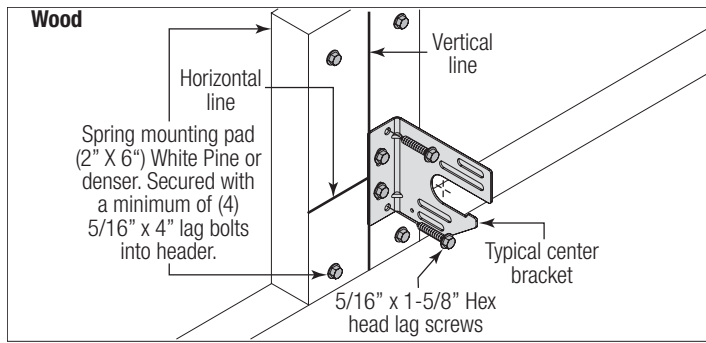


Figure 50

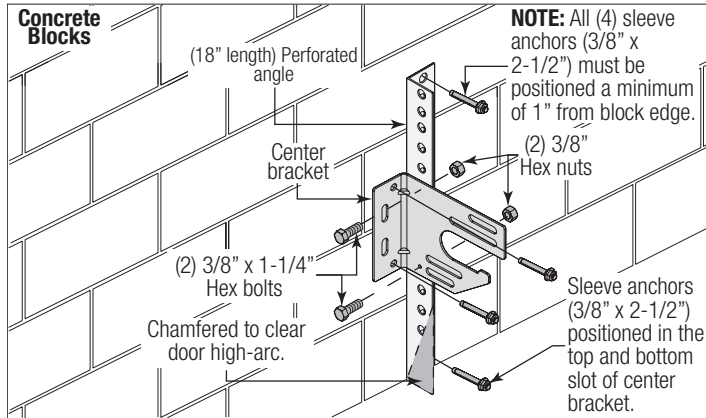


Figure 51

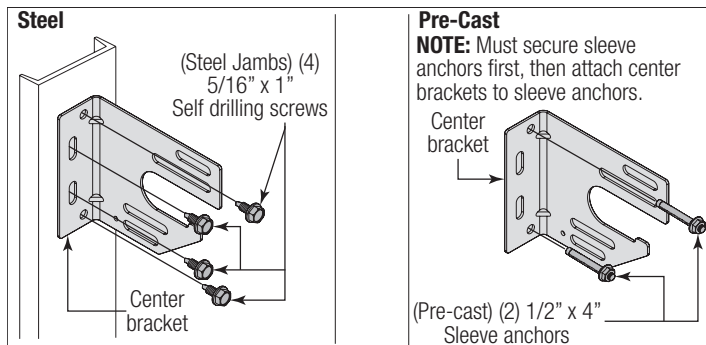


Figure 52

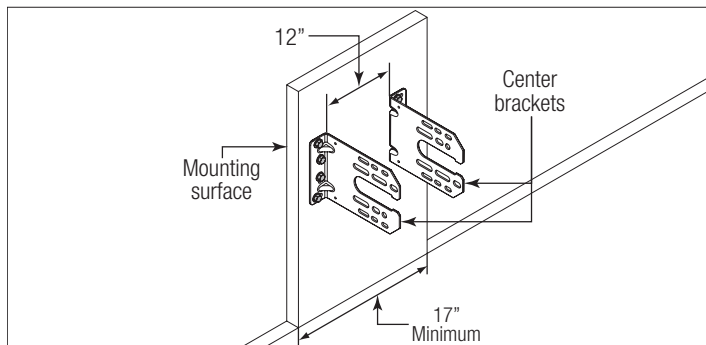


Figure 53

For Alternate Steel Spring Pad Applications:

IMPORTANT: DO NOT Bolt two 3-3/4" or larger diameter springs to ONE center bracket.

! WARNING

MAXIMUM SPACING FOR DIMENSION "Y" IS 84" (7 FT.) THESE INSTRUCTIONS ARE NOT APPLICABLE FOR A SPAN GREATER THAN 84".

Maximum Door Size 9'0" x 9'0" (Maximum Door Weight 210 lb.)

Cut perforated angle (1-5/8" x 2-3/8" x 11 GA.) to Dim "Y". Thru-bolt top and bottom of angle to each girt using (4) 3/8" x 1-1/4" bolts and (4) 3/8" nuts. Thru-bolt center bracket to perforated angle using (3) 3/8" x 1-1/4" bolts and (3) 3/8" nuts, as shown.

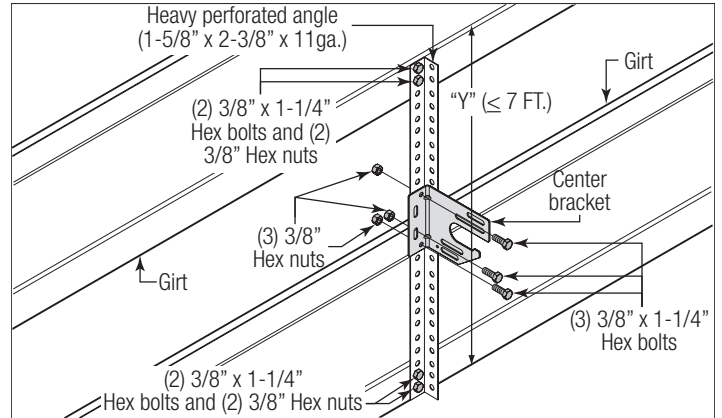


Figure 54

Maximum Door Size 14'0" x 12'0" (Maximum Door Weight 400 lb.)

Cut (2) perforated angle (1-5/8" x 2-3/8" x 11 GA.) to Dim "Y". Thru-bolt top and bottom of each angle to each girt using (4) 3/8" x 1-1/4" bolts and (4) 3/8" nuts. Thru-bolt each center bracket to perforated angle using (3) 3/8" x 1-1/4" bolts and (3) 3/8" nuts, as shown.

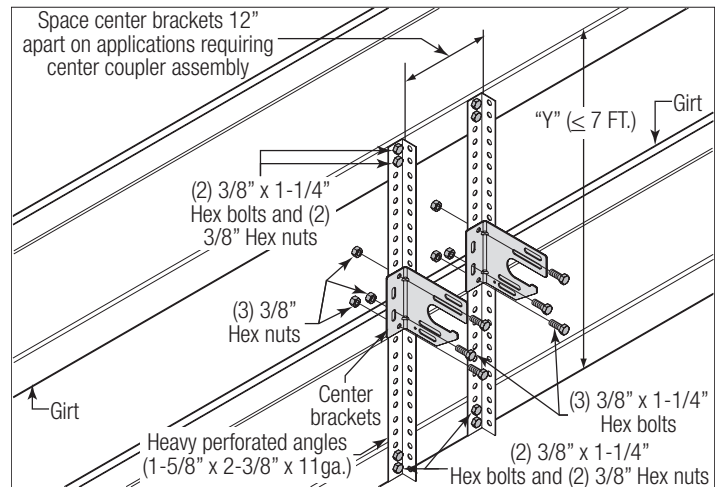


Figure 55

Maximum Door Size 14'-2" x 12'-1" (Maximum Door Weight 800 lb.)

Cut (2) pieces of perforated angle (1-5/8" x 2-3/8" x 11 GA.) to Dim "Y" and (2) more pieces at Dim "Y" minus 3". Bolt the angles together into a "Z" shape using (4) 3/8" x 1-1/4" bolts and (4) 3/8" nuts. Thru-bolt top and bottom of each "Z" shaped angle to each girt using (4) 3/8" x 1-1/4" bolts and (4) 3/8" nuts. Thru-bolt each center bracket to perforated angle assembly using (3) 3/8" x 1-1/4" bolts and (3) 3/8" nuts, as shown.

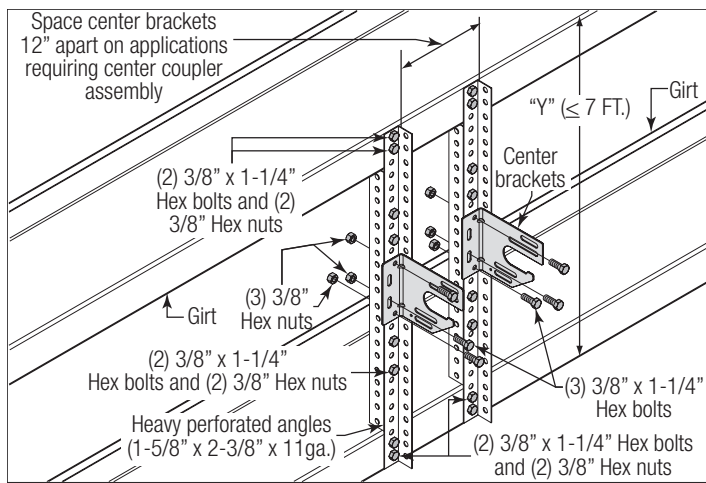


Figure 56

NOTE: Tighten the set screws to 14-15 ft-lbs (Once set screws contact the shaft, tighten screws an additional 1/2 turn).

20h. Repeat the same processes for the other coupler half.

IMPORTANT: The coupler halves, center bearing(s), torsion springs, oval bearing (if required), and cable drums must be positioned, as shown in the illustrations.

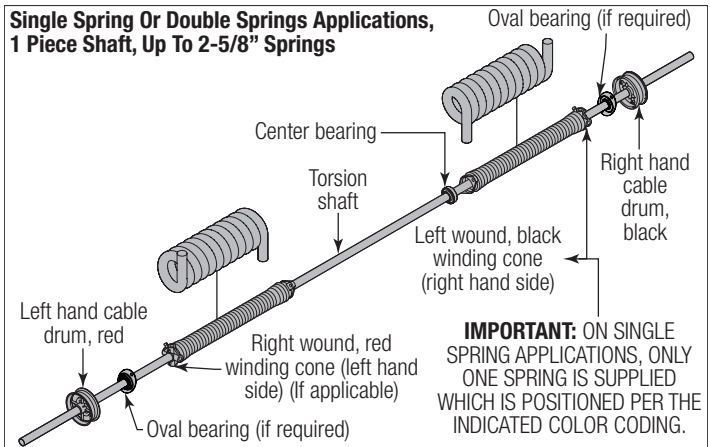


Figure 57

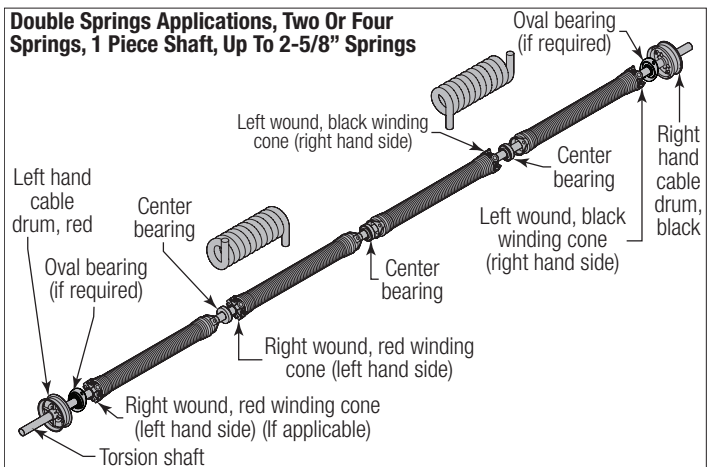


Figure 58

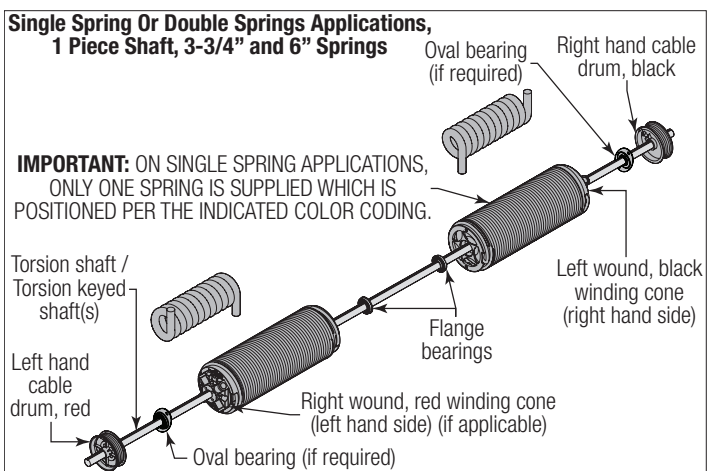


Figure 59

20 TORSION SPRING ASSEMBLY

NOTE: Refer to the Package Contents and or Breakdown of Parts to determine if your door came with a coupler assembly.

IMPORTANT: Right and left hand is always determined from inside the building looking out.

NOTE: Torsion spring assemblies can be of several configurations depending on your door size and door weight.

NOTE: Identify the torsion springs provided as either right hand wound (red winding cone), which goes on the LEFT HAND SIDE or left hand wound (black winding cone), which goes on the RIGHT HAND SIDE.

IMPORTANT: On single spring applications, only a left wound (black winding cone), is required.

NOTE: The set screws used on all winding cones and cable drums are colored red. DO NOT identify right and left hand by the set screw color.

See Figure 57 through Figure 62 for the following steps.

20a. Facing the inside of the door and referencing the illustrations shown, lay the torsion shaft / torsion keyed shaft(s) on the floor.

NOTE: If your door came with (2) torsion keyed shafts, one torsion keyed shaft should be on the left hand side of the floor and the other torsion keyed shaft should be on the right hand side of the floor.

NOTE: If your door was supplied with extra shaft support brackets with oval bearings, install the oval bearings in this step as shown.

20b. Lay the torsion spring(s) with the black winding cone, oval bearing (if required) and the black cable drum at the right end of the torsion shaft / torsion keyed shaft(s).

20c. Lay the torsion spring(s) with the red winding cone, oval bearing (if required) and the red cable drum at the left end of the torsion shaft / torsion keyed shaft(s).

NOTE: The set screws used on all torsion winding cones and cable drums are colored red. DO NOT identify right and left hand by the set screw color.

If You Do Have A Coupler Assembly:

20d. Disassemble the coupler assembly by removing the (3) 3/8" - 16 x 1-3/4" hex head screws and the (3) 3/8" - 16 nylon hex lock nuts from the coupler halves.

20e. Loosen the set screws. Slide the flat edge of the coupler half flush with the side edge of the torsion keyed shaft.

20f. Insert (1) key into the slot of both the coupler halves and the slot in the torsion keyed shaft.

20g. Tighten the (2) set screws and the locking nut to secure the coupler half to the torsion keyed shaft, as shown.

Double Springs Applications, 2 Piece Shafts, Two or 4 springs, up to 6" Springs.

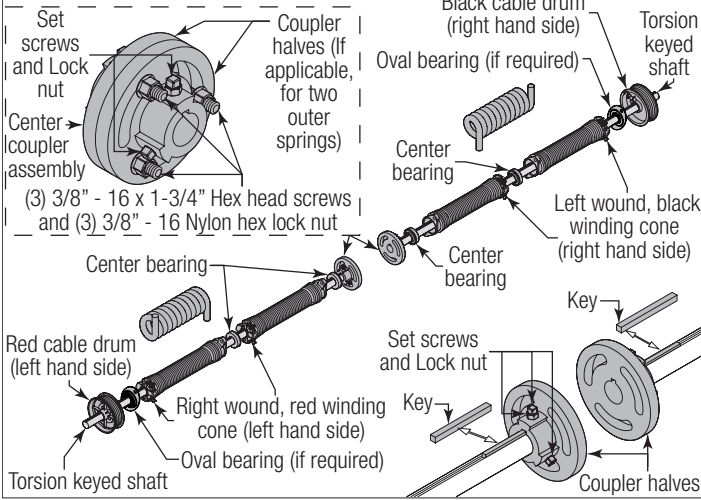


Figure 60

If You Don't Have A Coupler Assembly:

- 20d. With assistance, pick up the torsion spring assembly and slide one end of the torsion shaft / torsion keyed shaft through one end bearing bracket.
- 20e. Lay the middle of the torsion shaft / torsion keyed shaft into the center bracket.
- 20f. Slide the other end of the torsion shaft / torsion keyed shaft into the other end bearing bracket.
- 20g. Position the torsion shaft / torsion keyed shaft so that equal amounts of the shaft extend from each of the end bearing brackets.

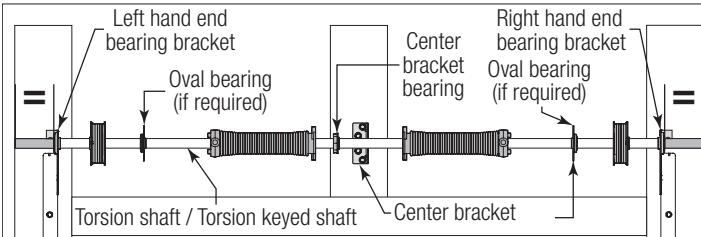


Figure 61

If Your Door Has A Coupler Assembly:

- 20d. With assistance and starting on the left hand side of door, pick up the left hand torsion spring assembly and slide one end of the torsion keyed shaft through the end bearing bracket.
- 20e. Lay the other side of the torsion keyed shaft into the center bracket.
- 20f. Repeat the same process for the right hand torsion spring assembly.
- 20g. Position both torsion keyed shafts so that equal amounts of the shafts extend from each of the end bearing brackets.

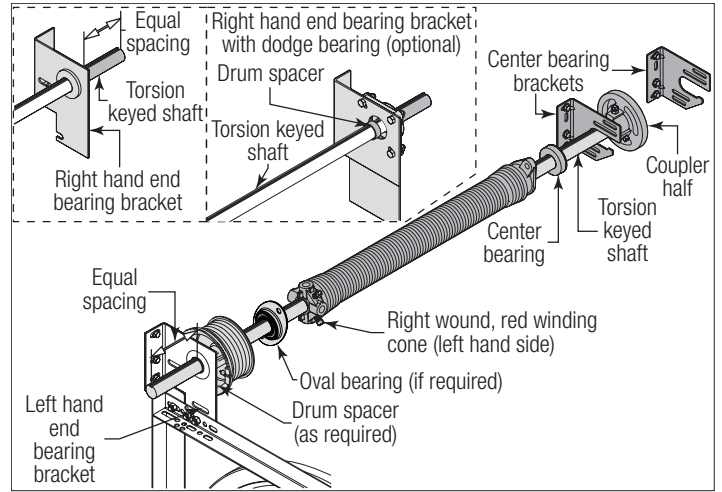


Figure 62, Left Side Shown

21 ATTACHING SPRINGS TO CENTER BRACKET

NOTE: Refer to Package Contents / Breakdown of Parts, to determine which Center Bracket(s) came with your door.

NOTE: Refer to Package Contents / Breakdown of Parts, to determine if your door came with a coupler assembly.

IMPORTANT: The spring warning tag(s) supplied must be securely attached to the stationary spring cone(s) in plain view. Should a replacement spring warning tag be required, contact Wayne Dalton for free replacements.

NOTE: Measure the diameter of your springs. If your spring diameter is 3-3/4", the springs do not share center brackets. If your spring diameter is either 2" or 2-5/8", then two springs will share the same center bracket, unless a coupler assembly is provided.

See Figure 63 through Figure 65 for the following steps.

If You Don't Have A Coupler Assembly:

- 21a. Slide center bracket bearing into the spring.
- 21b. Align the stationary spring cone(s) with the holes in the center bracket.
- 21c. Secure the torsion spring(s) to the center bracket with (2) 3/8" - 16 x 1-1/2" hex head bolts and (2) 3/8" - 16 nuts.

IMPORTANT: Never use more than one bearing when attaching two springs to one center bracket.

If You Have A Coupler Assembly:

- 21a. Slide center bracket bearing into the spring.
- 21b. Align the stationary spring cone with the holes in the center bracket.
- 21c. Secure the torsion spring to the center bracket with (2) 3/8" - 16 x 1-1/2" hex head bolts and (2) 3/8" - 16 nuts.
- 21d. Repeat the same process for the other center bearing bracket.
- 21e. At the middle of the two center bearing brackets, re-assemble the coupler assembly by loosely fastening the coupler halves together using the (3) 3/8" - 16 x 1-1/2" hex head screws, (6) 3/8" washers, (3) 3/8" lock washers and the (3) 3/8" - 16 hex nuts, previously removed.

NOTE: Ensure both torsion keyed shafts have equal amounts of the shafts extending from each end bearing bracket.

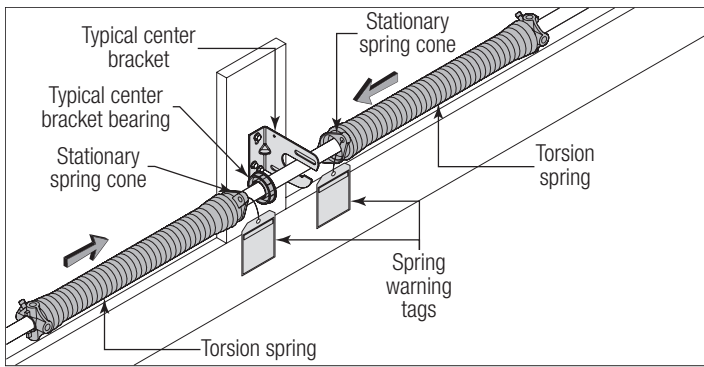


Figure 63

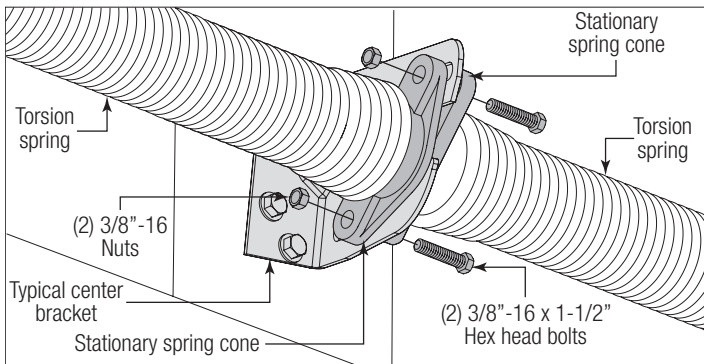


Figure 64

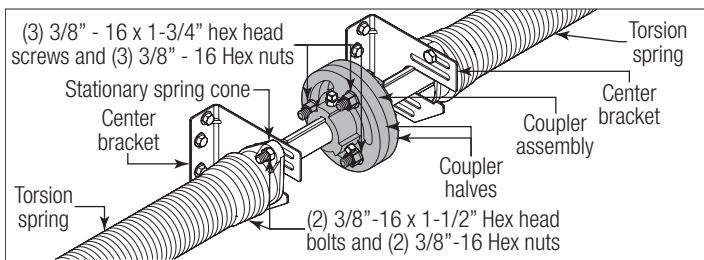


Figure 65

See Figure 66 through Figure 71 for the following steps.

For Springs Up To 3-3/4" ID And If You Don't Have A Coupler Assembly:

- 21a. Slide center bearing into the spring (if applicable).
- 21b. Align the stationary spring cone(s) with the holes in the center bracket assembly.
- 21c. Secure the torsion spring(s) to the center bracket assembly with (2) 3/8" - 16 x 1-1/2" hex head bolts and (2) 3/8" - 16 nuts.

If You Have A Coupler Assembly:

- 21d. Slide the center bearing into the spring.
- 21e. Align the stationary spring cone with the holes in the center bearing bracket.

NOTE: Prior to attaching the torsion spring(s) to the center bracket(s), the torsion shaft / torsion keyed shafts have to be at the same elevation as the bearing in the end bearing brackets. Slide the torsion shaft / torsion keyed shafts out to the correct shaft centerline from the jambs before tightening the spring assembly fasteners.

For Springs Up To 3-3/4" ID:

- 21f. Secure the torsion spring to the center bracket with (2) 3/8" - 16 x 1-1/2" hex head bolts and (2) 3/8" - 16 nuts. Repeat the same process for the other center bearing bracket.

For 6" And Duplex Springs:

- 21f. Secure the torsion spring and the flange bearing to the center bracket using (2) 3/8" - 16 x 1" Hex head bolts.

! WARNING

FOR DUPLEX SPRINGS, YOU MUST ENSURE THE ASSEMBLY BOLTS GO THROUGH THE CENTER BRACKET AND INNER SPRING CONE AND THREAD INTO THE OUTER SPRING CONE, AS SHOWN. FAILURE TO ENSURE THE BOLTS ARE SECURING BOTH THE INNER AND OUTER SPRING CONES TO THE CENTER BRACKET CAN RESULT IN SUDDEN SPRING TENSION RELEASE, CAUSING SEVERE OR FATAL INJURY.

21g. Loosely re-assemble the coupler assembly by fastening the coupler halves together using the (3) 3/8" - 16 x 1-3/4" hex head screws and the (3) 3/8" - 16 nylon hex lock nuts.

NOTE: Ensure both torsion keyed shafts have equal amounts of the shafts extending from each end bearing brackets.

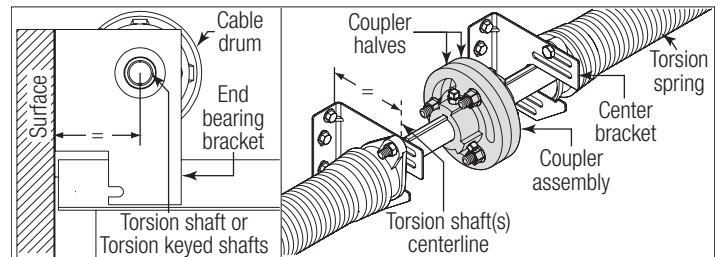


Figure 66

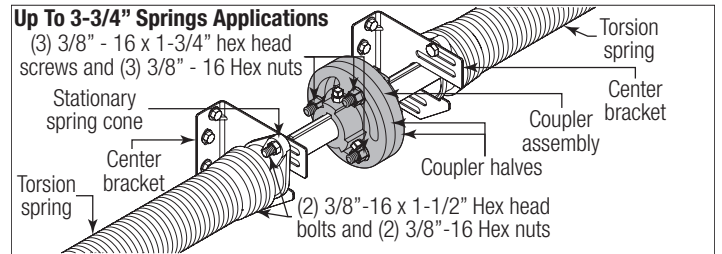


Figure 67

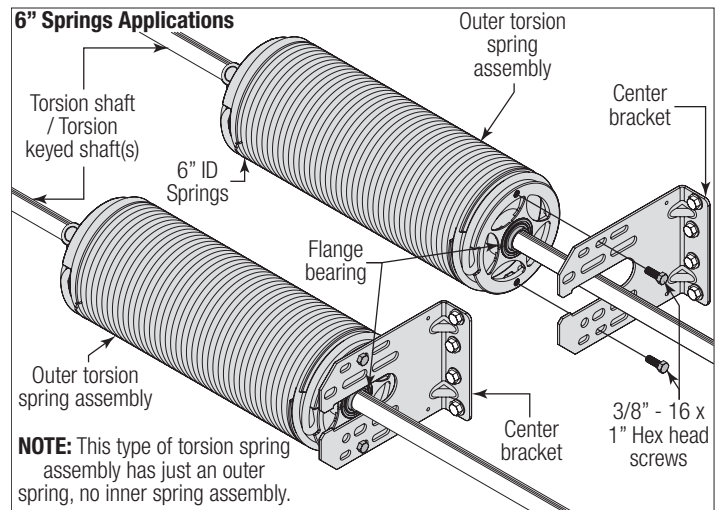


Figure 68

NOTE: This type of torsion spring assembly has just an outer spring, no inner spring assembly.

6" Duplex Springs Applications

NOTE: Prior to securing the center bracket to the torsion spring, ensure The bolt goes through the inner spring cone and threads into the outer spring cone.

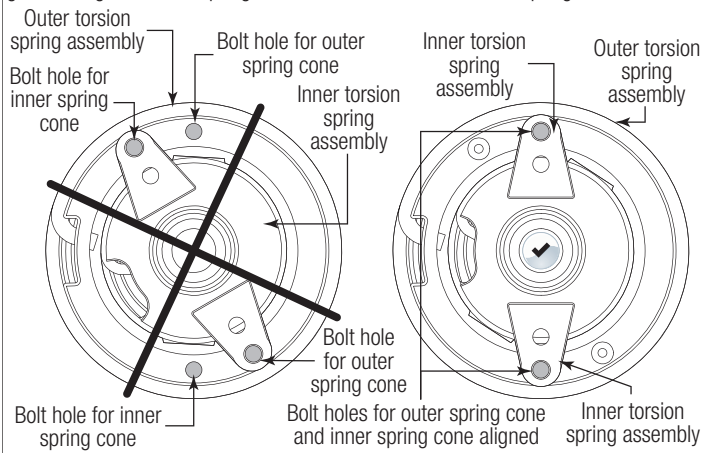


Figure 69

6" Duplex Springs Applications

NOTE: This type of torsion spring assembly has both an outer spring and an inner spring assembly.

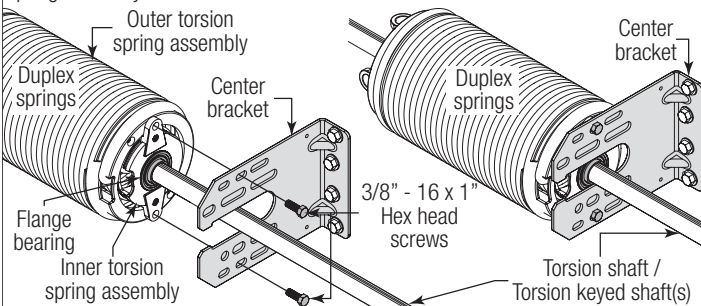


Figure 70

If Your Door Was Supplied With Extra Shaft Support Brackets And Oval Bearings:

21h. Starting on the left hand side, position the center bracket within 6" of where the spring winding cone will be after turns are applied - add 1 coil of length for each turn. Reference Step Attaching Center Bracket to Wall to install the center bracket.

21i. Slide the oval bearing up against the center bracket.

21j. Secure the oval bearing to the center bracket with two 3/8" - 16 x 3/4" hex head bolts, two 3/8" flat washer and two 3/8" - 16 flanged hex nuts.

21k. Repeat the same process for the right hand side.

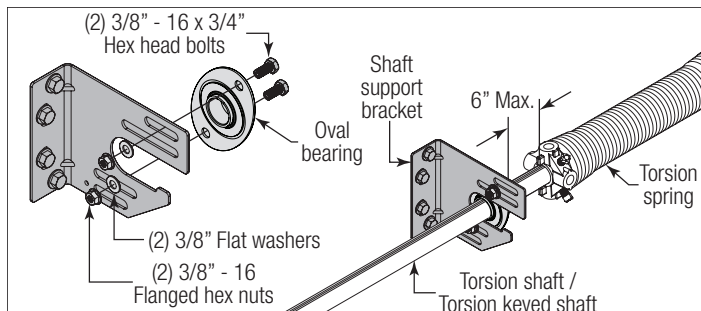


Figure 71

IMPORTANT: Verify that there are no obstructions in the travel path of the door sections or counterbalance lift cables.

NOTE: Always assemble the left hand cable and cable drum first to help maintain equal cable tension on both sides of the door.

NOTICE

FAILURE TO REMOVE ALL SLACK OUT OF THE COUNTERBALANCE LIFT CABLES, WILL CAUSE DOOR OPERATIONAL PROBLEMS.

22b. Hook the counterbalance lift cable into the left hand cable drum. Slide the left hand cable drum up against the left hand end bearing bracket / spacer. Counterbalance lift cable should terminate at the 3 o'clock position.

WARNING

TO AVOID RISK OF COUNTERBALANCE FAILURE CAUSING DEATH OR SERIOUS INJURY, THE COUNTERBALANCE LIFT CABLE MUST TERMINATE BETWEEN THE 3 O'CLOCK AND 6 O'CLOCK POSITION. IF THE COUNTERBALANCE CABLE DOES NOT TERMINATE IN THE CORRECT POSITION, THE CABLE LENGTH MUST BE CORRECTED BY A TRAINED DOOR SYSTEMS TECHNICIAN BEFORE CONTINUING INSTALLATION.

NOTE: If you have torsion keyed shaft(s), insert (1) key into the slot of both the cable drum and the slot in the torsion keyed shaft, as shown.

22c. At the middle of the two center bearing brackets, loosen the (3) 3/8" - 16 x 1-3/4" hex head screws and the (3) 3/8" - 16 nylon hex lock nuts from the coupler assembly (if applicable).

22d. Rotate the left hand drum and torsion shaft until counterbalance lift cable is taut. Now attach locking pliers to the torsion shaft and brace locking pliers up against jamb to keep counterbalance lift cable taut. Tighten the set screws in the drum to 14-15 ft-lbs (Once set screws contact the shaft, tighten screws an additional 1/2 turn for solid shaft and 1 full turn for tubular shaft). Repeat for right hand side.

22e. At the middle of the two center bearing brackets, tighten the (3) 3/8" - 16 x 1-3/4" hex head screws and the (3) 3/8" - 16 nylon hex lock nuts from the coupler assembly (if applicable).

IMPORTANT: Inspect each counterbalance lift cable making sure it is seated properly onto the cable drum and that both counterbalance lift cables have equal tension.

22f. Check Counterbalance Lift Cables for Equal Tension:

1. Attach locking pliers to track above top roller.
2. Grasp cable at approximate mid-door height location.
3. Draw cable toward you about 1/2" to 1" and release, noting the response of the cable.
4. Repeat above steps for other cable.
5. Adjust cable tension as needed until right and left cables both respond the same.

22g. Once the counterbalance cables are set and if applicable tighten the coupler assembly together by tightening the (3) 3/8" - 16 nylon hex nuts to secure the coupler halves together.

22 ATTACHING COUNTERBALANCE LIFT CABLES

See Figure 72 through Figure 74 for the following steps.

22a. Starting on the left hand side, thread the counterbalance lift cable up and around the front side of the left hand cable drum.

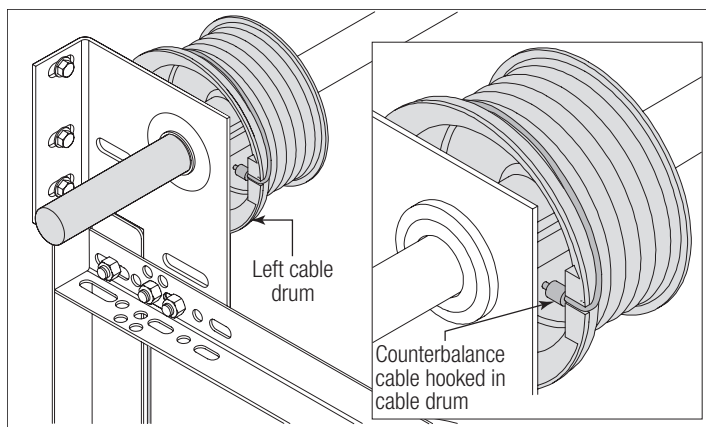


Figure 72, Left Side Shown

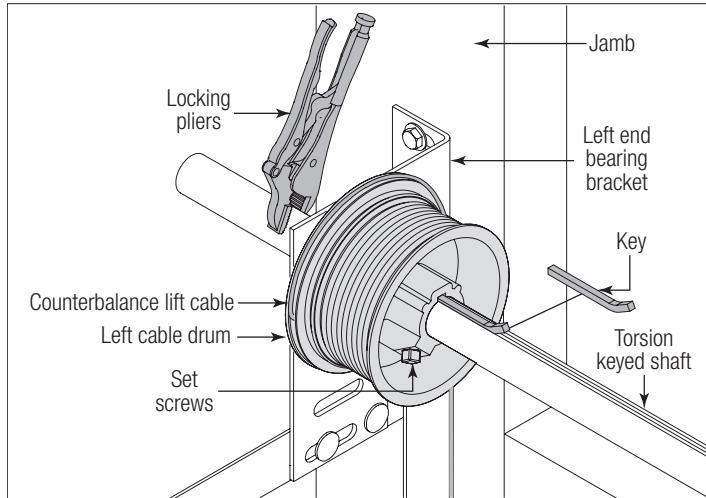


Figure 73, Left Side Shown

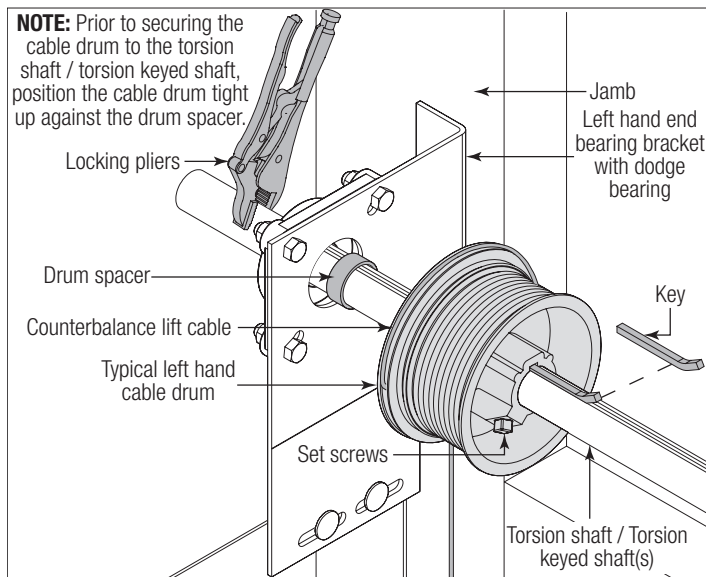


Figure 74, Left Side Shown

23a. Draw a chalk line horizontally along the center of the torsion spring coil(s). As the torsion spring is wound, the chalk line will create a spiral. This spiral can be used to count and determine the number of turns that are applied on the torsion spring.

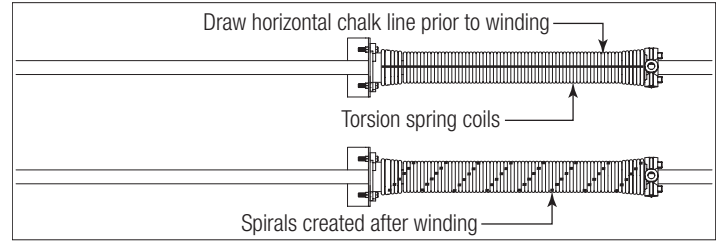


Figure 75

24 SECURING DOOR FOR SPRING WINDING

See Figure 76 for the following steps.

24a. With the door in the fully closed position, place locking pliers onto both vertical tracks just above the third track roller. This is to prevent the garage door from rising while winding spring(s).

24b. Check the following before attempting to wind torsion spring(s):

- Counterbalance lift cables are secured at bottom corner brackets, See Figure 13 through Figure 15.
- Counterbalance lift cables are routed unobstructed to cable drums.
- Counterbalance lift cables are correctly installed and wound onto cable lift drums.
- Counterbalance lift cables are taut and have equal tension on both sides.
- Cable lift drums are against end bearing brackets and set screws are tight.
- Torsion spring or springs are installed correctly.
- Review the label attached to the spring warning tag, to determine number of spring turns required.



FAILURE TO PLACE LOCKING PLIERS ONTO VERTICAL TRACKS CAN ALLOW DOOR TO RAISE DURING SPRING WINDING AND CAUSE SEVERE OR FATAL INJURY.



TO AVOID POSSIBLE DAMAGE TO YOUR DOOR, THE DOOR MUST BE CLOSED AND LOCKED WHEN WINDING OR MAKING ANY ADJUSTMENTS TO THE SPRING(S).

23 CHALKING TORSION SPRING(S)

NOTE: If your springs have stenciling, then skip this step.

See Figure 75 for the following steps.

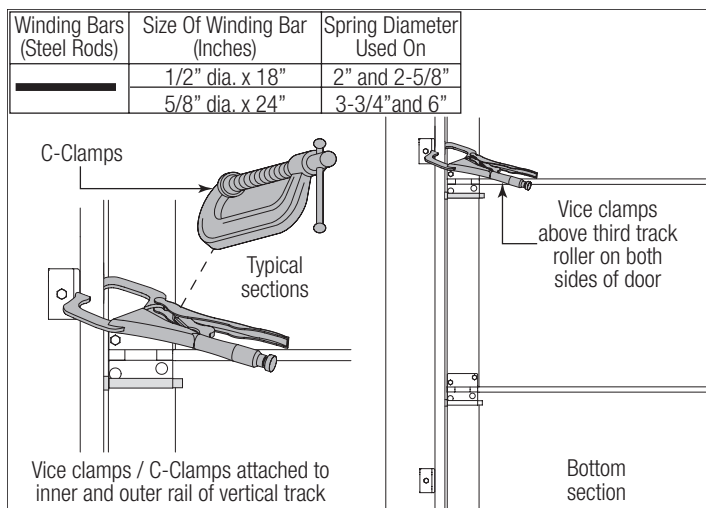


Figure 76

For Springs Up To 3-3/4" Id:

25c. Securely hold the winding rod while tightening the two set screws in the winding cone to 14-15 ft-lbs of torque (once set screws contact the torsion shaft, tighten screws an additional 1/2 turn for solid shaft and one full turn for tubular shaft).

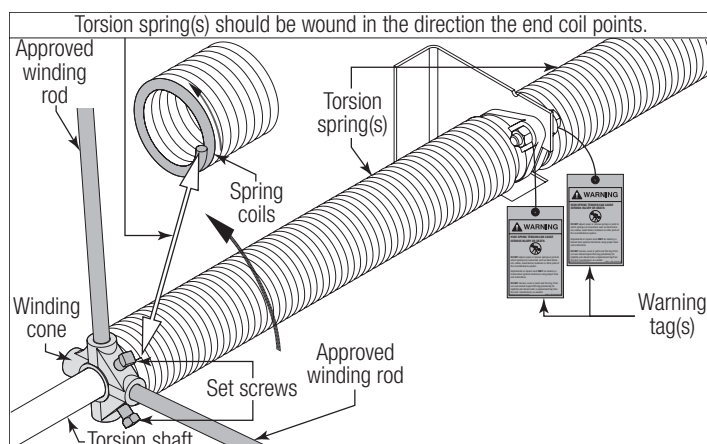


Figure 77

For 6" And Duplex Springs:

25c. Securely hold the winding rod while tightening the 4 set screws in the winding cone to 25 ft-lbs of torque (once set screws contact the torsion shaft, tighten an additional 1/2 turn).

IMPORTANT: If you have torsion keyed shaft(s), one of the set screws will need to be tightened into the keyway of the torsion keyed shaft(s).

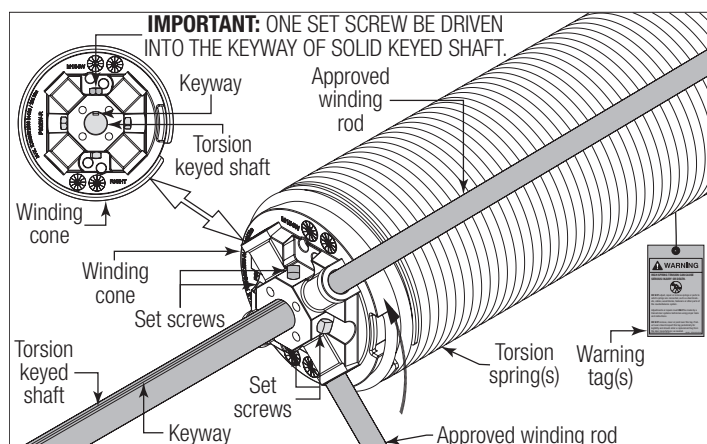


Figure 78

25d. After the torsion spring is secure, use the winding rod to apply pressure in the opposite direction to ensure the set screws are securely fixed to the torsion shaft.

25e. Carefully remove winding rod from winding cone. Repeat for remaining springs, if applicable.

25f. While holding the door down to prevent it from raising unexpectedly in the event the spring(s) were over-wound, carefully remove the locking pliers from the torsion shaft and vertical tracks.

NOTE: If you have a coupler assembly, it may be necessary to loosen and retighten the (3) 3/8" - 16 x 1-3/4" hex head screws and the (3) 3/8" - 16 nylon hex lock nuts assembly bolts to equalize the cable tension on both sides of the door.

25g. Adjustments to the number of turns stated may be necessary. If door rises off floor under spring tension alone, reduce spring tension until door rests on the floor. If the door is hard to rise or drifts down on its own, add spring tension.

NOTE: An unbalanced door such as this can cause garage door opener operation problems.

25 WINDING SPRING(S)

! DANGER

WINDING SPRING IS AN EXTREMELY DANGEROUS PROCEDURE AND SHOULD BE PERFORMED ONLY BY A TRAINED DOOR SYSTEM TECHNICIAN USING PROPER TOOLS AND INSTRUCTIONS.

! WARNING

USE ONLY SPECIFIED WINDING BARS, AS STATED IN STEP SECURING DOOR FOR SPRING WINDING. DO NOT SUBSTITUTE WITH SCREWDRIVERS, PIPE, ETC. OTHER TOOLS MAY FAIL OR RELEASE FROM THE SPRING CONE AND CAUSE SEVERE OR FATAL INJURY.

! DANGER

PRIOR TO WINDING THE SPRING, ENSURE YOU'RE WINDING IN THE PROPER DIRECTION AS SHOWN IN FIGURE 77 AND FIGURE 78. OTHERWISE THE SPRING FITTING MAY RELEASE FROM SPRING AND RESULT IN SEVERE OR FATAL INJURY.

25a. Position a ladder slightly to the side of the spring so that the winding cone is easily accessible, and so your body is not directly in line with the winding bars.

25b. Check the label attached to the spring warning tag for the required number of complete turns to balance your door.

How To Wind Torsion Springs:

1. Insert one winding rod snugly into winding cone, to full socket depth
2. Maintaining a tight grip on the winding rod rotate it slowly in the proper direction, as shown below.
3. If there is any slippage of the winding rod in the winding cone socket, reverse the direction of winding and return the cone to its original position. Remove the winding rod from the winding cone socket. Reseat the winding rod in the socket. Start over at Step #1.
4. When the winding rod is vertical above the winding cone, insert another winding rod into one of the other sockets, being careful to seat it snugly and at full socket depth.
5. Hold the spring with the second winding bar, and remove the first.
6. Repeat Steps #2 through #5 until the complete turns have been applied.

WARNING

DO NOT OPEN DOOR UNTIL STEP REAR BACK HANGS IS COMPLETED.

26 ATTACHING REAR BACK HANGS (NOT INCLUDED)

WARNING

IN THE EVENT THE SPRING(S) WERE OVER-WOUND, HOLD THE DOOR DOWN FIRMLY AND CAUTIOUSLY REMOVE LOCKING PLIERS FROM VERTICAL TRACKS TO PREVENT IT FROM RISING UNEXPECTEDLY.

See Figures 79, 80, 81 and 82 for the following steps.

26a. Raise the door until the top section and half of the next section are in the horizontal track radius. Do not raise door any further since rear of horizontal tracks are not yet supported.

WARNING

RAISING DOOR INTO THE LOOSE HORIZONTAL TRACKS CAN RESULT IN DOOR FALLING AND CAUSE SEVERE OR FATAL INJURY.

26b. Clamp a pair of locking pliers onto the vertical tracks just above the second track roller on one side, and just below the second track roller on the other side. This will prevent the door from raising or lowering while installing the rear back hangs.

26c. Using the chart below, select the appropriate perforated angle (may not be supplied). Fabricate and install rear back hangs, as shown.

Perforated Angle Gauge Weight Limitations:	
Perforated Angle Gauge	Door Balance Weight
2" x 2" x 12 Gauge	800 lbs. to 1600 lbs.
1-1/4" x 1-1/4" x 13 Gauge	305 lbs. to 610 lbs.
1-1/4" x 1-1/4" x 15 Gauge	220 lbs. to 440 lbs.
1-1/4" x 1-1/4" x 16 Gauge	175 lbs. to 350 lbs.

NOTE: If an opener is installed, position horizontal tracks one hole above level when securing it to the rear back hangs.

WARNING

MAKE SURE BACK HANGS ARE BRACED SUFFICIENTLY TO RESIST ANY MOTION DURING SPRING APPLICATION AND DOOR TRAVEL. IF BACK HANGS PIVOT OR DEFLECT, ADD REINFORCEMENT UNTIL THEY REMAIN FIRM AND STATIONARY. ANY BACK HANG THAT IS BENT MUST BE REPLACED.

WARNING

KEEP HORIZONTAL TRACKS PARALLEL AND WITHIN 3/4" TO 7/8" FROM DOOR EDGE, OTHERWISE DOOR COULD FALL, RESULTING IN SEVERE OR FATAL INJURY.

NOTE: Doors heights over 8'0" or door widths over 11'0", require an additional set of rear center back hangs to be installed and located at the middle of the horizontal tracks

26d. Based on your door width and door heights and using perforated angle (may not be supplied), (2) 5/16" x 1-5/8" hex head lag screws and (3) 5/16" bolts with nuts (may not be supplied), fabricate rear center back hangs for the horizontal tracks, for the following:

- The Rear Center Back Hang Assemblies are to be used for all doors over 11'0" door height and over 14'0" door width. One Rear Center Back Hang Assembly, per side.

- The Rear Center Back Hang Assemblies are to be used for all doors over 16'0" door height. Two Rear Center Back Hang Assemblies, per side.

Measure and drill a 3/8" diameter hole through the center length of the horizontal track. Attach the rear center back hangs to the horizontal tracks with (1) 3/8" Truss head bolt and (1) 3/8" nut (may not be supplied).

NOTICE

DO NOT SUPPORT THE WEIGHT OF THE DOOR ON ANY PART OF THE REAR BACK HANGS THAT IS 4" (102 MM) OR MORE BEYOND A SOUND FRAMING MEMBER.

NOTICE

IF REAR BACK HANGS ARE TO BE INSTALLED OVER DRYWALL, USE TWO 5/16" X 2" HEX-HEAD LAG SCREWS AND MAKE SURE LAG SCREWS ENGAGE INTO SOLID STRUCTURAL LUMBER.

DANGER

FAILURE TO ASSEMBLE AND ATTACH REAR BACK HANGS PROPERLY ACCORDING TO THE ABOVE INSTRUCTIONS MAY RESULT IN DOOR FALLING WHEN RAISED, CAUSING DEATH OR SERIOUS INJURY.

NOTICE

PERFORATED ANGLE MUST BE ATTACHED TO SOUND FRAMING MEMBERS AND NAILS SHOULD NOT BE USED.

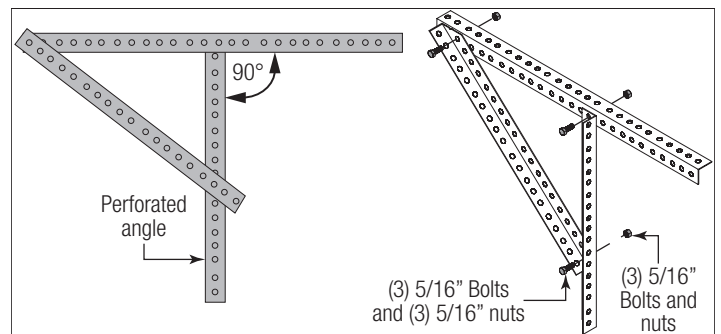


Figure 79

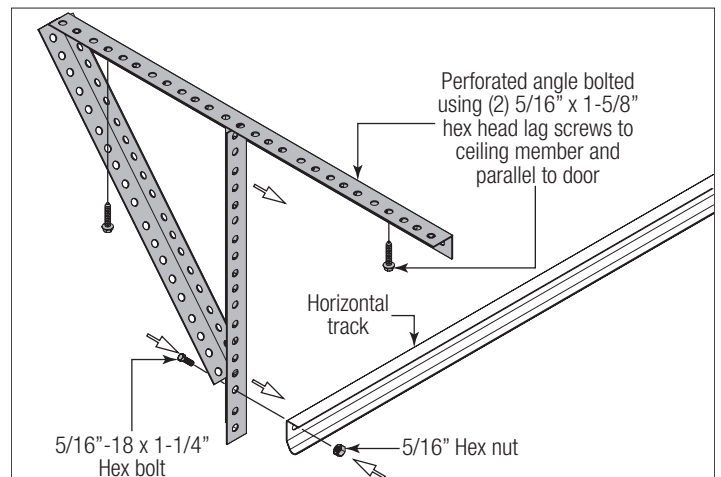


Figure 80

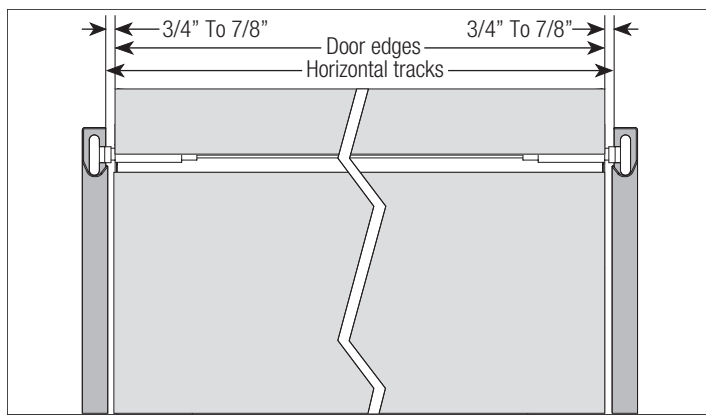


Figure 81

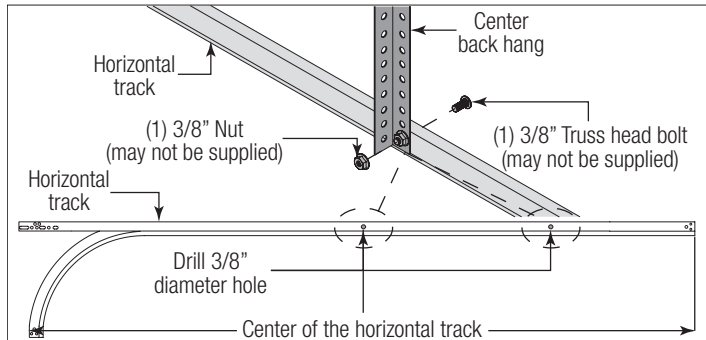


Figure 82

27 CABLE KEEPERS

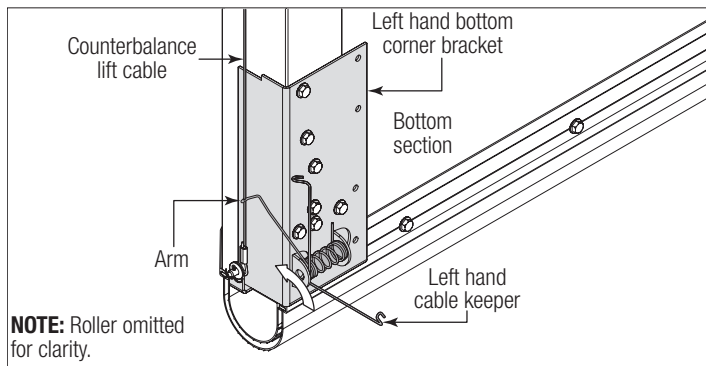
NOTE: If you don't have cable keepers, then skip this step. Refer to Step 4 Attaching Cable Keepers, to determine if you have cable keepers installed.

IMPORTANT: Cable keepers are intended to help prevent counterbalance lift cables from coming off cable drums on manually operated doors. Additional cable tensioning provisions may be required for motor operated doors.

See Figure 83 for the following steps.

27a. Rotate arm up and hook around counterbalance lift cable, letting the cable keeper arm pull against the counterbalance lift cable, keeping it taut.

27b. Close the hook to prevent the counterbalance lift cables from coming out.



NOTE: Roller omitted for clarity.

Figure 83

28 ATTACHING WEATHERSTRIPS (NOT INCLUDED)

NOTE: If you don't have weather seals, then skip this step. Refer to Package Contents / Breakdown of Parts, to determine if you have weather seals.

NOTICE

WHEN PERMANENTLY ATTACHING THE WEATHERSTRIPS TO THE JAMBS, AVOID PUSHING THE WEATHER-STRIPS TOO TIGHTLY AGAINST THE FACE OF DOOR.

See Figure 84 for the following steps.

28a. Permanently attach the weatherstrips on both door jambs and header. The weatherstrips were temporarily attached in Preparing the Opening, in the pre-installation section of this manual.

NOTE: For clarity, door isn't shown.

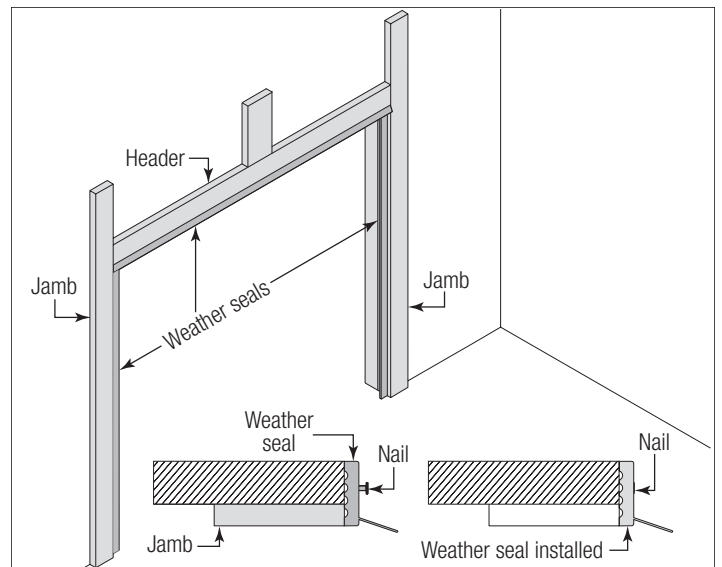


Figure 84

29 BALANCING DOOR

CAUTION

WINDOWS MAY CAUSE THE TOP SECTION TO BE SIGNIFICANTLY HEAVIER THAN THE REMAINING SECTIONS. TO PREVENT ANY SUDDEN DOOR ACCELERATION BETWEEN THE TOP AND BOTTOM, MOTOR OPERATE ALL DOORS WITH WINDOWS.

DANGER

EXTREME CAUTION SHOULD BE USED WHEN MAKING ADJUSTMENTS TO THE SPRINGS AS FAILURE TO FOLLOW THE INSTRUCTIONS OR USE APPROVED WINDING BARS CAN LEAD TO DEATH OR SERIOUS INJURY TO PERSONS OR PROPERTY. BEFORE ATTEMPTING TO MAKE ADJUSTMENTS TO THE SPRING, MAKE SURE YOU HAVE READ AND UNDERSTAND THE INSTRUCTIONS. IF YOU ARE UNCLEAR ON ANY ASPECT OF THE INSTALLATION PROCEDURES, YOU SHOULD CONSULT A TRAINED DOOR SYSTEMS TECHNICIAN.

See Figure 85 and Figure 86 for the following steps.

29a. Remove locking pliers. Lift door and check its balance. Adjustments to the required number of spring turns stated may be necessary. If door rises off floor more than 2 ft. under spring tension alone, reduce spring tension. If the door is hard to rise or drifts down on its own, add spring tension. A poorly balanced door can cause garage door operator problems.

29b. To adjust spring tension, fully close door. Apply locking pliers to track above third track roller. Place locking pliers on torsion shaft, as shown in Step Attaching Counterbalance Lift Cables. Insert a winding rod into the winding cone. Push upward on the winding rod slightly while carefully loosening the set screws in the winding cone.

WARNING

BE PREPARED TO SUPPORT THE FULL FORCE OF THE TORSION SPRING ONCE THE SET SCREWS ARE LOOSE. IF NOT PREPARED, THEN THE WINDING BAR CAN MOVE SUDDENLY AND COME OUT OF THE WINDING CONE AND CAUSE SEVERE OR FATAL INJURY.

Carefully adjust spring tension 1/4 turn. Retighten both set screws to 14-15 ft. lbs. of torque in the winding cone and repeat for the other side. Recheck door balance and re-adjust spring tension if needed.

IMPORTANT: Do not adjust more than 1 turn from the recommended number of turns.

If the door still does not operate easily, lower the door into the closed position, unwind spring(s) completely, and recheck the following items:

29c. Is the door level?

29d. Are the torsion shaft and flag angles / angle mount level and plumb?

29e. Does the distance between the flag angles / angle mount equal door width plus 3-3/8" to 3-1/2"?

29f. Do the counterbalance lift cables have equal tension? Adjust if necessary.

29g. Rewind the spring(s).

29h. Make sure door is not rubbing on jambs.

IMPORTANT: If door still does not balance properly, then contact a trained door system technician.

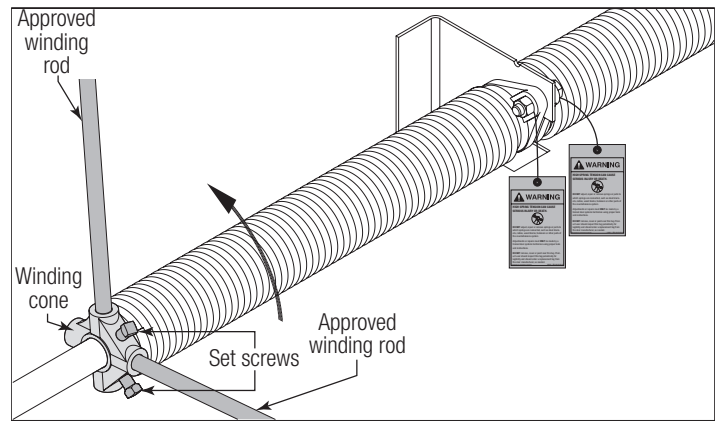


Figure 85

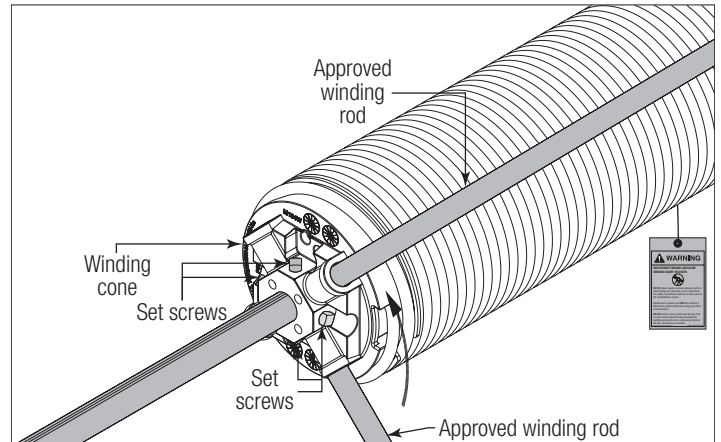
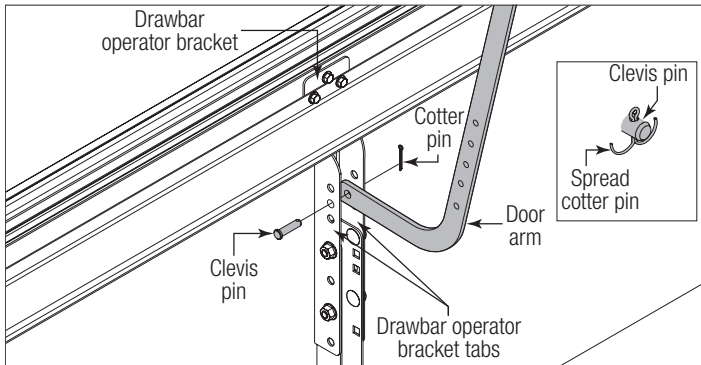


Figure 86

OPTIONAL INSTALLATION

Door Arm Hookup

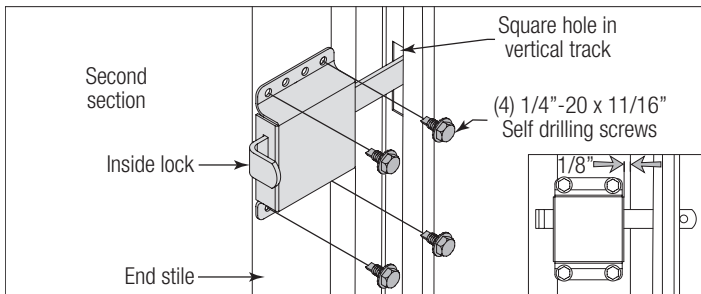
Align hole in the door arm with holes in drawbar operator bracket tabs, as shown. Insert clevis pin, making sure hole in clevis pin is outside of second tab of drawbar operator bracket. Insert cotter pin into clevis pin hole and spread cotter pin to secure assembly, as shown.



Inside Lock

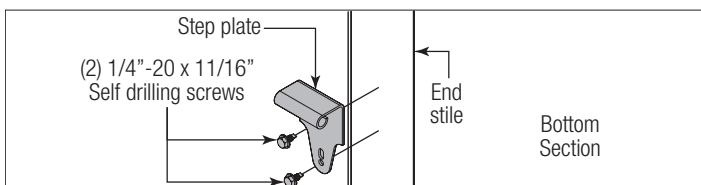
Install the inside lock on the second section of the door. Secure the lock to the section with (4) 1/4" - 20 x 11/16" self drilling screws. Square the lock assembly with the door section, and align with the square hole in the vertical track. The inside lock should be spaced approximately 1/8" away from the section edge.

IMPORTANT: Inside lock(s) must be removed or made inoperative in the unlocked position if an operator is installed on this door.



Step Plate

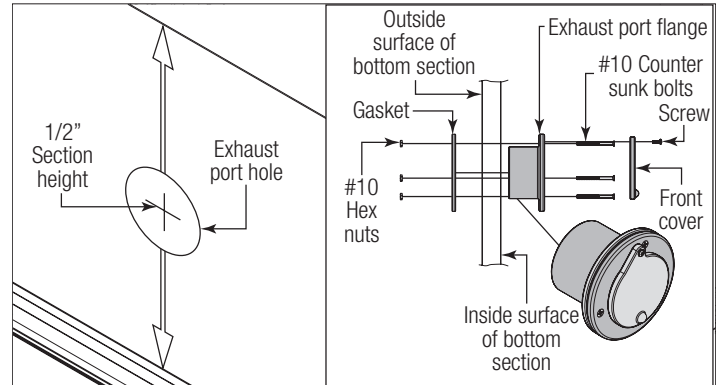
Position your step plate on the inside of the door over the bottom section endstile and on the side of the door containing the side lock. Secure the step plate to endstile using (2) 1/4" - 20 x 11/16" self-drilling screws. For doors ordered with non-keyed locks, a second step plate is provided. Install the second step plate in the same manner as the first on the lock section (second section), below the side lock.



Exhaust Port

Using the illustrations below, locate and install the exhaust port assembly to the bottom section, using #10 counter sunk bolts and #10 hex nuts, as shown.

NOTE: The exhaust port goes on the inside of the bottom section.



Chain Hoist

Chain Hoist Installation (Standard Lift Applications only!)

NOTE: Reference separate instructions for Chain Hoists and Jack Shaft Operators installation instruction.

Chain Hoists and Jack Shaft Operators are limited to:

- 1.) Standard Lift Doors with roof pitch track 2:12 or greater.
- 2.) High Lift track greater than or equal to 24".
- 3.) High Lift track 12" thru 24" with roof pitch track 1:12.

IMPORTANT: If chain hoist operated with auxiliary trolley operated, it is recommended that an optional strut be installed on the top section.

! WARNING

WAYNE DALTON RECOMMENDS THE USE OF A TROLLEY RAIL(S) AND AUXILIARY SHAFT FOR STANDARD OR HIGH LIFT DOORS BELOW THESE LIMITS. CABLE KEEPERS ARE RECOMMENDED FOR ALL CHAIN HOIST OR JACKSHAFTS OPERATORS. INSTALL THE CHAIN HOIST OR SPROCKET AS CLOSE TO THE END BEARING BRACKET AS POSSIBLE, TO MINIMIZE TORSION SHAFT DEFLECTION. CHAIN TENSIONERS ARE RECOMMENDED FOR DOORS OVER 144 SQ. FT. WITH JACKSHAFT OPERATORS.

! WARNING

WAYNE DALTON RECOMMENDS THE USE OF A TROLLEY RAIL(S) COUPLED TO AN AUXILIARY SHAFT THAT IS POWERED BY A SIDE MOUNT TYPE CHAIN HOIST.

NOTE: 9" of extra headroom are required for these installations.

Assemble the trolley rail as per the manufactures installation instructions.

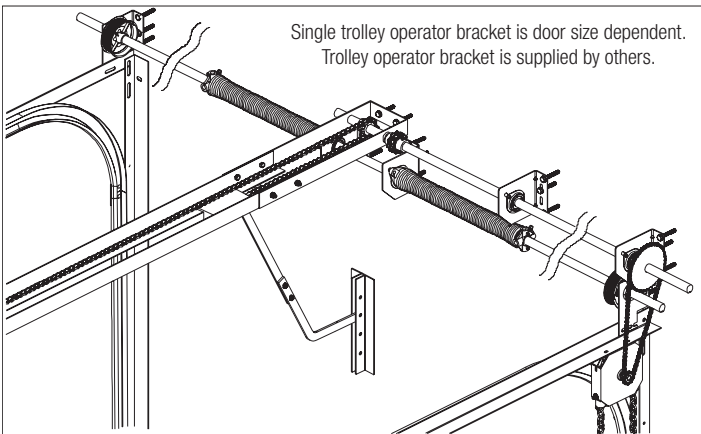
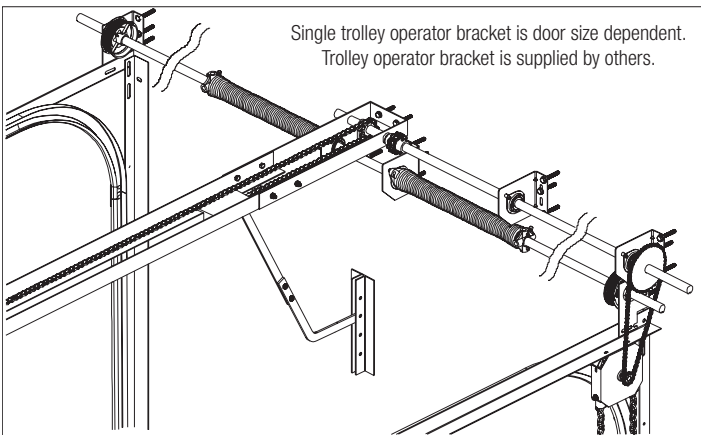
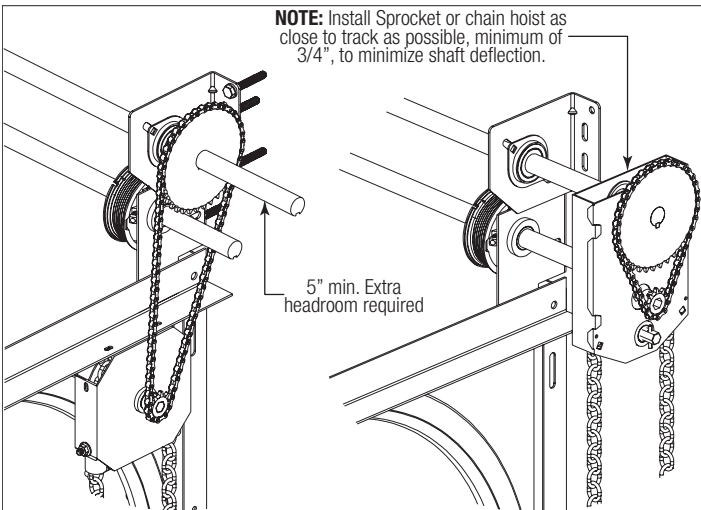
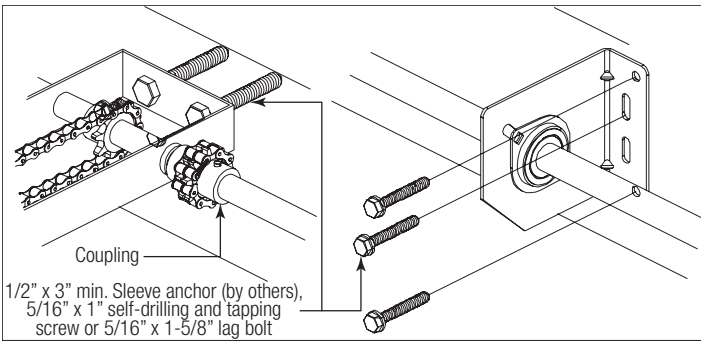
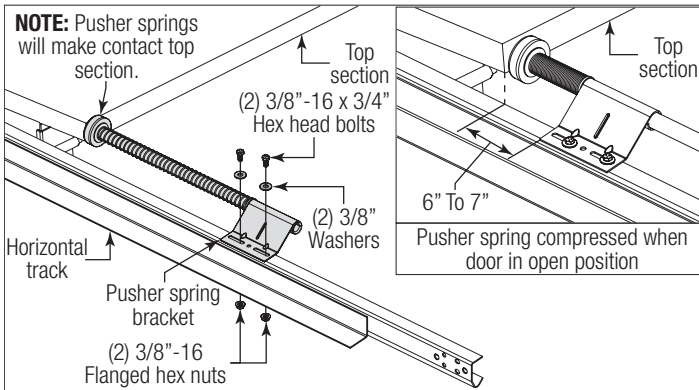
NOTE: Back hang the trolley using angles, center hang supports are required for doors over 14' wide and 12' high.

Pusher Springs

IMPORTANT: Right and left hand is always determined from inside the building looking out.

Raise the door to the open position. Mark the locations of the top section on the top portion of the horizontal tracks. Close the door. Starting on the left hand side, clamp pusher spring mounting bracket to the top portion of the horizontal track 6" to 7" away from the top section mark. Mark the two hole locations onto the horizontal track for the pusher spring mounting bolts. Remove pusher spring and drill 3/8" diameter holes through the top portion of the horizontal track. Assemble pusher spring to the track using (2) 3/8" - 16 x 3/4" hex head bolts, 3/8" washers and 3/8" - 16 flanged hex nuts. Repeat same process for the right hand side. Open door cautiously to test pusher spring installation location.

NOTE: The (2) 3/8" - 16 x 3/4" hex head bolts may extend into the horizontal track.



NOTICE

DO NOT USE A PRESSURE WASHER ON YOUR GARAGE DOOR!

While factory-applied finishes on garage doors are durable, it is desirable to clean them on a routine basis. Some discoloration of the finish may occur when a door has been exposed to dirt-laden atmosphere for a period of time. Slight chalking may also occur as a result of direct exposure to sunlight. Cleaning the door may help to restore the appearance of the finish. To maintain an aesthetically pleasing finish of the garage door, a periodic washing of the garage door is recommended.

The Following Cleaning Solution is Recommended:

A mild detergent solution consisting of one cup detergent (with less than 0.5% phosphate) dissolved into five gallons of warm water will aid in the removal of most dirt.

NOTICE

THE USE OF DETERGENTS CONTAINING GREATER THAN 0.5% PHOSPHATE IS NOT RECOMMENDED FOR USE IN GENERAL CLEANING OF GARAGE DOORS. BE SURE TO CLEAN BEHIND WEATHER-STRIPS ON BOTH SIDES AND TOP OF DOOR.

NOTICE

NEVER MIX CLEANSERS OR DETERGENTS WITH BLEACH.

NOTICE

DO NOT USE ANY WINDOW CLEANING FLUIDS, SCOURING COMPOUNDS, GRITTY CLOTHS OR SOLVENT-BASED CLEANERS OF ANY KIND.

Painting Your Garage Door

Surface Preparation For Painting

Wax on the surface must be removed or paint peeling/ flaking will result. To remove this wax, it will be necessary to lightly scuff the surface with a fine steel wool pad saturated with soapy water. A final wipe and rinse should be done with clean water only to remove any loose particles and any soapy film residue.

Surface scratches, which have not exposed the metal substrate, can be lightly buffed or sanded with 0000 steel wool or no. 400 sand paper to create a smoother surface. Care must be taken to not expose the substrate under the paint. Once the substrate is exposed, the likelihood for rusting is greatly increased.

If substrate is exposed, it must be treated to prevent rust from forming. Sand the exposed area lightly and paint with a high quality metal primer specifically intended for galvanized surfaces to protect the area from corrosion. Allow for drying time on primer can label before applying topcoat.

The surface of the factory-applied finish, that is being painted, must not be too smooth, or the paint will not adhere to it. It is advisable to test in an inconspicuous area, to evaluate adhesion. If poor adhesion is observed, surface preparation for painting the factory-applied finish must be repeated until desired results are achieved. Again, care must be taken to not expose the substrate under the paint.

Painting:

After surface has been properly prepared, it must be allowed to dry thoroughly, and then coated immediately with premium quality latex house paint. Follow paint label directions explicitly. Oil base or solvent base paints are not recommended. Please note that if substrate is exposed and not properly primed, painting with latex paint may cause accelerated rusting of the steel in the exposed area.

NOTES:

1. Re-painting of finish painted steel doors cannot be warranted, as this condition is totally beyond the door manufacturer's control.
2. Consult a professional coatings contractor if in doubt about any of the above directions.

3. Follow directions explicitly on the paint container labels for proper applications of coatings and disposal of containers. Pay particular attention to acceptable weather and temperature conditions in which to paint.

Operation And Maintenance

Operating Your Garage Door:

Before you begin, read all warning labels affixed to the door and the installation instructions and owner's manual. When correctly installed, your Wayne Dalton door will operate smoothly. Always operate your door with controlled movements. Do not slam your door or throw your door into the open position, this may cause damage to the door or its components. If your door has an electric opener, refer to the owner's manual to disconnect the opener before performing manual door operation below.

Manual Door Operation:

For additional information on manual garage door operation go to www.dasma.com and reference TDS 165.



DO NOT PLACE FINGERS OR HANDS INTO SECTION JOINTS WHEN OPENING AND/OR CLOSING A DOOR. ALWAYS USE LIFT HANDLES/SUITABLE GRIPPING POINTS WHEN OPERATING THE DOOR MANUALLY.

OPENING A DOOR: Make sure the lock (if present) are in the unlocked position. Lift the door by using the lift handles/suitable gripping points only. Door should open with little resistance.

CLOSING A DOOR: From inside the garage, pull door downward using lift handles/ gripping points only. If you are unable to reach the lift handles/suitable gripping points only, use pull-down rope (if present) affixed to the side of door. Door should close completely with little resistance.

Using An Electric Operator:

IMPORTANT: If present, Pull-down rope must be removed and locks must be removed or made inoperative in the unlocked position.

When connecting a drawbar (trolley-type) garage door operator to this door, a drawbar operator bracket must be securely attached to the top section of the door, along with any struts provided with the door. Always use the drawbar operator bracket supplied with the door. To avoid possible damage to your door, reinforce the top section with a strut (may or may not be supplied). The installation of the drawbar operator must be according to manufacturer's instructions and force settings must be adjusted properly. Refer to the owner's manual supplied with your drawbar operator for complete details on installation, operation, maintenance and testing of the operator.

Maintaining Your Garage Door:

Before you begin, read all warning labels affixed to the door and the installation instructions and owner's manual. Perform routine maintenance steps once a month, and have the door professionally inspected once a year. Review your Installation Instructions and Owner's Manual for the garage door. These instructions are available at no charge from Wayne Dalton, a division of Overhead Door Corporation, P.O. Box 67, Mt. Hope, OH, 44660, or at www.Wayne-Dalton.com. For additional information on garage door/operator maintenance go to www.dasma.com and reference TDS 151, 167 and 179.

Monthly Inspections:

1. Visual Inspection:

Closely inspect jambs, header and mounting surface. Any material found not to be structurally sound must be replaced. It may be necessary to uninstall part or all of the door assembly in order to replace defective material. Refer to the supplemental instructions "Removing an Existing Door/Preparing the Opening" at www.Wayne-Dalton.com. Inspect the spring(s), counterbalance lift cables, track rollers, pulleys, rear back hangs and other door hardware for signs of worn or broken parts. Tighten any loose screws and/or bolts, except on bottom corner brackets or on the counterbalance assembly. Check exterior surface of the door sections for any minor cracks. Verify door has not shifted right or left in the opening. If you suspect problems, contact a trained door system technician.

⚠ DANGER

GARAGE DOOR SPRINGS, COUNTERBALANCE LIFT CABLES, BRACKETS, AND OTHER HARDWARE ATTACHED TO THE SPRINGS ARE UNDER EXTREME TENSION, AND IF HANDLED IMPROPERLY, CAN CAUSE DEATH OR SERIOUS INJURY. ONLY A TRAINED DOOR SYSTEMS TECHNICIAN SHOULD ADJUST THEM, BY CAREFULLY FOLLOWING THE MANUFACTURER'S INSTRUCTIONS.

⚠ WARNING

NEVER REMOVE, ADJUST, OR LOOSEN THE BOLTS, SCREWS AND/OR LAG SCREWS ON THE COUNTERBALANCE (END BEARING BRACKETS, DRUMS OR SPRING SYSTEM) OR BOTTOM CORNER BRACKETS OF THE DOOR. THESE BRACKETS ARE CONNECTED TO THE SPRING(S) AND ARE UNDER EXTREME TENSION. TO AVOID POSSIBLE DEATH OR SERIOUS INJURY, HAVE ANY SUCH WORK PERFORMED BY A TRAINED DOOR SYSTEMS TECHNICIAN USING PROPER TOOLS AND INSTRUCTIONS.

Torsion Springs:

The torsion springs (located above the door) should only be adjusted by a trained door systems technician. **DO NOT** attempt to repair or adjust torsion springs yourself.

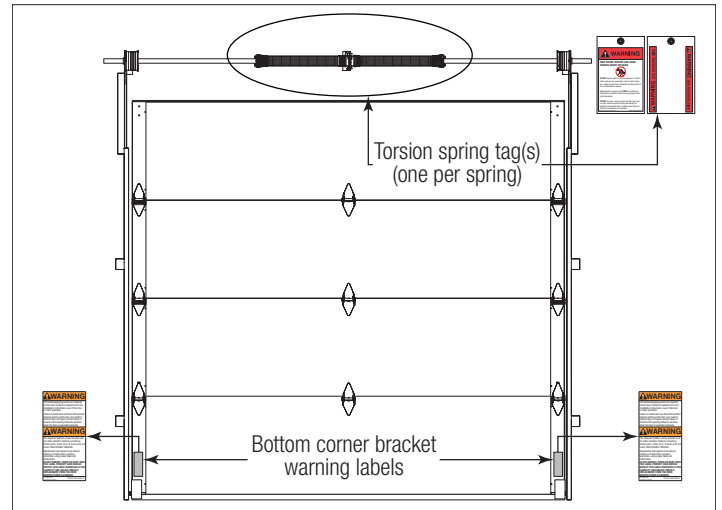
2. Door Balance:

Periodically test the balance of your door. If you have a garage door drawbar operator, use the release mechanism so you can operate the door by hand when doing this test. Start with the door in the fully closed position. Using handles or suitable gripping points, lift the door to check its balance. If door lifts by itself (hard to pull down) or if door is difficult to lift (easy to pull down), have it adjusted by a trained door systems technician. **DO NOT** attempt to repair or adjust Torsion Springs yourself.

3. Lubrication:

The door should open and close smoothly. Ensure the door track rollers are rotating freely when opening and closing the door. If track rollers do not rotate freely, clean the door tracks, removing dirt and any foreign substances. Clean and lubricate (use a non-silicon based lubricant) graduated end hinges, center hinges, steel track rollers, bearings and torsion springs (torsion spring coil surfaces). **DO NOT** lubricate plastic idler bearings, nylon track rollers, or the door track. **DO NOT** oil a cylinder lock. If actuation is difficult, use a graphite dust to lubricate.

Check for Presence of Safety Labels:





Commercial Sectional

ThermoMark™ Door and Operator System

Limited Warranty

Wayne Dalton, a division of Overhead Door Corporation ("Seller") warrants to the original purchaser of the ThermoMark™ Models 530, 5150, 5155, 5200, and 5255 ("Door") and Genie GCL-MH, MJ, MT, H, J, T, GH, or GT commercial operator ("Operator") (Door and Operator purchased and installed together collectively referred to as the "System"), subject to all of the terms and conditions hereof, that the System and all components thereof will be free from defects in materials and workmanship for the following period(s) of time, measured from the date of installation:

- **TEN (10) YEARS** against cracking, splitting, rust deterioration and delamination
- **THREE (3) YEARS** against defects in materials and workmanship on all components of the System, excluding the counterbalance spring and finish, or 20,000 cycles¹, whichever occurs first.
- **TWO (2) YEARS** against peeling or color fade of finish on Product sections with Black finish or Walnut, Mission Oak, or Golden Oak wood grain finish which materially alters the color of the Product and cannot be remedied by cleaning with the recommended solution.

Seller's obligation under this warranty is specifically limited to repairing or replacing, at its option, any part which is determined by Seller to be defective during the applicable warranty period. Any labor charges are excluded and will be the responsibility of the purchaser.

This warranty is made to the original purchaser of the System only, and is not transferable or assignable. This Product is intended for commercial and industrial applications only. Use in a non-approved application will void this warranty. This warranty does not apply to any unauthorized alteration or repair of the System, or to any System or component which has been damaged or deteriorated due to misuse, neglect, accident, failure to provide necessary maintenance, normal wear and tear, acts of God, or any other cause beyond the reasonable control of Seller or as a result of having been exposed to toxic or abrasive environments, including humidity, blowing sand, salt water, salt spray and toxic chemicals and fumes. This warranty does not cover replacement batteries and applies only to Systems (a Door and Operator purchased and installed together simultaneously) and not to any Door or Operator purchased independently from the other, regardless of whether subsequently paired together.

THIS WARRANTY IS EXCLUSIVE AND IN LIEU OF ANY OTHER WARRANTIES, EITHER EXPRESS OR IMPLIED, INCLUDING BUT NOT LIMITED TO ANY IMPLIED WARRANTY OF MERCHANTABILITY OR FITNESS FOR A PARTICULAR PURPOSE.

IN NO EVENT SHALL SELLER BE RESPONSIBLE FOR, OR LIABLE TO ANYONE FOR, SPECIAL, INDIRECT, COLLATERAL, PUNITIVE, INCIDENTAL OR CONSEQUENTIAL DAMAGES, even if Seller has been advised of the possibility of such damages. Such excluded damages include, but are not limited to, loss of use, cost of any substitute product, or other similar indirect financial loss.

Claims under this warranty must be made promptly after discovery, within the applicable warranty period, and in writing to the authorized dealer or installer whose name and address appear below. The purchaser must allow Seller a reasonable opportunity to inspect any System claimed to be defective prior to removal or any alteration of its condition. Proof of the purchase and/or installation date, and identification as the original purchaser, may be required.

¹The number of cycles referred to herein shall be measured by an integrated cycle counter contained in or attached to the Operator. If the cycle counter is rendered inoperable, Seller shall use other reasonable means to determine the cycle count.

SELLER: _____

SELLER'S ADDRESS: _____

Thank you for your purchase.

If you need assistance, please call 1-866-569-3799 (press Option 1) and follow the prompts to contact a customer service representative. They will be happy to handle any questions that you may have.

After installation is complete, leave this Installation Instructions And Owner's Manual with the homeowner, or fasten it near garage door for easy reference.

Product may be covered by one or more patents.
See www.wayne-dalton.com/patents for details.