



***Installation Instructions
for Fixed Shelter
Steel Frame
MODEL TX40WD***



READ COMPLETE INSTRUCTIONS BEFORE INSTALLING DOCK SEAL OR SHELTER

IMPORTANT SAFETY INSTRUCTIONS

DEFINITION OF KEY WORDS USED IN THIS MANUAL:

⚠ DANGER

INDICATES A HAZARDOUS SITUATION THAT, IF NOT AVOIDED, WILL RESULT IN DEATH OR SERIOUS INJURY.

⚠ WARNING

INDICATES A HAZARDOUS SITUATION THAT, IF NOT AVOIDED, COULD RESULT IN DEATH OR SERIOUS INJURY.

⚠ CAUTION

INDICATES A HAZARDOUS SITUATION THAT, IF NOT AVOIDED, COULD RESULT IN MINOR OR MODERATE INJURY.

NOTICE

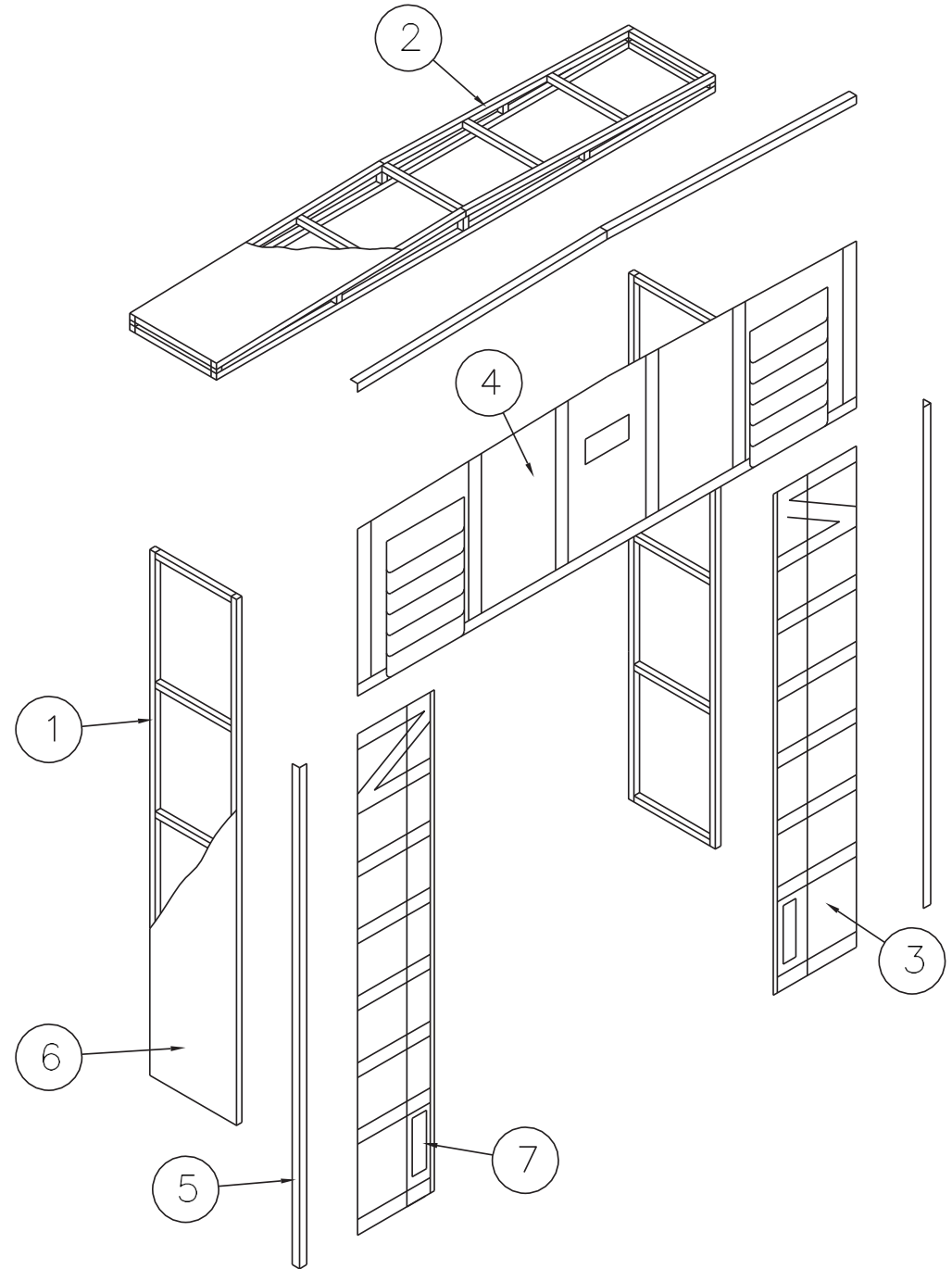
INDICATES INFORMATION CONSIDERED IMPORTANT, THAT IT IS NOT RELATED TO INJURY, BUT MAY RESULT IN PROPERTY DAMAGE.

IMPORTANT: Required key step for proper door operation.

NOTE: Information only.

BREAKDOWN OF PARTS

1. VERTICAL FRAME
2. HEAD FRAME
3. VERTICAL INWARD PANEL C/W FIBER GLASS STAYS & DOUBLE LAYER ON IMPACT AREA
4. HEAD CURTAIN C/W PROTECTIVE FLAPS
5. ALUMINUM ANGLE TRIM
6. GALVANIZED SIDING
7. YELLOW GUIDE STRIPE



INSTALLATION LISTS

THE FOLLOWING LISTS COVER BASIC INSTALLATION, INCLUDING SOME OPTIONS

COMPONENT LIST (PER UNIT)		
NO.	DESCRIPTION	QTY.
1	VERTICAL PANELS	2
2	HEADER PANEL	1
3	VERTICAL FRAMES	2
4	HEAD FRAME	1
5	STABILIZING BRACKETS (STANDARD IF NO PROTECTIVE GUARDS)	2
6	PROTECTIVE GUARDS (OPTION)	2
7	Bottom Pads (Option)	2

HARDWARE SUPPLIED LIST		
NO.	DESCRIPTION	QTY.
8	3/8" SLEEVE ANCHORS	9
9	1/4" X 1-1/4" CONCRETE SCREWS (STABILIZING BRACKET)	4
10	3-HOLE MOUNTING BRACKETS	9
11	4-HOLE MOUNTING BRACKETS	2
12	1" X 1-1/2" SELF -DRILLING SCREWS	62
13	3/8" WASHERS	28
14	#10 X 3/4" SELF-DRILLING SREWS	12
15	1/4" WASHERS	12
16	WIND STRAPS (24" BUNGEE)	4
17	4-HOLE MOUNTING BRACKETS (BOTTOM PAD OPTION)	4
18	#1/4 X 1-1/2" FLAT QUAD SCREWS (BOTTOM PAD OPTION)	8
19	1/4" X 1-1/2" SELF-DRILLING SCREWS (BOTTOM PAD OPTION)	8
20	INSTALLATION INSTRUCTIONS	1

RECOMMENDED TOOLS LIST (TYPICAL MASONRY WALL)	
1	TAPE MEASURE
1	PLUMB LINE LEVEL
1	PENCIL OR MARKER
1	SQUARE
1	POWER DRILL
1	3/8" HEX HEAD DRIVER BIT
1	HAMMER DRILL
1	3/8" MASONRY DRILL BIT
1	HAMMER
1	#2 ROBERTSON SCREWDRIVER
1	1/2" WRENCH
2	FLAT 2 X 4 SUPPORTS
3	CAULKING (SILICON OR BUTYL RUBBER)

INSTALLATION INSTRUCTIONS

⚠ WARNING

READ ALL INSTRUCTIONS BEFORE INSTALLING. WAYNE DALTON WILL NOT BE HELD RESPONSIBLE FOR IMPROPER INSTALLATION OF ANCHORING DEVICES OR FOR INSTALLATION INTO AGED OR UNSOUND CONCRETE, CONCRETE BLOCK, OR OTHER WALL OR FLOOR MATERIAL WHICH MAY RESULT IN PREMATURE PRODUCT WEAR, PRODUCT FAILURE, PROPERTY DAMAGE, OR PERSONAL INJURY.

1. CHECK ORDER

a. Measure door opening height and width.

- Make sure dimensions match the Purchase Order.
- Make sure there is enough space to install shelter (Figure 1 -Standard Unit).
- Check for existing:
 - dock seals
 - bollards or obstacles
 - lights and conduit
 - drains.

NOTE: Make sure there is enough space between the door opening and the frames to install the mounting brackets on the inside of the shelter.

- If there is not enough space, install the Mounting Brackets on the outside of the Frames (Figure 2).

- Standard unit are designed for a 48" dock height, level approach.

b. Check Components and Hardware Supplied List, Make sure all components and hardware are present.

c. Check Recommended Tools List, Make sure all recommended tools are available.

d. Determine method of mounting shelter to wall.

- Super Seal supplies 3/8" sleeve anchors with the shelter. The customer must supply any other mounting hardware, including that for Steel Protective Guards.
- Concrete Block, Precast Concrete, or Brick wall: Use supplied sleeve anchors. if anchors will not hold, use 3/8" threaded rod for through-bolt (not supplied)
- Metal Siding: Use 3/8" threaded rod for through-bolt fastening with steel or wood backup plate (not supplied).

- WELDING THE SHELTER TO THE WALL IS NOT RECOMMENDED.

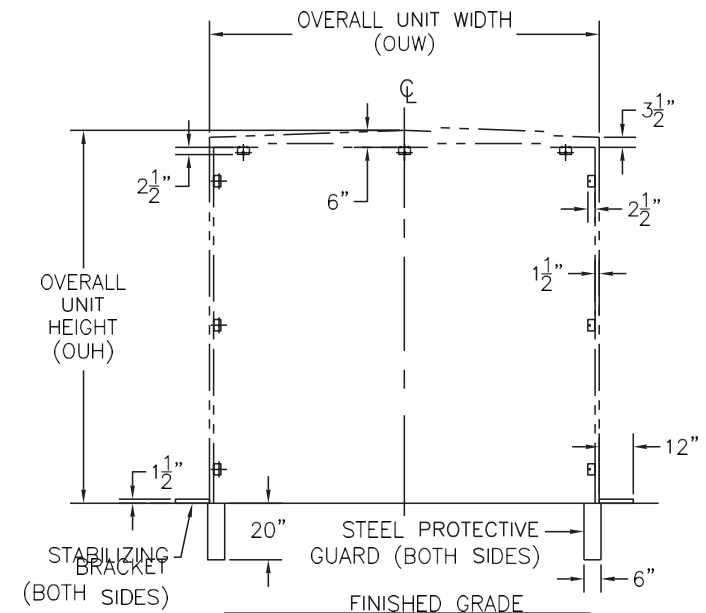


FIG 1

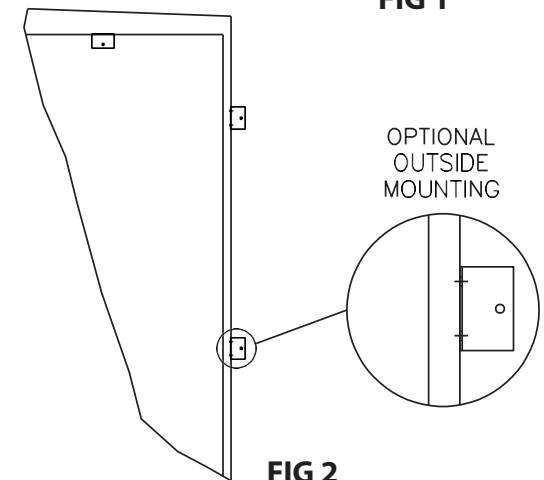


FIG 2

INSTALLATION INSTRUCTIONS CONTINUED...

2. PREPARE DOCK DOOR OPENING

- a. Measure and mark center of dock door opening (**Figure 3**).
 - Mark centerline on dock floor.
 - * Extend line to 138" above dock floor.
 - Make sure marks are plumb to each other.
- b. Draw a level line even with the dock floor along both sides of dock face.
- c. Measure Head Frame width and divide by 2.
- d. Mark Vertical Frame Positions.
 - Measure 1/2 the Head Frame width from dock floor centerline to one side of level line.
 - Mark.
 - Repeat for other side.

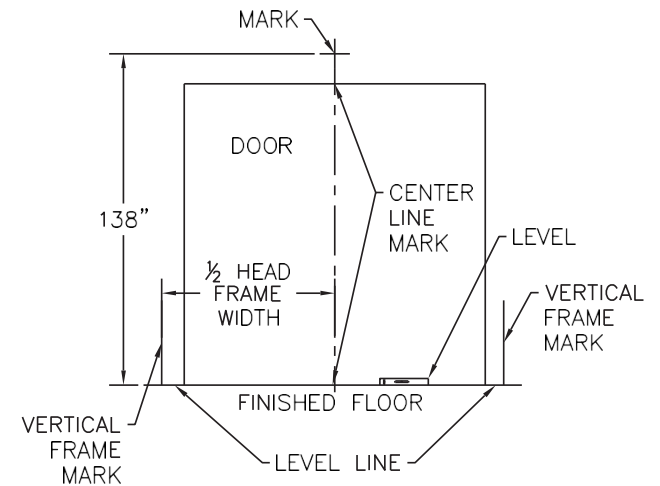


FIG 3

3. MOUNT STABILIZING BRACKETS OR STEEL PROTECTIVE GUARDS

- a. Position Bracket or Guard.
 - If Bracket:
 - * Place Bracket on its side, flush to wall along top of level line, extending away from door opening (**Figure 4**)
 - * Position other Bracket leg along outside of Vertical Frame mark.
 - If Guard:
 - * Determine left and right Protective Guards. The welded bracket goes to the side farthest away from door opening (**Figure 5**).
 - * Place top flat surface of Protective Guard along level line.
 - * Place outside edge of Protective Guard 58" outside Vertical Frame mark.
- b. Bracket or Guard must be perpendicular to building wall, level, and square.
 - Shim if necessary.
- c. Bolt Bracket or Guard to wall
 - If Bracket:
 - * Use 14" x 1 1/4" concrete screw (Supplied) or appropriate mounting hardware.
 - If Guard:
 - * Recommend using 5/8" x 3 1/2" wedge anchor bolts or appropriate mounting hardware (not supplied)
- d. Repeat for other side.
- e. Make sure left and right Brackets or Guards are level to each other.

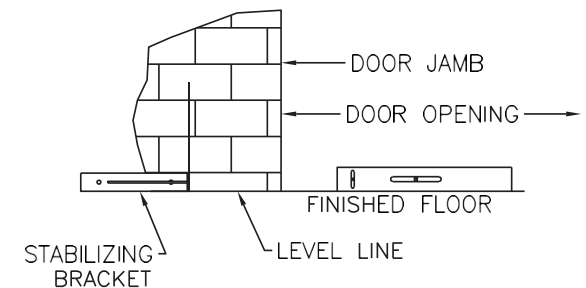


FIG 4

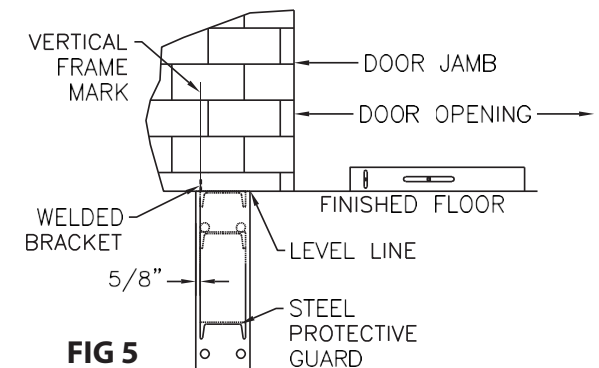


FIG 5

INSTALLATION INSTRUCTIONS CONTINUED...

4. ATTACH MOUNTING BRACKETS TO VERTICAL FRAMES

a. Place Vertical Frames on clean, flat 2x4 supports.

- Place siding face down, wall edges to inside.

NOTE: Do not puncture or scratch siding.

b. Position Mounting Brackets on Wall Edge of Vertical Frame (Figure 6).

- Use three (3) 3-hole Mounting Brackets per Vertical Frame.

- Measure 12" in from top and bottom of Vertical Frame.

- Position top and bottom Mounting Brackets inside of 12" mark.

* Place along wall side, angle flush to edge.

- Position third Mounting Bracket in center.

c. Attach Mounting Brackets to Vertical Frame with 14" self-drilling screws.

d. Position 4-hole Angle Bracket on Vertical frame (Figure 6).

- Measure 6" in from Front Edge on top cross-member.

- Position 4-hole Mounting Bracket on bottom of cross-member.

* The top of the Bracket will extend above the Vertical Frame.

- Attach the Mounting Bracket to the Vertical Frame with 14" self-drilling screws.

e. Repeat steps b, c and d for other Vertical Frame.

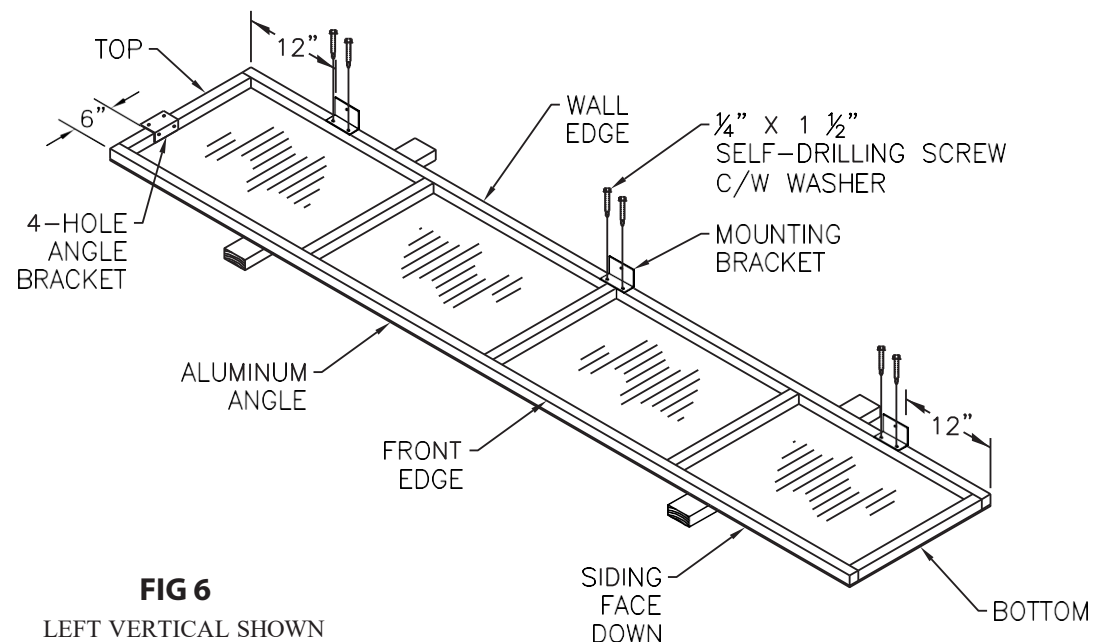


FIG 6

LEFT VERTICAL SHOWN

INSTALLATION INSTRUCTIONS CONTINUED...

5. ATTACH VERTICAL PANELS TO VERTICAL FRAMES

a. Remove Aluminum Angle from front edge.

- Rest Vertical Frame on wall edge and Mounting Brackets.

b. Determine left and right Vertical Panels.

- Raw edge attaches to Vertical Frame.
- Yellow stripe appears at bottom and "Z" reinforcement appears at the top.

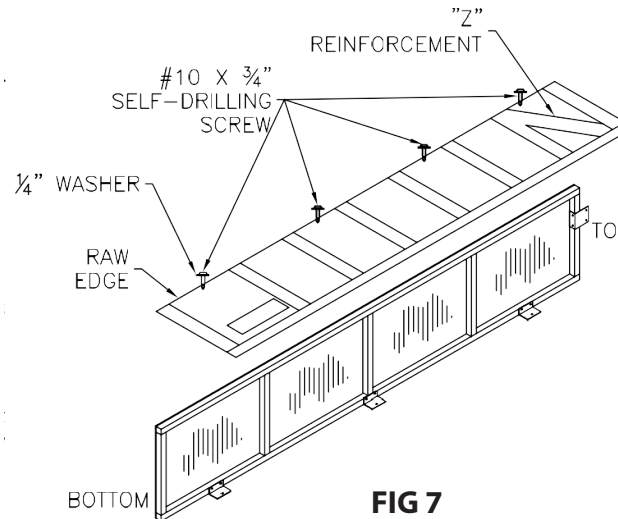


FIG 7

c. Position and secure Vertical Panel.

- Place bottom of Vertical Panel flush with bottom of Vertical Frame (Figure 7).

* Raw edge flush with frame edge.

- Secure at bottom with #10" self-drilling screw and 1/4" washer.

* Do not put screw through stay.

- Spread rest of Vertical Panel along Vertical Frame.

* Keep flush with frame edge, ensuring a tight fit.

* Vertical Panel will be shorter than the Vertical Frame.

- Secure Vertical Panel between stays with three (3) other evenly spaced #10" self-drilling screws and 1/4" washers.

6. RE-ATTACH ALUMINUM ANGLE TO FRONT EDGE OF VERTICAL PANEL

a. Match holes in Aluminum Angle with holes in Vertical Panel stays (Figure 8).

b. Attach to Vertical Frame using 1/4" self-drilling screws and 3/8" washers.

7. ATTACH WIND STRAP TO ALUMINUM ANGLE.

a. Place Wind Strap "S" hook at hole at top of Vertical Frame (Figure 9).

b. Attach "S" hook 1" down from top and 3/4" in from outside edge.

* Use 1/4" self-drilling screw and 3/8" washer.

c. Pull Wind Strap down 36" along Aluminum Angle or until taut.

d. Attach bottom "S" hook 3/4" in from outside edge.

* Use 1/4" self-drilling screw and 3/8" washer.

e. Repeat Steps 5, 6, and 7 for other Vertical Frame.

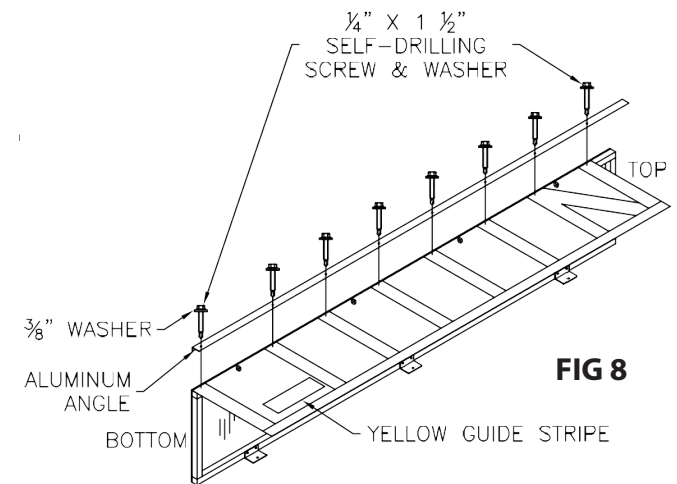


FIG 8

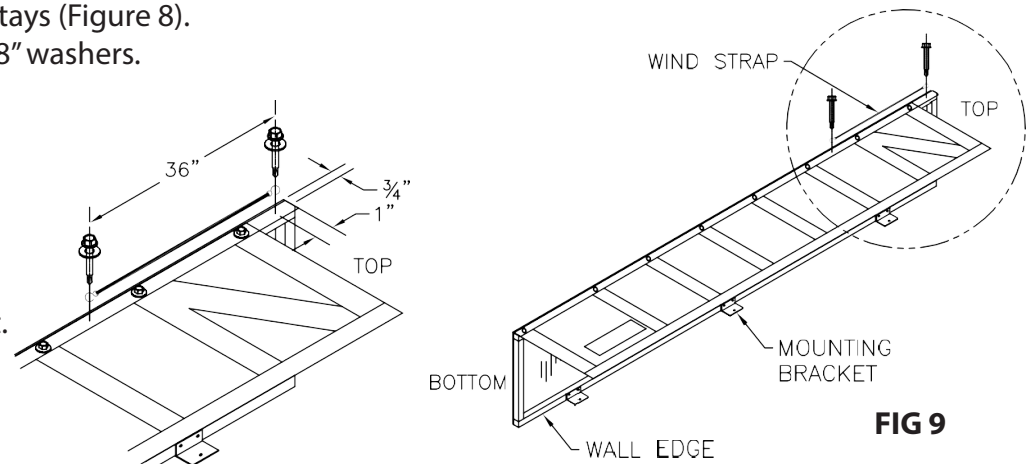


FIG 9

INSTALLATION INSTRUCTIONS CONTINUED...

8. PREPARE HEAD FRAME

- a. Determine front from back on Head Frame.
 - The front has Aluminum Angle trim.
- b. Remove Aluminum Angle from front edge.
- c. Place Head Frame front down on clean, flat 2 x 4 supports.

NOTE: Do not puncture or scratch siding.

- d. Position Mounting Brackets on Head Frame (Figure 10).
 - Use three (3) 3-hole Mounting Brackets.
 - Measure 24" in from each end of Head Frame.
 - * Place left and right Mounting Brackets inside marks.
 - * Place Mounting Brackets along bottom of Head Frame, corner flush to back of frame.
 - Place third Mounting Bracket in center.
- e. Attach Mounting Brackets to Head Frame with 1/4" self-drilling screws.

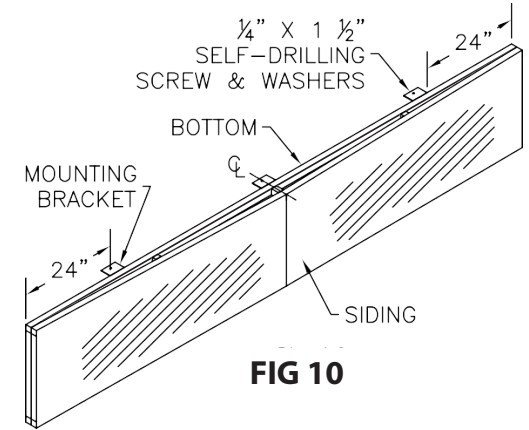


FIG 10

9. Attach Vertical Frames to Wall

- a. Position Vertical Frame.
 - If using Stabilizing Bracket (Figure 11):
 - * If desired, temporarily mount a bracket (not supplied) at Level Line and Vertical Frame mark to support Vertical Frame while attaching to wall.
 - * Lift Vertical Frame up onto wall.
 - * Place wall edge flush to wall.
 - * Place Siding flush to Vertical Frame mark.
 - If using Steel Protective Guard (Figure 12):
 - * Lift Vertical Frame on top of Protective Guard.
 - * Place wall edge flush to wall.
 - * Place Siding flush to welded bracket on Protective Guard.
- b. Make sure Vertical Frame is plumb, level, and square.
- c. Attach Vertical Frame to wall.
 - Drill hole through bottom Mounting Bracket only.
 - Insert sleeve anchor or other appropriate mounting hardware into bottom Mounting Bracket hole.
- d. Attach Vertical Frame to Stabilizing Bracket or Protective Guard.
 - Insert 1/4" self-drilling screws into holes in Stabilizing Bracket or holes in welded bracket on Protective Guards.
 - Secure.
- e. Repeat for other Vertical Frame.

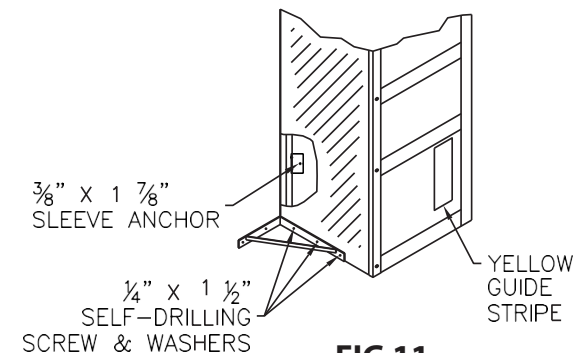


FIG 11

LEFT VERTICAL SHOWN

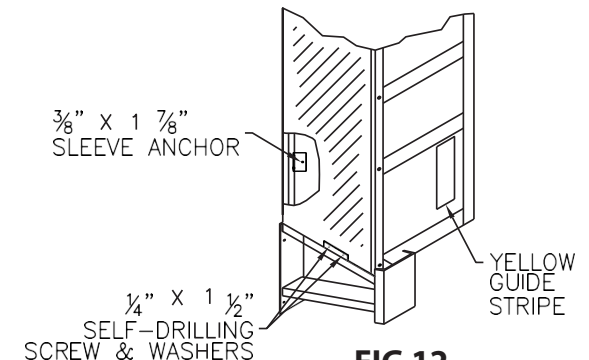


FIG 12

LEFT VERTICAL SHOWN

INSTALLATION INSTRUCTIONS CONTINUED...

10. ATTACH HEAD FRAME TO VERTICAL FRAME

a. Lift Head Frame onto Vertical Frames.

NOTE: Use appropriate, safe lifting method.

b. Place Head Frame on Vertical Frames.

- Set Head Frame on outside of left and right Angle Brackets (Figure 13).
- Position Head Frame flush to wall and flush to front of Vertical Frames.

c. Attach Head Frame to Vertical Frames (Figure 14).

- Insert 1/4" self-drilling screws through Angle Brackets and secure.
 - * Drill at top of Angle Bracket holes.
- Repeat for other side.

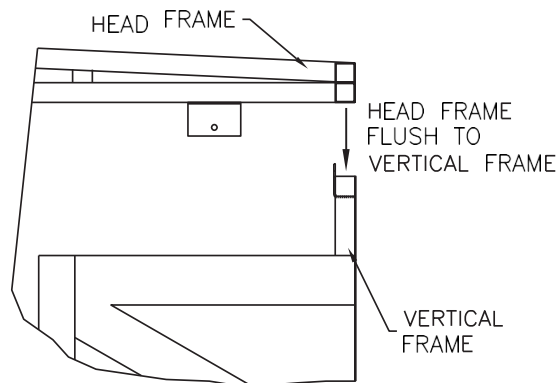


FIG 13

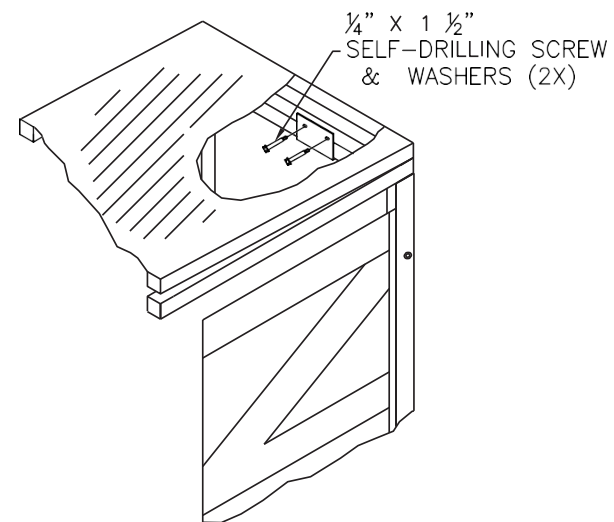


FIG 14

INSTALLATION INSTRUCTIONS CONTINUED...

11. ATTACH HEAD FRAME AND VERTICAL FRAME TO WALL

a. Make sure entire shelter is plumb, level, and square (Figure 15).

- Shim where necessary.

NOTE: This shelter must be plumb, level, and square to function properly.

b. Attach Head Frame to wall.

- Drill hole through center Mounting Bracket.

- Insert sleeve anchor or other appropriate mounting hardware into hole.

- Tighten.

- Repeat for left and right Mounting Brackets.

c. Attach Vertical Frames to wall.

- Drill holes through remaining Mounting Brackets (Figure 16).

- Insert sleeve anchors or other appropriate mounting hardware into holes.

- Tighten.

- Repeat for other Vertical Frame.

- Attach 2 Wind Straps (supplied) to the top inside corners of the verticals by hooking the "S hook" through the grommets, Pull wind strap until taut and secure the end to the header frame using 14"x 1 1/2" self-drilling screws with 3/8" washers.

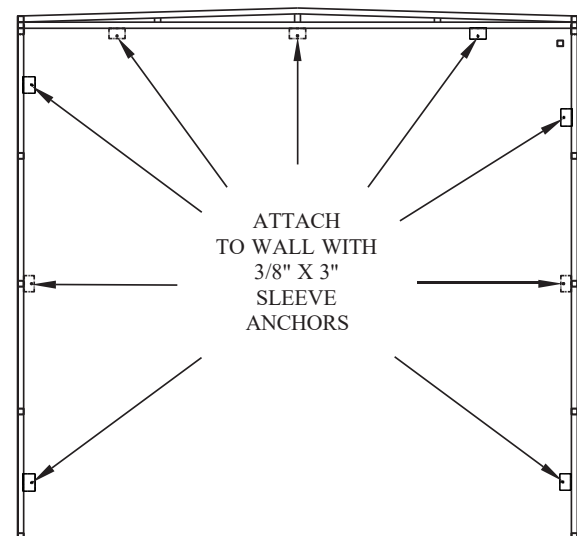


FIG 15

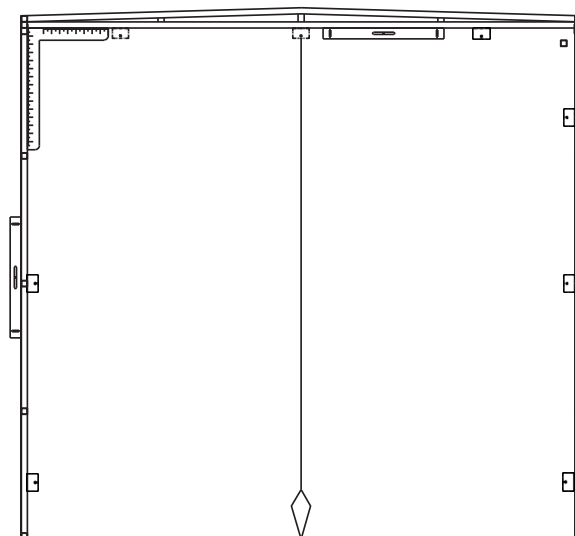


FIG 16

INSTALLATION INSTRUCTIONS CONTINUED...

11. ATTACH HEADER CURTAIN TO HEAD FRAME

- a. Position and secure Header Curtain.
 - Logo is on front of Header Curtain.
 - Match top center of Header Curtain with top center of Head Frame (Figure 17).
 - * Place raw edge flush to frame edge.
 - Secure with #10" self-drilling screw and 1/4" washer.
 - Spread rest of Header Curtain along Head Frame.
 - * Keep flush with edge, ensuring a tight fit.
 - * Secure Header Curtain between stays with four evenly spaced #10" self-drilling screws and 1/4" washers.
- b. Re-attach Aluminum Angle to front edge of Head Frame (Figure 18).
 - Match holes in Aluminum Angle with Header Curtain stays.
 - Insert 1/4" self-drilling screws and 3/8" washers into holes.
 - Secure.
- c. Attach Header Curtain to bottom Head Frame member (Figure 19).
 - Insert 1/4" self-drilling screws and 3/8" washers through Header Curtain stays.

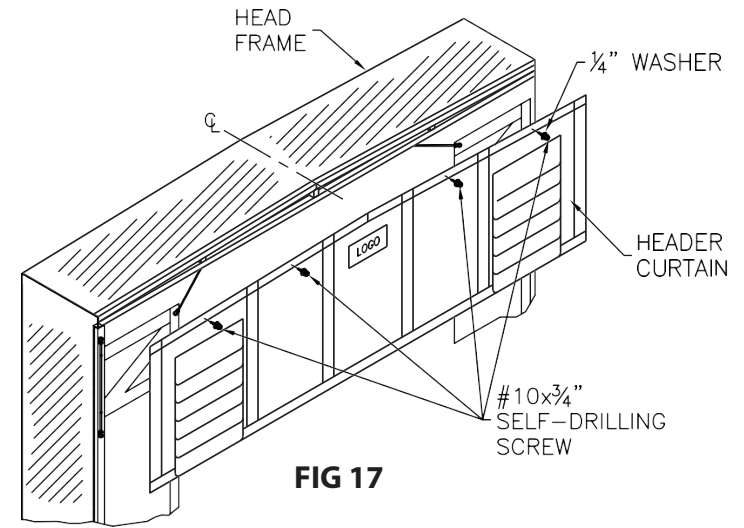


FIG 17

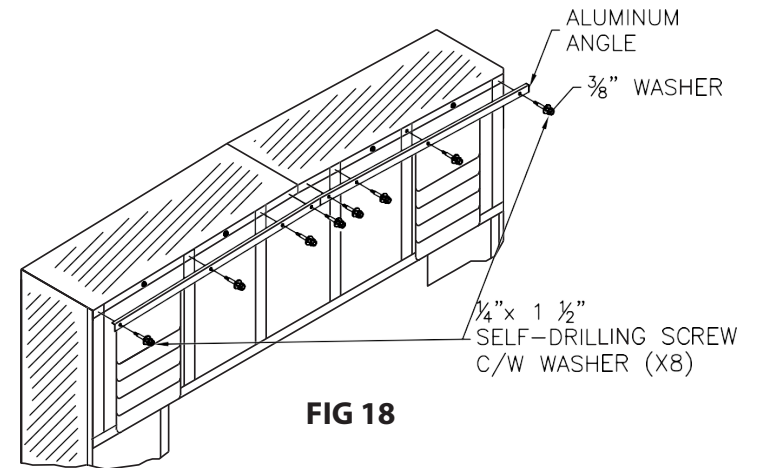


FIG 18

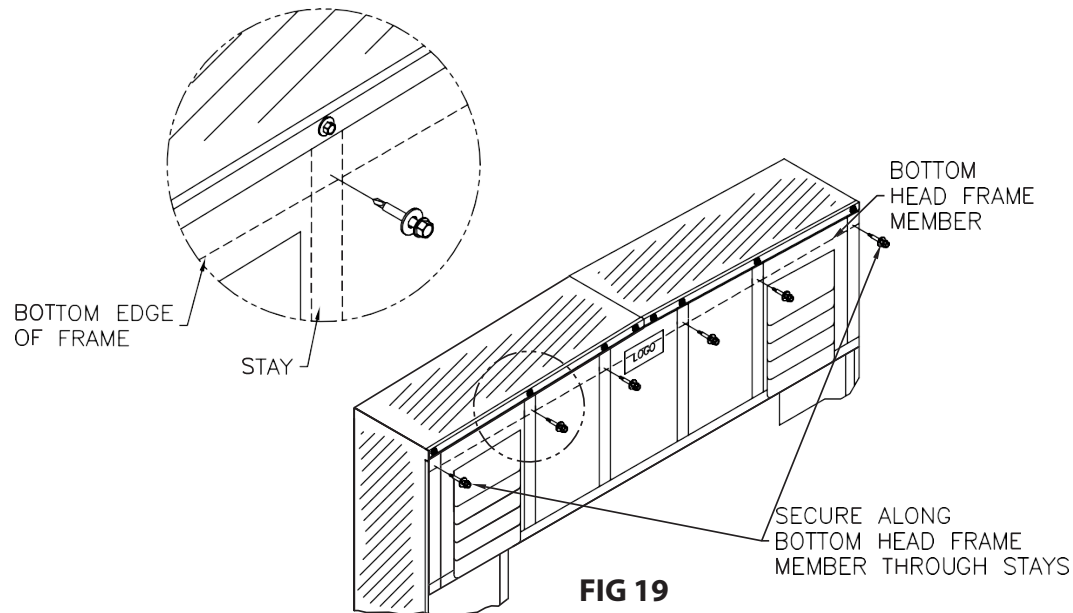


FIG 19

INSTALLATION INSTRUCTIONS CONTINUED...

13. ATTACH WIND STRAP

- a. Unfasten bottom Wind Strap "S" hook from Vertical Frame.
- b. Thread Wind Strap through Header Curtain (Figure 20).
 - Pull "S" hook through loop on back of Header Curtain.
- c. Re-attach Wind Strap to Vertical Frame.
- d. Repeat for other side.

14. ATTACH BOTTOM PADS, IF ORDERED

- a. Mark Bottom Pad.
 - Place both Bottom Pads so that the No Step patch is facing up.
 - Measure 1-1/2" above bottom of each pad (Figure 21).
 - Mark a horizontal line across the wide end of each Bottom Pad.
- b. Attach Mounting Brackets to Bottom Pad.
 - Position two 4-Hole Mounting Brackets on Bottom Pad
 - * Place long side of Mounting Brackets against Bottom Pad.
 - * Place corner flush to line.
 - * Place outside edge of each Mounting Bracket 4" in from each side of Bottom Pad.
 - Attach Mounting Brackets to Bottom Pad with #14 flat quad screws.
 - Repeat for other Bottom Pad.
- c. Attach Bottom Pad to Vertical Frame.
 - Place Bottom Pad along bottom of Vertical Frame (Figure 22).
 - Insert 1/4" self-drilling screws through Mounting Brackets and attach to Vertical Frame.
 - Repeat for other side.

15. FINISH INSTALLATION

- a. Remove protective covering on siding, if present.
 - Start at wall and work toward front.
 - Do not scratch siding.
- b. Caulk between Head Frame and Wall.
 - A silicon or butyl rubber caulk is recommended.
 - * **NOTE:** If mounting on siding or on pre-cast concrete, fill in gaps with styrofoam.
 - Caulk along:
 - * Outside of Head Frame along Wall.
 - * Head Frame Aluminum Angle.
 - Fill in any remaining gaps around unit as needed.

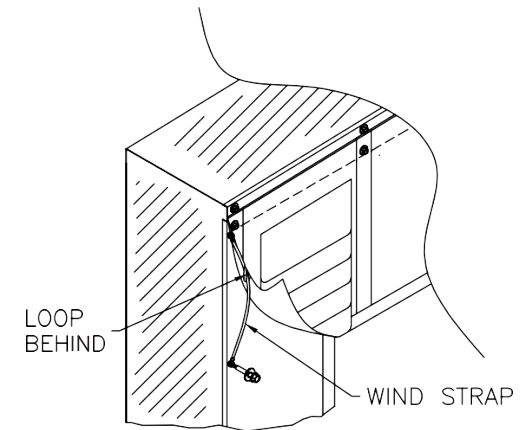


FIG 20

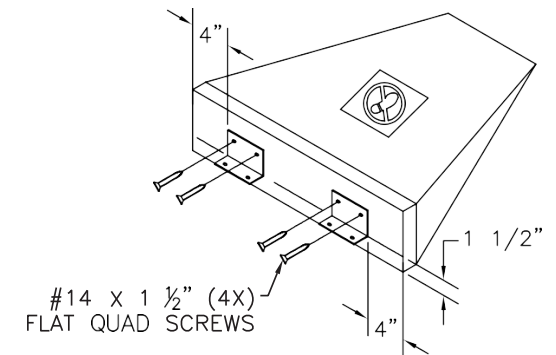


FIG 21

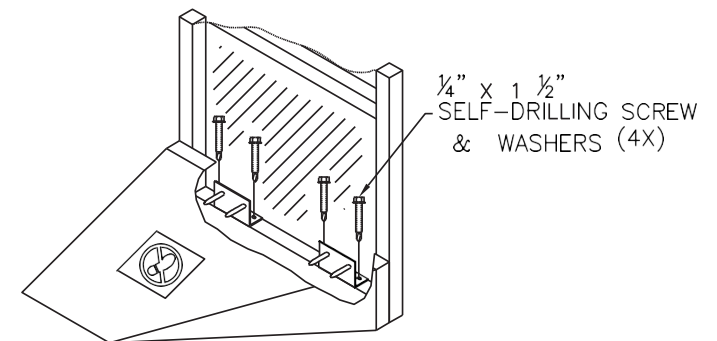


FIG 22