



Installation Instructions for Adjustable Curtain Seal MODEL LC20WD



READ COMPLETE INSTRUCTIONS BEFORE INSTALLING DOCK SEAL OR SHELTER

IMPORTANT SAFETY INSTRUCTIONS

DEFINITION OF KEY WORDS USED IN THIS MANUAL:

⚠ DANGER

INDICATES A HAZARDOUS SITUATION THAT, IF NOT AVOIDED, WILL RESULT IN DEATH OR SERIOUS INJURY.

⚠ WARNING

INDICATES A HAZARDOUS SITUATION THAT, IF NOT AVOIDED, COULD RESULT IN DEATH OR SERIOUS INJURY.

⚠ CAUTION

INDICATES A HAZARDOUS SITUATION THAT, IF NOT AVOIDED, COULD RESULT IN MINOR OR MODERATE INJURY.

NOTICE

INDICATES INFORMATION CONSIDERED IMPORTANT, THAT IT IS NOT RELATED TO INJURY, BUT MAY RESULT IN PROPERTY DAMAGE.

IMPORTANT: Required key step for proper door operation.

NOTE: Information only.

INSTALLATION LISTS

THE FOLLOWING LISTS COVER BASIC INSTALLATION

COMPONENT LIST	
DESCRIPTION	QTY.
VERTICAL PAD	2
HEADER CURTAIN	1
HARDWARE BOX	1

HARDWARE SUPPLIED LIST	
DESCRIPTION	QTY.
INSTALLATION INSTRUCTIONS	1
3/8" SLEEVE ANCHOR	17
NO. 14 WOOD SCREW	36
STEEL BRACKET, FLAT	6
STEEL BRACKET, ANGLE	6
PRE-CUT ROPE [(1) LONG, (1) MEDIUM, (1) SHORT]	1
ROPE CLEAT	1

RECOMMENDED TOOLS LIST (TYPICAL MASONRY WALL)			
DESCRIPTION	QTY.	DESCRIPTION	QTY.
CAULKING GUN	1	HAMMER DRILL	1
PENCIL OR MARKER	1	3/8" MASONRY DRILL BIT	1
TAPE MEASURE	1	HAMMER	1
CAULKING - OUTDOOR ACRYLIC TYPE	1	WELDING EQUIPMENT	1
LEVEL	1	1/2" SOCKET WRENCH	1
SQUARE	1	NO.3 ROBERTSON/PHILIPS DRIVER	1

INSTALLATION INSTRUCTIONS

⚠ WARNING

READ ALL INSTRUCTIONS BEFORE INSTALLING. WAYNE DALTON WILL NOT BE HELD RESPONSIBLE FOR IMPROPER INSTALLATION OF ANCHORING DEVICES OR FOR INSTALLATION INTO AGED OR UNSOUND CONCRETE, CONCRETE BLOCK, OR OTHER WALL OR FLOOR MATERIAL WHICH MAY RESULT IN PREMATURE PRODUCT WEAR, PRODUCT FAILURE, PROPERTY DAMAGE, OR PERSONAL INJURY.

1. CHECK ORDER

- a. Measure door opening height and width .
 - Dock seal opening varies according to dimensions of existing door.
 - Make sure dimensions match Purchase Order.
- b. Check Components List and Hardware Supplied List to make sure all listed are present (Page 1).
- c. Check Recommended Tools List and make sure all are available (Page 1).
- d. Determine method of mounting.

Recommended Methods for:

1. **Concrete Block, Precast Concrete, or Brick Wall:** Use 3/8" x 1-7/8" expansion anchors. Use through-bolt fastening if anchors will not hold. 3/8" x 1-7/8" threaded rod recommended (supplied by others).
2. **Metal Siding:** Through-bolt fastening as above (supplied by others). Use a back-up plate (steel or wood) to support bolts. Another alternative is to use wood lags with back plate from inside the building to back of seal.
3. **Steel Door Frame:** Weld brackets on face of building wall. Flush with inside perimeter in a manner in which the lip of the angle bracket will extend out from the building. This allows for the welded portion to be hidden behind the side pads. In addition, this will allow easy access of No. 14 wood screws (see step 3A). An alternative is to use Tek-Screws.

2. MARK CENTERLINE

- a. Finding the centre.
 - Locate centerline of door opening and mark on dock floor.
 - Mark centerline on lintel above door.
 - Measure head frame width and mark.
 - Take 1/2 the head curtain width and mark this distance on both sides of door's centerline (Fig. 1).
 - This will determine the outside position of each vertical pad.
 - Draw a level line even with the dock floor along both sides of the dock face.

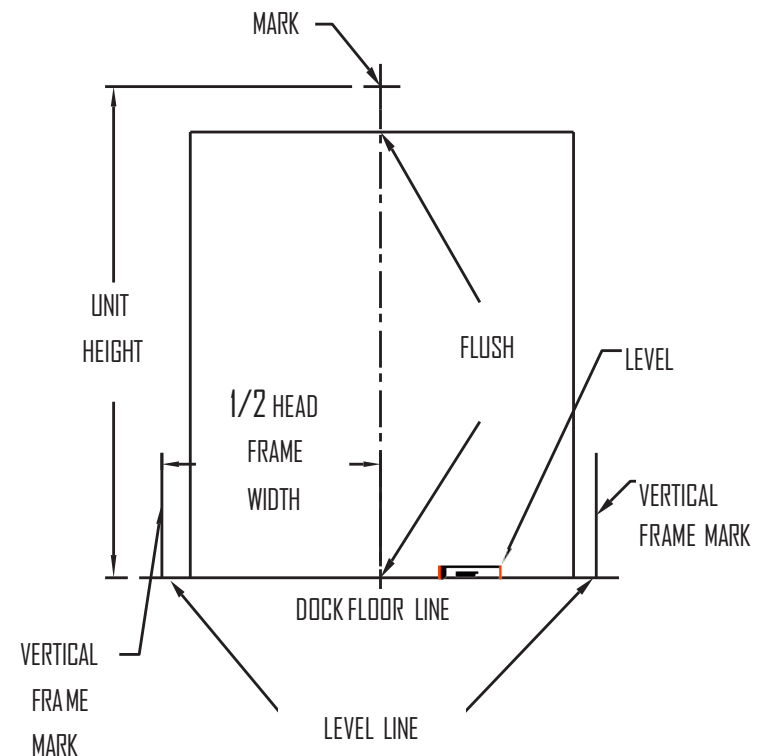


FIG 1

INSTALLATION INSTRUCTIONS CONTINUED...

3. PREPARING VERTICAL PADS

- a. Determine left and right vertical pad.
- b. Mount brackets to pad.
 - Place face down on ground.
 - Mark and drill holes at centre as well as 12" from bottom end and 18" from the top end of the frame (Fig. 2).
 - Use at least three, three-hole mounting brackets per vertical frame per perimeter.
 - Fasten three FLAT brackets to the back INSIDE perimeter.
 - Fasten three ANGLE brackets to the back OUTSIDE perimeter.
 - Use information from Step. 2 and Fig.2, determine position of vertical frame's bottom edges.
 - Make sure frames are plumb and square from bottom to top (Fig. 3).
 - Fasten using 3/8" x 1-7/8" sleeve anchor bolts.
 - Repeat for other pad.

NOTE: Final location of the bracket to be determined by the installer to suit spacing of the mortar joints or other wall configurations. Common location of brackets is one at centre and 12" from bottom and 18" from top (FIG.2).

3A. IF MOUNTING WELD BRACKETS TO STEEL DOOR FRAME

- a. Steel door frame.

NOTE: It is not unusual to have a door jamb that is steel from the floor line to 3-4 feet up on the jamb.

1. Inside perimeter

- Weld to jamb. Be sure to "hide" the welding portion, but be sure to allow room to screw into the wood backing of the seal.
- Place upper two brackets: Drill a hole for 3/8" x 1-7/8" sleeve anchor near center and place upper two brackets. Be sure to allow room to screw into jamb.
- Secure with galvanized brackets (see 2).

2. Outside perimeter:

- Fasten the remaining brackets to the vertical pads.

3. If the door jamb is steel around the total perimeter of the jamb

- Weld a galvanized angle bracket at the center and at the top of the inside perimeter of the jamb following the same procedure as above.

NOTE: Final location of the bracket to be determined by the installer to suit spacing of the mortar joints or other wall configurations. Common location of brackets is one at center and one 12" from each end.

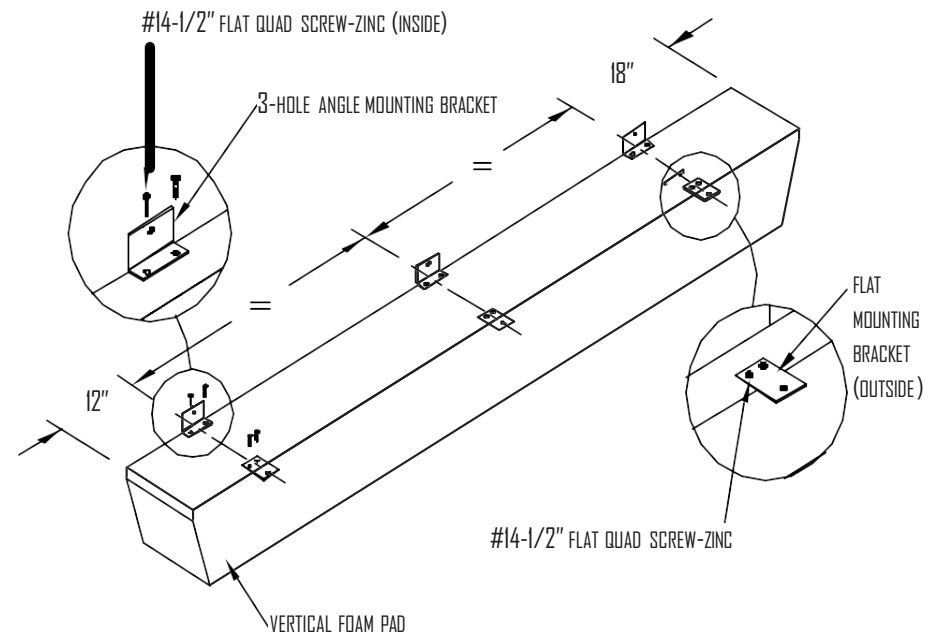


FIG 2

INSTALLATION INSTRUCTIONS CONTINUED...

4. MOUNT VERTICAL PADS TO WALL

a. Mount to wall.

- Taking the prepared pads, level the bottom of pads with dock floor or at the top of dock bumpers on low docks (Fig.3).
- Level side pads from top to bottom.
- Bolt a 3/8" x 1-7/8" sleeve anchor through the middle angle bracket.
- Repeat a-c for remaining brackets.

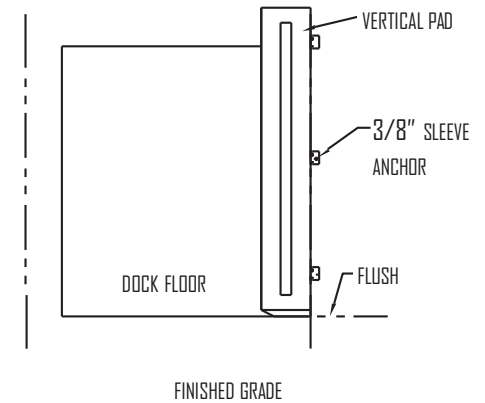


FIG 3

5. HEAD CURTAIN OPTIONS:

01. Adjustable Head Curtain
02. Split Head Curtain
03. Fixed Head Curtain

01. ADJUSTABLE HEAD CURTAIN

01-A. Prepare Adjustable Head Curtain

a. Attaching ropes.

- Lay Drop Curtain "B", face down on a clean surface.
- Feed pull ropes (3 different lengths) through the "D" rings and pulleys (Fig. 01-A).

NOTE: "D" rings and pulleys are sewn to the underside of fabric; therefore, lie the head curtain face down on the floor before proceeding.

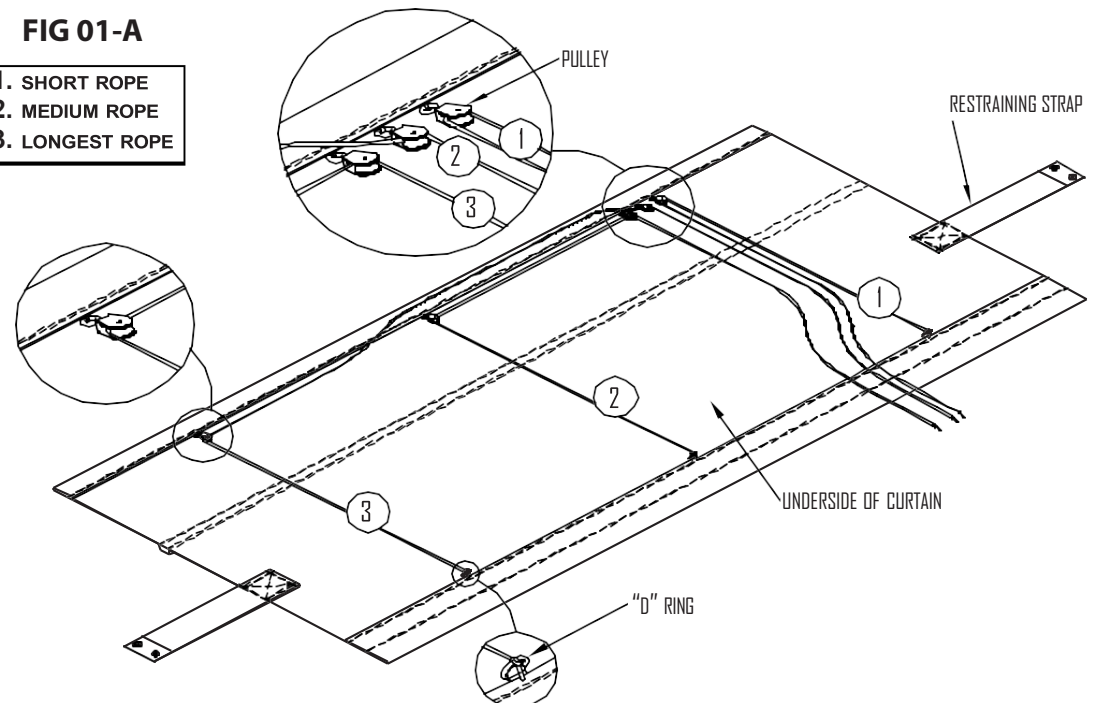
Step 1: Attach shortest rope to first "D" ring at bottom of the curtain. Continue to feed rope through rest of "D" rings and through pulley.

Step 2: Repeat procedure for medium rope.

Step 3: Repeat procedure for the longest rope.

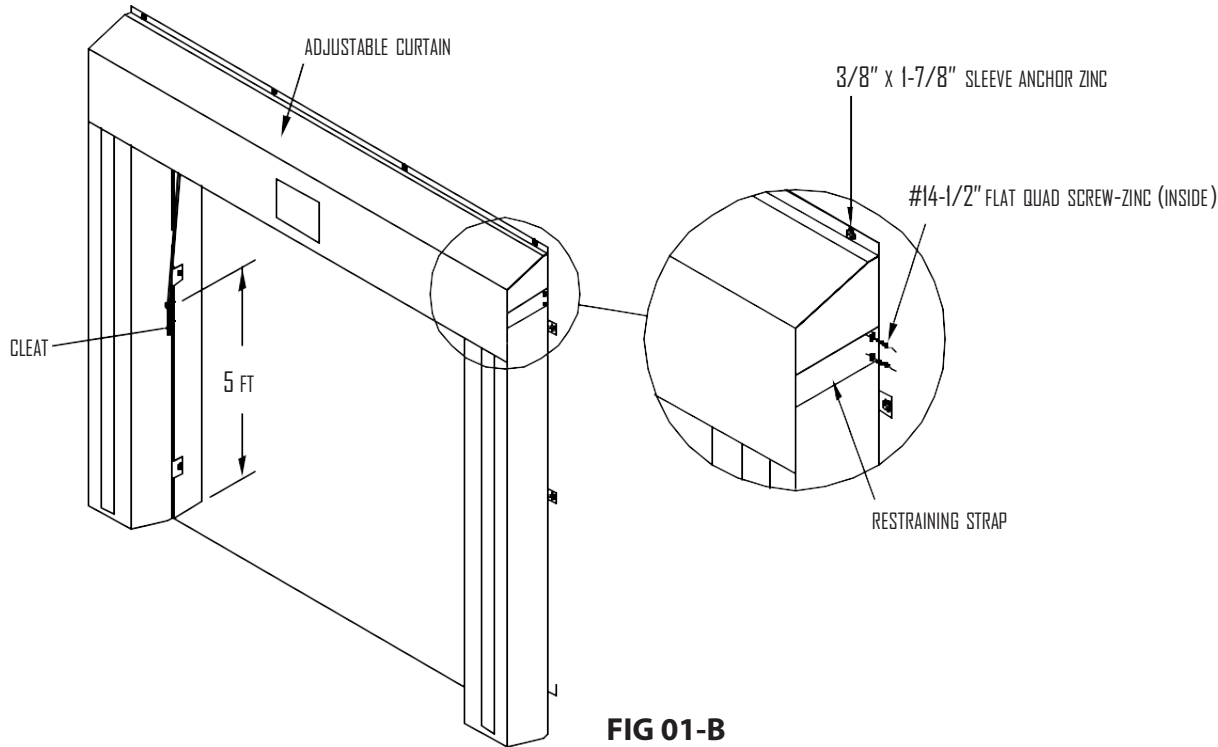
FIG 01-A

1. SHORT ROPE
2. MEDIUM ROPE
3. LONGEST ROPE



INSTALLATION INSTRUCTIONS CONTINUED...

01-B. Mounting Adjustable Head Curtain



a. Preparing curtain: collect curtain with the attached flat bar.

b. Attaching curtain to wall.

- Fasten to wall using 3/8" x 1-7/8" sleeve anchor bolts at the marked hole locations.

NOTE: There are marks at the hole locations of the head curtain bar. Begin at centre and work outward to the ends.

- Each side of the header seal has one restraining strap(s) (Fig. 01-B) with two grommet holes each.

- These flaps should be mounted to the wood backing of the vertical seals using No. 14 wood screws.

01-C. Mount Cleat

a. Location (viewing from outside of door to inside):

- Left jamb door opening, approximately 5 feet from dock floor (see Fig. 01-B).

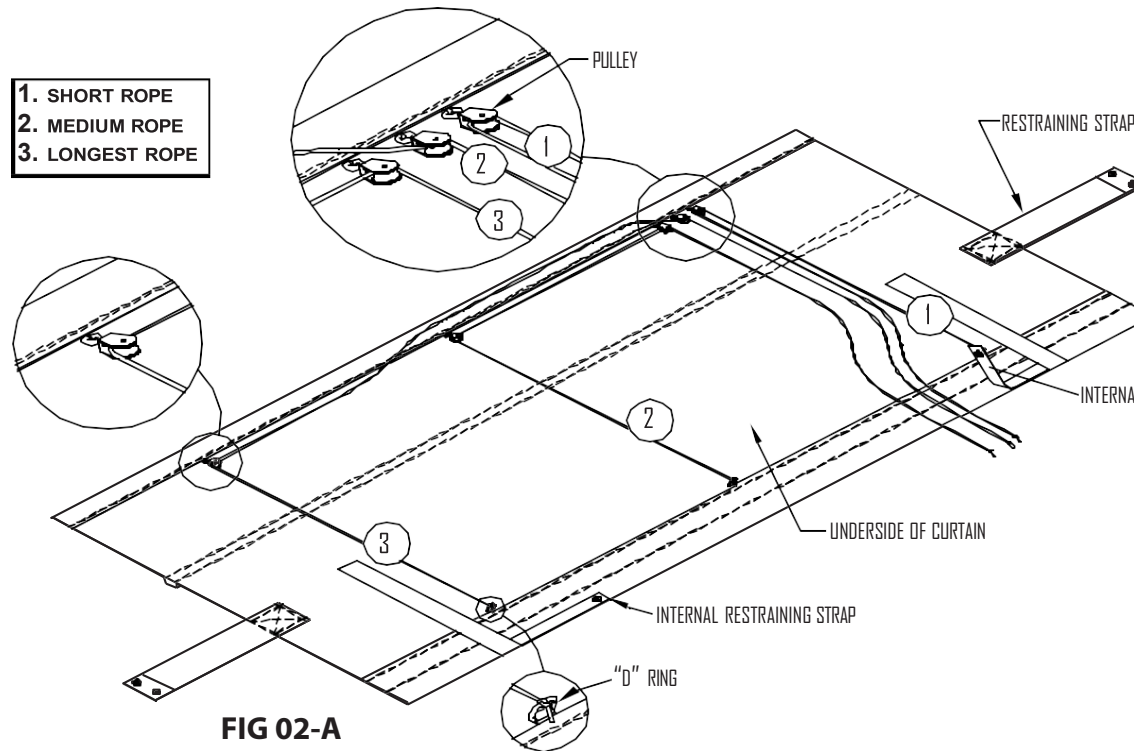
- Tie the three pull ropes to the cleat insuring the header curtain operate smoothly in the down and up positions.

NOTE: The curtain must remain in the up position until a truck has backed up to the bumper.

01-D. Continue to Step. 6.

INSTALLATION INSTRUCTIONS CONTINUED...

02. Split Head Curtain



02-A. Prepare Split Head Curtain

a. Attaching ropes.

- Lay Drop Curtain "B", face down on a clean surface.
- Feed pull ropes (3 different lengths) through the "D" rings and pulleys (Fig. 02-A).

NOTE: "D" rings and pulleys are sewn to the under side of fabric; therefore, lie the head curtain face down on the floor before proceeding.

Step 1: Attach shortest rope to first "D" ring at bottom of the curtain. Continue to feed rope through rest of "D" rings and through pulley.

Step 2: Repeat procedure for medium rope.

Step 3: Repeat procedure for the longest rope.

INSTALLATION INSTRUCTIONS CONTINUED...

02-B. Mounting Split Head Curtain

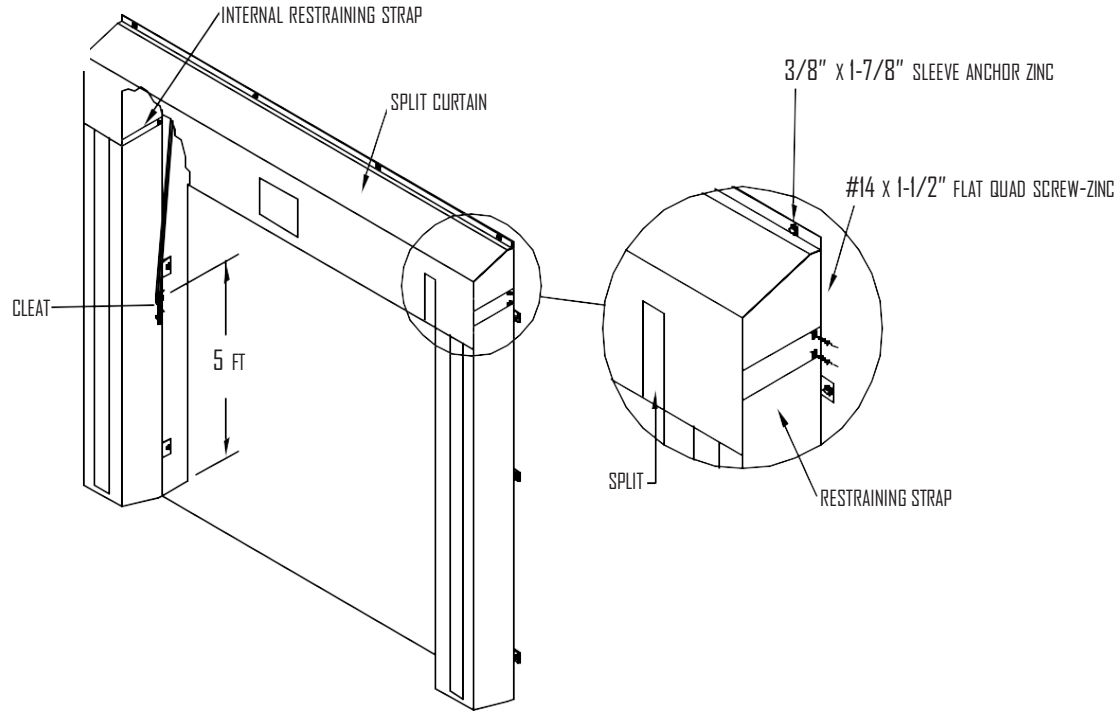


FIG 02-A

02-A. Prepare Split Head Curtain

- a. **Preparing curtain:** Collect curtain with the attached flat bar.
- b. **Attaching curtain to wall.**

- Fasten to wall using 3/8" x 1-7/8" sleeve anchor bolts at the marked hole locations.

NOTE: There are marks at the hole locations of the head curtain bar. Begin at centre and work outward to the ends.

- Each side of the header seal has two restraining strap(s) (Fig. 02-B) with two grommet holes each.
- These flaps should be mounted to the wood backing of the vertical seals using No. 14 wood screws.

02-C. Mount Cleat

- a. Location (viewing from outside of door to inside). See Fig 02-B:
 - Left jamb door opening, approximately 5 feet from dock floor.
 - Tie the three pull ropes to the cleat insuring the header curtain operate smoothly in the down and up positions.

NOTE: The curtain must remain in the up position until a truck has backed up to the bumper.

02-D Continue to Step. 6.

INSTALLATION INSTRUCTIONS CONTINUED...

03. Fixed Head Curtain

03-A. Prepare Fixed Head Curtain

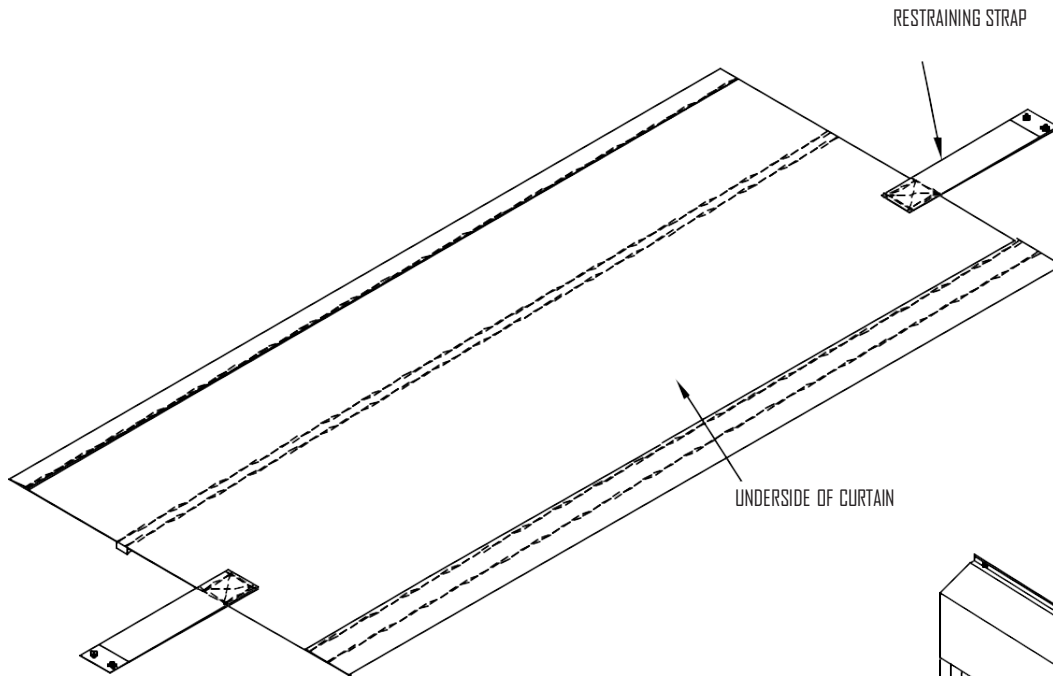


FIG 3-A

03-B. Mounting Fixed Head Curtain

- a. **Preparing Curtain:** Collect curtain with the attached flat bar.
- b. **Attaching Curtain To Wall.**

- Fasten to wall using 3/8" x 1-7/8" sleeve anchor bolts at the marked hole locations.

NOTE: There are marks at the hole locations of the head curtain bar. Begin at centre and work outward to the ends.

- Each side of the header seal has two restraining strap(s) (Fig. 03-B) with two grommet holes each.
- These flaps should be mounted to the wood backing of the vertical seals using No. 14 wood screws.

03-C. Continue to Step. 6.

6. Caulk Between Top Of The Header Curtain And Wall

- An outdoor acrylic type of caulking is recommended.

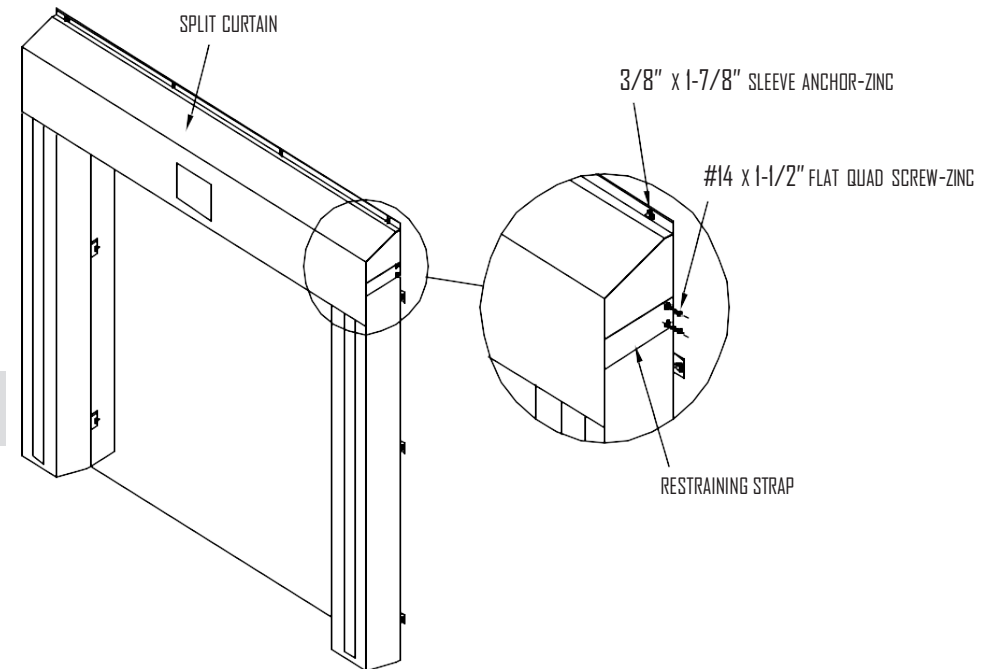


FIG 3-B