

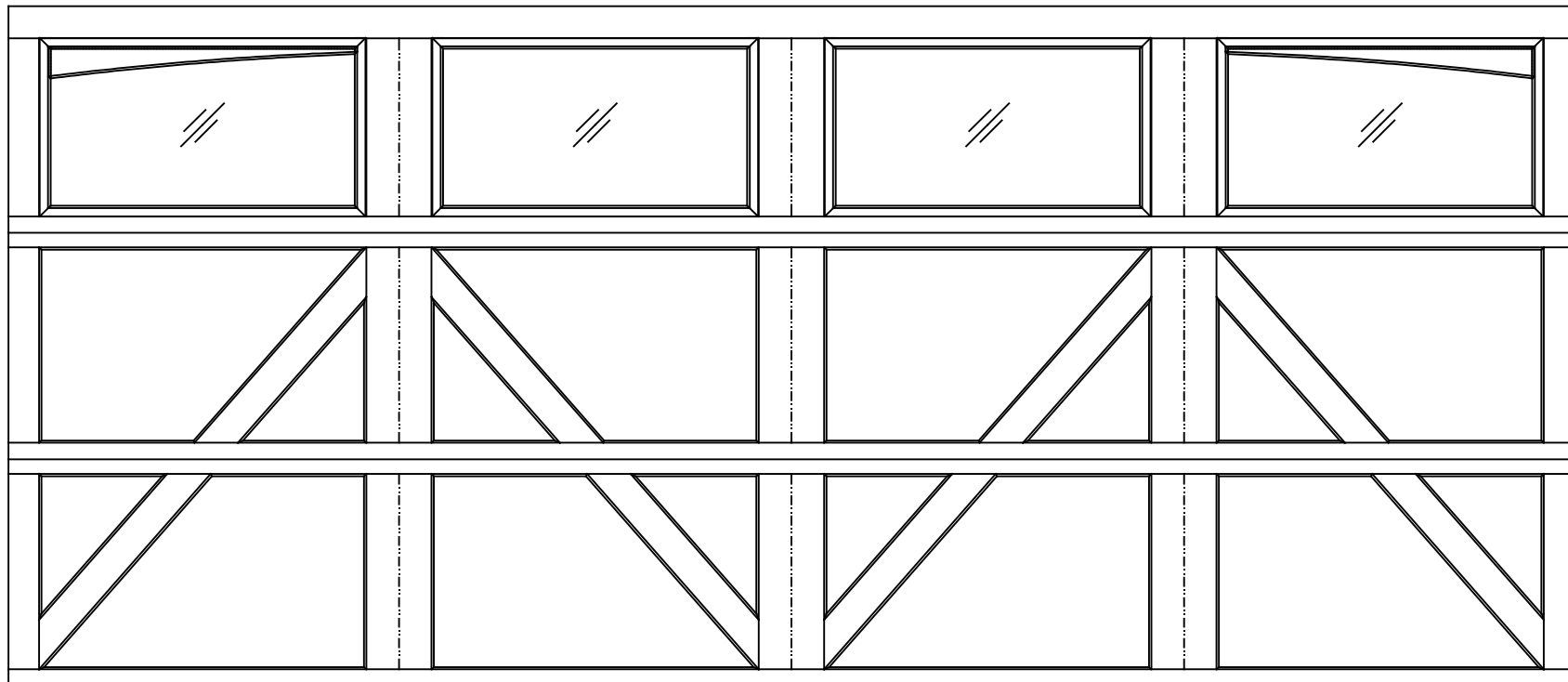


WAYNE-DALTON, A DIVISION OF THE  
OVERHEAD DOOR CORP.

# EXTERIOR VIEW

WAYNE-DALTON CONFIDENTIAL PROPRIETARY  
NOT TO BE DUPLICATED OR REPRINTED WITHOUT  
WRITTEN PERMISSION FROM OVERHEAD DOOR CORP.

[WWW.WAYNE-DALTON.COM](http://WWW.WAYNE-DALTON.COM)



16'0" X 7'0" 9700 CHARLESTON DESIGN  
3 SECTION/4 PANEL  
SINGLE PLAIN ARCHED TOP SECTION SHOWN  
(3) 27.73" SECTIONS