

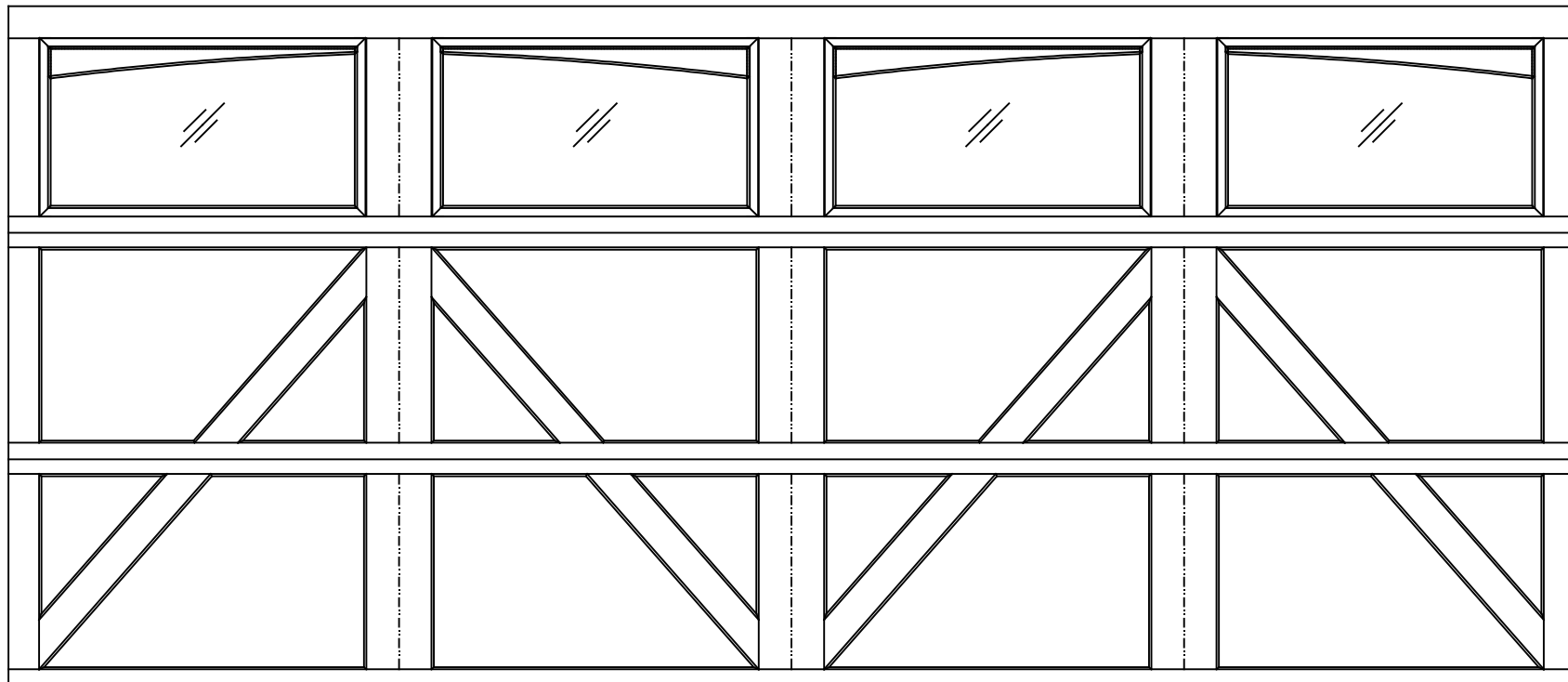


WAYNE-DALTON, A DIVISION OF THE
OVERHEAD DOOR CORP.

EXTERIOR VIEW

WAYNE-DALTON CONFIDENTIAL PROPRIETARY
NOT TO BE DUPLICATED OR REPRINTED WITHOUT
WRITTEN PERMISSION FROM OVERHEAD DOOR CORP.

WWW.WAYNE-DALTON.COM



16'0" X 7'0" 9700 CHARLESTON DESIGN
3 SECTION/4 PANEL
DOUBLE PLAIN ARCHED TOP SECTION SHOWN
(3) 27.73" SECTIONS