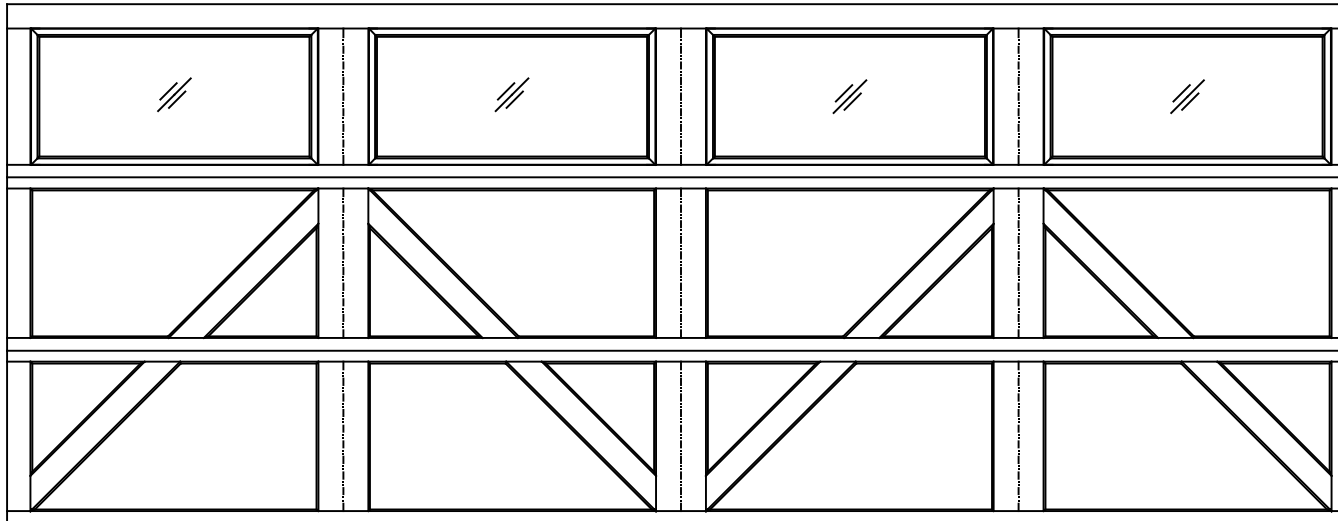


EXTERIOR VIEW



18'0" X 7'0" 9700 CHARLESTON DESIGN
3 SECTION/ 4 PANEL
PLAIN TOP SECTION SHOWN
(3) 27.73" SECTIONS