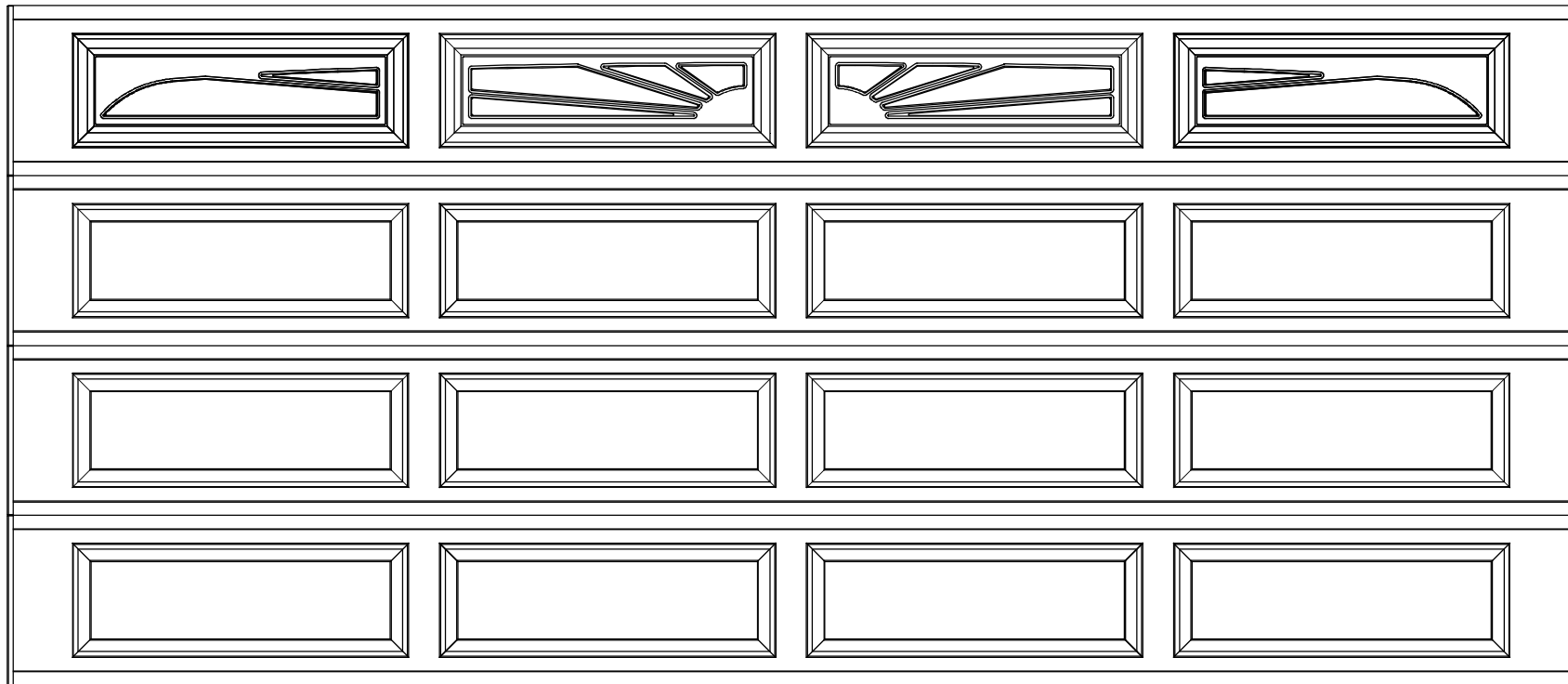


# EXTERIOR VIEW



16'0" X 7'0" 8300/8500 ERP DESIGN  
4 SECTION/ 4 PANEL  
SINGLE WILLIAMSBURG II TOP SECTION SHOWN  
(4) 20.8" SECTIONS