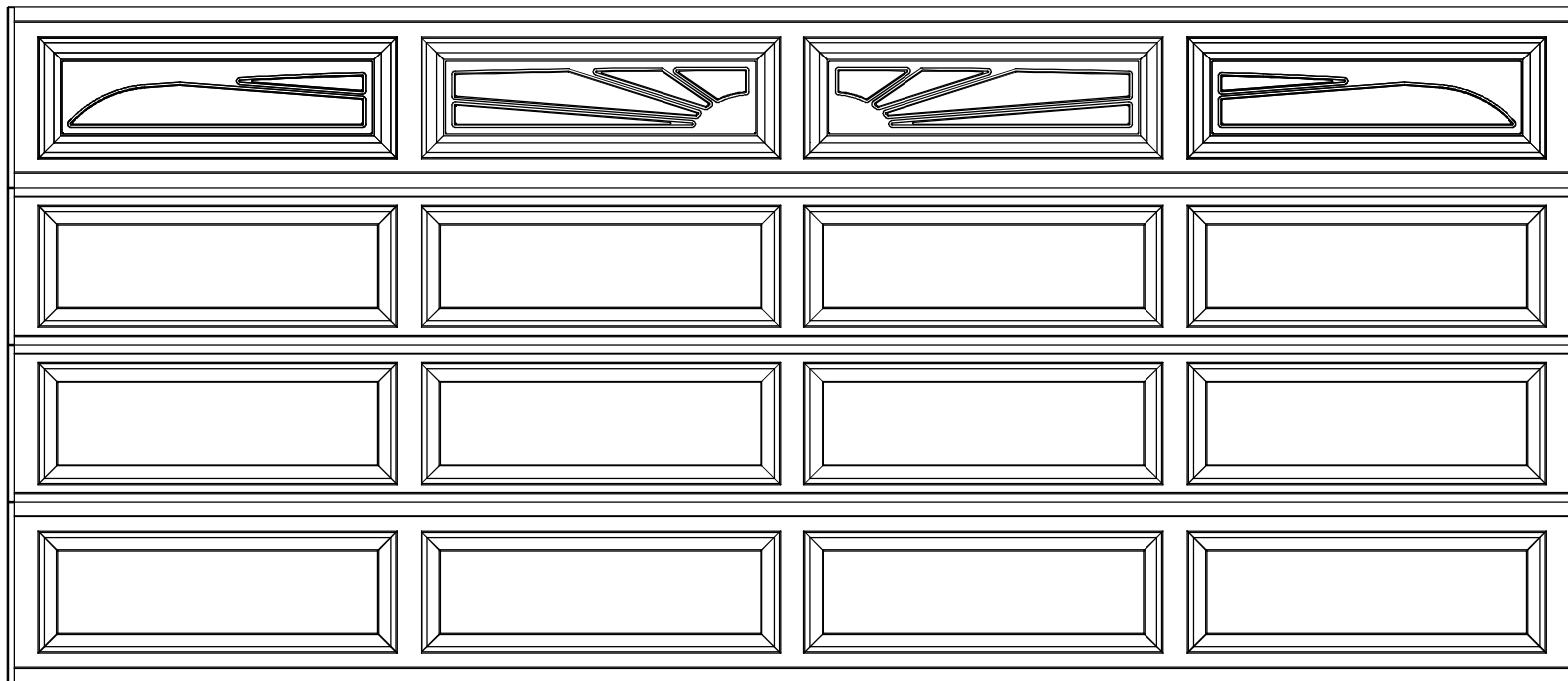


# EXTERIOR VIEW



15'0" X 6'6" 8300/8500 ERP DESIGN  
4 SECTION/ 4 PANEL  
SINGLE WILLIAMSBURG II TOP SECTION SHOWN  
(2) 18" & (2) 20.8" SECTIONS