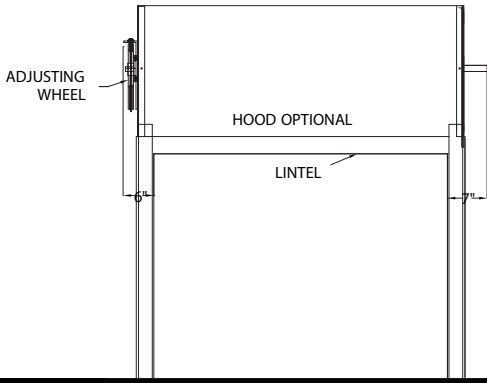
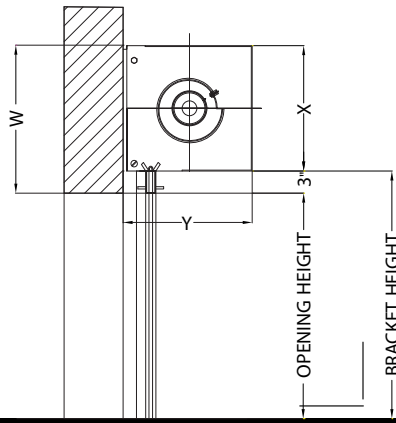


**MANUAL OPERATION**

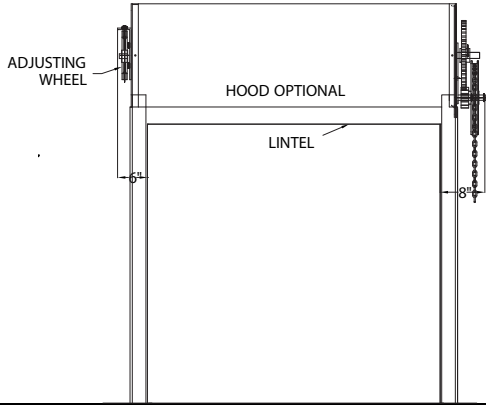


ELEVATION

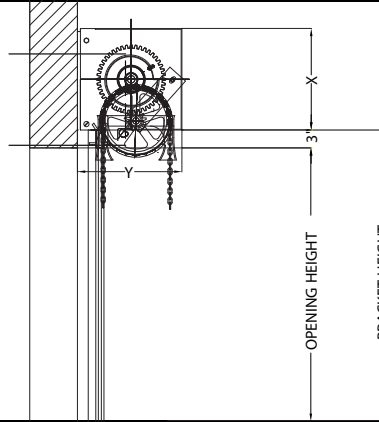


SECTION (FACE MOUNTED)

**CHAIN HOIST OPERATION**

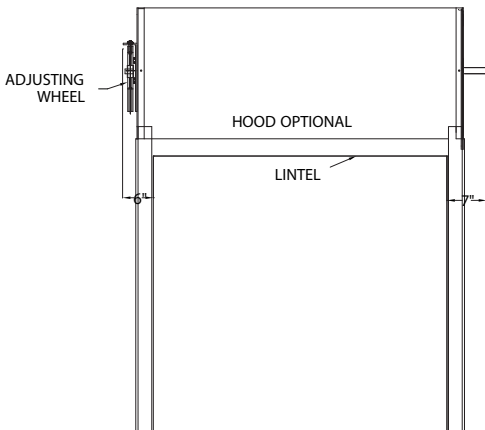


ELEVATION

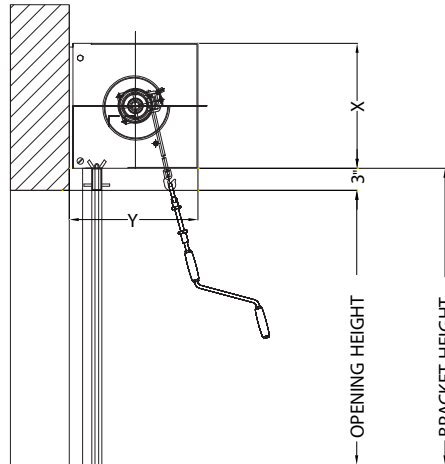


SECTION (FACE MOUNTED)

**AWNING CRANK OPERATION**

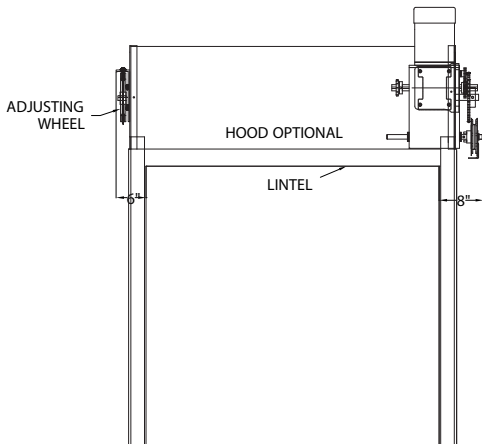


ELEVATION

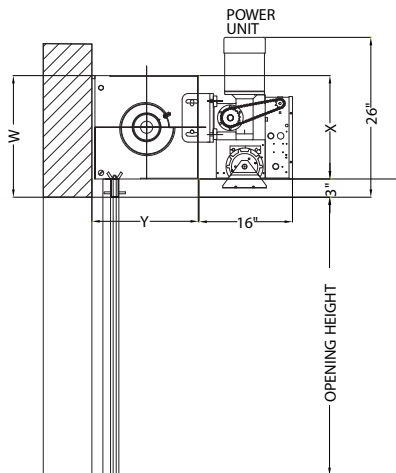


SECTION (FACE MOUNTED)

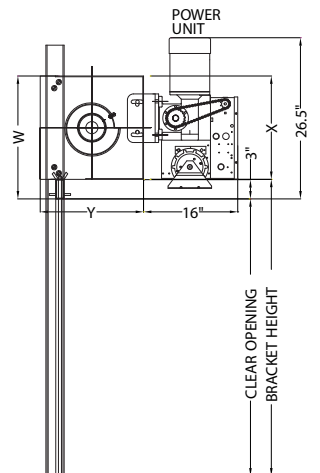
**MOTOR OPERATION**



ELEVATION



SECTION (FACE MOUNTED)



SECTION (UNDER LINTEL)

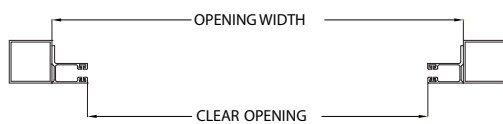
**MODEL 600 ALUMINUM GRILLE**

WIDTH	HEIGHT	BRACKET SIZE	X	Y	W	R	L
UP TO 30'	UP TO 6'-0"	14"	14"	14"	17"	SEE SKETCH	SEE SKETCH
UP TO 30'	6'-1" TO 7'-1"	15"	15"	15"	18"	SEE SKETCH	SEE SKETCH
UP TO 30'	7'-2" TO 7'-11"	16"	16"	16"	19"	SEE SKETCH	SEE SKETCH
UP TO 30'	8'-0" TO 10'-4"	17"	17"	17"	20"	SEE SKETCH	SEE SKETCH
UP TO 30'	10'-5" TO 12'-0"	18"	18"	18"	21"	SEE SKETCH	SEE SKETCH
UP TO 30'	12'-1" TO 14'-6"	19"	19"	19"	22"	SEE SKETCH	SEE SKETCH
UP TO 25'	UP TO 18'-0"	20"	20"	20"	23"	SEE SKETCH	SEE SKETCH
UP TO 30'	14'-7" TO 17'-2"	20"	20"	20"	23"	SEE SKETCH	SEE SKETCH
UP TO 25'	18'-1" TO 20'-0"	21"	21"	21"	24"	SEE SKETCH	SEE SKETCH
UP TO 30'	17'-3" TO 18'-0"	21"	21"	21"	24"	SEE SKETCH	SEE SKETCH
25'-1" TO 30'	18'-1" TO 20'-0"	23"	23"	23"	26"	SEE SKETCH	SEE SKETCH

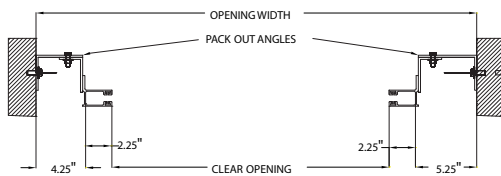
**MODEL 600 STEEL/STAINLESS STEEL GRILLE**

WIDTH	HEIGHT	BRACKET SIZE	X	Y	W	R	L
UP TO 16'	UP TO 20'-0"	21"	21"	21"	24"	SEE SKETCH	SEE SKETCH
UP TO 30'	UP TO 7'-11"	16"	16"	16"	19"	SEE SKETCH	SEE SKETCH
UP TO 30'	8'-0" TO 10'-0"	17"	17"	17"	20"	SEE SKETCH	SEE SKETCH
UP TO 30'	10'-1" TO 12'-0"	18"	18"	18"	21"	SEE SKETCH	SEE SKETCH
UP TO 30'	12'-1" TO 14'-0"	19"	19"	19"	22"	SEE SKETCH	SEE SKETCH
UP TO 30'	14'-1" TO 17'-0"	20"	20"	20"	23"	SEE SKETCH	SEE SKETCH
UP TO 30'	17'-1" TO 18'-0"	21"	21"	21"	24"	SEE SKETCH	SEE SKETCH
16'-1" TO 30'-0"	18'-1" TO 20'-0"	23"	23"	23"	26"	SEE SKETCH	SEE SKETCH

**COMMON GUIDE MOUNTING OPTIONS**



BETWEEN JAMBS



BETWEEN JAMBS WITH PACK OUT ANGLES



FACE MOUNTED