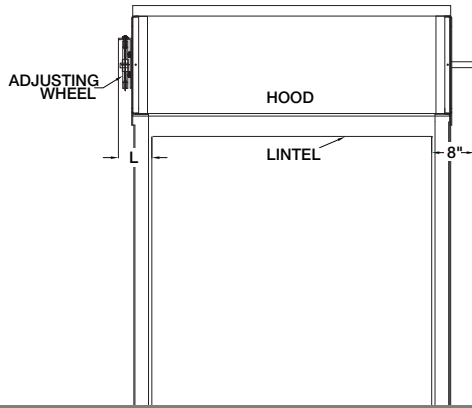
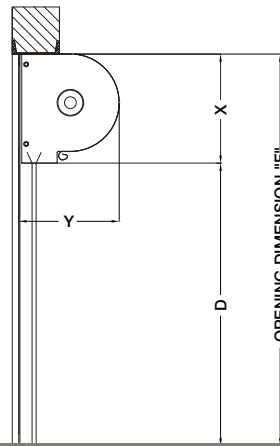


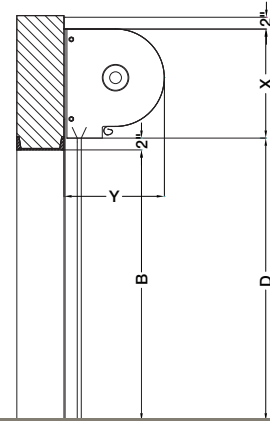
## MANUAL OPERATION



ELEVATION

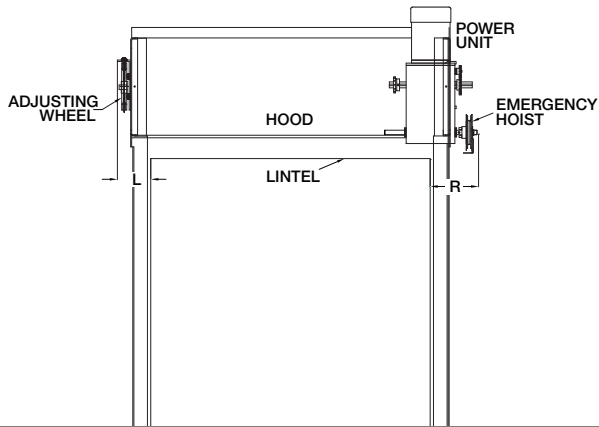


SECTION (BETWEEN JAMB)

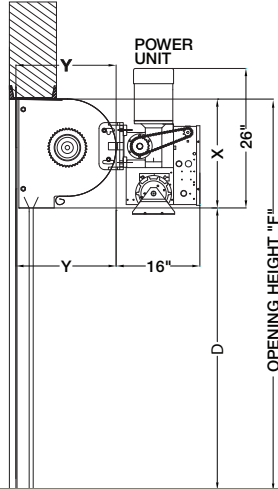


SECTION (FACE MOUNT)

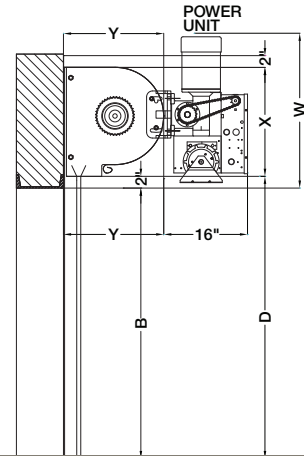
## BRACKET MOUNTED POWER UNIT



ELEVATION

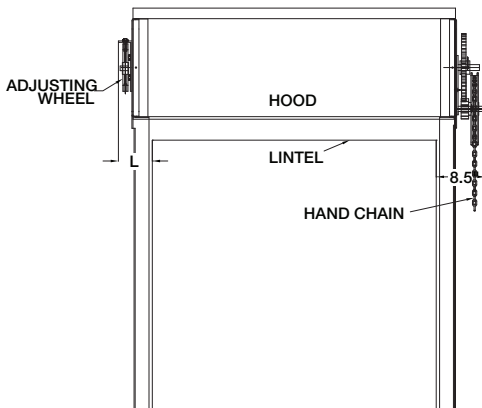


SECTION (BETWEEN JAMB)

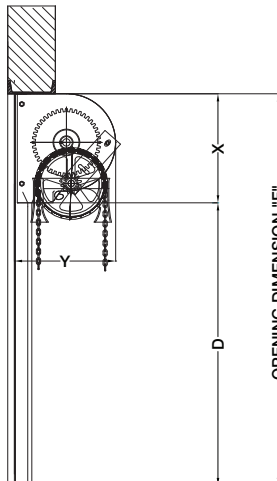


SECTION (FACE MOUNT)

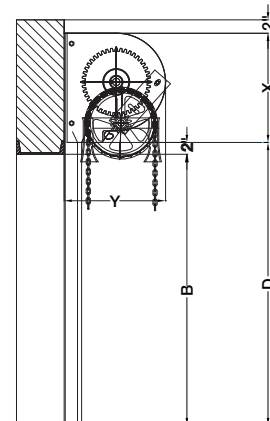
## CHAIN HOIST OPERATION



ELEVATION

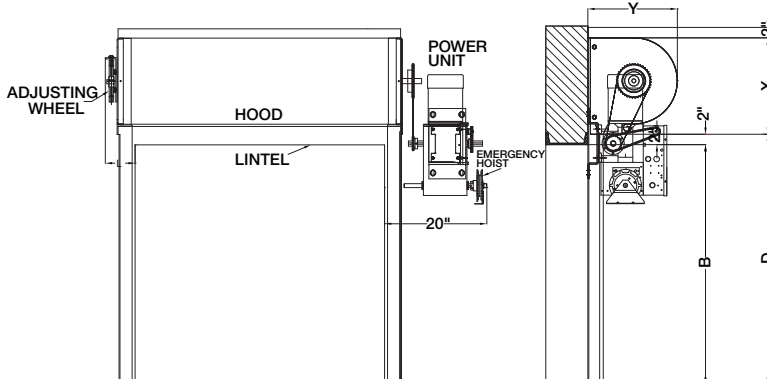


SECTION (BETWEEN JAMB)



SECTION (FACE MOUNT)

## WALL MOUNTED POWER UNIT

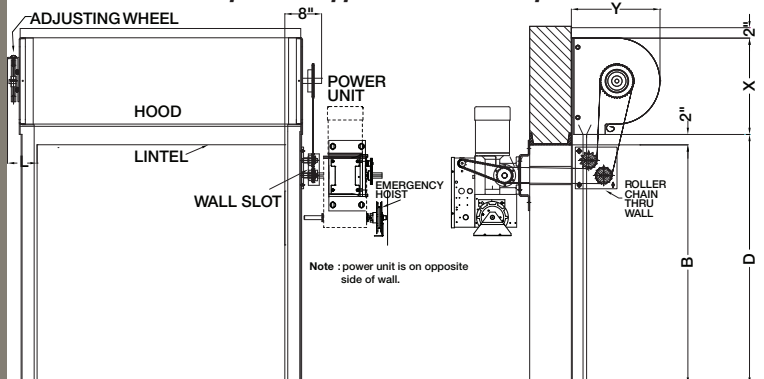


ELEVATION

SECTION (FACE MOUNT)

## THRU-WALL MOUNTED POWER UNIT

*Note: 20" sideroom required on opposite door side for power unit*



ELEVATION

SECTION (FACE MOUNT)

### Model 800C Face Mounted

Width A	HEIGHT B (OPENING HEIGHT)																	
	TO 10'0"			10'-1" TO 12'0"			12'-1" TO 14'0"			14'-1 TO 16'0"			16'-1" TO 18'0"			18'-1 TO 20'0"		
	BRACKET SIZE		SIDE ROOM	BRACKET SIZE		SIDE ROOM	BRACKET SIZE		SIDE ROOM	BRACKET SIZE		SIDE ROOM	BRACKET SIZE		SIDE ROOM	BRACKET SIZE		SIDE ROOM
	X & Y	R	L	X & Y	R	L	X & Y	R	L	X & Y	R	L	X & Y	R	L	X & Y	R	L
<b>CHAIN HOIST OPERATED</b>																		
TO 10'0"	20"	9"	7"	22"	9"	7"	24"	9"	7"	24"	9"	7"	26"	9"	7"	26"	9"	7"
10'1" TO 16'0"	20"	9"	7"	22"	9"	7"	24"	9"	7"	24"	9"	7"	26"	9"	7"	N/A	N/A	N/A
16'1" TO 20'0"	20"	9"	7"	22"	9"	7"	24"	9"	7"	24"	9"	7"	N/A	N/A	N/A	N/A	N/A	N/A
<b>MOTOR OPERATED</b>																		
TO 10'0"	20"	9"	7"	22"	9"	7"	24"	9"	7"	24"	9"	7"	26"	9"	7"	26"	9"	7"
10'1" TO 16'0"	20"	9"	7"	22"	9"	7"	24"	9"	7"	24"	9"	7"	26"	9"	7"	26"	9"	7"
16'1" TO 20'0"	20"	9"	7"	22"	9"	7"	24"	9"	7"	24"	9"	7"	26"	9"	7"	26"	9"	7"
<b>CRANK OPERATED—CONSULT FACTORY</b>																		

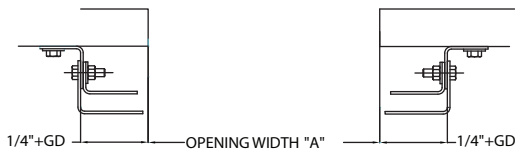
N/A = EXCEEDS HOIST EFFORT

NOTE: Dimensions are for general reference only and not for construction purposes.

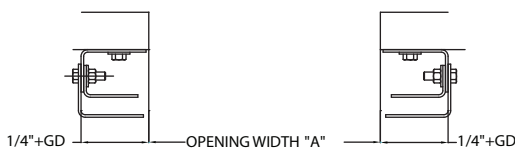
### Model 800C Between Jamb Mounted

Width A	HEIGHT B (OPENING HEIGHT)																	
	TO 10'0"			10'-1" TO 12'0"			12'-1" TO 14'0"			14'-1 TO 16'0"			16'-1" TO 18'0"			18'-1 TO 20'0"		
	BRACKET SIZE		SIDE ROOM	BRACKET SIZE		SIDE ROOM	BRACKET SIZE		SIDE ROOM	BRACKET SIZE		SIDE ROOM	BRACKET SIZE		SIDE ROOM	BRACKET SIZE		SIDE ROOM
	X & Y	R	L	X & Y	R	L	X & Y	R	L	X & Y	R	L	X & Y	R	L	X & Y	R	L
<b>CHAIN HOIST OPERATED</b>																		
TO 10'0"	18-1/2"	9"	7"	20"	9"	7"	22"	9"	7"	24"	9"	7"	24"	9"	7"	26"	9"	7"
10'1" TO 16'0"	18-1/2"	9"	7"	20"	9"	7"	22"	9"	7"	24"	9"	7"	24"	9"	7"	26"	9"	7"
16'1" TO 20'0"	18-1/2"	9"	7"	22"	9"	7"	22"	9"	7"	24"	9"	7"	24"	9"	7"	26"	9"	7"
<b>MOTOR OPERATED</b>																		
TO 10'0"	18-1/2"	9"	7"	20"	9"	7"	22"	9"	7"	24"	9"	7"	24"	9"	7"	26"	9"	7"
10'1" TO 16'0"	18-1/2"	9"	7"	20"	9"	7"	22"	9"	7"	24"	9"	7"	24"	9"	7"	26"	9"	7"
16'1" TO 20'0"	18-1/2"	9"	7"	20"	9"	7"	22"	9"	7"	24"	9"	7"	24"	9"	7"	26"	9"	7"
<b>CRANK OPERATED—CONSULT FACTORY</b>																		

#### ANGLE OR ROLLED GUIDES - FACE MOUNTED TO MASONRY

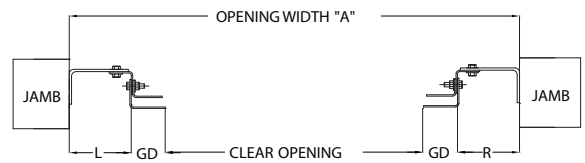


#### ANGLE OR ROLLED GUIDES - FACE MOUNTED TO STEEL

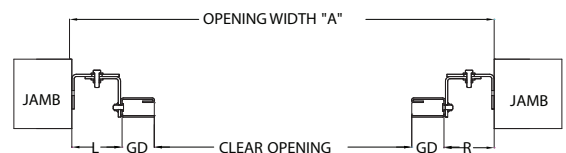


Model 800 C	
GD	WIDTH
2-3/4"	TO 28'0"
3-1/4"	28'-1" TO 30'0"

#### ANGLE GUIDES - MOUNTED BETWEEN JAMBS



#### ROLLED GUIDES - MOUNTED BETWEEN JAMBS



#### COMMON GUIDE MOUNTING OPTIONS