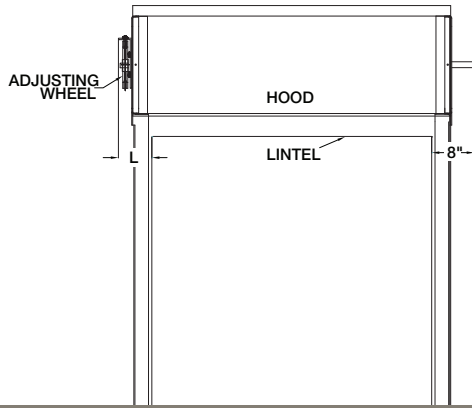
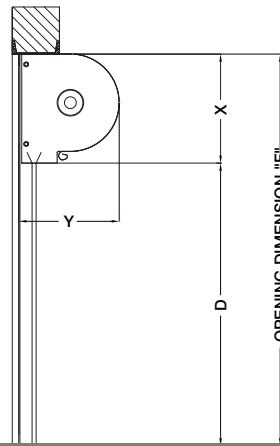


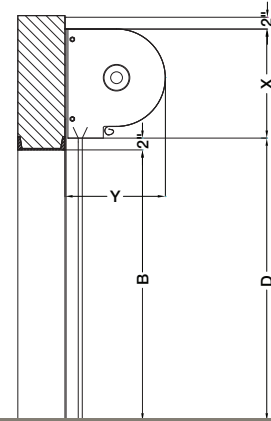
MANUAL OPERATION



ELEVATION

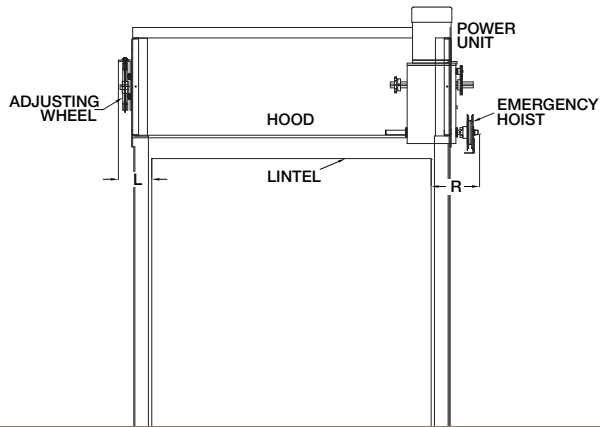


SECTION (BETWEEN JAMB)

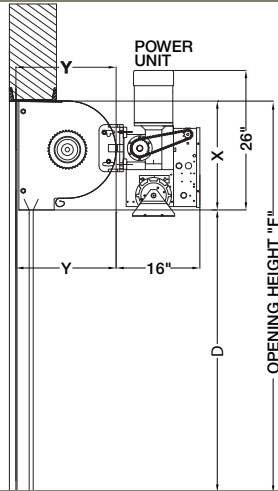


SECTION (FACE MOUNT)

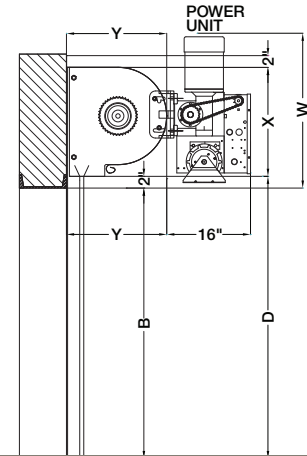
BRACKET MOUNTED POWER UNIT



ELEVATION

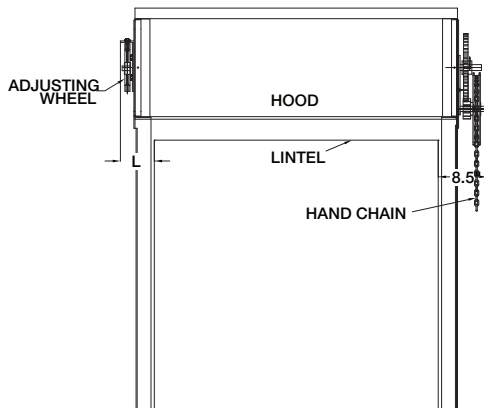


SECTION (BETWEEN JAMB)

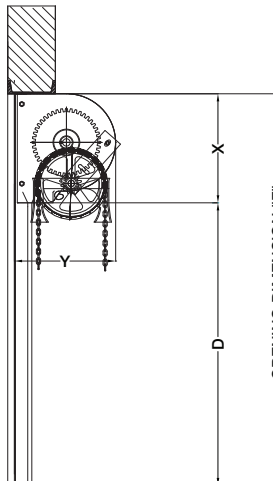


SECTION (FACE MOUNT)

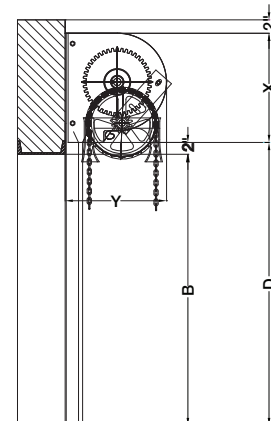
CHAIN HOIST OPERATION



ELEVATION

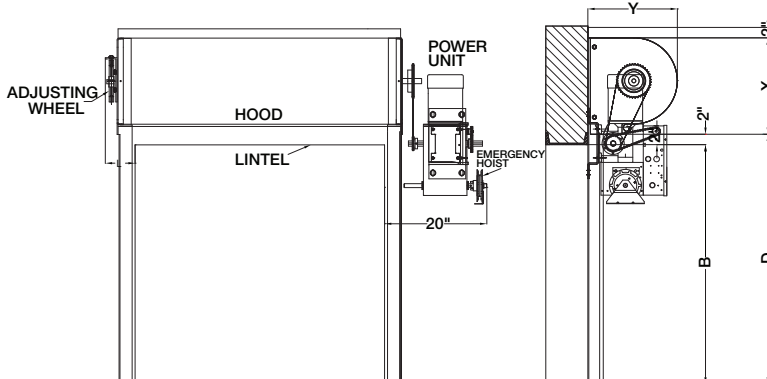


SECTION (BETWEEN JAMB)



SECTION (FACE MOUNT)

WALL MOUNTED POWER UNIT

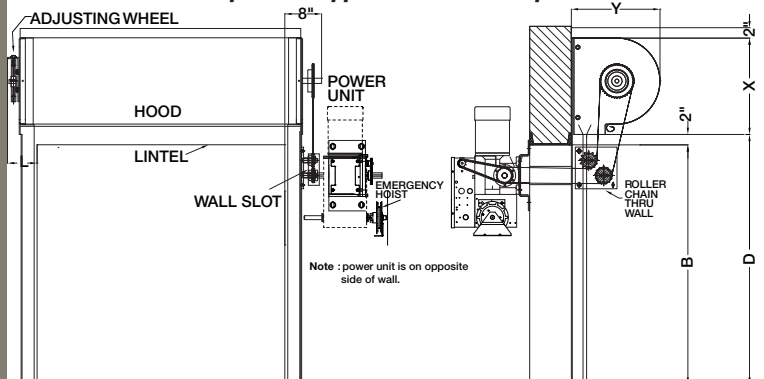


ELEVATION

SECTION (FACE MOUNT)

THRU-WALL MOUNTED POWER UNIT

Note: 20" sideroom required on opposite door side for power unit



ELEVATION

SECTION (FACE MOUNT)

Model 800 Face Mounted

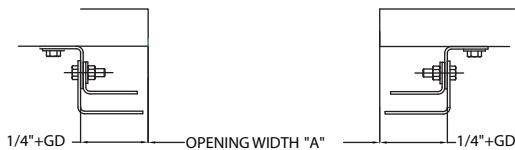
Width A	HEIGHT B (OPENING HEIGHT)																	
	TO 10'0"			10'-1" TO 12'0"			12'-1" TO 14'0"			14'-1 TO 16'0"			16'-1" TO 18'0"			18'-1 TO 20'0"		
	BRACKET SIZE		SIDE ROOM	BRACKET SIZE		SIDE ROOM	BRACKET SIZE		SIDE ROOM	BRACKET SIZE		SIDE ROOM	BRACKET SIZE		SIDE ROOM	BRACKET SIZE		SIDE ROOM
	X & Y	R	L	X & Y	R	L	X & Y	R	L	X & Y	R	L	X & Y	R	L	X & Y	R	L
CHAIN HOIST OPERATED																		
TO 10'0"	18-1/2"	9"	7"	20"	9"	7"	20"	9"	7"	22"	9"	7"	22"	9"	7"	22"	9"	7"
10'1" TO 16'0"	18-1/2"	9"	7"	20"	9"	7"	22"	9"	7"	22"	9"	7"	22"	9"	7"	24"	9"	7"
16'1" TO 20'0"	18-1/2"	9"	7"	20"	9"	7"	22"	9"	7"	22"	9"	7"	22"	9"	7"	24"	9"	7"
MOTOR OPERATED																		
TO 10'0"	18-1/2"	9"	7"	20"	9"	7"	20"	9"	7"	22"	9"	7"	22"	9"	7"	24"	9"	7"
10'1" TO 16'0"	18-1/2"	9"	7"	20"	9"	7"	22"	9"	7"	22"	9"	7"	22"	9"	7"	24"	9"	7"
16'1" TO 20'0"	18-1/2"	9"	7"	20"	9"	7"	22"	9"	7"	22"	9"	7"	22"	9"	7"	24"	9"	7"
CRANK OPERATED—CONSULT FACTORY																		

NOTE: Dimensions are for general reference only and not for construction purposes.

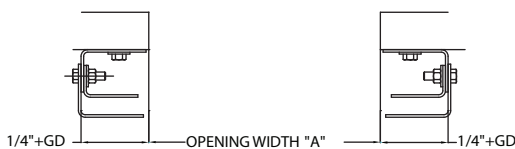
Model 800 Between Jamb Mounted

Width A	HEIGHT B (OPENING HEIGHT)																	
	TO 10'0"			10'-1" TO 12'0"			12'-1" TO 14'0"			14'-1 TO 16'0"			16'-1" TO 18'0"			18'-1 TO 20'0"		
	BRACKET SIZE		SIDE ROOM	BRACKET SIZE		SIDE ROOM	BRACKET SIZE		SIDE ROOM	BRACKET SIZE		SIDE ROOM	BRACKET SIZE		SIDE ROOM	BRACKET SIZE		SIDE ROOM
	X & Y	R	L	X & Y	R	L	X & Y	R	L	X & Y	R	L	X & Y	R	L	X & Y	R	L
CHAIN HOIST OPERATED																		
TO 10'0"	16-1/2"	9"	7"	18-1/2"	9"	7"	18-1/2"	9"	7"	20"	9"	7"	22"	9"	7"	22"	9"	7"
10'1" TO 16'0"	18-1/2"	9"	7"	18-1/2"	9"	7"	18-1/2"	9"	7"	20"	9"	7"	22"	9"	7"	22"	9"	7"
16'1" TO 20'0"	18-1/2"	9"	7"	20"	9"	7"	20"	9"	7"	20"	9"	7"	22"	9"	7"	22"	9"	7"
MOTOR OPERATED																		
TO 10'0"	16-1/2"	9"	7"	18-1/2"	9"	7"	18-1/2"	9"	7"	20"	9"	7"	22"	9"	7"	22"	9"	7"
10'1" TO 16'0"	18-1/2"	9"	7"	18-1/2"	9"	7"	18-1/2"	9"	7"	20"	9"	7"	22"	9"	7"	22"	9"	7"
16'1" TO 20'0"	18-1/2"	9"	7"	20"	9"	7"	20"	9"	7"	20"	9"	7"	22"	9"	7"	22"	9"	7"
CRANK OPERATED—CONSULT FACTORY																		

ANGLE OR ROLLED GUIDES - FACE MOUNTED TO MASONRY

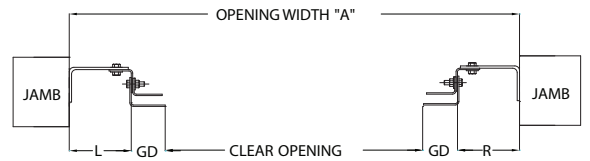


ANGLE OR ROLLED GUIDES - FACE MOUNTED TO STEEL

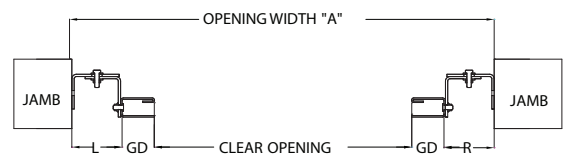


Model 800	
GD	WIDTH
2-3/4"	TO 28'0"
3-1/4"	28'-1" TO 30'0"

ANGLE GUIDES - MOUNTED BETWEEN JAMBS



ROLLED GUIDES - MOUNTED BETWEEN JAMBS



COMMON GUIDE MOUNTING OPTIONS