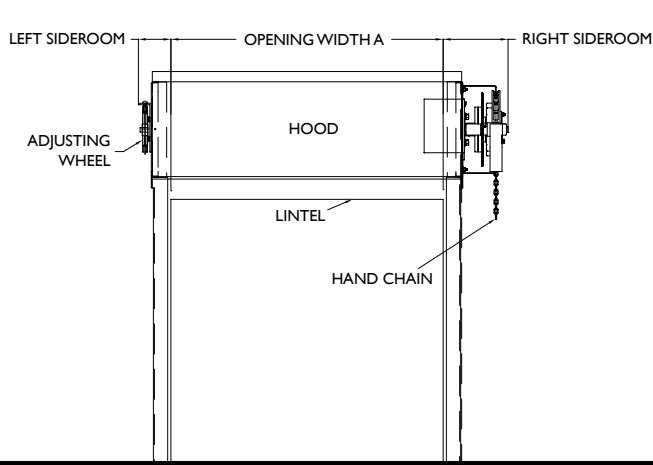
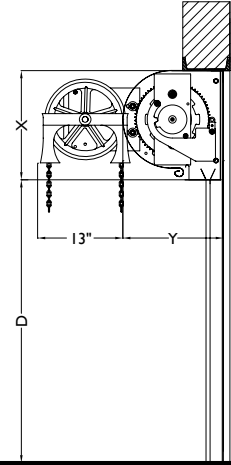


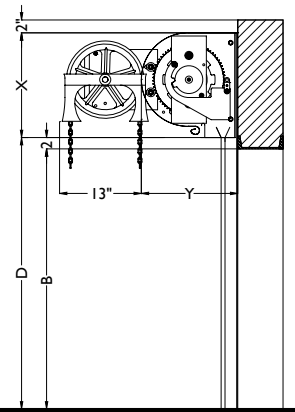
CHAIN HOIST OPERATION



FRONT ELEVATION

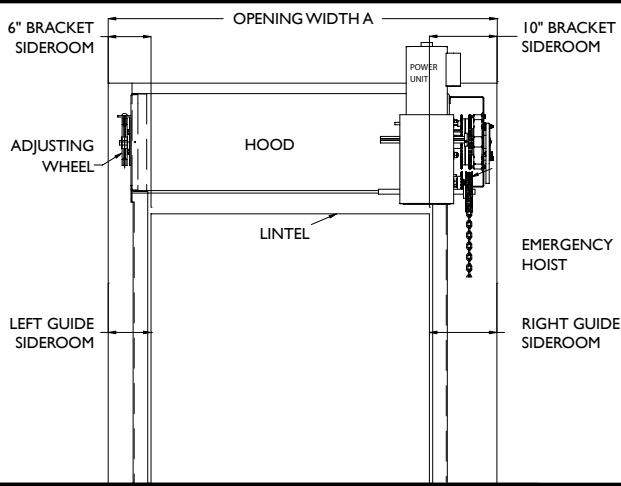


SIDE ELEVATION (BETWEEN JAMB)

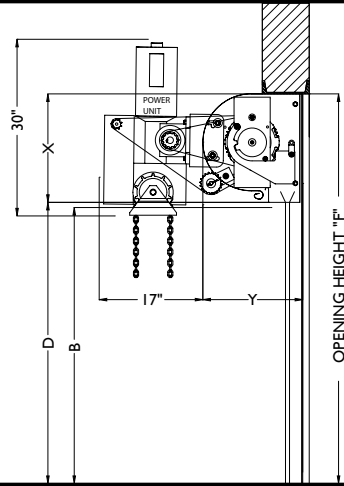


SIDE ELEVATION

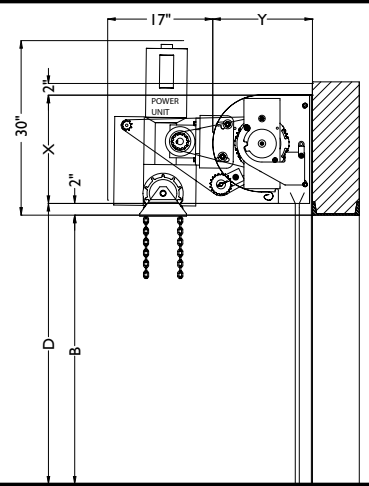
MOTOR OPERATION



FRONT ELEVATION

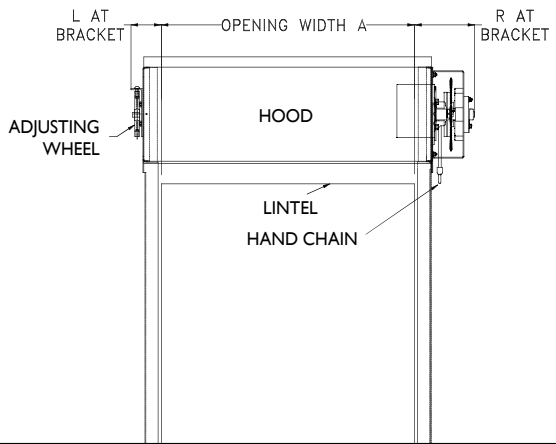


SIDE ELEVATION (BETWEEN JAMB)

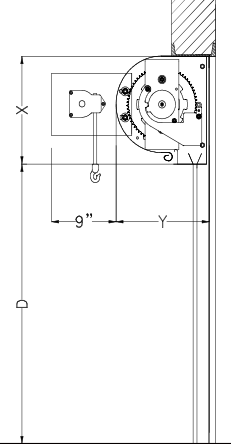


SIDE ELEVATION

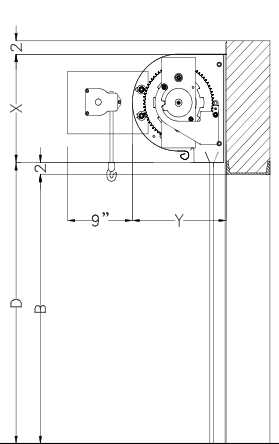
CRANK OPERATION



FRONT ELEVATION



SIDE ELEVATION (BETWEEN JAMB)



SIDE ELEVATION

Model 700C (Face Mounted - Chain Hoist/Motor/Crank)

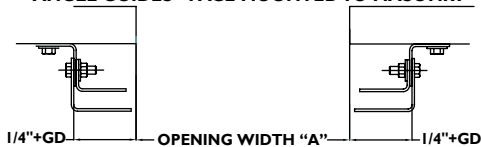
WIDTH A	HEIGHT B (OPENING HEIGHT)																											
	UP TO 10' 0"				10'-1" TO 12' 0"				12'-1" TO 14' 0"				14'-1" TO 16' 0"				16'-1" TO 18' 0"				18'-1" TO 20' 0"							
	BRACKET SIZE		SIDE ROOM		BRACKET SIZE		SIDE ROOM		BRACKET SIZE		SIDE ROOM		BRACKET SIZE		SIDE ROOM		BRACKET SIZE		SIDE ROOM		BRACKET SIZE		SIDE ROOM					
	X	Y	R	L	X	Y	R	L	X	Y	R	L	X	Y	R	L	X	Y	R	L	X	Y	R	L				
CHAIN HOIST OPERATED DOORS																												
TO 10' 0"	18-1/2"	17"	10"	6"	22"	21"	10"	6"	22"	21"	10"	6"	N/A	N/A	N/A	N/A	N/A	N/A	N/A	N/A	N/A	N/A	N/A	N/A	N/A	N/A	N/A	N/A
10'-1" TO 16'-0"	N/A	N/A	N/A	N/A	N/A	N/A	N/A	N/A	N/A	N/A	N/A	N/A	N/A	N/A	N/A	N/A	N/A	N/A	N/A	N/A	N/A	N/A	N/A	N/A	N/A	N/A	N/A	N/A
16'-1" TO 20' 0"	N/A	N/A	N/A	N/A	N/A	N/A	N/A	N/A	N/A	N/A	N/A	N/A	N/A	N/A	N/A	N/A	N/A	N/A	N/A	N/A	N/A	N/A	N/A	N/A	N/A	N/A	N/A	N/A
MOTOR OPERATED DOORS																												
TO 10' 0"	18-1/2"	17"	10"	6"	22"	21"	10"	6"	22"	21"	10"	6"	24"	23"	10"	6"	26"	25"	10"	6"	26"	25"	10"	6"	26"	25"	10"	6"
10'-1" TO 16'-0"	18-1/2"	17"	10"	6"	22"	21"	10"	6"	22"	21"	10"	6"	24"	23"	10"	6"	26"	25"	10"	6"	N/A	N/A	N/A	N/A	N/A	N/A	N/A	N/A
16'-1" TO 20' 0"	18-1/2"	17"	10"	6"	22"	21"	10"	6"	22"	21"	10"	6"	24"	23"	10"	6"	26"	25"	10"	6"	N/A	N/A	N/A	N/A	N/A	N/A	N/A	N/A
CRANK OPERATED - CONSULT FACTORY																												

Model 700C (Between Jambs Mounted - Chain Hoist/Motor/Crank)

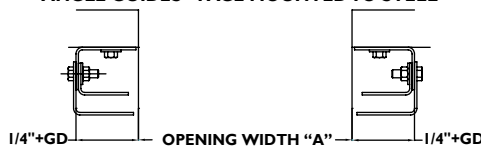
WIDTH A	HEIGHT B (OPENING HEIGHT)																											
	UP TO 10' 0"				10'-1" TO 12' 0"				12'-1" TO 14' 0"				14'-1" TO 16' 0"				16'-1" TO 18' 0"				18'-1" TO 20' 0"							
	BRACKET SIZE		SIDE ROOM		BRACKET SIZE		SIDE ROOM		BRACKET SIZE		SIDE ROOM		BRACKET SIZE		SIDE ROOM		BRACKET SIZE		SIDE ROOM		BRACKET SIZE		SIDE ROOM					
	X	Y	R	L	X	Y	R	L	X	Y	R	L	X	Y	R	L	X	Y	R	L	X	Y	R	L				
CHAIN HOIST OPERATED DOORS																												
TO 10' 0"	22"	21"	10"	6"	22"	21"	10"	6"	22"	21"	10"	6"	22"	21"	10"	6"	N/A	N/A	N/A	N/A	N/A	N/A	N/A	N/A	N/A	N/A	N/A	N/A
10'-1" TO 16'-0"	18-1/2"	17"	10"	6"	N/A	N/A	N/A	N/A	N/A	N/A	N/A	N/A	N/A	N/A	N/A	N/A	N/A	N/A	N/A	N/A	N/A	N/A	N/A	N/A	N/A	N/A	N/A	N/A
16'-1" TO 20' 0"	N/A	N/A	N/A	N/A	N/A	N/A	N/A	N/A	N/A	N/A	N/A	N/A	N/A	N/A	N/A	N/A	N/A	N/A	N/A	N/A	N/A	N/A	N/A	N/A	N/A	N/A	N/A	N/A
MOTOR OPERATED DOORS																												
TO 10' 0"	18-1/2"	17"	10"	6"	22"	21"	10"	6"	22"	21"	10"	6"	22"	21"	10"	6"	24"	23"	10"	6"	24"	23"	10"	6"	24"	23"	10"	6"
10'-1" TO 16'-0"	18-1/2"	17"	10"	6"	22"	21"	10"	6"	22"	21"	10"	6"	22"	21"	10"	6"	24"	23"	10"	6"	26"	25"	10"	6"	26"	25"	10"	6"
16'-1" TO 20' 0"	20"	19"	10"	6"	22"	21"	10"	6"	22"	21"	10"	6"	22"	21"	10"	6"	24"	23"	10"	6"	N/A	N/A	N/A	N/A	N/A	N/A	N/A	N/A
CRANK OPERATED - CONSULT FACTORY																												

NOTE: Dimensions are for general reference only and not for construction purposes.

ANGLE GUIDES - FACE MOUNTED TO MASONRY

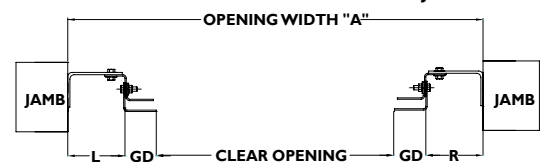


ANGLE GUIDES - FACE MOUNTED TO STEEL



MODEL 700C	
GD	WIDTH
2 7/8"	TO 13'6"
2 1/2"	13'7" TO 20'0"
3 1/4"	20'-1" TO 24'0"

ANGLE GUIDES - MOUNTED BETWEEN JAMBS



NOTE: Dimensions are for general reference only and not for construction purposes.