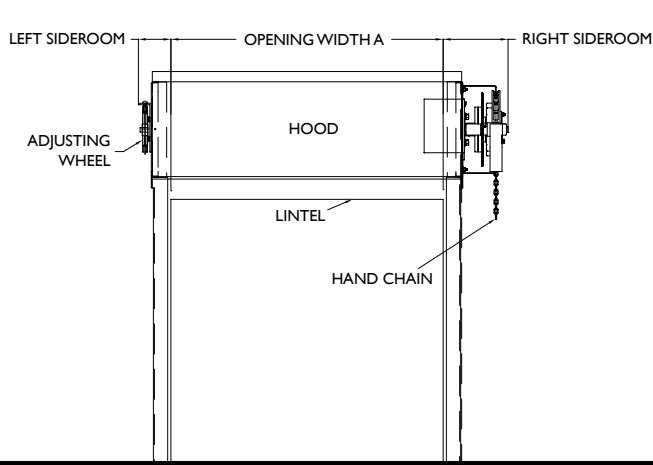
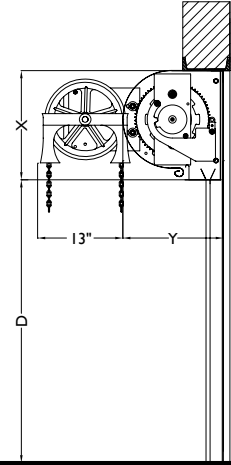


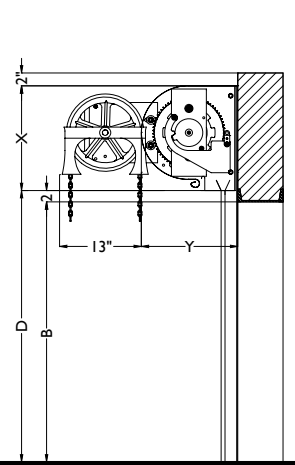
CHAIN HOIST OPERATION



FRONT ELEVATION

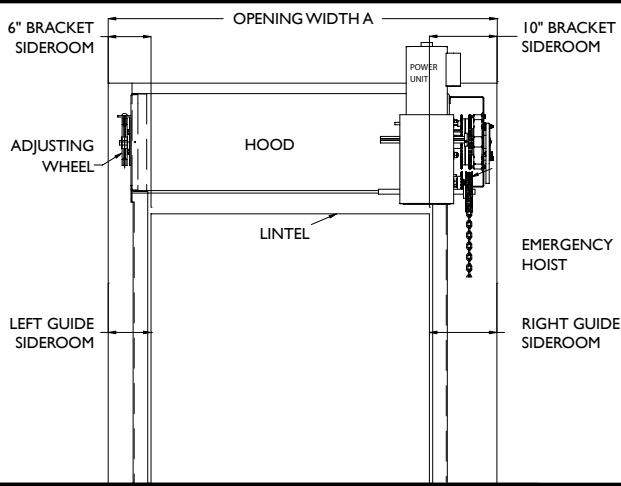


SIDE ELEVATION (BETWEEN JAMB)

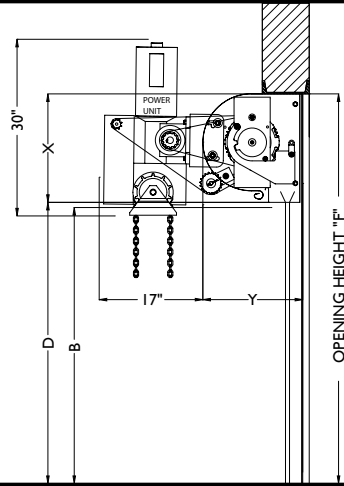


SIDE ELEVATION

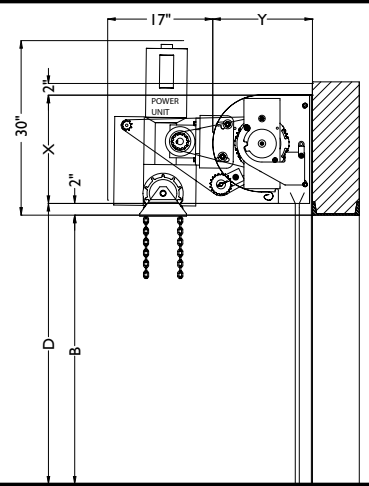
MOTOR OPERATION



FRONT ELEVATION

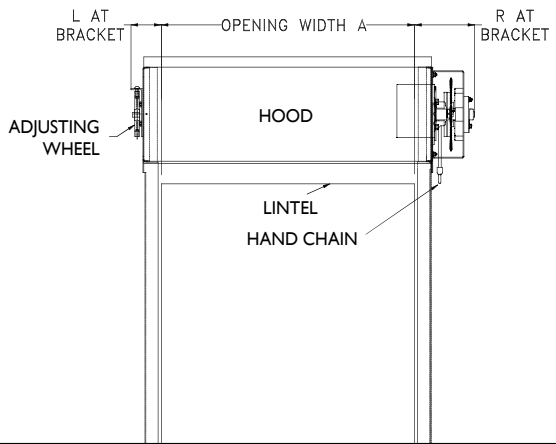


SIDE ELEVATION (BETWEEN JAMB)

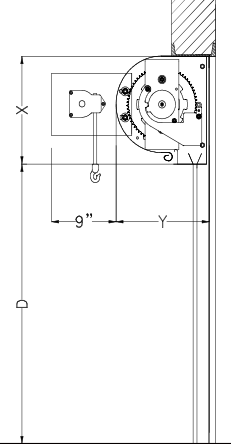


SIDE ELEVATION

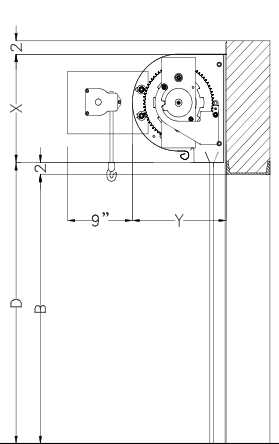
CRANK OPERATION



FRONT ELEVATION

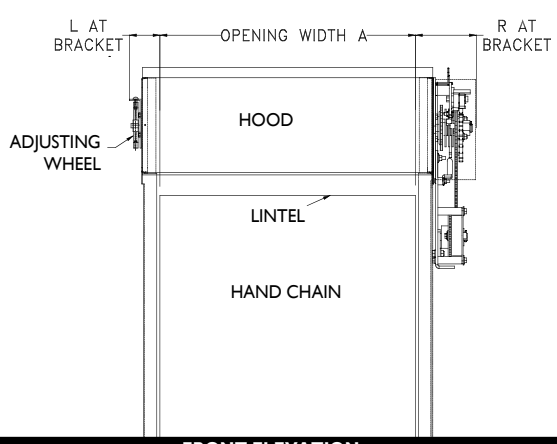


SIDE ELEVATION (BETWEEN JAMB)

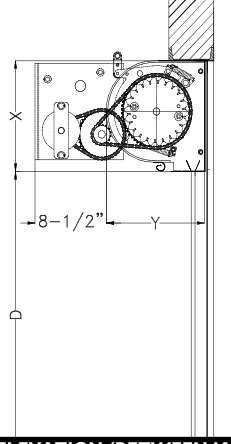


SIDE ELEVATION

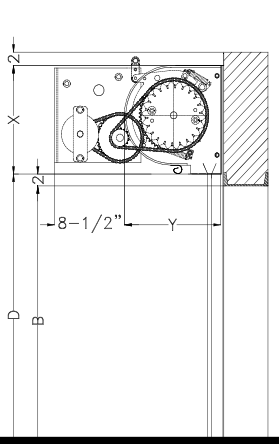
LIFT UP OPERATION FRONT MOUNT



FRONT ELEVATION

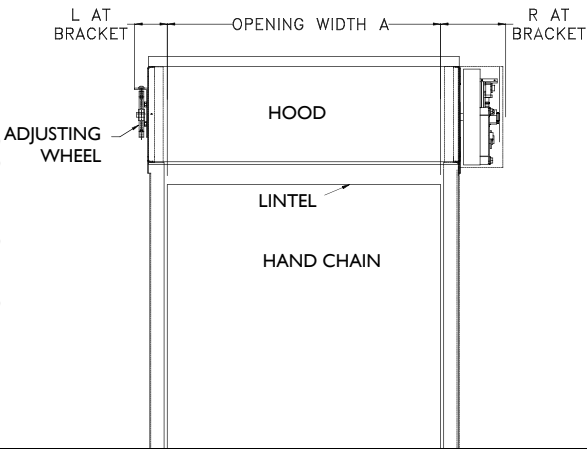


SIDE ELEVATION (BETWEEN JAMB)

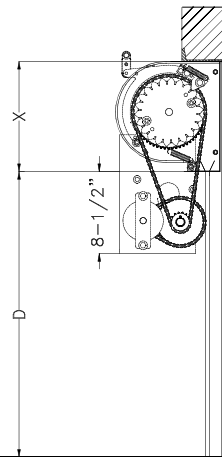


SIDE ELEVATION

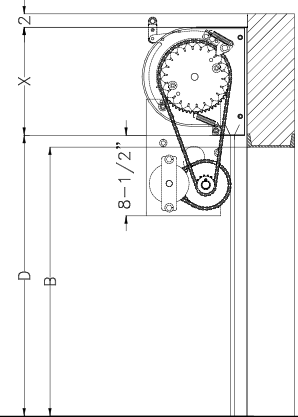
LIFT UP OPERATION
BOTTOM MOUNT



FRONT ELEVATION



SIDE ELEVATION (BETWEEN JAMB)



SIDE ELEVATION

MODEL 700 FACE MOUNTED CHAIN HOIST/MOTOR/CRANK

Width A	HEIGHT B (OPENING HEIGHT)															
	9'0"				9'1" TO 14'0"				14'1" TO 18'0"				18'1" TO 24'0"			
	BRACKET SIZE		SIDE ROOM		BRACKET SIZE		SIDE ROOM		BRACKET SIZE		SIDE ROOM		BRACKET SIZE		SIDE ROOM	
	X	Y	R	L	X	Y	R	L	X	Y	R	L	X	Y	R	L
2" SLAT																
Up to 20'0"	16-1/2"	15"	10"	6"	18-1/2"	17"	10"	6"	20"	19"	10"	6"	22"	21"	10"	6"
3" SLAT																
UP TO 24'0"	16-1/2"	15"	10"	6"	20"	19"	10"	6"	22"	21"	10"	6"	24"	23"	10"	6"

NOTE: 24' height or 24' width or 400sqft max for 22ga.
Crank limits are 14' height or 12' width or 168sqft.

**MODEL 700
Face Mounted-Lift up**

Width A	HEIGHT B (OPENING HEIGHT)			
	8'0"			
	BRACKET SIZE		SIDE ROOM	
	X	Y	R	L
2" SLAT				
Up to 10'0"	16-1/2"	15"	10"	8"
3" SLAT				
Up to 10'0"	18-1/2"	17"	10"	8"

NOTE: Manual lift 2"Slat-up 10' wide or 8' high or 80sqft.
Manual lift 3"Slat-up 8' wide or 8' high or 80sqft.

MODEL 700 BETWEEN JAMBS MOUNTED CHAIN HOIST/MOTOR/CRANK

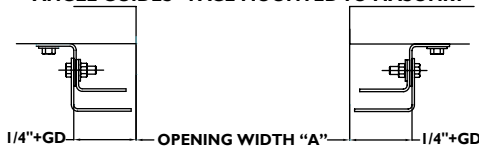
Width A	HEIGHT B (OPENING HEIGHT)															
	9'0"				9'1" TO 14'0"				14'1" TO 18'0"				18'1" TO 24'0"			
	BRACKET SIZE		SIDE ROOM		BRACKET SIZE		SIDE ROOM		BRACKET SIZE		SIDE ROOM		BRACKET SIZE		SIDE ROOM	
	X	Y	R	L	X	Y	R	L	X	Y	R	L	X	Y	R	L
2" SLAT																
Up to 20'0"	16-1/2"	15"	7-1/6"	9-1/6"	18-1/2"	17"	7-1/6"	9-1/6"	20"	19"	7-1/6"	9-1/6"	20"	19"	7-1/6"	9-1/6"
3" SLAT																
UP TO 24'0"	16-1/2"	15"	7-1/6"	9-1/6"	18-1/2"	17"	7-1/6"	9-1/6"	22"	21"	7-1/6"	9-1/6"	24"	23"	7-1/6"	9-1/6"

NOTE: 24' height or 24' width or 400sqft max for 22ga.
Crank limits are 14' height or 12' width or 168sqft.

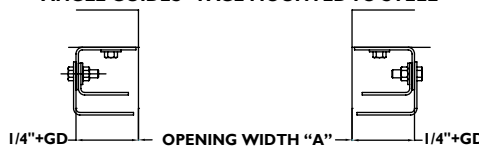
**MODEL 700
Between Jambs Mounted-Lift up**

Width A	HEIGHT B (OPENING HEIGHT)			
	8'0"			
	BRACKET SIZE		SIDE ROOM	
	X	Y	R	L
2" SLAT				
Up to 10'0"	16-1/2"	15"	10"	6"
3" SLAT				
Up to 10'0"	18-1/2"	17"	10"	6"

ANGLE GUIDES - FACE MOUNTED TO MASONRY

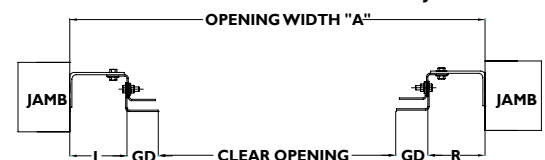


ANGLE GUIDES - FACE MOUNTED TO STEEL



MODEL 700	
GD	WIDTH
2 7/8"	TO 13'6"
2 1/2"	13'7" TO 20'0"
3 1/4"	20'-1" TO 24'0"

ANGLE GUIDES - MOUNTED BETWEEN JAMBS



NOTE: Dimensions are for general reference only and not for construction purposes.