

FIRESTAR® MODELS 540/550 FIRE-RATED COUNTER SHUTTERS



A REVOLUTIONARY COUNTER SHUTTER THAT LOOKS GREAT WHILE PROVIDING FIRE-RATED PROTECTION AND UNIQUE TESTING FEATURES

The FireStar® Fire-Rated Counter Shutters meet the demands of applications that require a pleasing appearance combined with certified and labeled fire protection for your property. Our innovative and exclusive design provides lift-up operation that is extremely easy to test and does not require tools to reset the mechanism. As an added bonus, the design offers very quiet and smooth functionality.

Firestar® Fire-Rated Counter Shutters are an ideal choice for schools, concessions, hospitals, cafeterias and retail settings.

- STANDARD SIZES UP TO 16' WIDE AND 8' HIGH
- EASY TO TEST
- NON-TENSION RELEASE
- FLOOR RESETTABLE
- QUIET OPERATION
- UL/ULC/FM RATED
- CONFORMS TO NFPA 80 STANDARD

FIRESTAR® MODELS 540/550

STANDARD FEATURES OVERVIEW

CONSTRUCTION

MAX WIDTH	16' (4,877 mm)
MAX HEIGHT	8' (2,438 mm)
MATERIAL	Model 540: 22-gauge galvanized steel primed white, gray, brown or beige Model 550: 22-gauge stainless steel #4 finish
CURTAIN	Interlocking roll-formed slats with alternate slats fitted with metal endlocks
BOTTOM BAR	Channel type
BRACKETS	Steel plates enclose ends of coil and provide support for counterbalance pipe at each end
COUNTER BALANCE	Curtain to be balanced by helical springs, oil tempered torsion type. Cast iron barrel plugs will be used to anchor springs to tension shaft and pipe. 20,000 cycle
HOOD	24-gauge galvanized steel with paint (540) or stainless steel (550) hood
FINISH	Rust inhibitive primer on non-galvanized surfaces and operating mechanisms. Guides and brackets will be coated with a flat black prime paint
OPERATION	Manual lift-up standard
RELEASE MECHANISM	FireStar® release mechanism standard on shutters up to 24' x 24'
VISCOUS GOVERNOR	If required by size of door
MOUNTING	Steel, masonry, fire rated wood, fire rated drywall, 16 + gauge steel jambs

WARRANTY

TERMS	Two (2) year limited
-------	----------------------

OPTIONS

- 540: 20-gauge galvanized steel primed and painted
- Vision FireLites*
- FM label option to include hood with steel baffle
- Chain hoist with gear drive reduction
- Wall crank box
- Motor operation
- Electrical or pneumatic sensing edge
- Powder coat finish
- Smoke seal
- Genie Fire Door Release Device
- Horns and strobes
- Smoke detector

*FireLite is a trademark of Nippon Electric Glass Company

FireStar® Fire-Rated Counter Shutters are a simple and innovative solution for your safety and fire protection needs.

Critical elements necessary in the reliable function of fire doors are incorporated as standard features with the FireStar® revolutionary design.

By eliminating one of the fusible link cables, the door and surrounding area look cleaner and less cluttered. It also reduces the risk of cable interference with other nearby fixtures while making installation and drop testing easier.

EASY MAINTENANCE

Unique clean design eliminates excess cables for ease of installation, testing and maintenance.



NO. 17

Flat-faced slat in 22-gauge steel or stainless steel.



GUIDE ASSEMBLY

Sleek 2-piece guide assembly provides better aesthetic appeal and allows for easier installation.

FINISH OPTIONS

Available in 24, 22, 20 gauge galvanized steel



White



Gray



Beige



Brown

Actual colors may vary from brochure due to fluctuations in the printing process. Always request a color sample from your Wayne Dalton dealer for accurate color matching.

FIRE-RATED COUNTER SHUTTERS



Test Device — FireStar® Counter Shutters feature an easy-to-use release handle

SAFETY

The FireStar® counter shutter can be drop tested easily and reset in a matter of seconds at any time, no tools or service technicians are required.

Drop testing can be done in addition to the doors required annual inspection by a trained door systems technician.

By self-testing throughout the year, facility personnel can be even more confident that their door will function safely in the event of fire.

ACCESSORIES



Genie Fire Door Release Device



Horns and Strobes



Smoke Detectors

RELIABILITY

FireStar® Counter Shutters are tested and approved to meet the requirements of Underwriters Laboratories, Factory Mutual, and NFPA 80 Standard.





Test Device — FireStar® doors feature an easy-to-use release handle.

FIRESTAR® DOOR CONTROL DEVICES

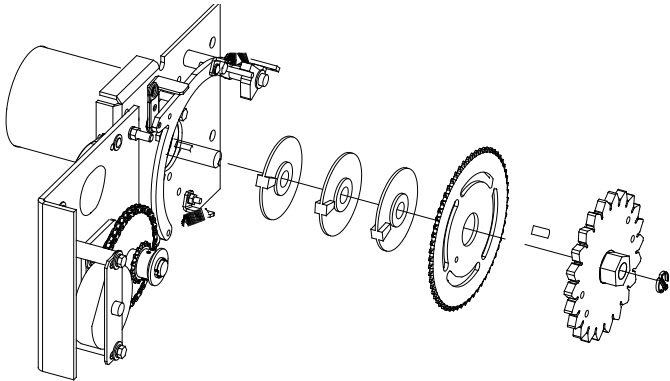
Chain hoist and motor operation

- Revolutionary fire door control device utilizing a planetary gear arrangement to disconnect the operator and drop the door in the event of a fire.
- Easily drop test and reset a fire door without resetting spring tension and rerouting cables.



Lift-up and crank operation

- Revolutionary fire door control device utilizing clutch plates and unique counterbalance technology to drop the door in the event of a fire.



 **Architect Resource**



Scan the QR code to go to our Architect Resource Center. In this tool, you will quickly find all of the specifications, drawings and documents you need for your project.

Wayne  Dalton™

DISTRIBUTED BY:

2501 S. State Hwy. 121 Bus., Ste 200
Lewisville, TX 75067

wayne-dalton.com

