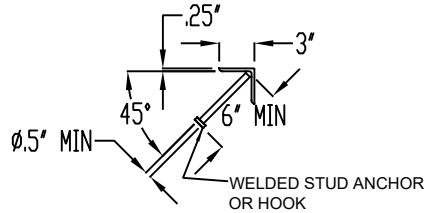
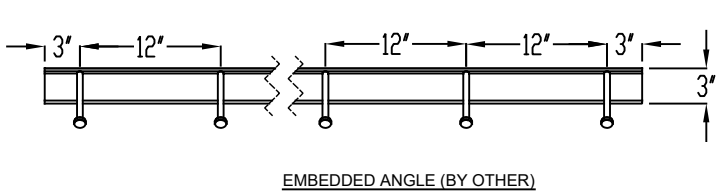
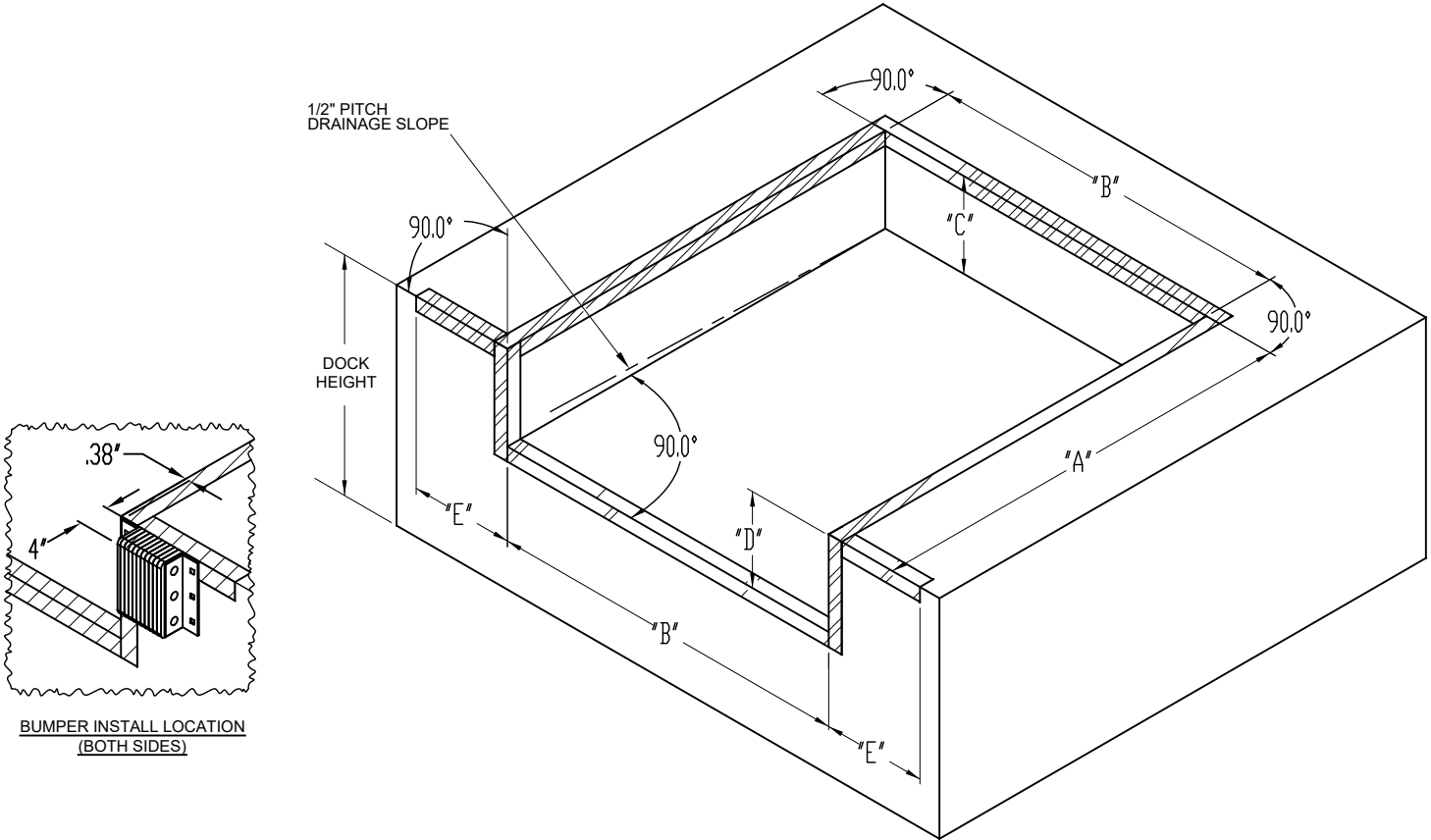


SPECIFICATIONS	
DOCK NUMBER	
DOOR WIDTH	
DOOR HEIGHT	
NOTES	



PIT DIMENSIONS				
DIMENSION DESCRIPTION	DIMENSION NAME	TOLERANCE	NOMINAL LEVELER SIZE	
			6"X8"	7"X8"
PIT LENGTH	"A"	-1/4" +0"	87"	87"
PIT WIDTH	"B"	±1/8"	74"	85"
PIT DEPTH (REAR)	"C"	±1/8"	19.5"	19.5"
PIT DEPTH (FRONT)	"D"	±1/8"	20"	20"
BUMPER CURB ANGLE LENGTH	"E"	±1/2"	18" MIN	18" MIN

PIT DRAWING	
PROJECT	
ARCHITECT	
CONTRACTOR	
DEALER	
PLANT	
DIST. DWG. NO.	DATE:
SHEET	BY:

