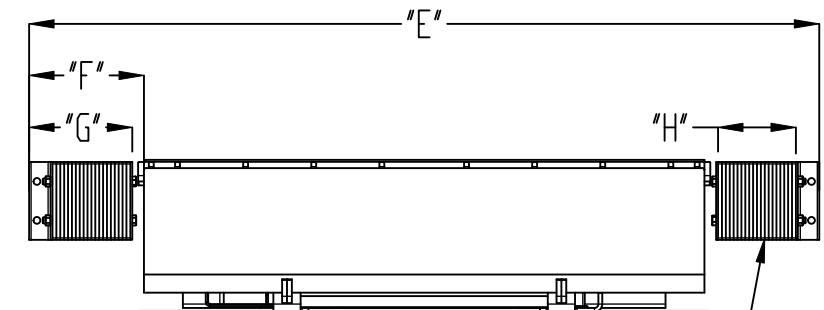
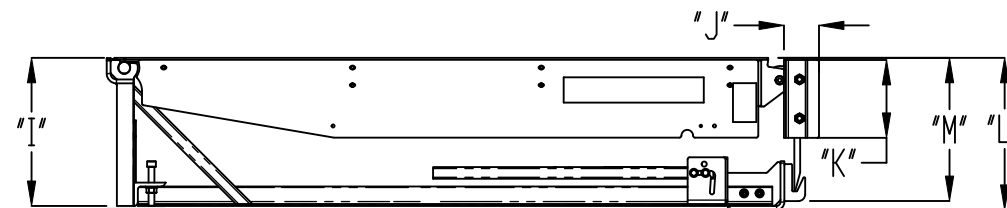
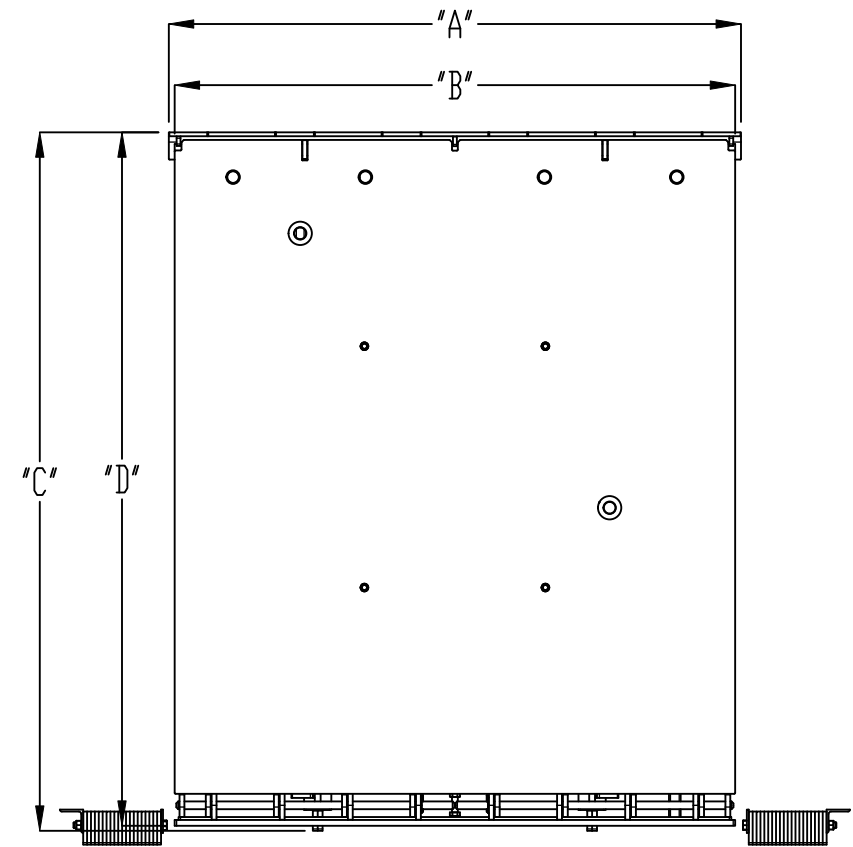
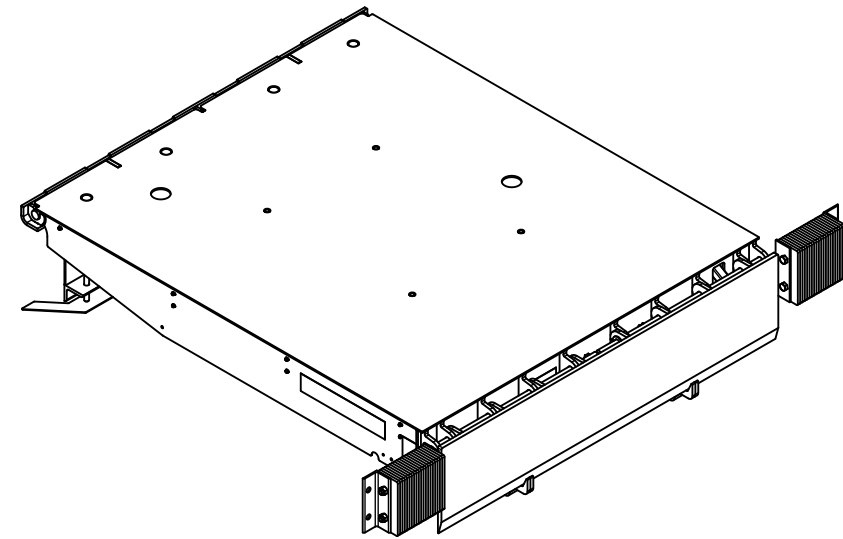


SPECIFICATIONS

DOCK NUMBER	
DOOR WIDTH	
DOOR HEIGHT	

NOTES



LIP SIZE	"M"
16"	18.5"
18"	20.5"
20"	22.5"

DOCK LEVELER DIMENSIONS												
NOMINAL LEVELER SIZE	"A"	"B"	"C"	"D"	"E"	"F"	"G"	"H"	"I"	"J"	"K"	"L"
6' X 8'	73.0"	72.0"	89.7"	89.1"	101.5"	14.8"	13.3"	10.0"	19.0"	4.5"	10.0"	19.3"
7' X 8'	84.0"	83.0"	89.7"	89.1"	112.5"	14.8"	13.3"	10.0"	19.0"	4.5"	10.0"	19.3"

DOCK LEVELER DIMENSIONS

PROJECT		
ARCHITECT		
CONTRACTOR		
DEALER		
PLANT		
DIST. DWG. NO.	DATE:	
SHEET	BY:	