

DALTONDOCK™ FOAM DOCK SHELTER



IMPACTABLE L-SHAPED COLUMNS AND ADJUSTABLE CURTAIN ACCOMMODATE MANY TRAILER SIZES

Impactable L-shaped columns hug the trailer to help seal out the weather. Along with the adjustable curtains, this shelter accommodates a wide variety of trailers with different widths and heights. It also provides access to the full width and height of the trailer.

ADJUSTABLE CURTAIN HEIGHTS

- Available with up to a 52" drop
- Full width steel tube that prevents curtain sagging
- With a rope and pulley assembly, the curtain adjusts to different trailer heights to help aid thermal efficiency. In lieu of curtain fabric, low temperature PVC strips can be ordered for cold weather applications

HIGH QUALITY CONSTRUCTION

- The fabric is double stitched with high strength polyester thread that has been UV treated for long term durability
- The columns have premium grade foam with full compression and recovery properties in temperatures as low as -40°F
- The fire resistant foam is continuously bonded to the backing with a non-flammable adhesive with elastic properties for long life
- Plated vent openings drain moisture and promote air circulation for compression in the vertical columns

FABRIC ADVANTAGES

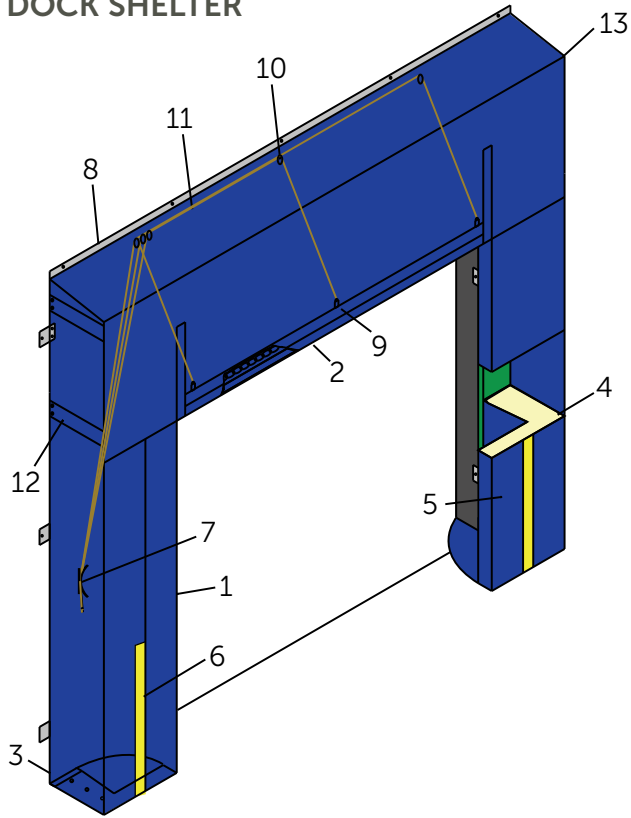
- Made of fire resistant fabric and available in multiple weights including a premium 40 oz fabric that has 6 times more abrasion resistance
- All fabrics are treated with UV protection to prevent fading

ADDITIONAL TRAILER IMPACT AND ABRASION PROTECTION

- Optional column wear pleats provide additional tearing and abrasion protection
- Heavy duty 66 oz. wear pleats on the top and bottom corners also available

1-Year Limited Warranty

FOAM DOCK SHELTER



- 1. Column
- 2. Adjustable curtain
- 3. Air vents
- 4. Polyurethane foam core
- 5. Cover fabric
- 6. Yellow guide stripe
- 7. Rope cleat
- 8. Curtain retaining bar
- 9. "D" rings
- 10. Pulleys
- 11. Rope
- 12. Curtain restraining straps
- 13. Steel tube



2501 S. State Hwy. 121 Bus., Ste 200
Lewisville, TX 75067

wayne-dalton.com



Dimensions	Standard	Optional
Column Height 10'9"	✓	
Column Height 10'10" to 12'		✓
Column Width Back 8" and Front 20"	✓	
Column Width Front up to 30"		✓
Shelter Width 11'4"	✓	
Curtain		
Full Width Steel Tube	✓	
30" Adjustable Curtain	✓	
Add drop up to 52"		✓
18" Fixed Curtain		✓
Add drop up to 52"		✓
Split Curtain - Adjustable 30" to 48"		✓
Split Curtain - Fixed 18" to 48"		✓
Split Curtain - Velcro (adjustable or fixed)		✓
30" PVC Curtain Strips		✓
Projection		
16" Projection	✓	
Projection (17" - 24")		✓
Projection Box 4"/6"/8"/10"/12"		✓
Taper Projection (16" - 24" top or bottom)		✓
Fabric Weight & Color		
22 oz (Black, Blue, Gray, Green, Brown)		✓
40 oz Regular (Black, Blue, Gray, Green, Red, Brown)		✓
40 oz Premium (Black)		✓
Additional Abrasion Protection		
Double layer of fabric on impact area of columns (same weight/color available as above)		✓
Scuff Guards (40 oz Regular, Black)		✓
Wear Pleats 4"/8"/16" Exposure (same weight/color available as above)		✓
Heavy Duty 66 oz Top and Bottom Corner Pleats 4" exposure (Black, Orange, Blue)		✓
Frame		
Treated Lumber	✓	
Galvanized Steel		✓
Draft Control		
2 Bottom Draft Flaps	✓	
Guide Stripes		
24" High	✓	
Full Height		✓
Mounting		
Galvanized Mounting Hardware	✓	